



US00D822381S

(12) **United States Design Patent** (10) **Patent No.:** **US D822,381 S**
Song (45) **Date of Patent:** **** Jul. 10, 2018**

(54) **POCKET HOLSTER**
 (71) Applicant: **Jean Song**, Crystal Lake, IL (US)
 (72) Inventor: **Jean Song**, Crystal Lake, IL (US)
 (**) Term: **15 Years**
 (21) Appl. No.: **29/609,620**
 (22) Filed: **Jul. 3, 2017**
 (51) **LOC (11) Cl.** **03-01**
 (52) **U.S. Cl.**
 USPC **D3/222**
 (58) **Field of Classification Search**
 USPC D3/222-223; 224/191-193, 198, 238,
 224/243-245, 581-583, 624, 674-675,
 224/607, 587, 677, 911-912
 CPC .. F41C 33/02; F41C 33/0209; F41C 33/0227;
 F41C 33/0236; F41C 33/041; Y10S
 224/911; A45F 3/14
 See application file for complete search history.

(56) **References Cited**
 U.S. PATENT DOCUMENTS
 3,583,612 A * 6/1971 Theodore F41C 33/0227
 224/243
 4,577,787 A * 3/1986 Hersey F41C 33/0236
 224/192
 4,741,465 A * 5/1988 Johnson F41C 33/0209
 224/230
 D331,497 S * 12/1992 Dixon D3/222
 5,265,781 A * 11/1993 Nichols F41C 33/0227
 224/197

(Continued)

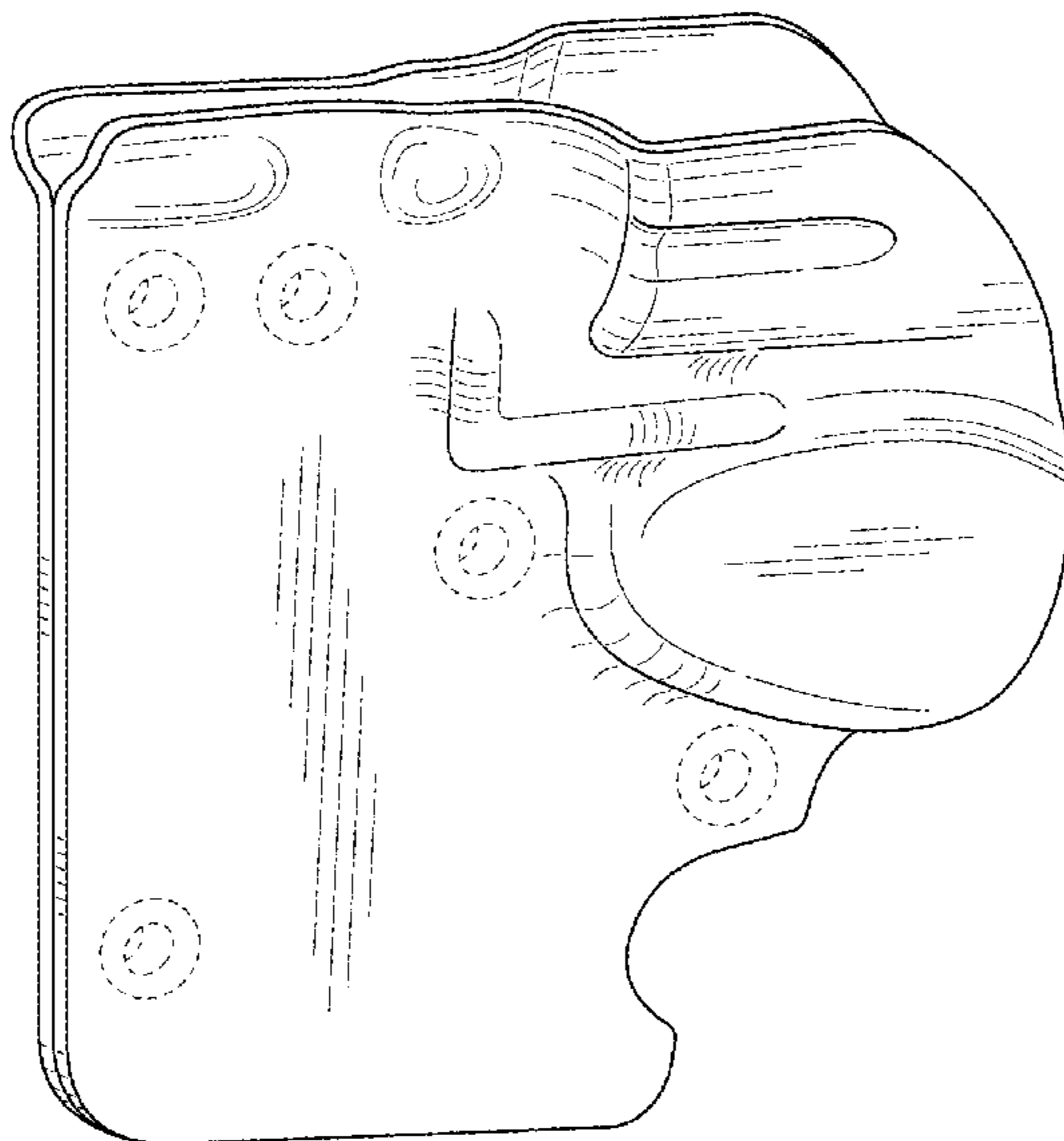
Primary Examiner — Catherine R Oliver-Garcia
 (74) *Attorney, Agent, or Firm* — Underwood &
 Associates, LLC

(57) **CLAIM**
 The ornamental design for a pocket holster, as shown and
 described.

DESCRIPTION

FIG. 1 is a perspective view of a first embodiment of a
 pocket holster showing my new design;
 FIG. 2 is a perspective view of the pocket holster of FIG. 1
 engaged with a SMITH AND WESSON® J-FRAME model
 pistol;
 FIG. 3 is a rear elevational view thereof;
 FIG. 4 is a front elevational view thereof;
 FIG. 5 is a left elevational view thereof;
 FIG. 6 is a right elevational view thereof;
 FIG. 7 is a top plan view thereof;
 FIG. 8 is a bottom plan view thereof;
 FIG. 9 is an environmental view of the pocket holster shown
 in use; and,
 FIG. 10 is a left elevational view of a second embodiment
 of my pocket holster design.
 The circular eyelets and all other broken line environment
 depicts structure that is for illustrative purposes only and
 forms no part of the claimed design.
 The right elevational view of the second embodiment of my
 pocket holster design is a mirror image of the left elevational
 view as shown in FIG. 10. The top plan, bottom plan, rear
 elevational and front elevational views of the second pocket
 holster embodiment are equivalent to the top plan, bottom
 plan, rear elevational and front elevational views shown for
 the first pocket holster embodiment, except for slight dif-
 ference in proportion with respect to the trigger guard
 receptacle feature that receives the trigger guard of the pistol
 and the cylinder receptacle that receives the cylinder of the
 pistol. The text in FIG. 10 is for informative purposes and
 forms no part of the claimed design. The design of the
 second embodiment is such that the pocket holster can
 receive a RUGER® LCR pistol in the same manner that the
 first embodiment can receive a SMITH & WESSON®
 J-FRAME model pistol as heretofore described and illus-
 trated in FIG. 2.

1 Claim, 6 Drawing Sheets



(56)

References Cited

U.S. PATENT DOCUMENTS

5,622,295 A * 4/1997 Hellweg F41C 33/0236
224/193
5,931,358 A * 8/1999 Rogers F41C 33/02
224/243
D776,918 S * 1/2017 Madrid D3/222

* cited by examiner

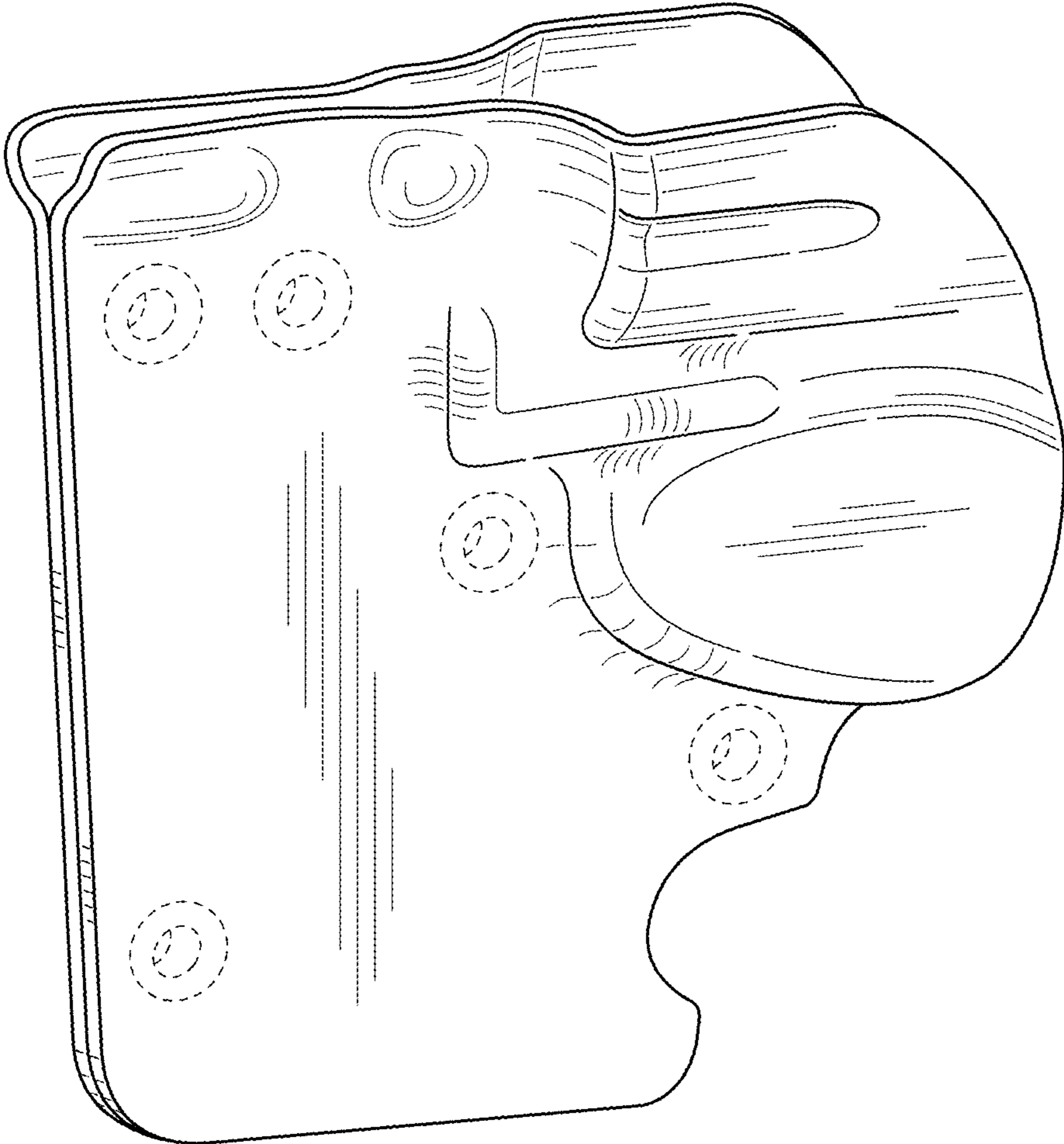


FIG. 1

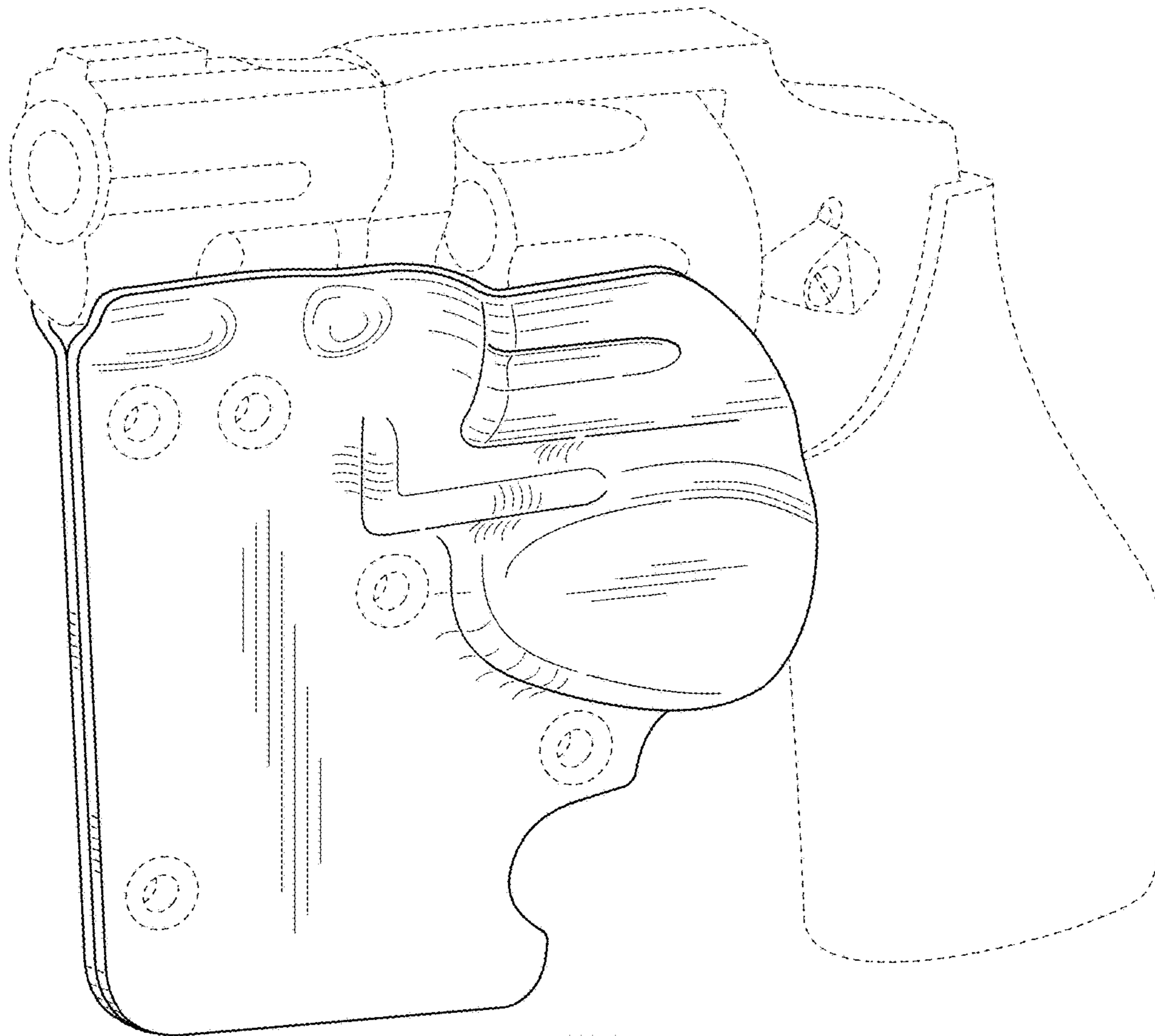


FIG. 2

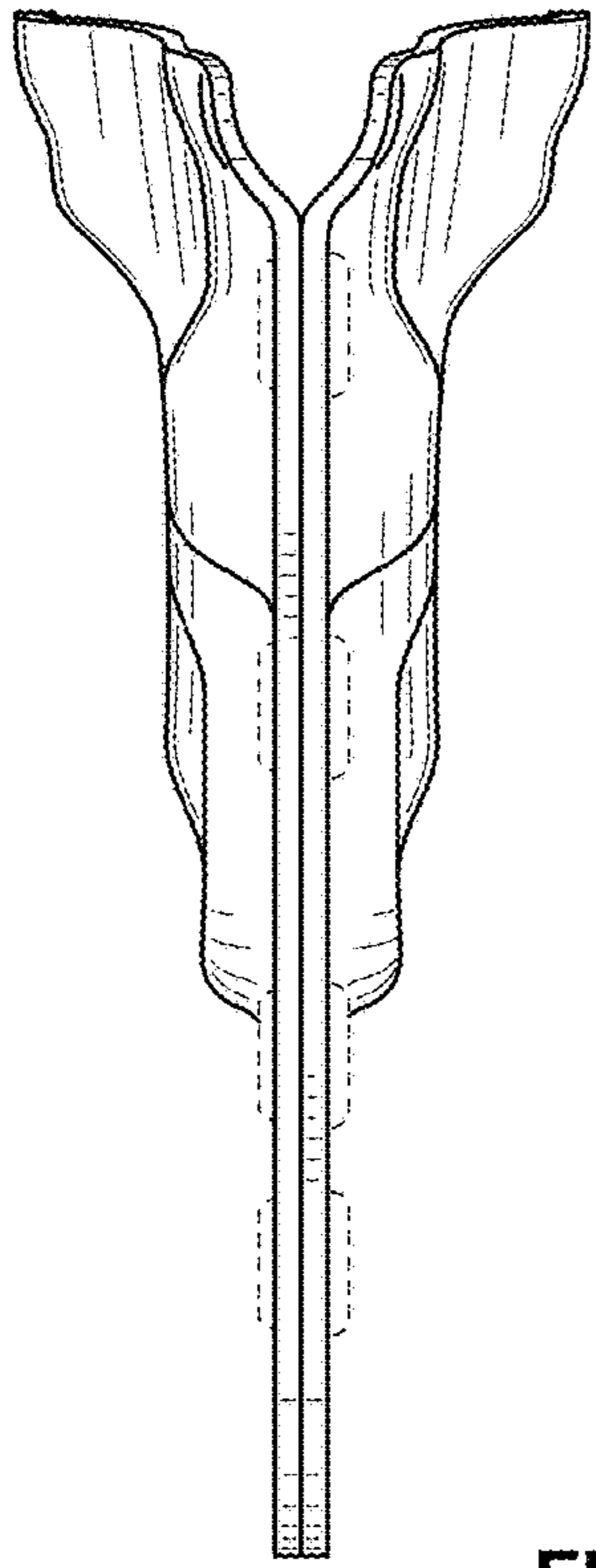


FIG. 3

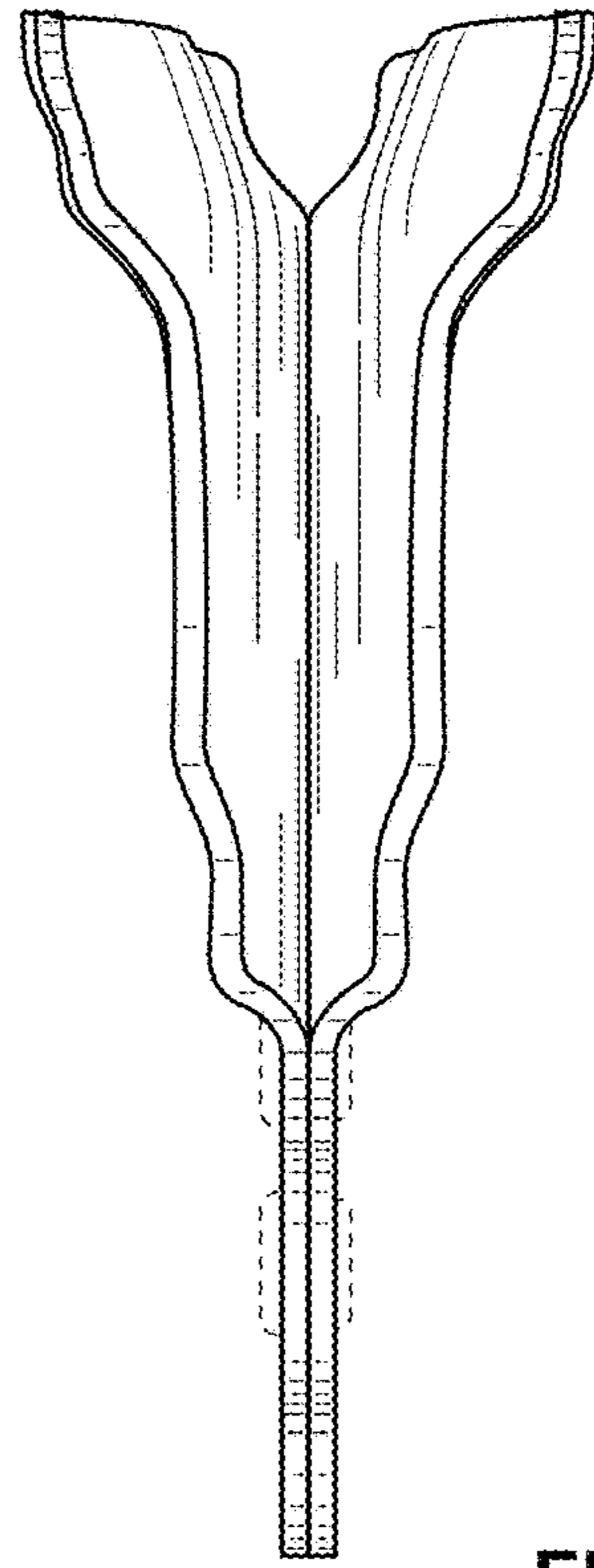


FIG. 4

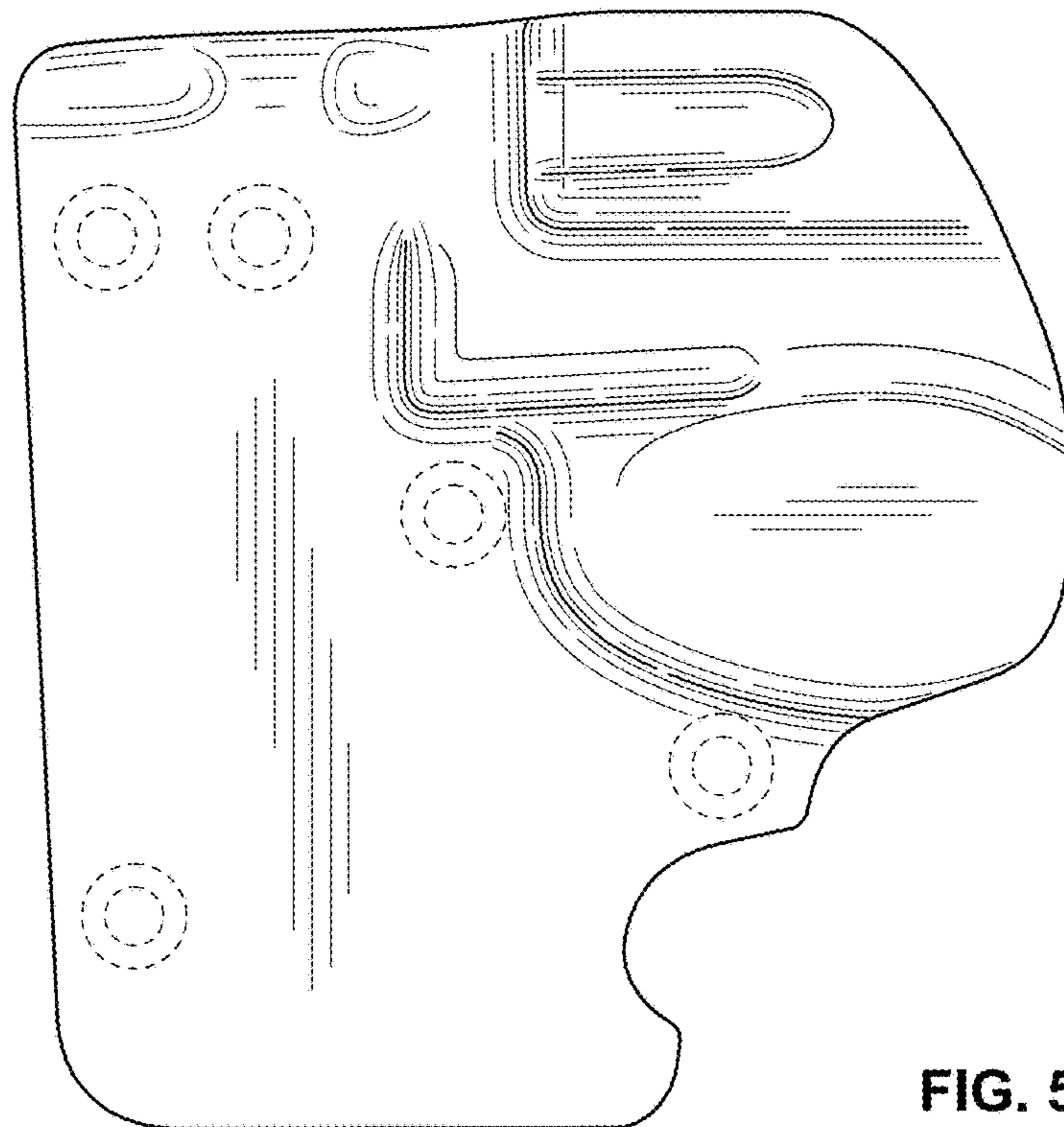


FIG. 5

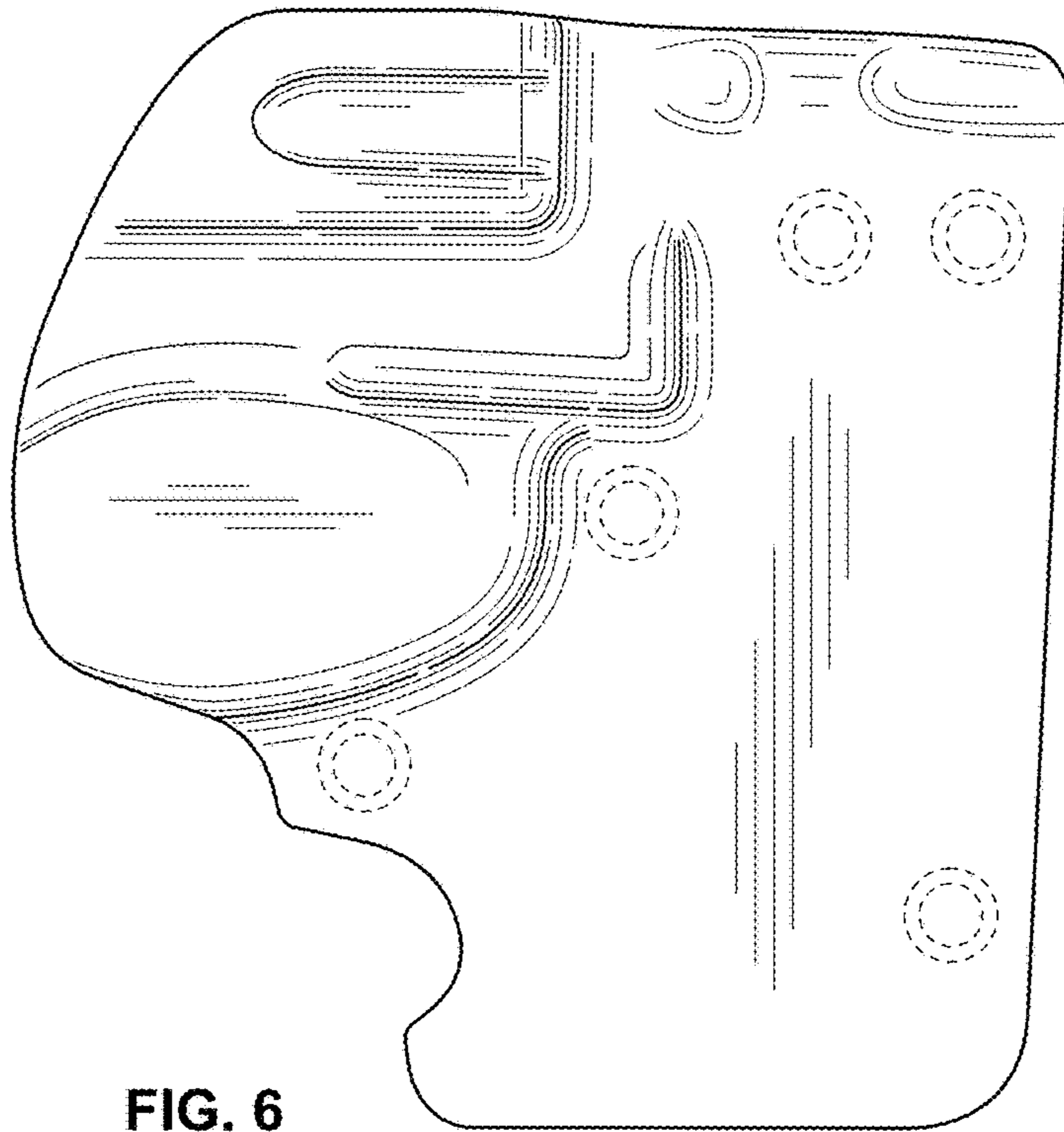


FIG. 6

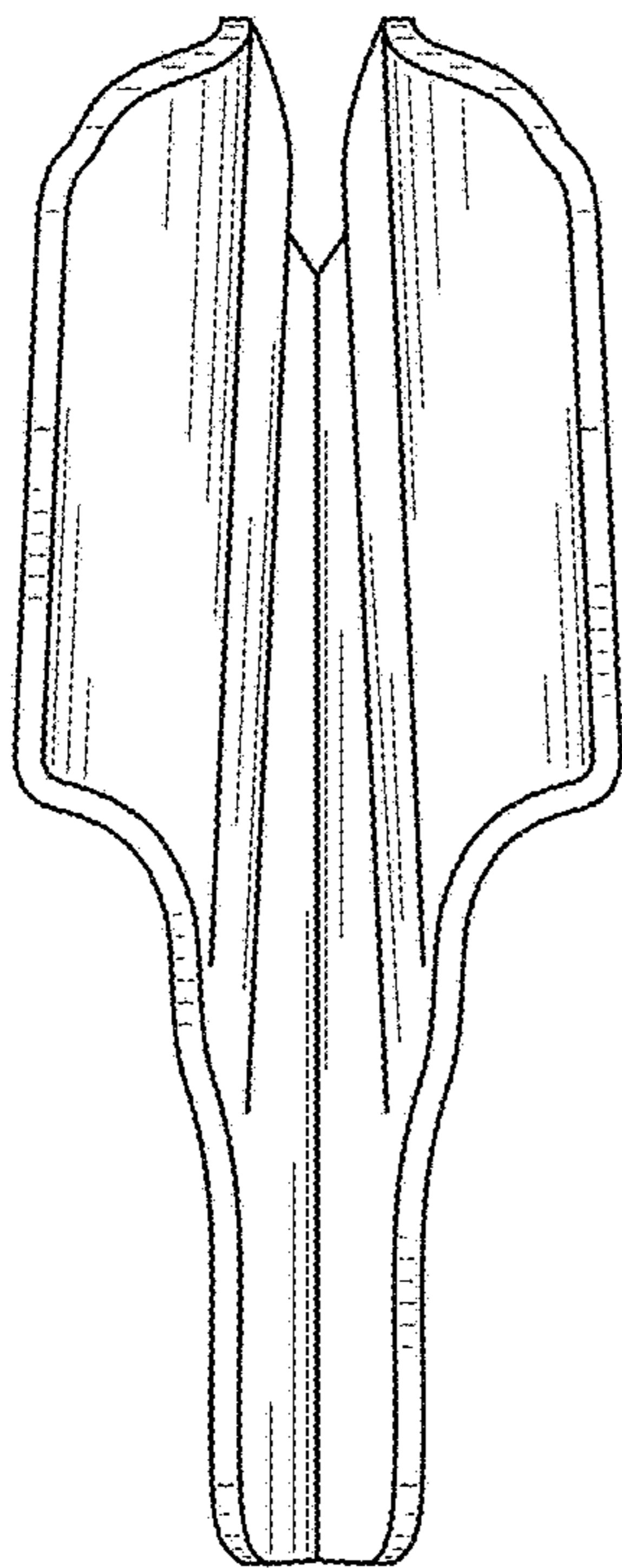


FIG. 7

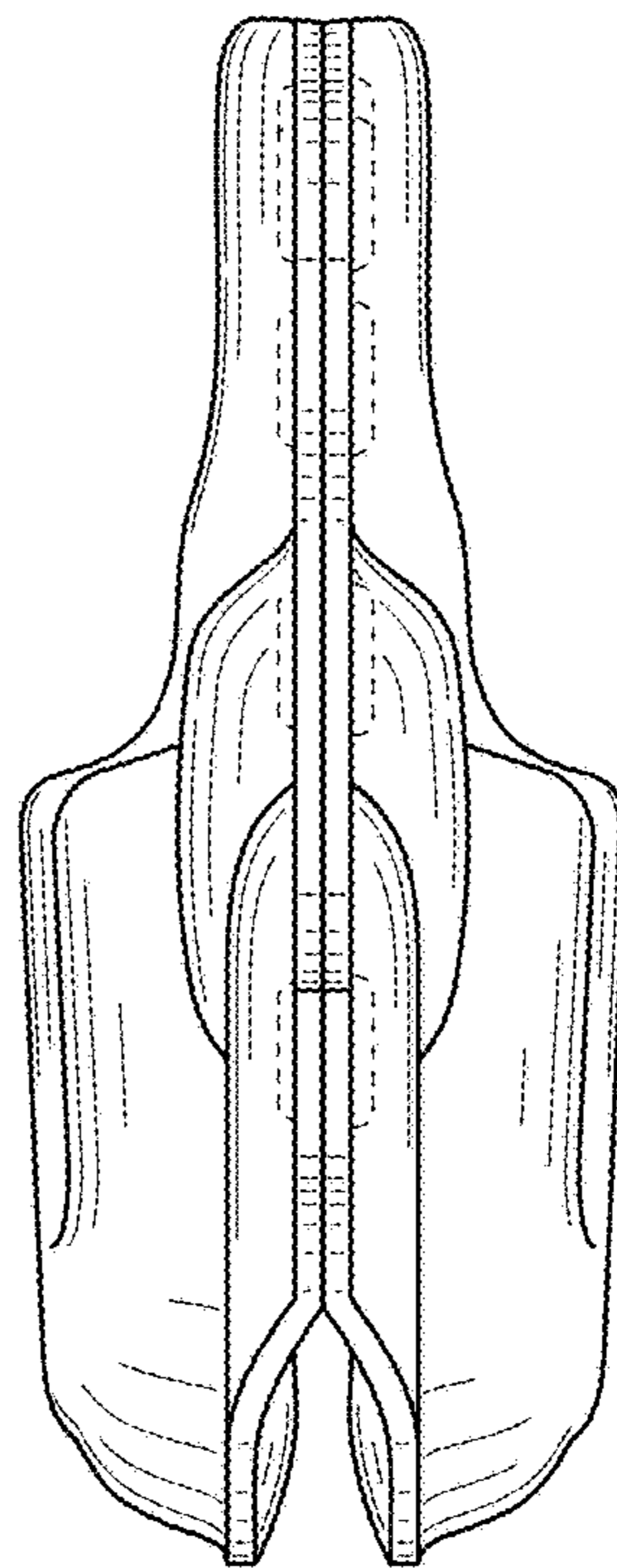


FIG. 8

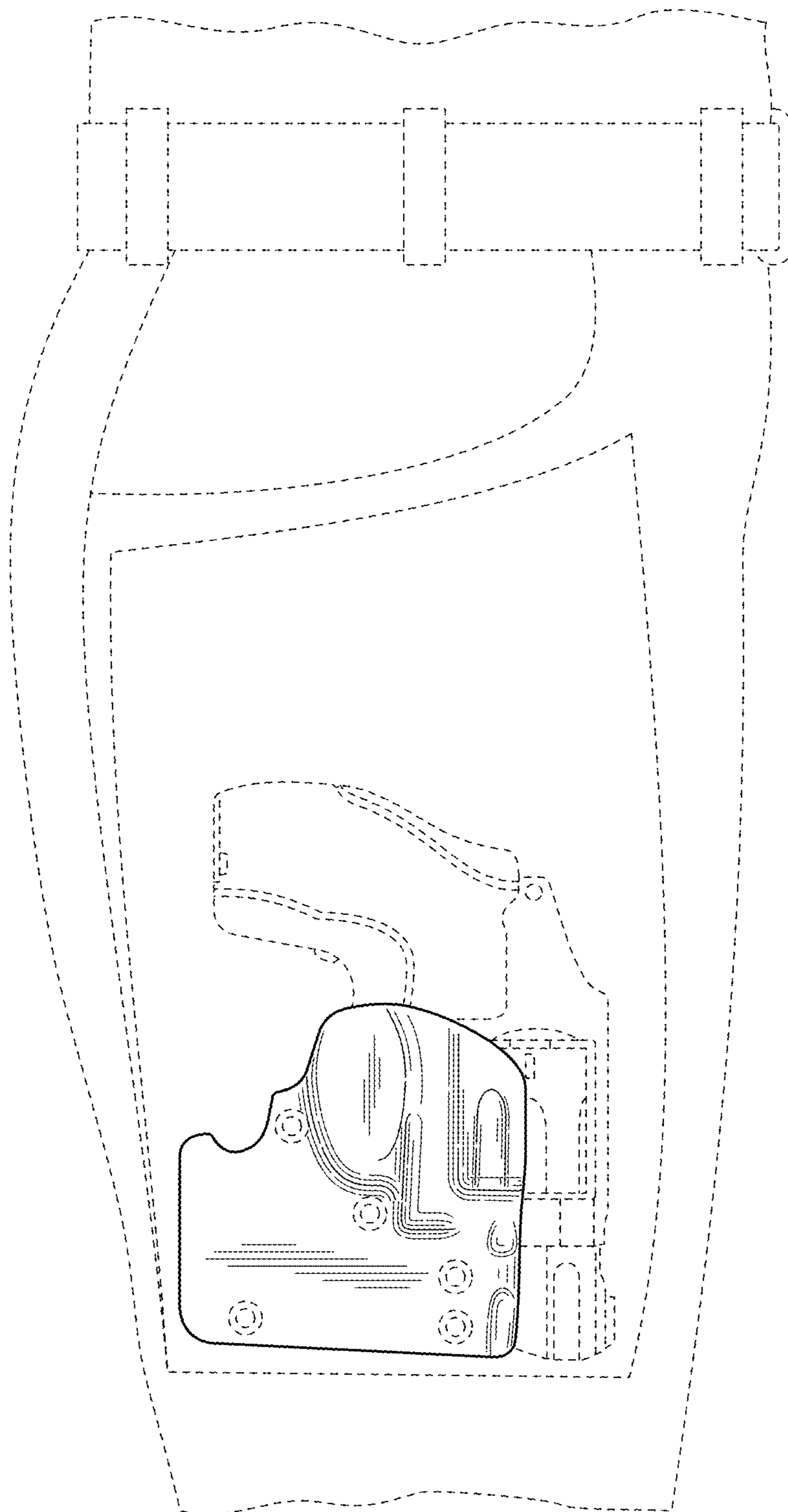


FIG. 9

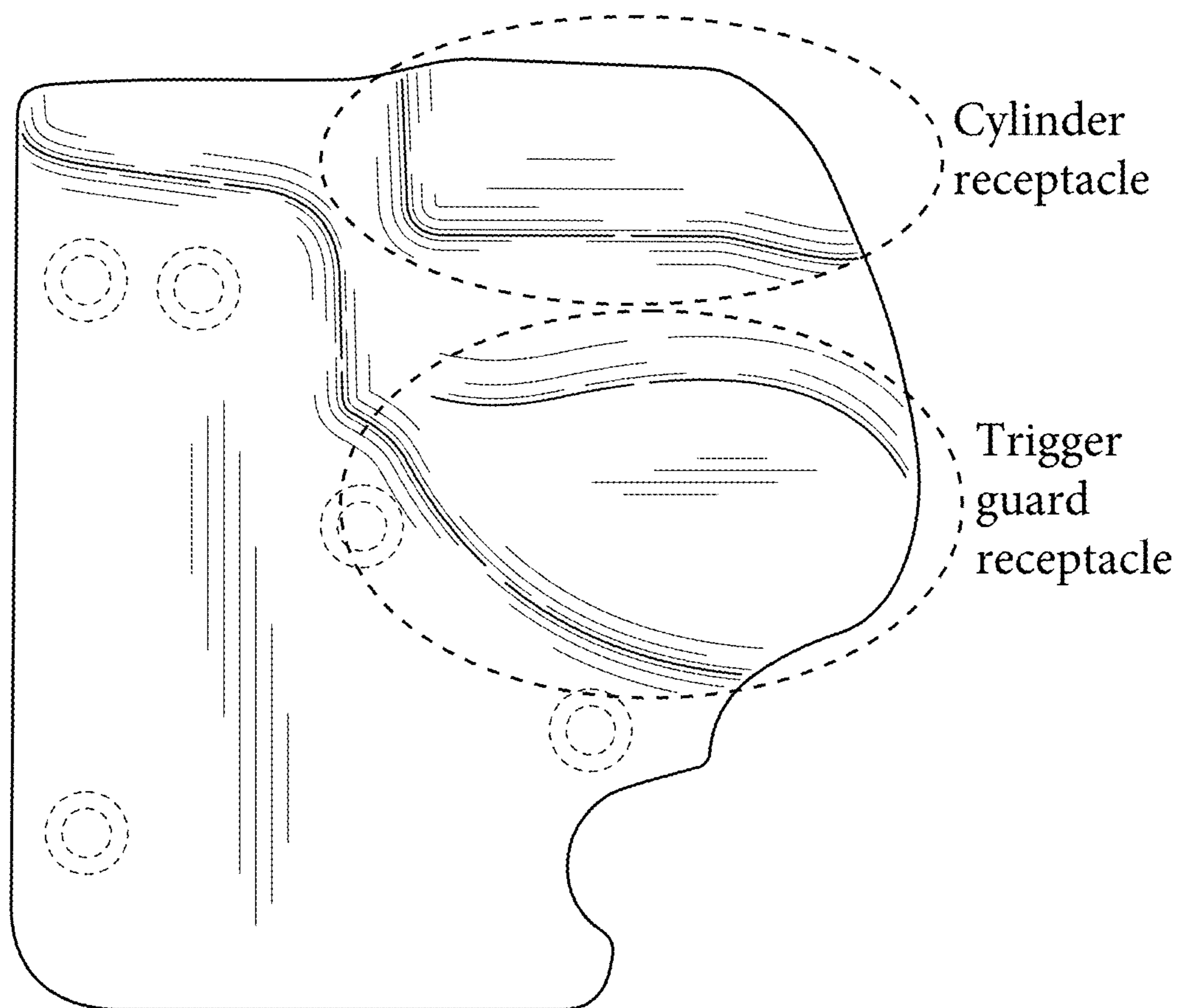


FIG. 10