



US00D822379S

(12) **United States Design Patent**
Li

(10) **Patent No.:** **US D822,379 S**
(45) **Date of Patent:** **** Jul. 10, 2018**

(54) **HOLDER FOR PORTABLE ELECTRONIC DEVICE**

(71) Applicant: **GETAC TECHNOLOGY CORPORATION**, Hsinchu County (TW)

(72) Inventor: **Chun-Hsing Li**, Taipei (TW)

(73) Assignee: **GETAC TECHNOLOGY CORPORATION**, Hsinchu County (TW)

(**) Term: **15 Years**

(21) Appl. No.: **29/571,012**

(22) Filed: **Jul. 13, 2016**

(51) **LOC (11) Cl.** **03-01**

(52) **U.S. Cl.**
USPC **D3/218; D14/447; D14/253; D16/242; D16/245**

(58) **Field of Classification Search**
USPC D14/251, 252, 253, 447, 452, 248; D16/242, 245; D3/218, 219, 215, 201, D3/269, 247
CPC F16M 13/022; H04M 1/02
See application file for complete search history.

(56) **References Cited**

U.S. PATENT DOCUMENTS

D240,094 S * 6/1976 Linn 224/255
D267,050 S * 11/1982 Ostrom D16/219
D301,395 S * 6/1989 Meldrum 224/267
5,584,423 A * 12/1996 Wang A45F 5/021
224/197
D478,418 S * 8/2003 Badillo A45F 5/02
D3/218
D589,998 S * 4/2009 Ollila D16/242

D606,739 S * 12/2009 Fahrendorff D3/218
D621,865 S * 8/2010 Chidester D16/245
D628,615 S * 12/2010 Siegel D16/237
D685,991 S * 7/2013 Pearce D3/218
D712,394 S * 9/2014 Booth D14/253
D768,121 S * 10/2016 Ormsbee D14/250
D768,755 S * 10/2016 Thomas D16/242
D770,168 S * 11/2016 Patulski D3/215
D773,783 S * 12/2016 Patulski D2/853
D773,784 S * 12/2016 Patulski D2/853
D773,785 S * 12/2016 Patulski D2/853
D773,786 S * 12/2016 Patulski D2/853
D795,265 S * 8/2017 Li D14/447
D798,367 S * 9/2017 Nakajima D16/242
D798,370 S * 9/2017 Nakajima D16/245
D813,529 S * 3/2018 Li D3/218

* cited by examiner

Primary Examiner — Janice Hallmark

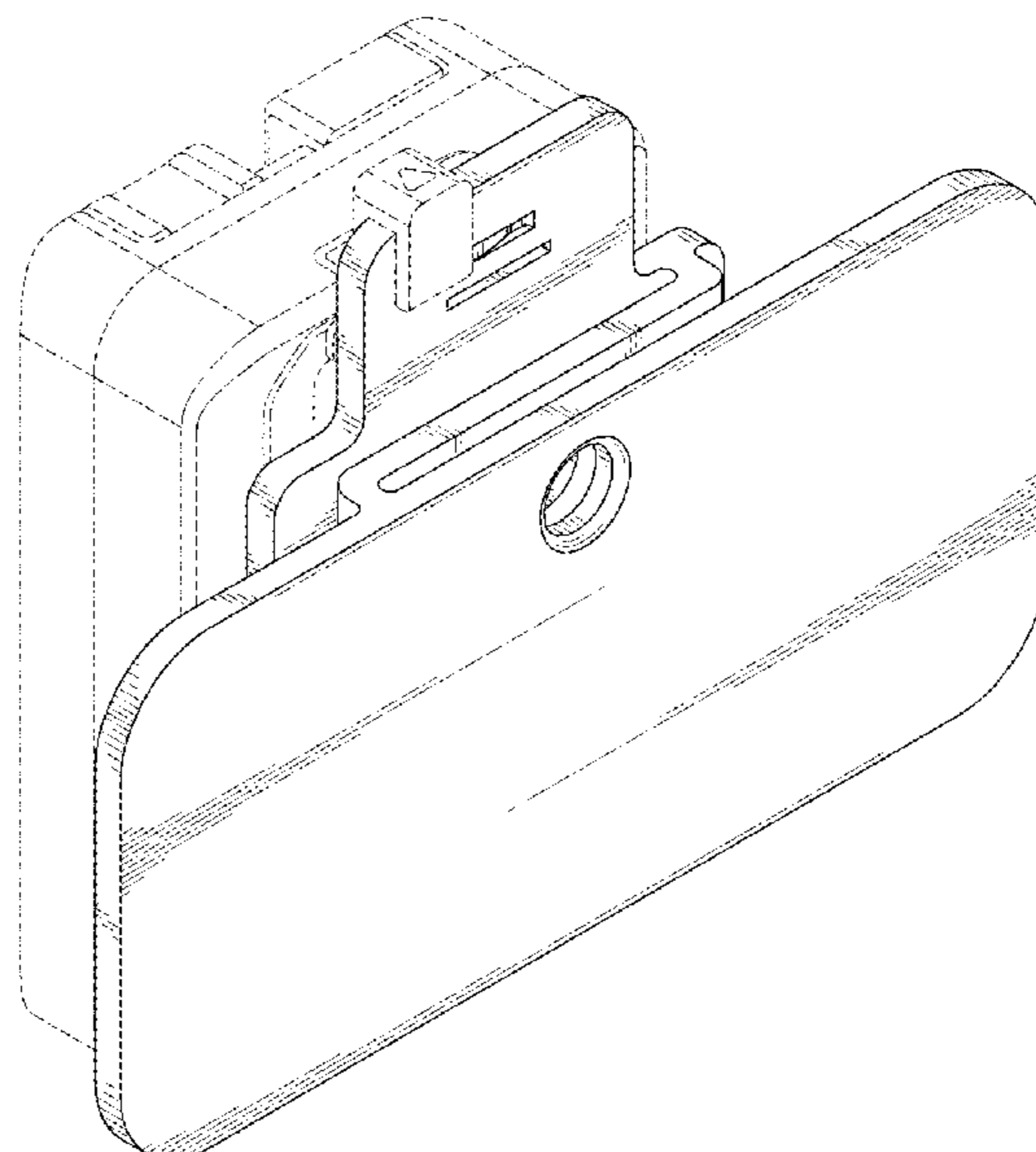
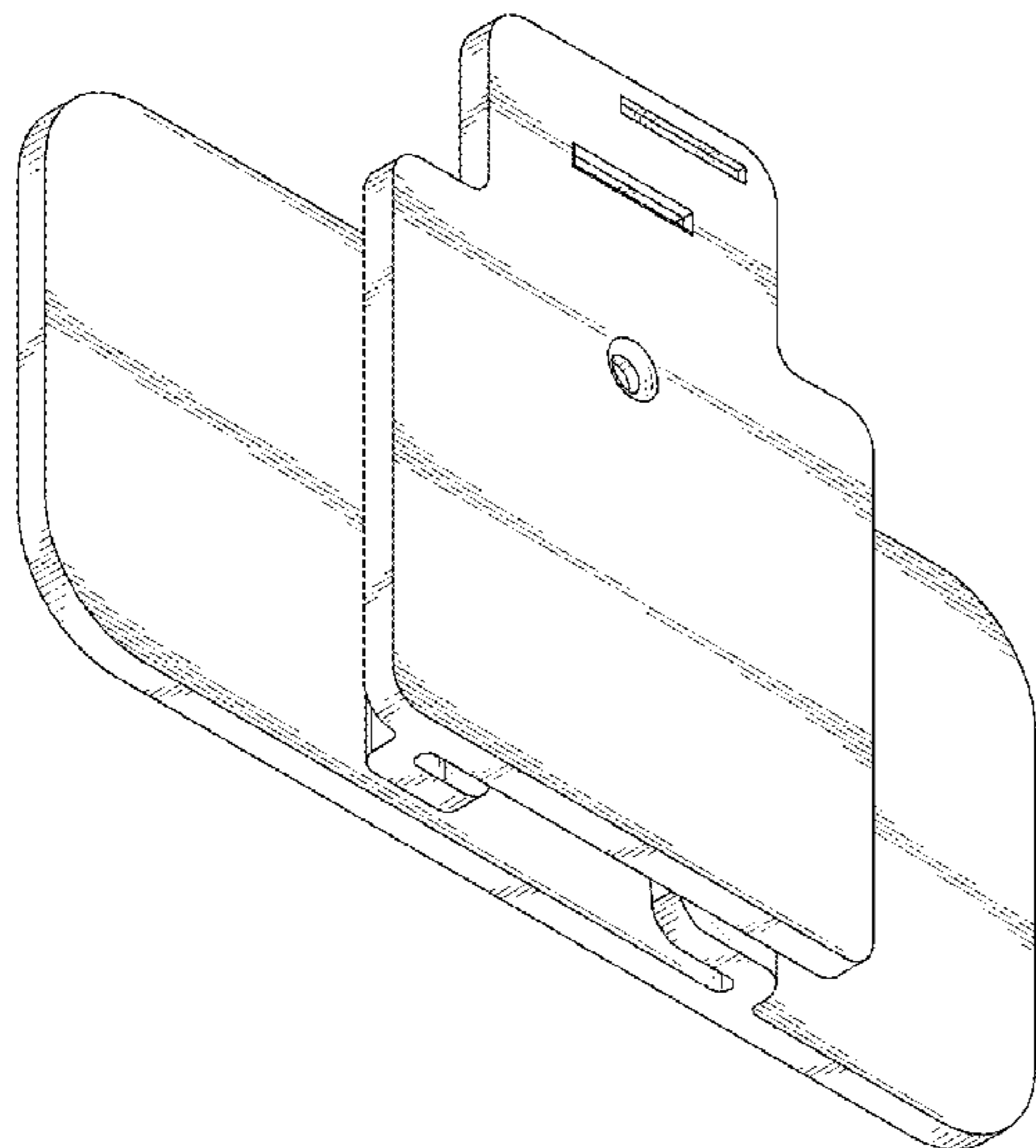
(57) **CLAIM**

The ornamental design is for a holder for portable electronic device, as shown and described.

DESCRIPTION

FIG. 1 is a top front left perspective view showing my new design;
FIG. 2 is a bottom rear right perspective view of my new design;
FIG. 3 is a front view thereof;
FIG. 4 is a rear view thereof;
FIG. 5 is a left side view thereof;
FIG. 6 is a right side view thereof;
FIG. 7 is a top view thereof;
FIG. 8 is a bottom view thereof; and,
FIG. 9 is a reference perspective view of my new design installed on a portable electronic device.
The broken lines in the drawings depict environmental subject matter only and form no part of the claimed design.

1 Claim, 6 Drawing Sheets



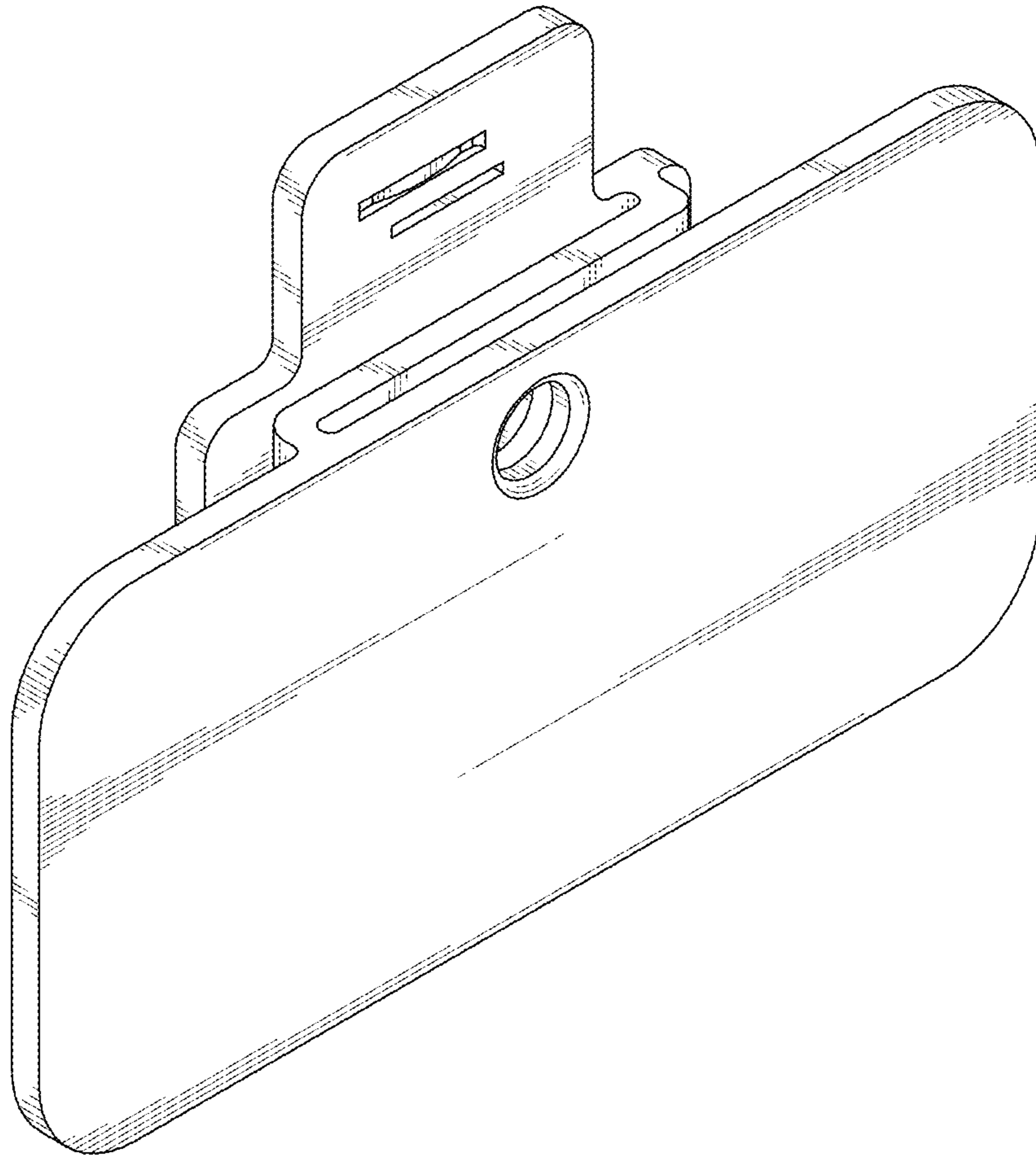


FIG. 1

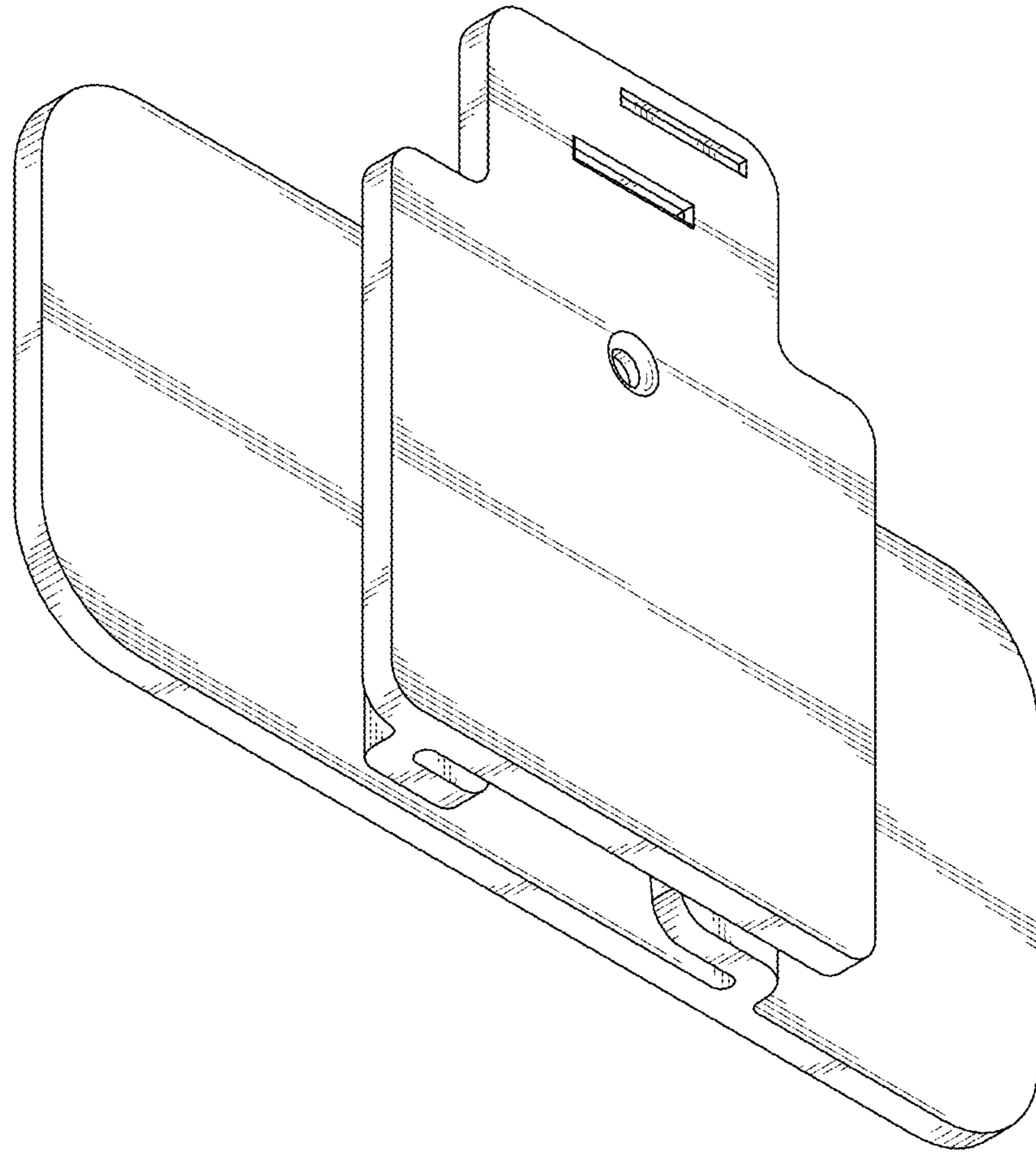


FIG. 2

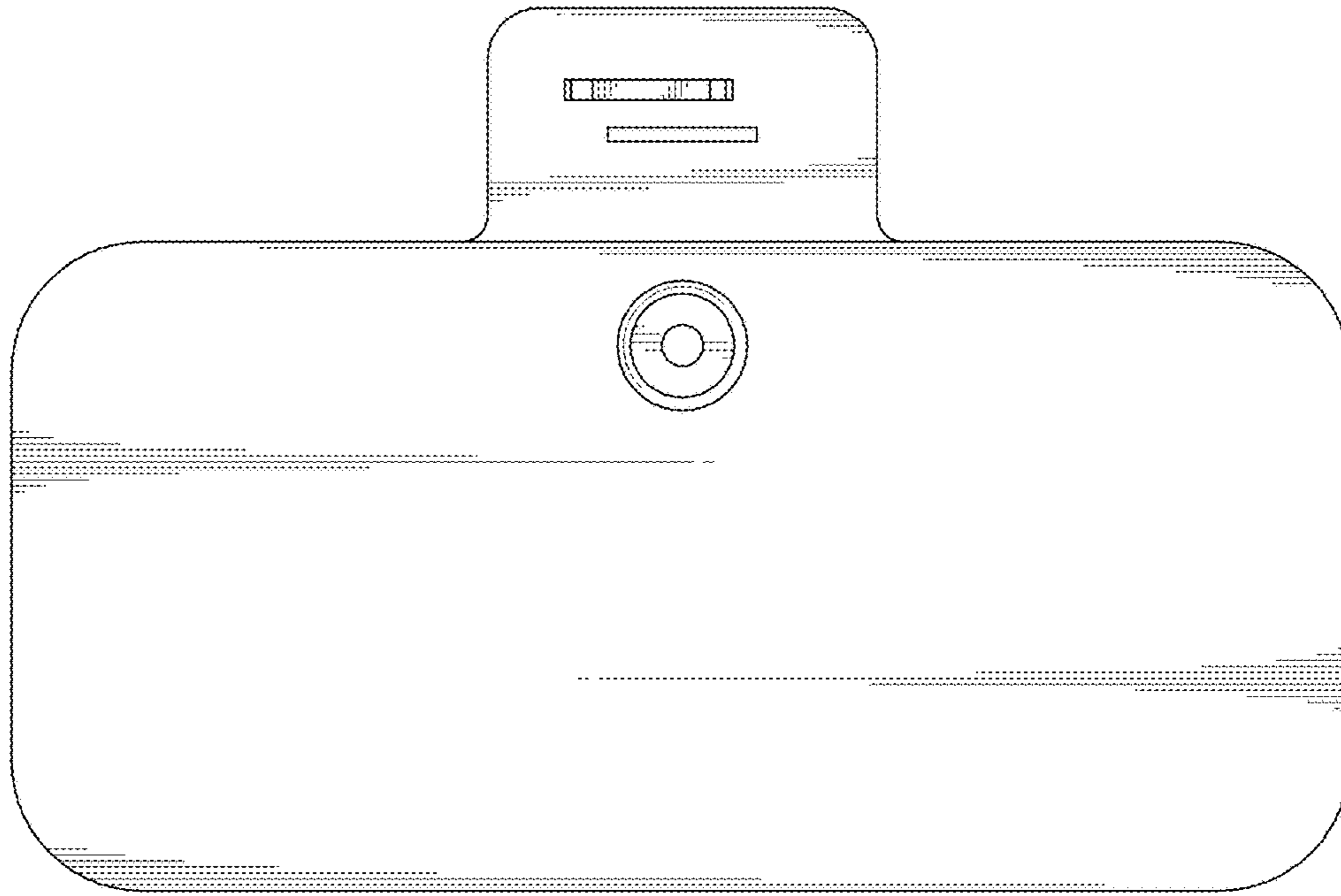


FIG. 3

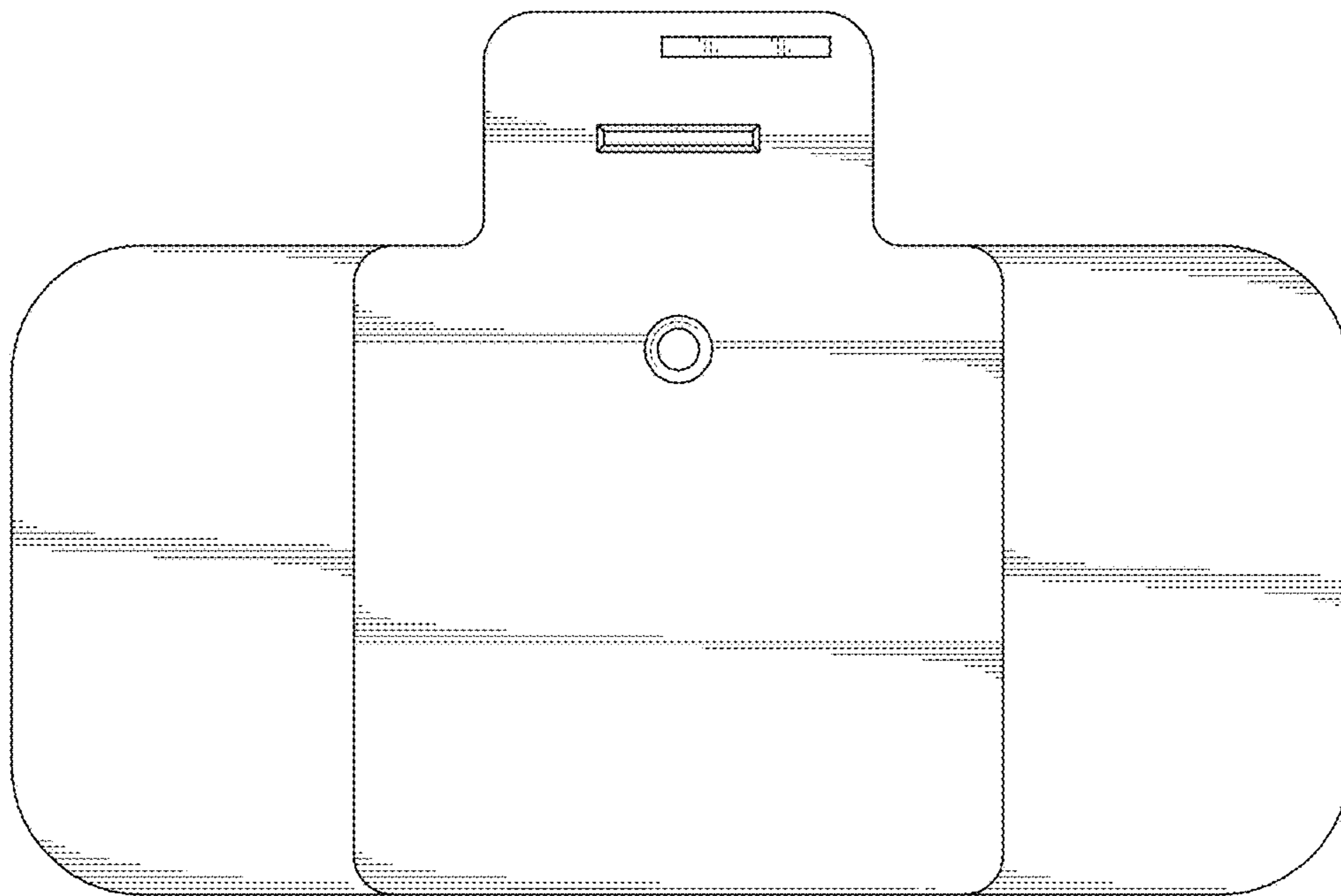


FIG. 4

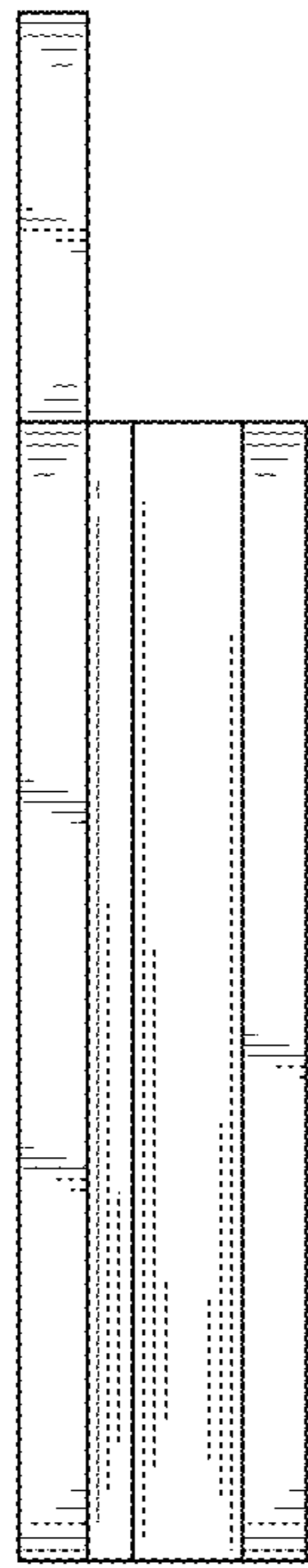


FIG. 5

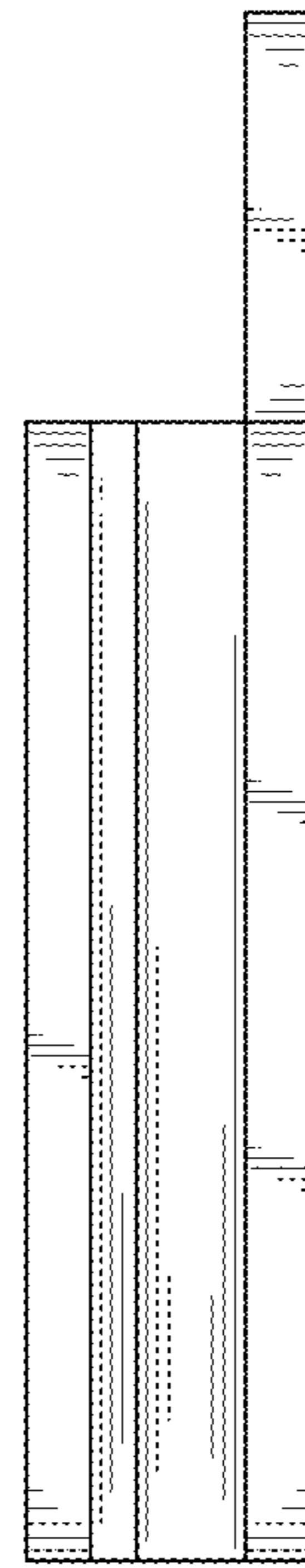


FIG. 6

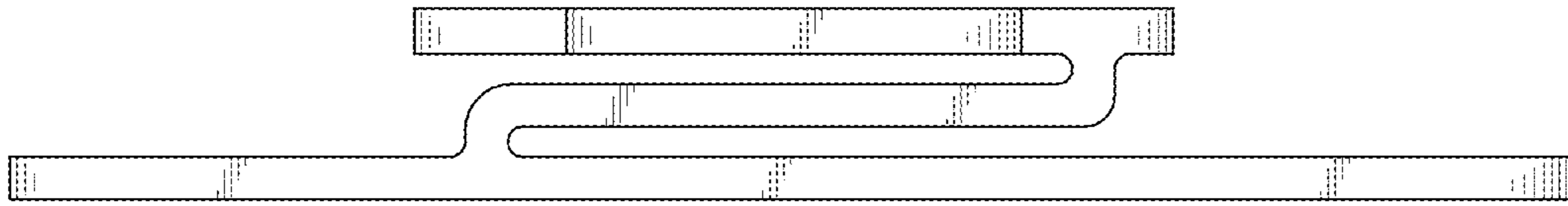


FIG. 7

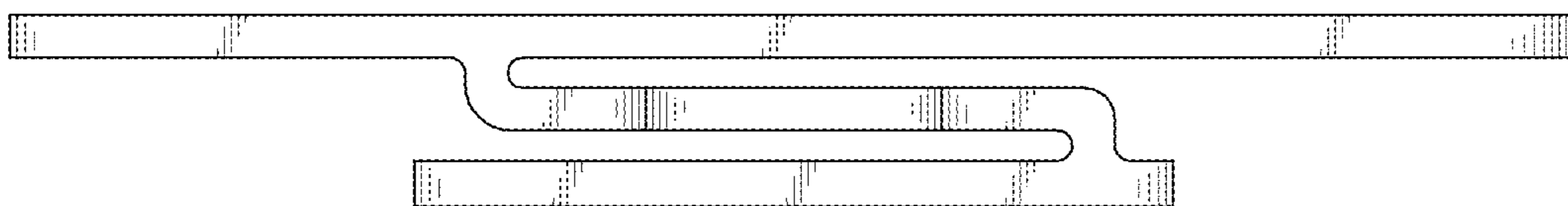


FIG. 8

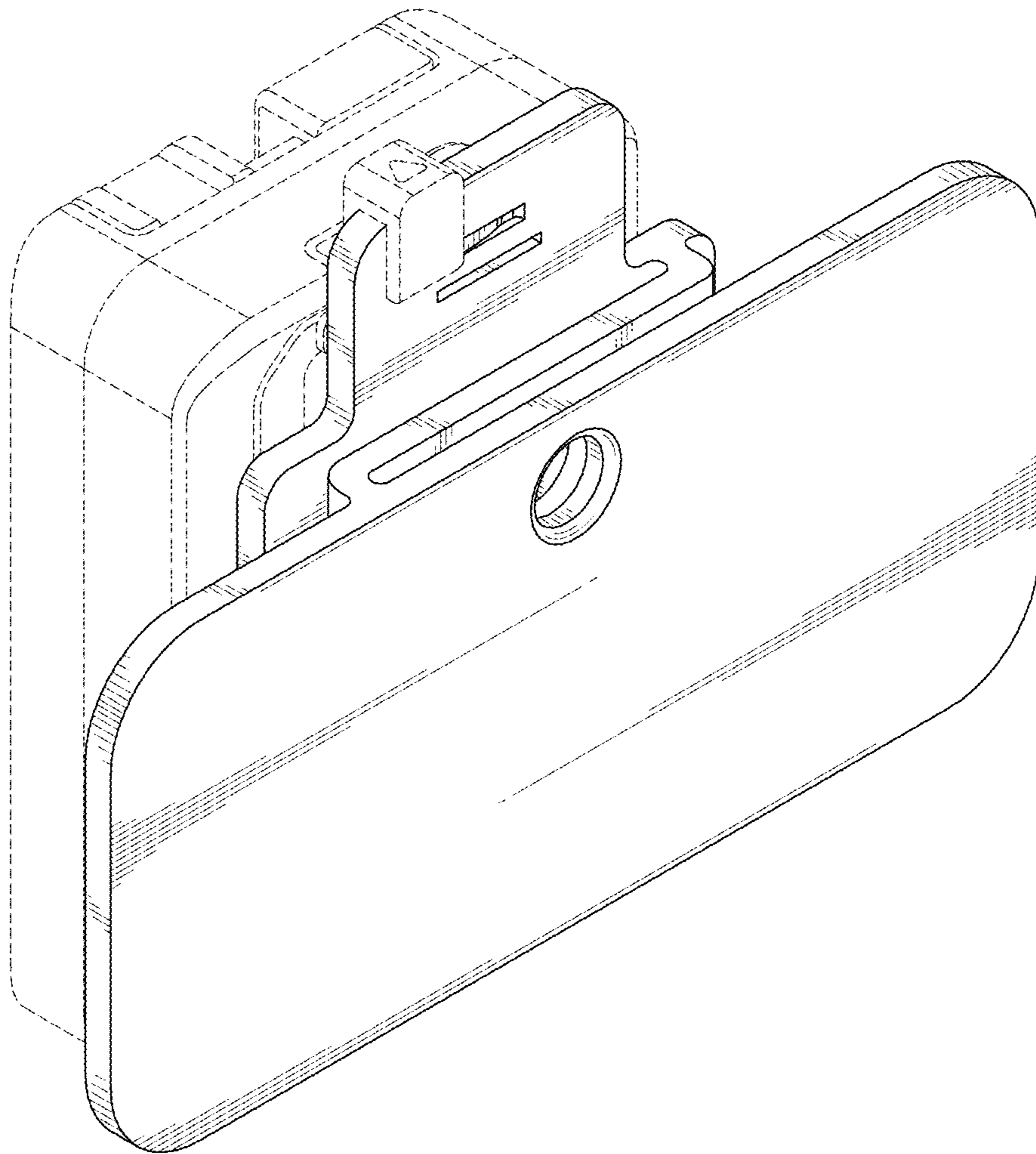


FIG. 9