



US00D822378S

(12) **United States Design Patent**
Franek

(10) **Patent No.:** **US D822,378 S**

(45) **Date of Patent:** **** Jul. 10, 2018**

(54) **RUCKSACK**

(71) Applicant: **Jan Franek**, Jona (CH)

(72) Inventor: **Jan Franek**, Jona (CH)

(**) Term: **15 Years**

(21) Appl. No.: **35/501,282**

(22) Filed: **Jan. 25, 2016**

(80) **Hague Agreement Data**

Int. Filing Date: **Jan. 25, 2016**

Int. Reg. No.: **DM/089289**

Int. Reg. Date: **Jan. 25, 2016**

Int. Reg. Pub. Date: **Jul. 29, 2016**

(51) **LOC (11) Cl.** **03-01**

(52) **U.S. Cl.**
USPC **D3/216**

(58) **Field of Classification Search**
USPC D3/201, 202, 213, 214, 215, 216, 217,
D3/218, 231, 232, 244, 267, 273, 298,
D3/290, 303; D32/36; D7/607
CPC A45F 3/04; A45F 3/042; A45F 3/08; A45F
3/10; A45F 3/14; A45F 4/02; A45F 4/08;
A45F 2200/05; A45F 2200/0525; A45C
13/08; A45C 13/083

See application file for complete search history.

(56) **References Cited**

U.S. PATENT DOCUMENTS

D220,414 S * 4/1971 Marshall 493/225
D472,047 S * 3/2003 Vazquez D3/244

D630,427 S * 1/2011 McGuire D3/216
D699,031 S * 2/2014 Clavette D3/216
D699,941 S * 2/2014 Robert D3/216
D704,437 S * 5/2014 Di Meglio D3/244
D759,370 S * 6/2016 Godzich D3/216
D764,873 S * 8/2016 Collie D7/607
D778,595 S * 2/2017 Zurowski D3/214
D781,049 S * 3/2017 Kemp D3/216

* cited by examiner

Primary Examiner — Manpreet S Matharu

Assistant Examiner — Holly E Thurman

(57) **CLAIM**

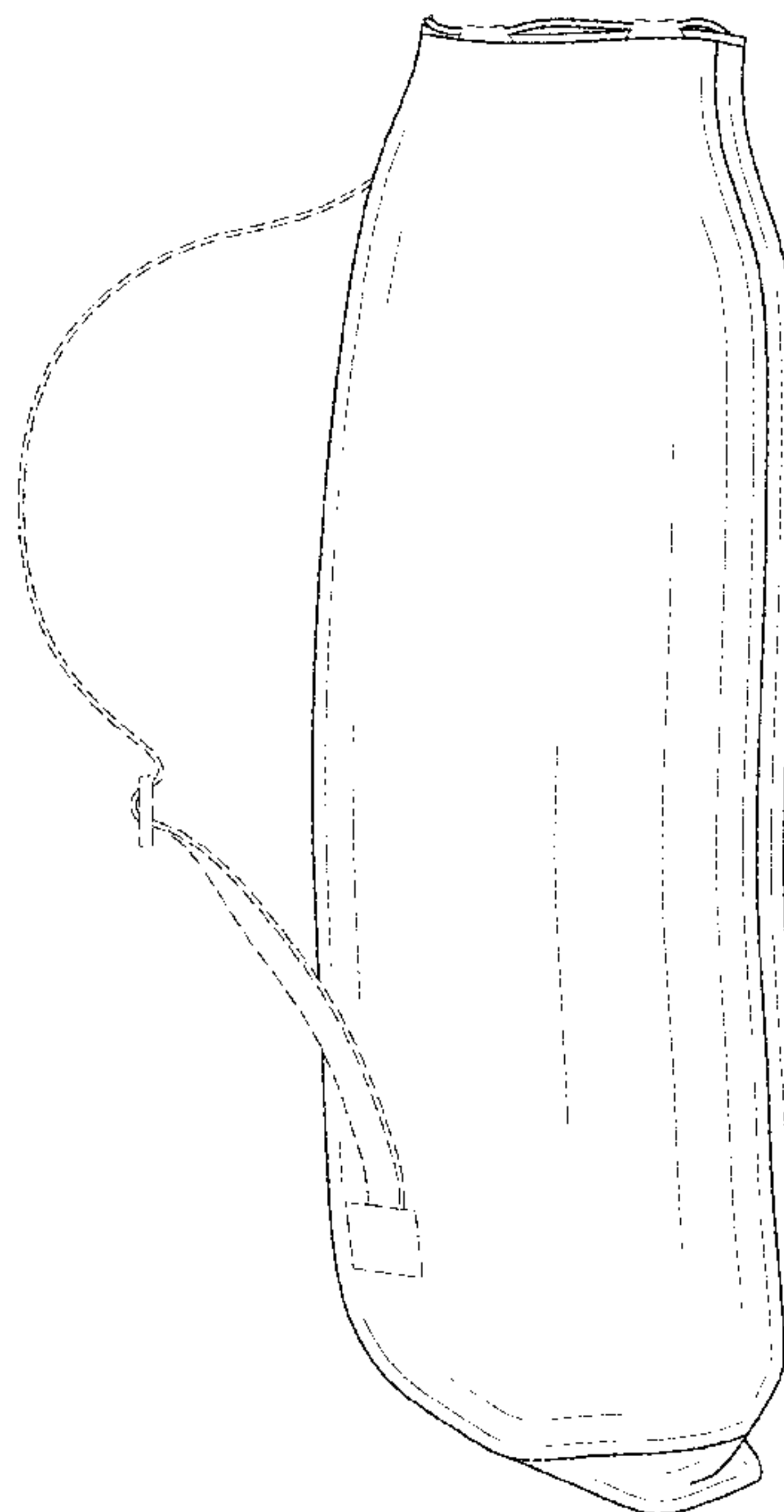
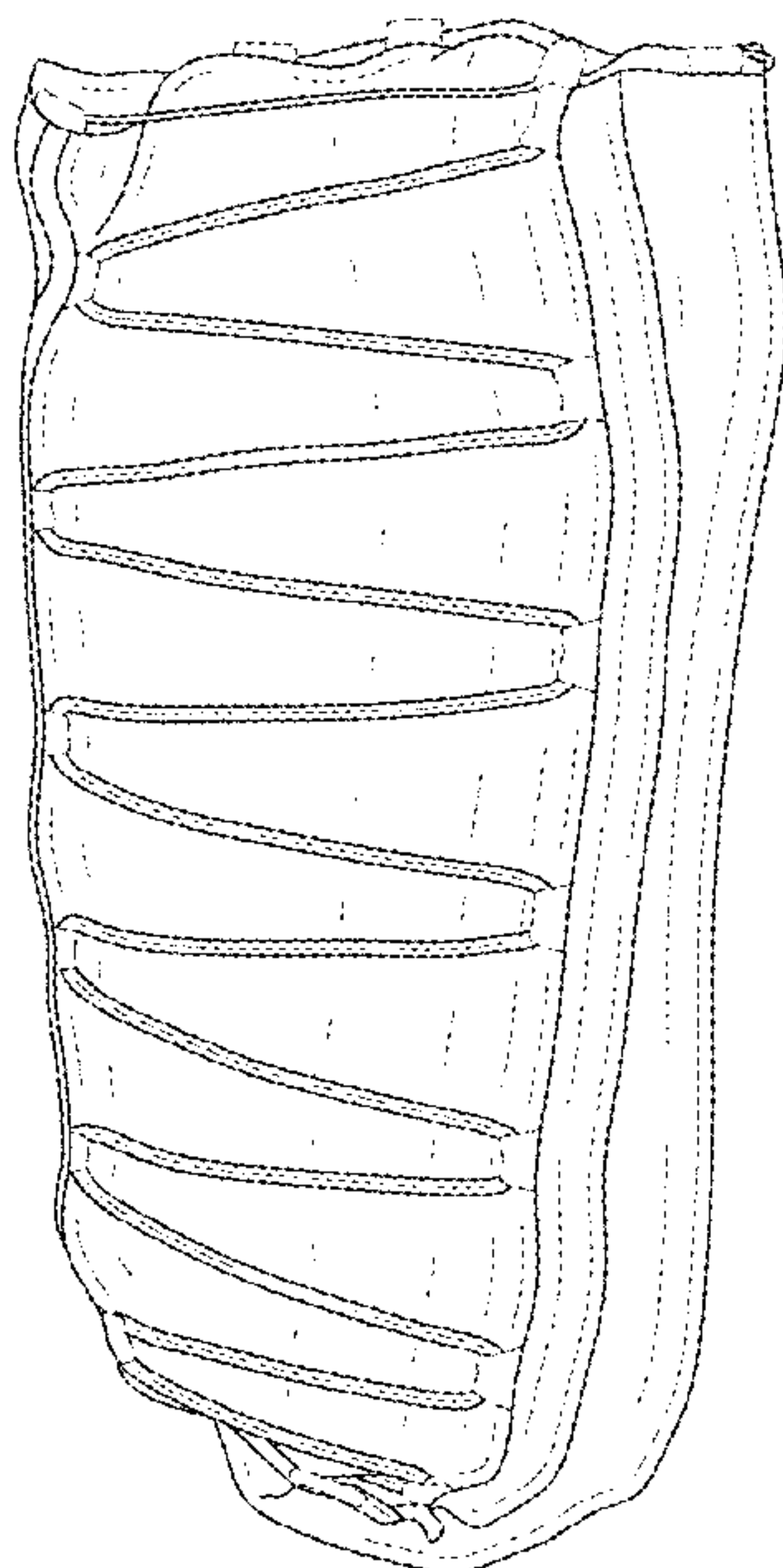
The ornamental design for a rucksack, as shown and described.

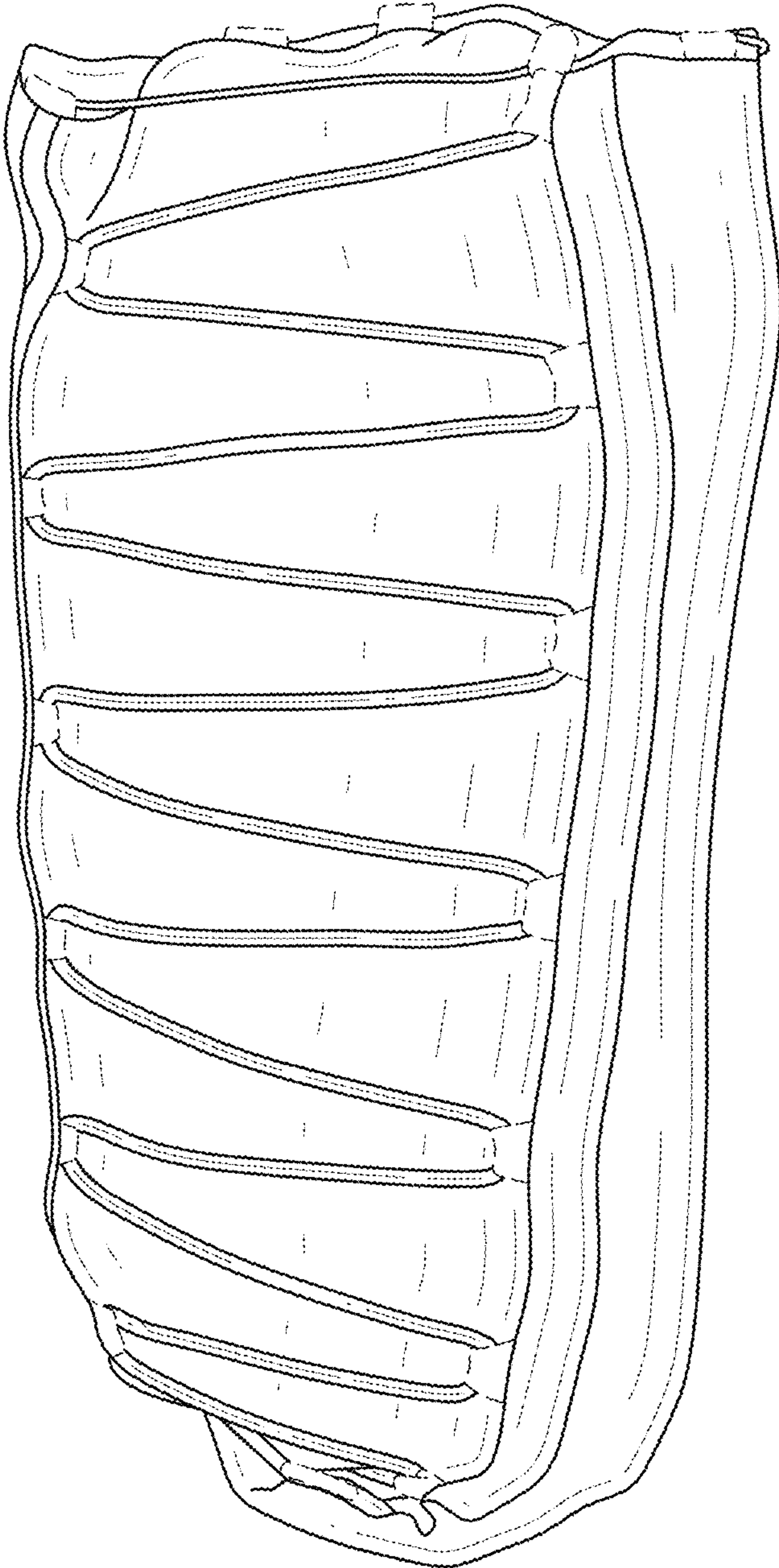
DESCRIPTION

- 1. Rucksack
- 1.1: Perspective: enlarged volume
- 1.2: Perspective: enlarged volume
- 1.3: Front
- 1.4: Right
- 1.5: Back
- 1.6: Left
- 1.7: Top
- 1.8: Bottom
- 1.9: Perspective: reduced volume
- 1.10: Perspective: reduced volume

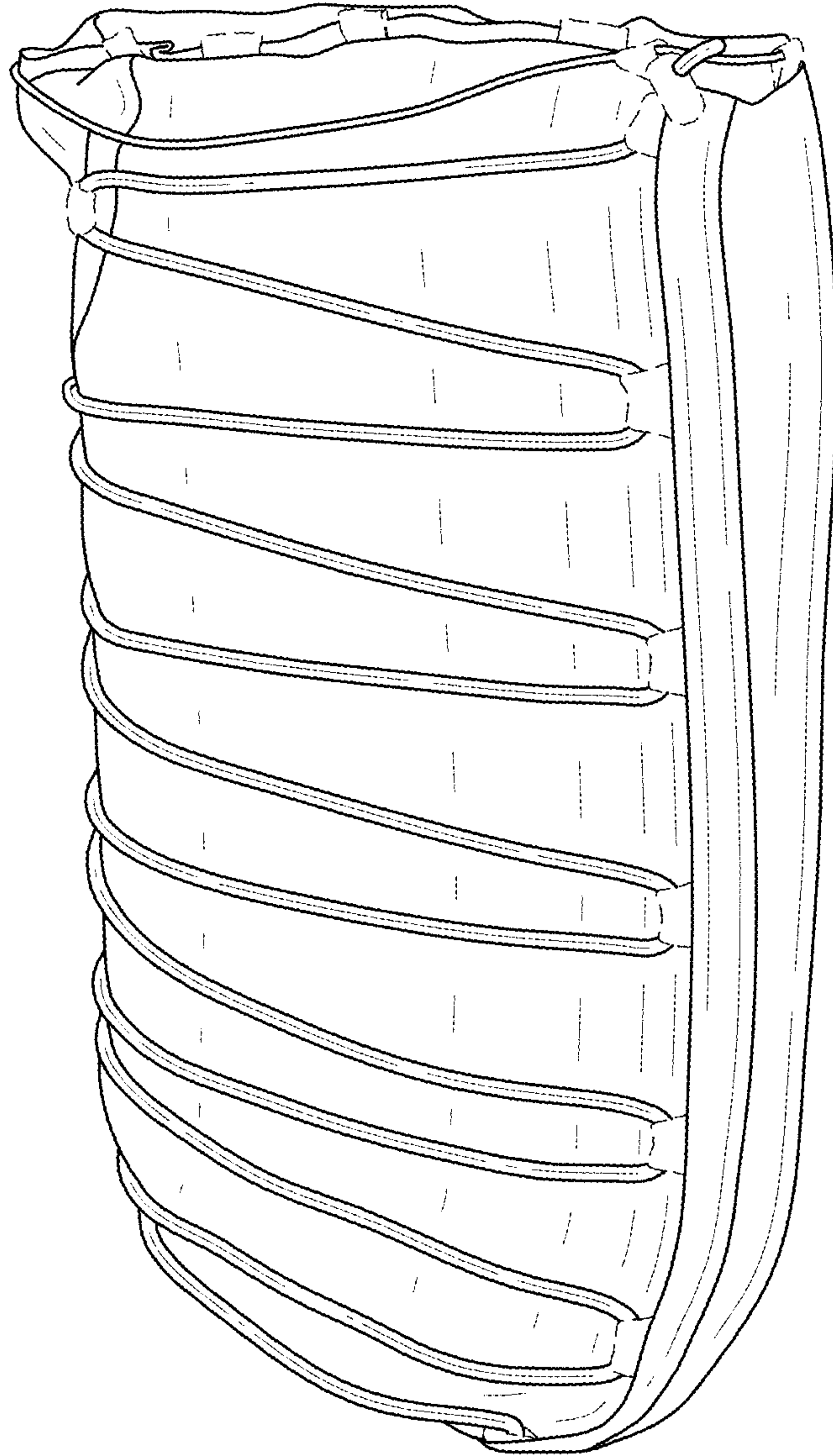
The broken line showing is for the purpose of illustrating environmental structure and forms no part of the claimed the design.

1 Claim, 10 Drawing Sheets

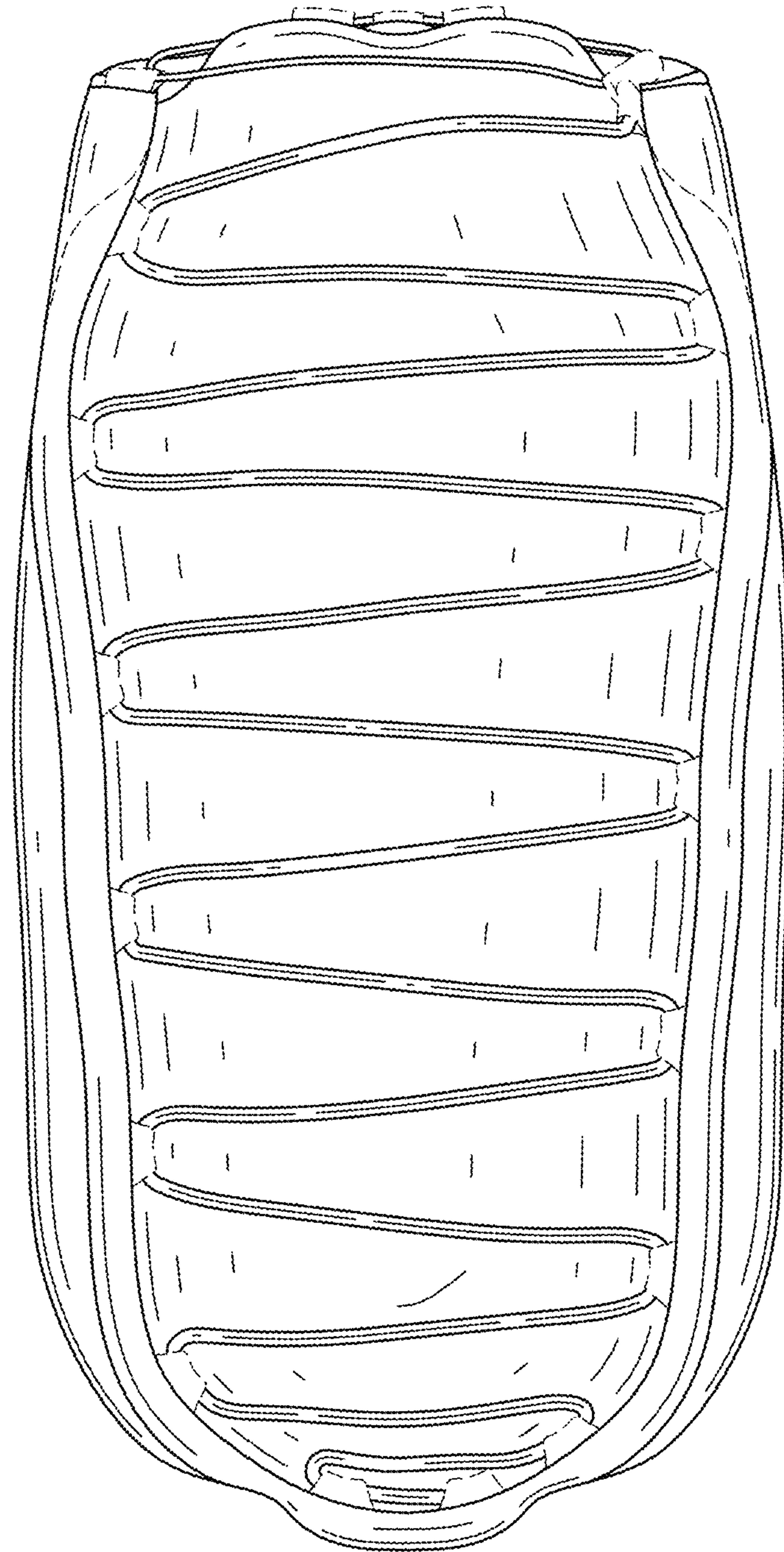




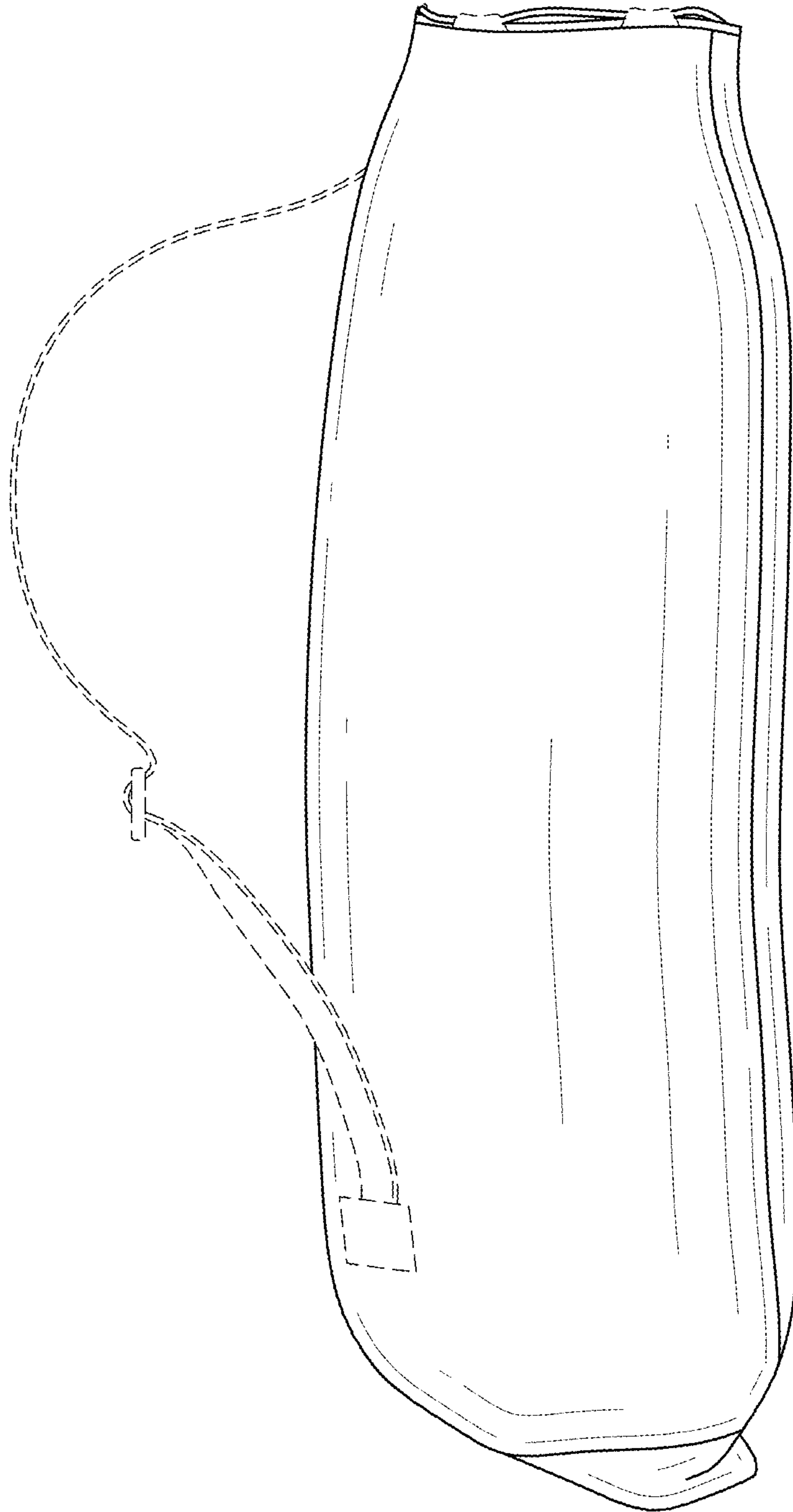
1.1



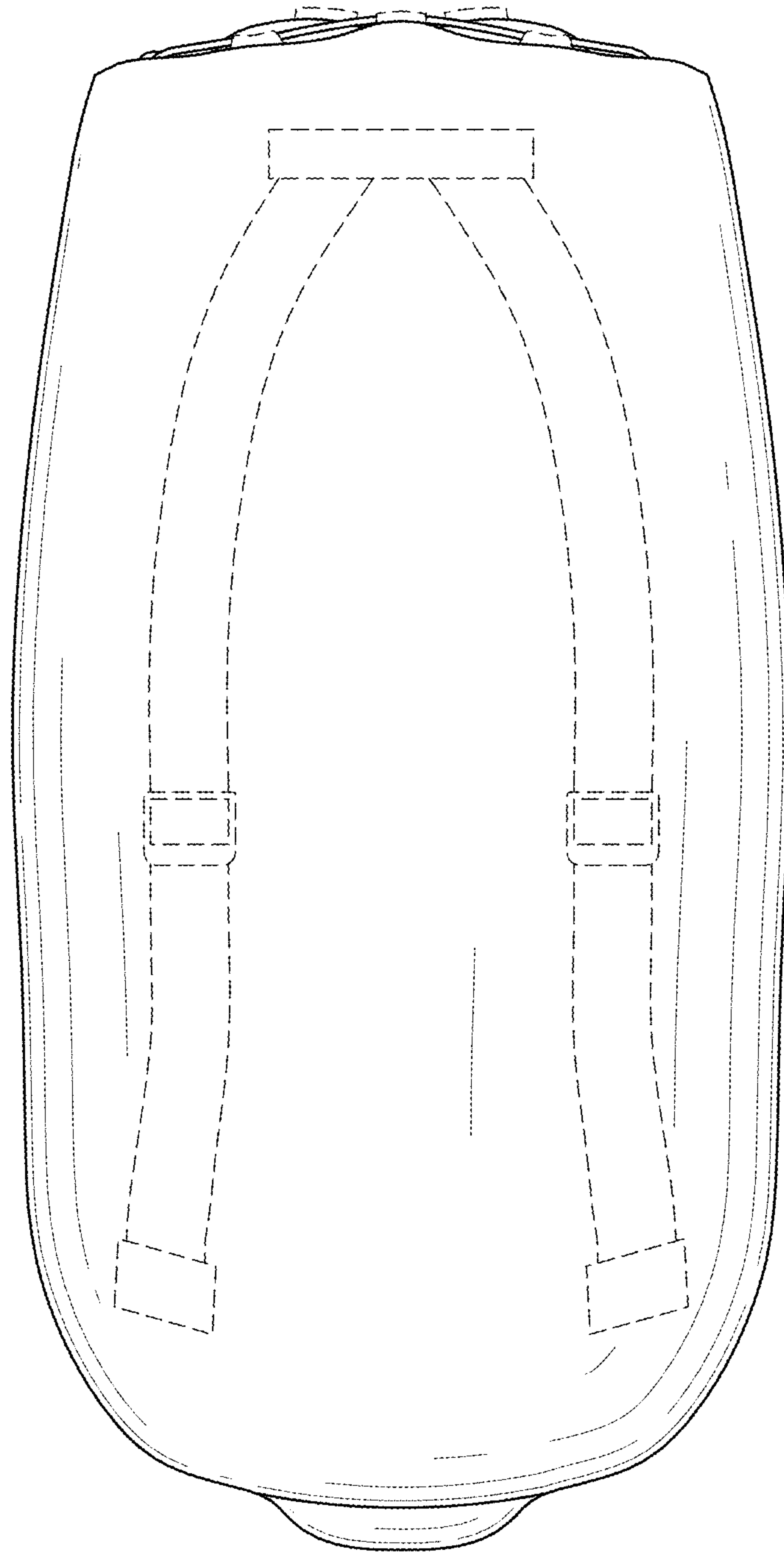
1.2



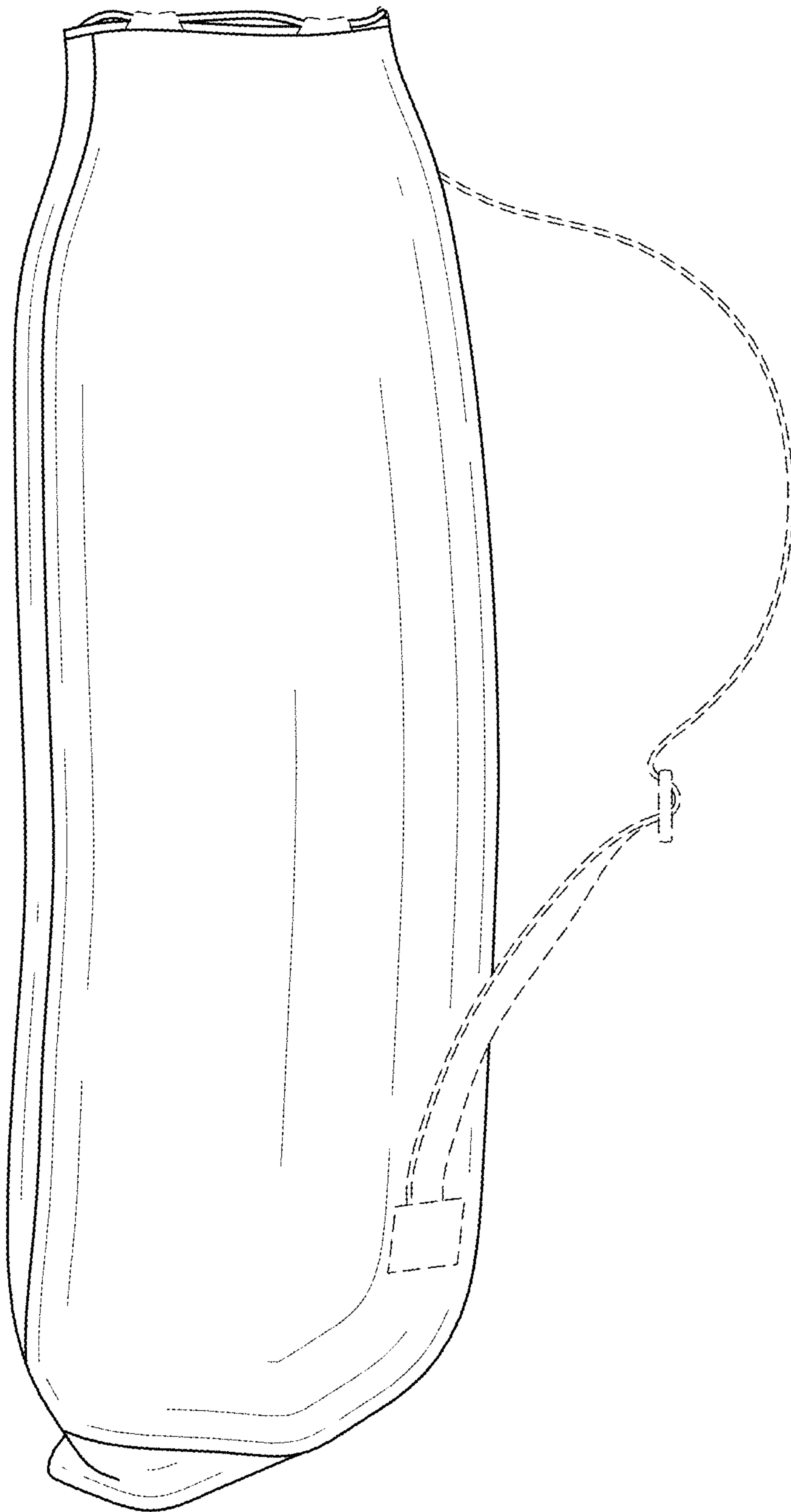
1.3



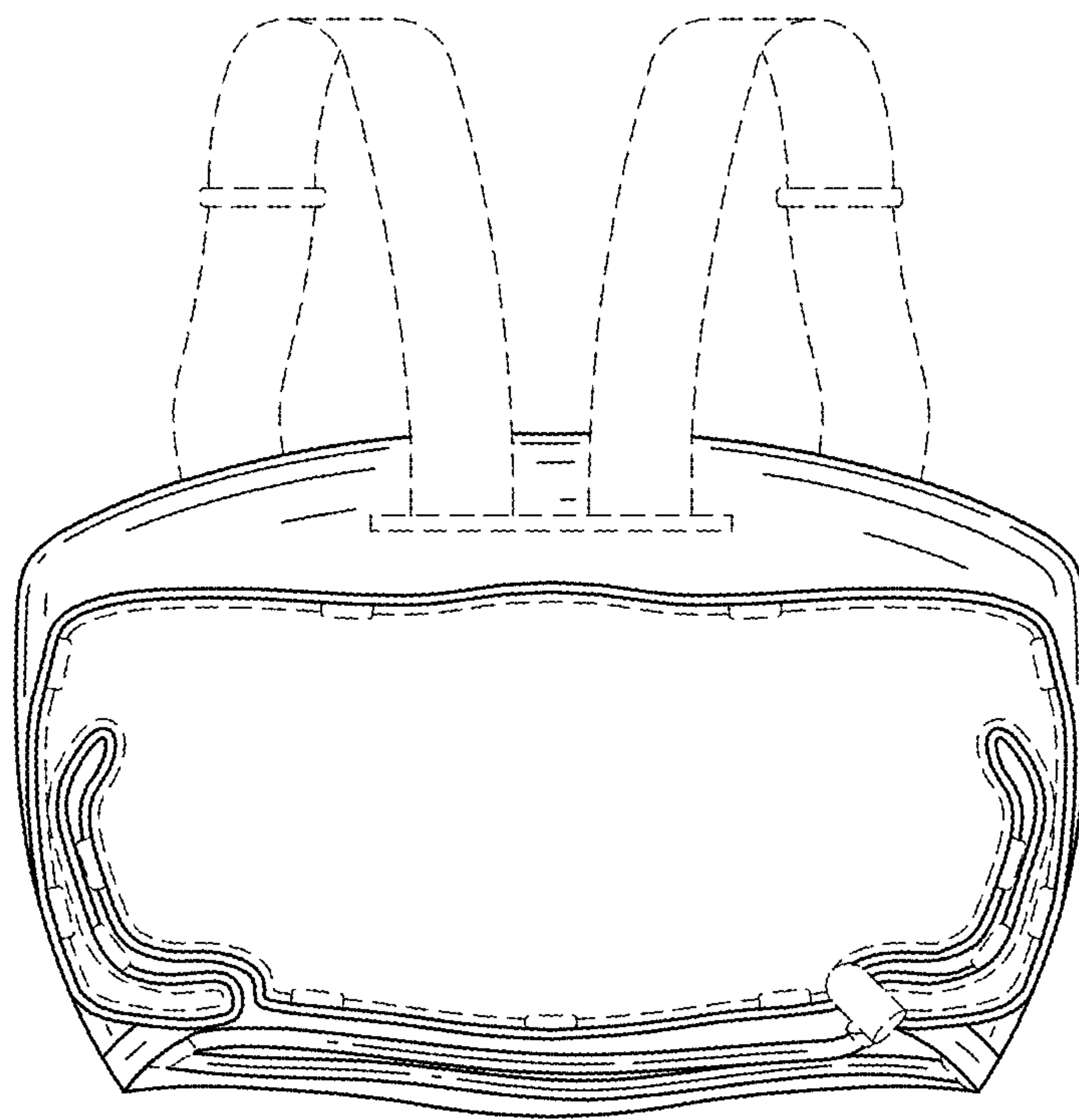
1.4



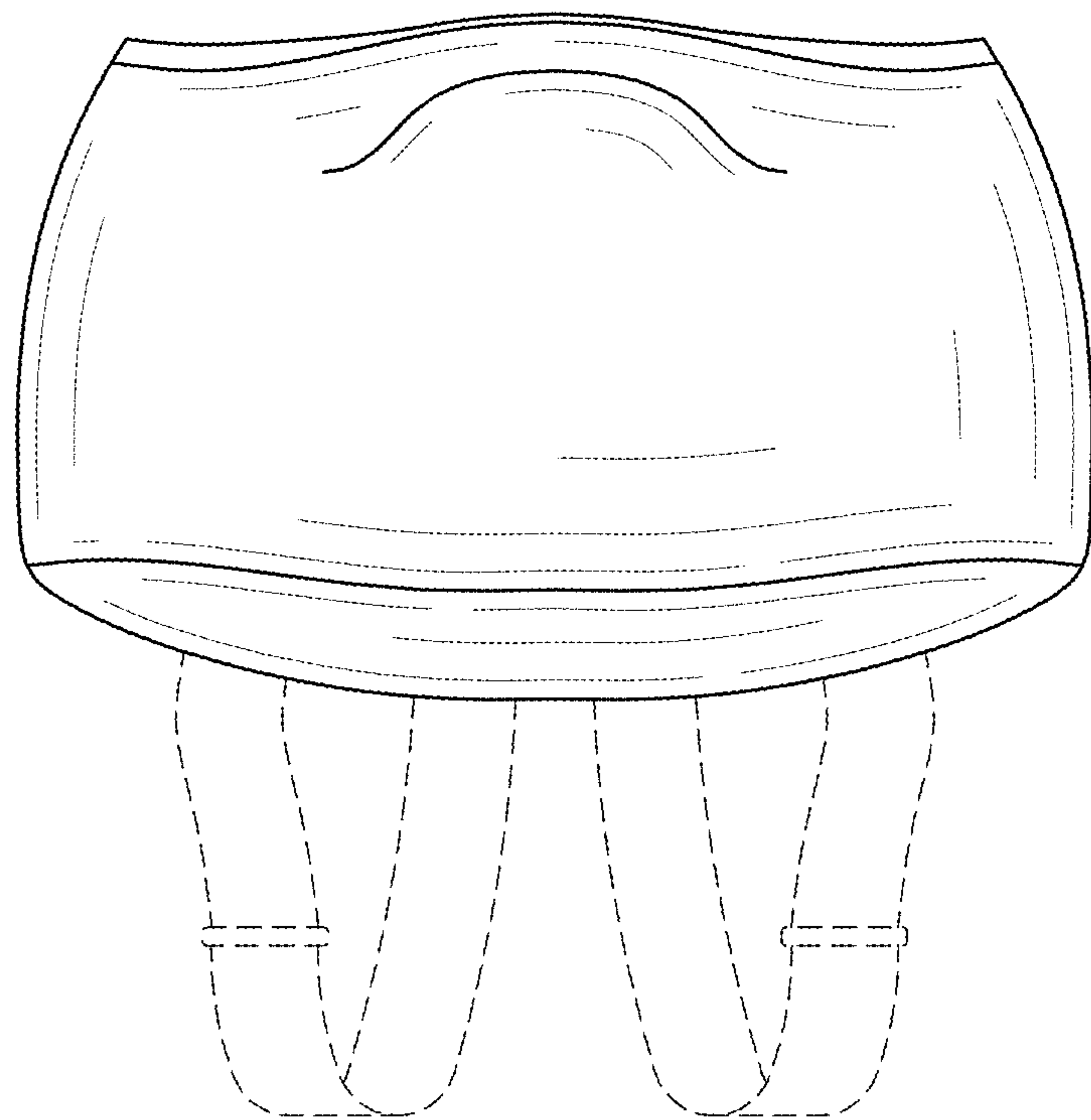
1.5



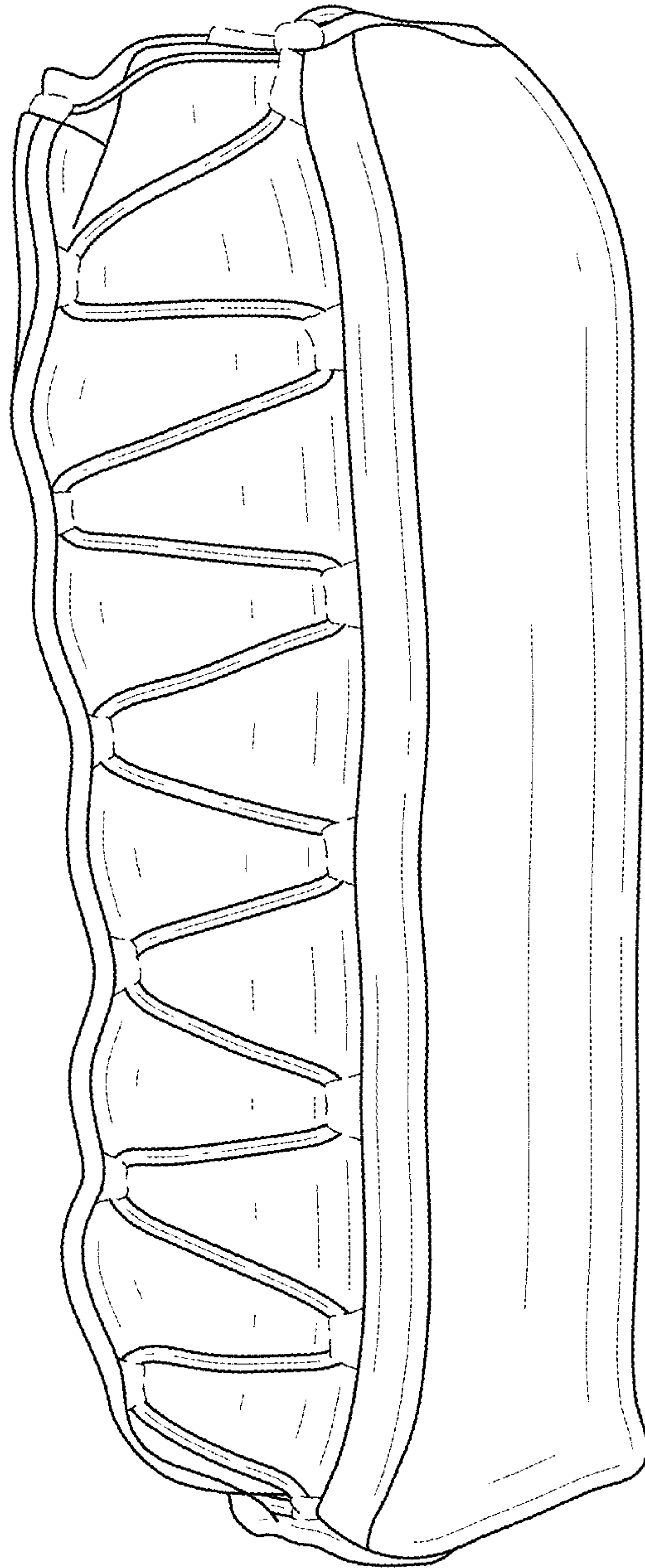
1.6



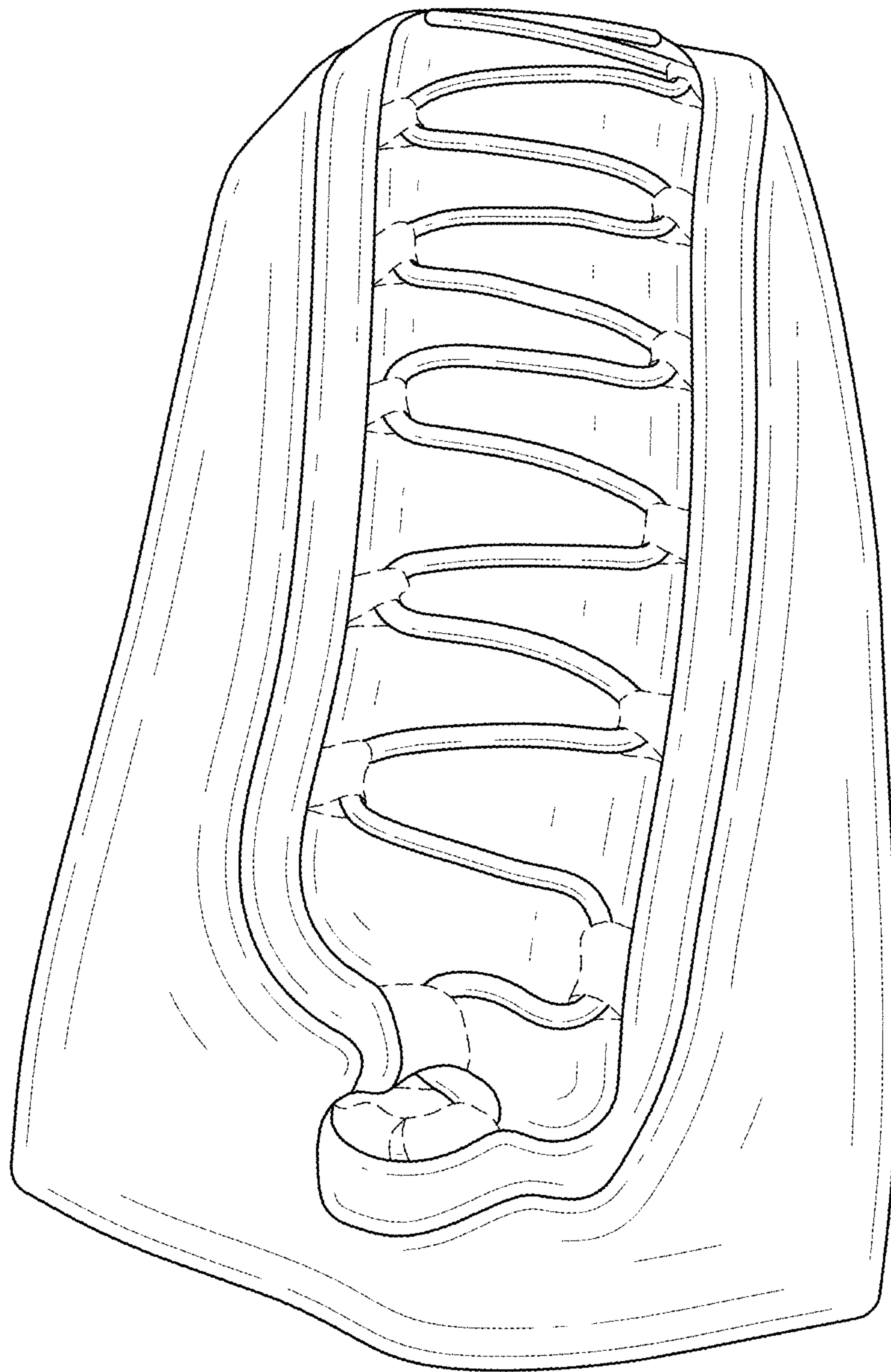
1.7



1.8



1.9



1.10