



US00D822376S

(12) **United States Design Patent**
Konotopskyi et al.

(10) **Patent No.:** **US D822,376 S**

(45) **Date of Patent:** **** Jul. 10, 2018**

(54) **KEY FOB**

(71) Applicant: **AJAX SYSTEMS INC.**, Wilmington, DE (US)

(72) Inventors: **Aleksandr Konotopskyi**, Wilmington, DE (US); **Ilshat Garipov**, Haapsalu (EE)

(73) Assignee: **Ajax Systems Inc.**, Wilmington, DE (US)

(**) Term: **15 Years**

(21) Appl. No.: **29/553,189**

(22) Filed: **Jan. 29, 2016**

(51) **LOC (11) Cl.** **03-01**

(52) **U.S. Cl.**
USPC **D3/208**

(58) **Field of Classification Search**

USPC D3/207-212; 70/456 B, 457, 458, 408, 70/456 R; D13/168; D8/347; D10/104; D14/496, 411; 206/37.1; D21/604, 605, D21/656, 658, 659; 24/3.6; D11/11, 79, D11/81, 82, 87

CPC H04B 1/034; F04B 15/00; E05B 19/04; A44B 15/00; A44B 15/002; A44B 15/005; A44B 15/007

See application file for complete search history.

(56) **References Cited**

U.S. PATENT DOCUMENTS

D336,435 S * 6/1993 Yusa D10/15
D380,896 S * 7/1997 Grant D3/208

D476,805 S * 7/2003 Kan D3/209
D525,947 S * 8/2006 Gerard D13/168
D554,361 S * 11/2007 Bates D3/207
D554,363 S * 11/2007 Bates D3/207
D559,530 S * 1/2008 Bates D3/207
D577,023 S * 9/2008 Anglin D14/383
D612,850 S * 3/2010 Cabatic D13/168
D656,127 S * 3/2012 Kay D14/218
D729,208 S * 5/2015 Ryu D14/218

* cited by examiner

Primary Examiner — Ralf T Seifert

(74) *Attorney, Agent, or Firm* — Bardmesser Law Group

(57) **CLAIM**

The ornamental design for a key fob, as shown and described.

DESCRIPTION

FIG. 1 is a bottom end plan view of a key fob showing our new design;

FIG. 2 is top plan view;

FIG. 3 is a top right side perspective view;

FIG. 4 is a right side plan view;

FIG. 5 is a bottom right side perspective view;

FIG. 6 is bottom plan view;

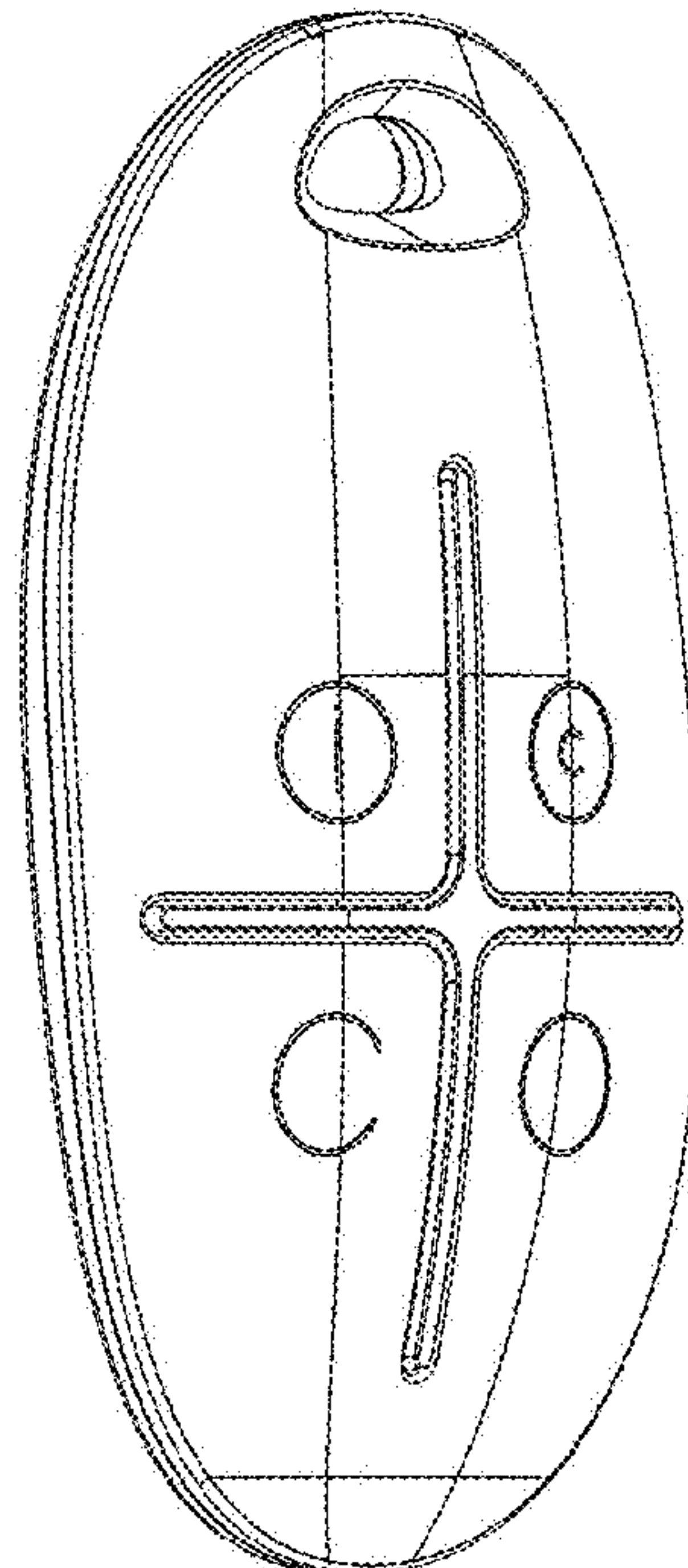
FIG. 7 is a bottom left side perspective;

FIG. 8 is a left side plan view;

FIG. 9 is a top left side perspective view; and,

FIG. 10 is a top end plan view.

1 Claim, 10 Drawing Sheets



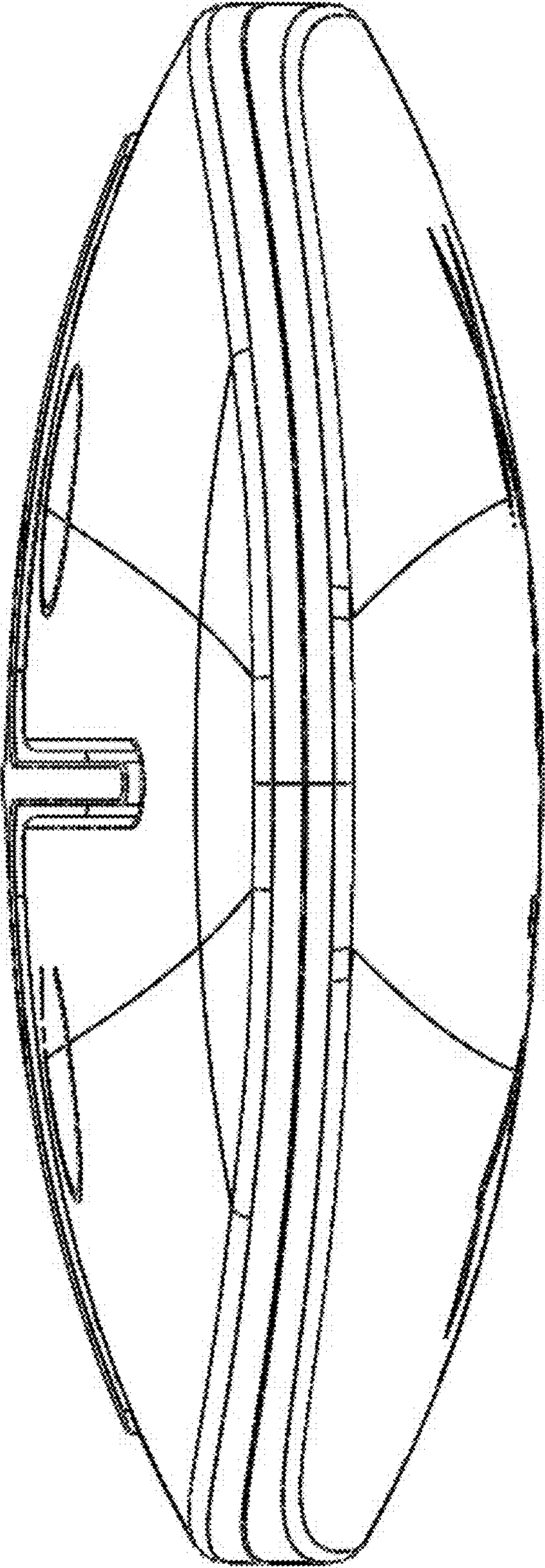


FIG. 1

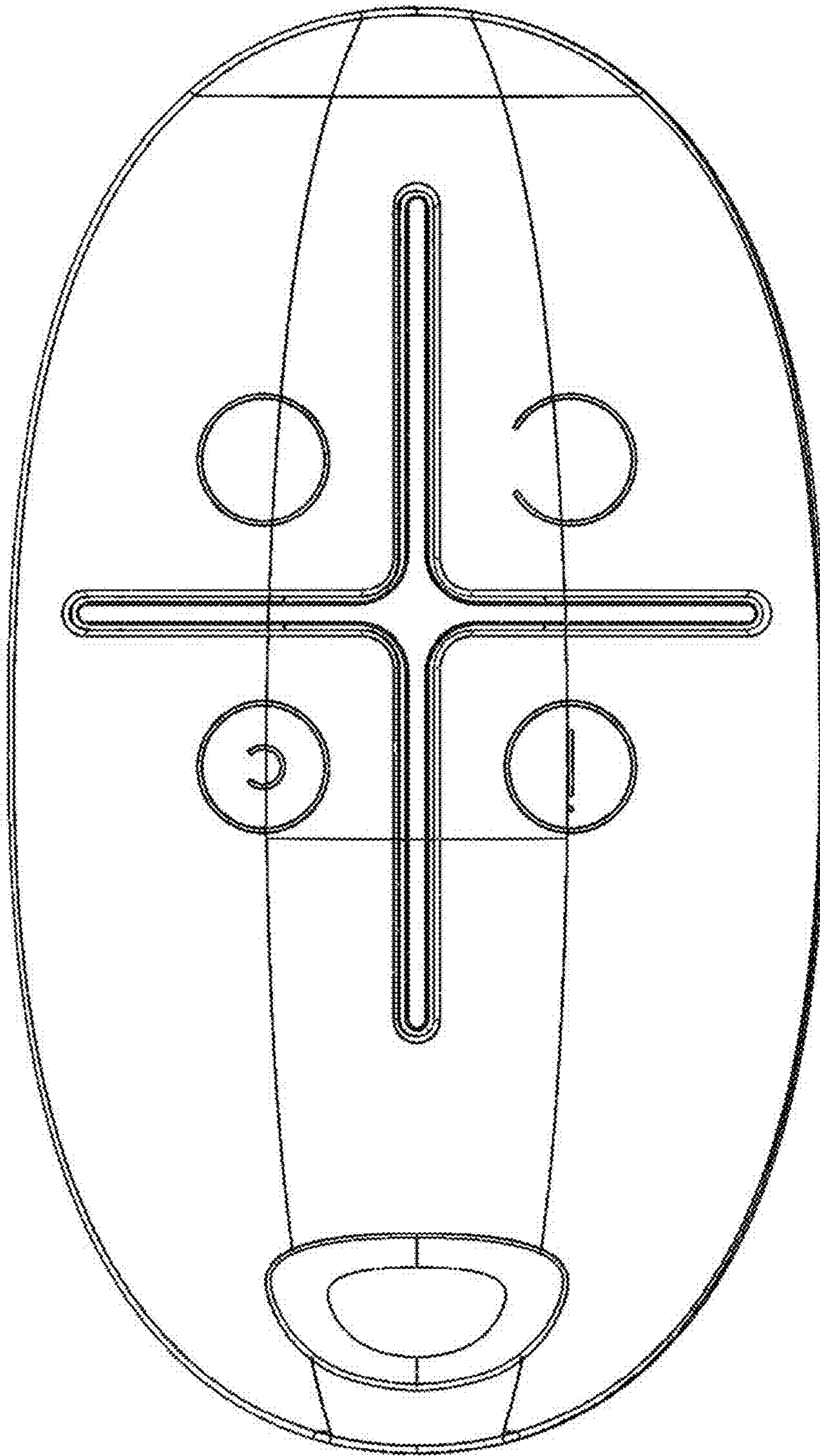


FIG. 2

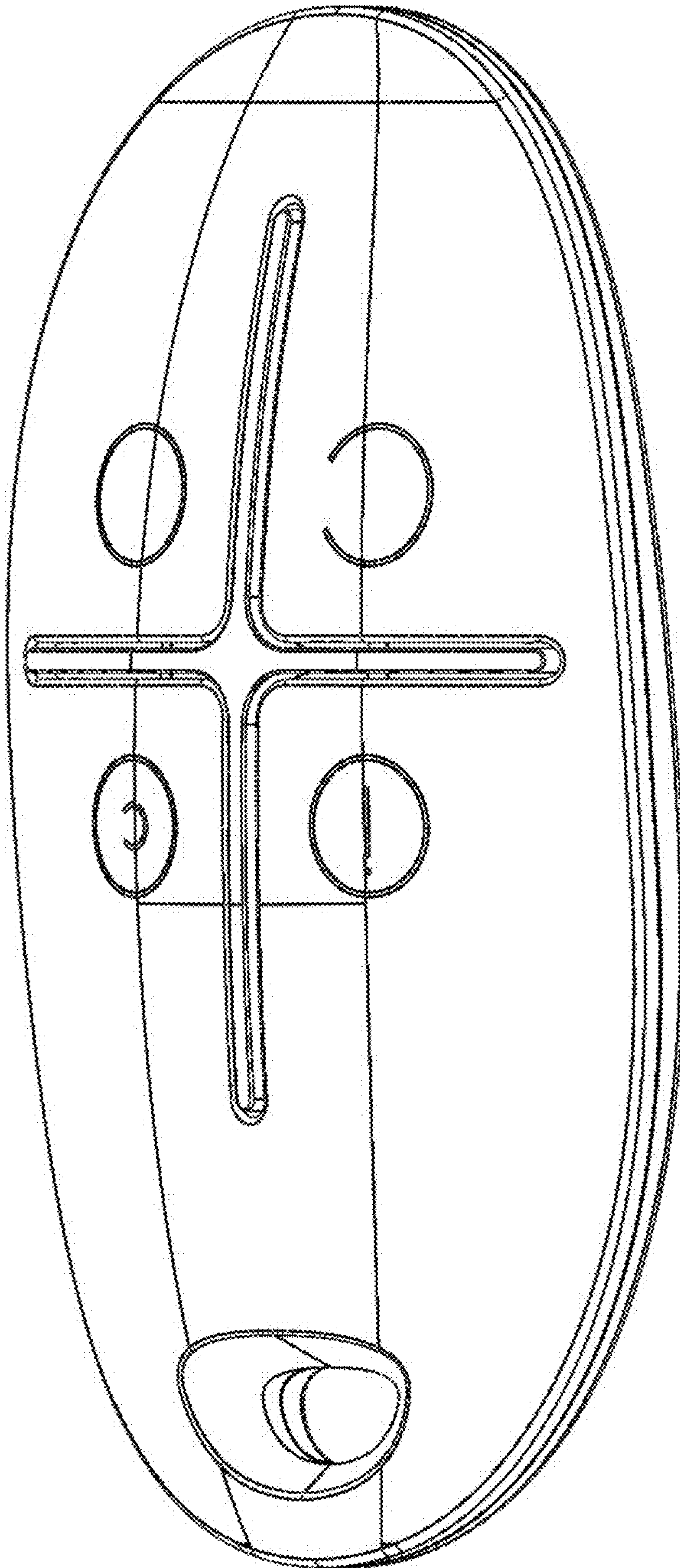


FIG. 3

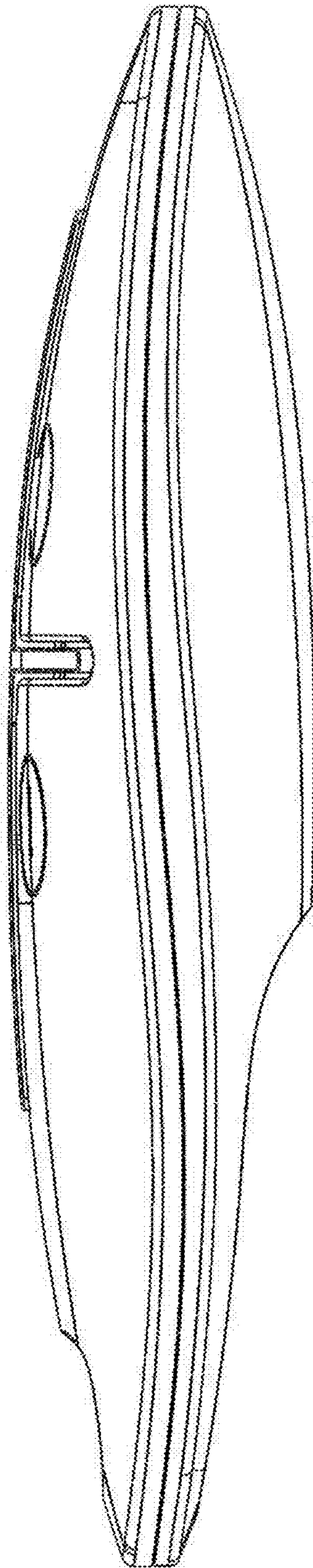


FIG. 4

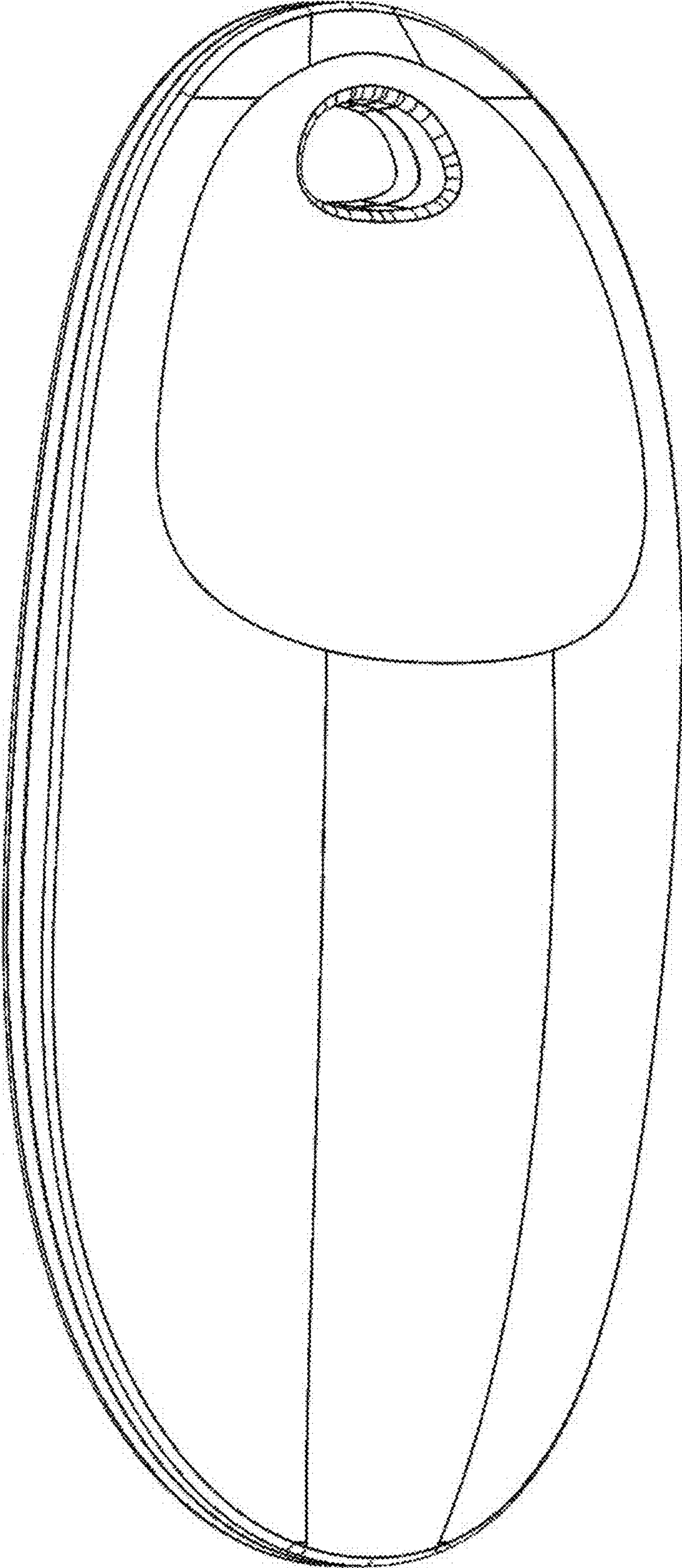


FIG. 5

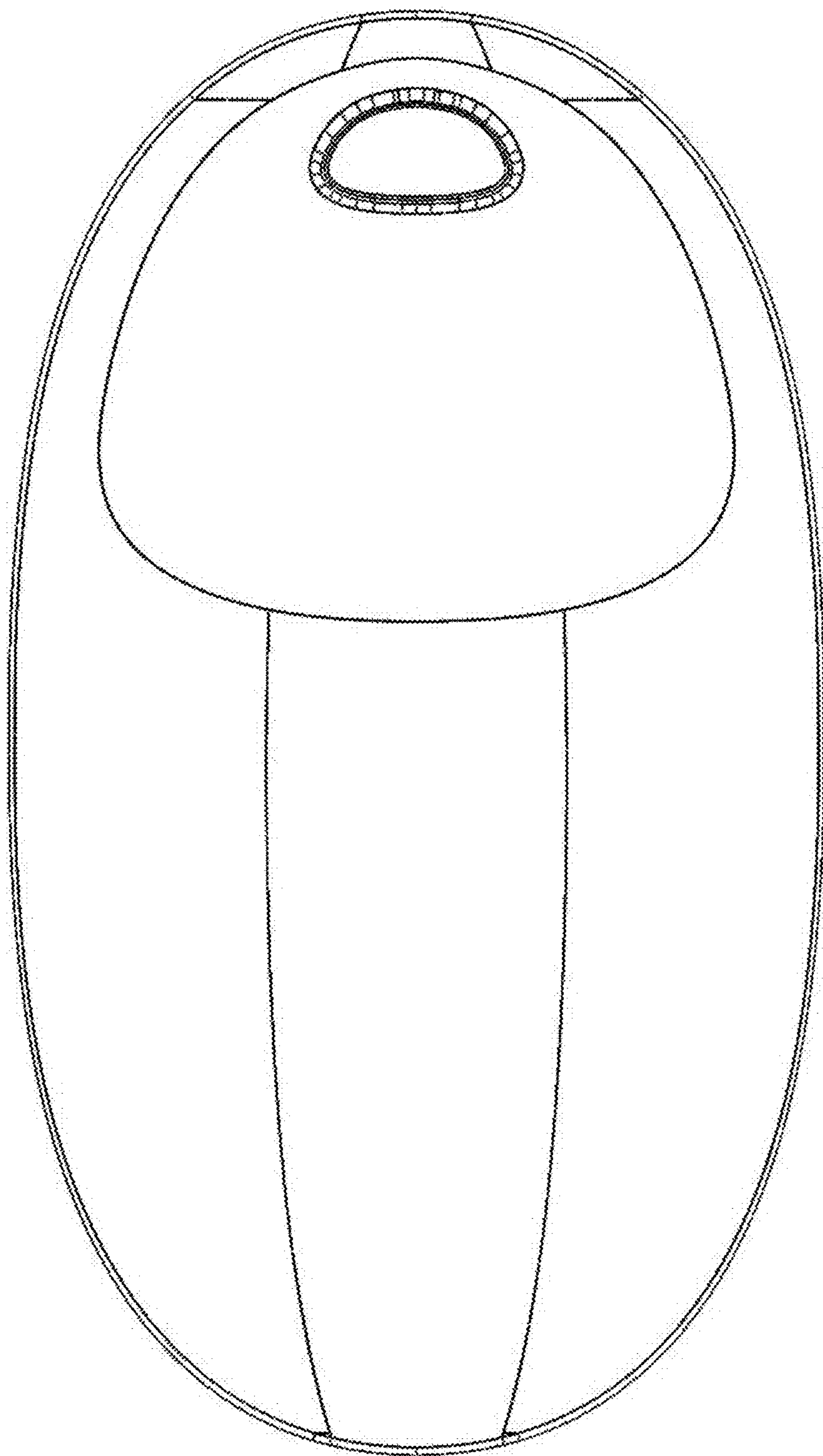


FIG. 6

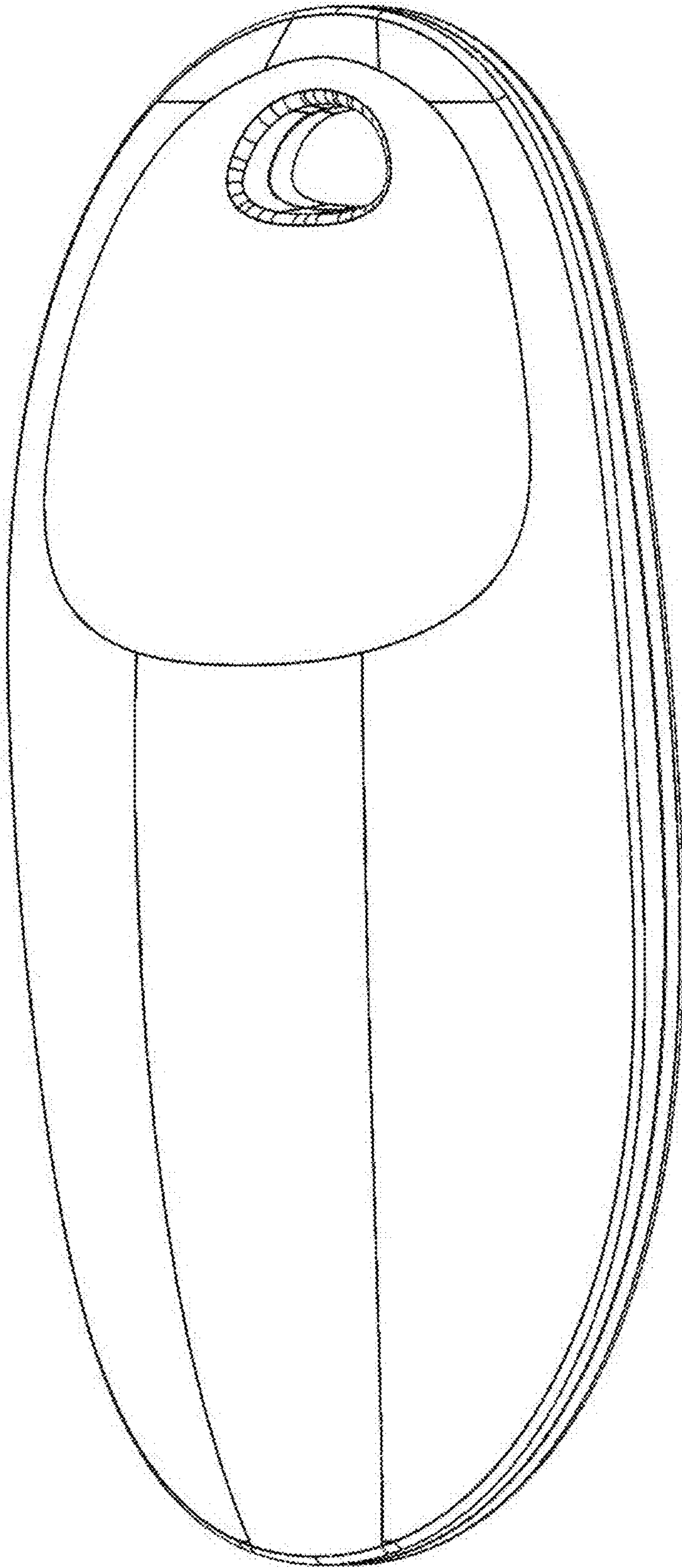


FIG. 7

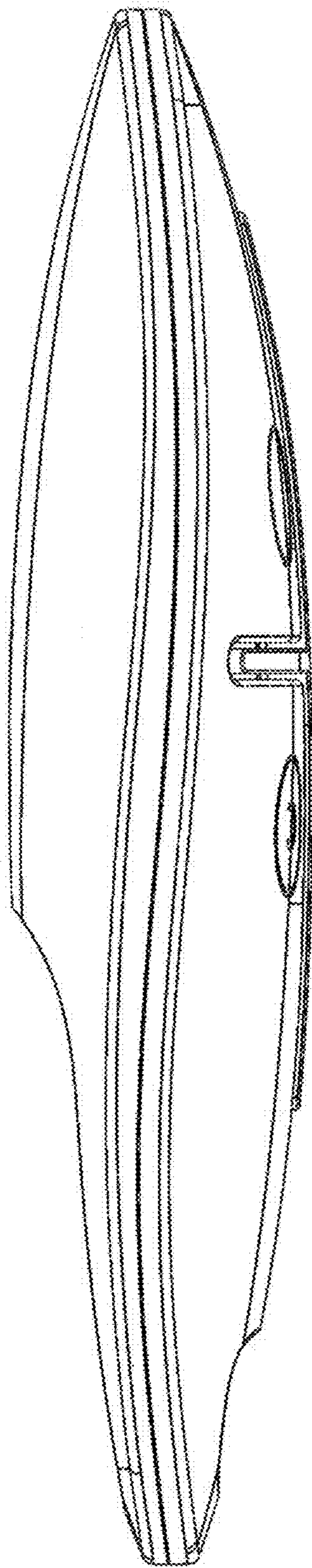


FIG. 8

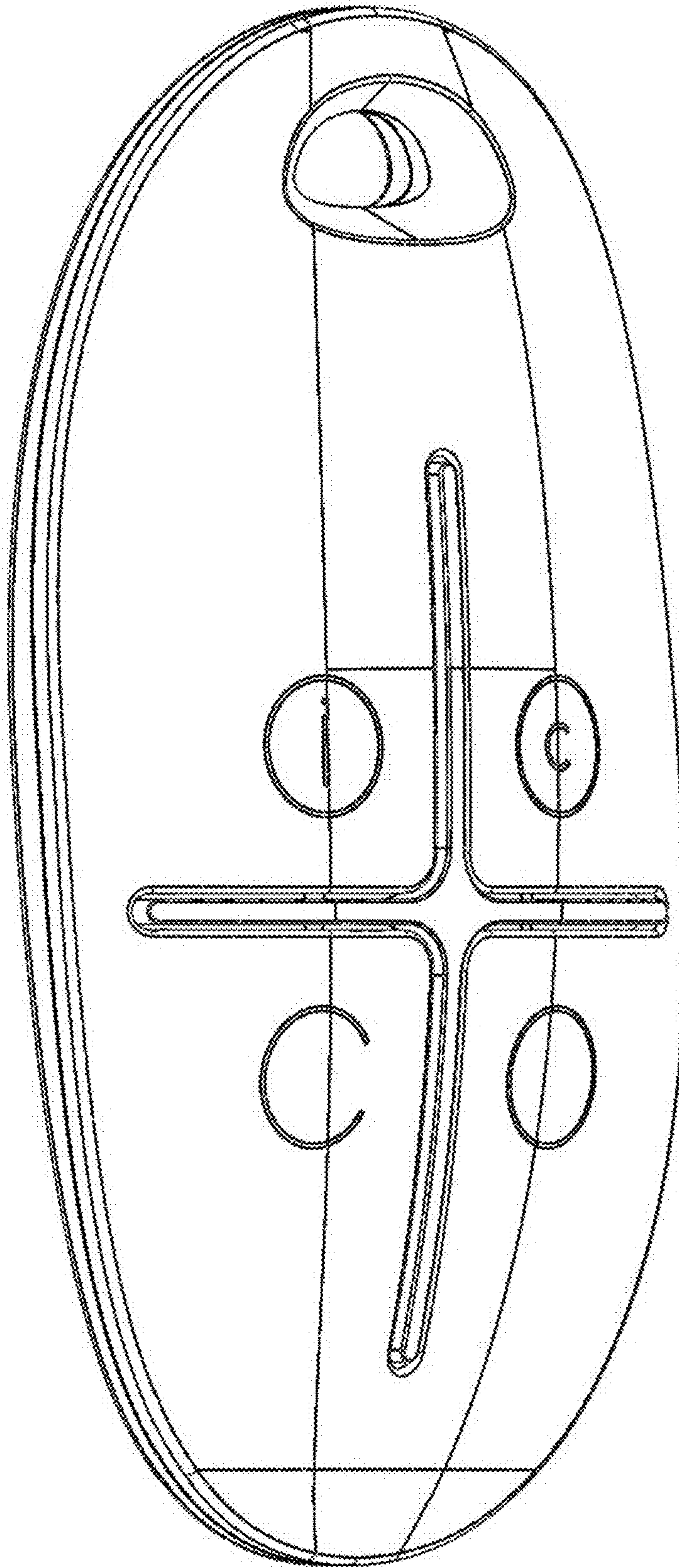


FIG. 9

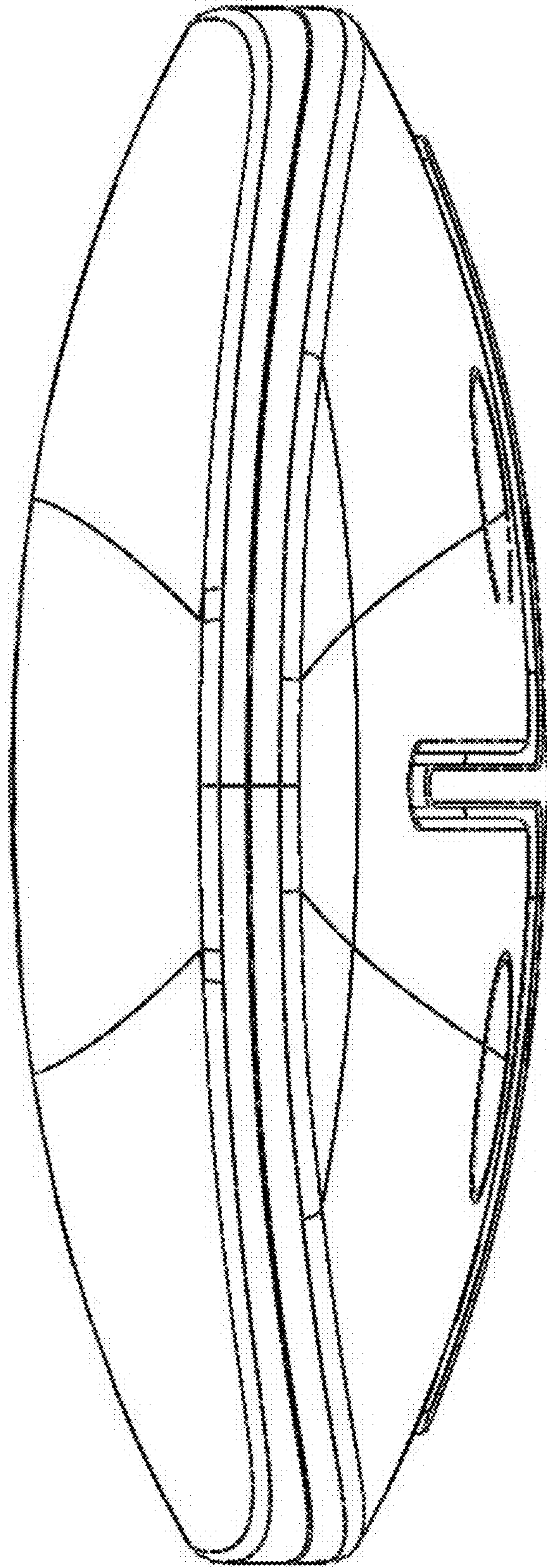


FIG. 10