



US00D822372S

(12) **United States Design Patent**
Deaton

(10) **Patent No.:** **US D822,372 S**
(45) **Date of Patent:** **** Jul. 10, 2018**

- (54) **NEEDLE INSTALLATION AND EXTRACTION DEVICE**
- (71) Applicant: **Joel W. Deaton**, Batesville, AR (US)
- (72) Inventor: **Joel W. Deaton**, Batesville, AR (US)
- (**) Term: **15 Years**
- (21) Appl. No.: **29/595,405**
- (22) Filed: **Feb. 28, 2017**
- (51) **LOC (11) Cl.** **03-04**
- (52) **U.S. Cl.**
USPC **D3/18; D15/72**
- (58) **Field of Classification Search**
USPC D3/18, 20, 26; D15/66, 72
CPC D05B 31/00; D05B 49/00; D05B 55/00;
D05B 55/02; D05B 55/04
See application file for complete search history.

- 2005/0061037 A1* 3/2005 Shwartz D05B 55/04
66/1 R
 - 2007/0221110 A1* 9/2007 Hillenbrand D05B 55/00
112/226
 - 2008/0011633 A1* 1/2008 Buchter B21G 1/00
206/365
 - 2015/0335827 A1* 11/2015 Stefansen A61M 5/1408
604/173
 - 2016/0228654 A1* 8/2016 Rozwadowski . A61B 5/150183
 - 2016/0263313 A1* 9/2016 Rava A61M 5/1626
- * cited by examiner

Primary Examiner — John Windmuller
Assistant Examiner — Steven J Czyz
 (74) *Attorney, Agent, or Firm* — Schrantz Law Firm, PLLC; Stephen D. Schrantz

(57) **CLAIM**

The ornamental design for a needle installation and extraction device, as shown and described.

(56) **References Cited**

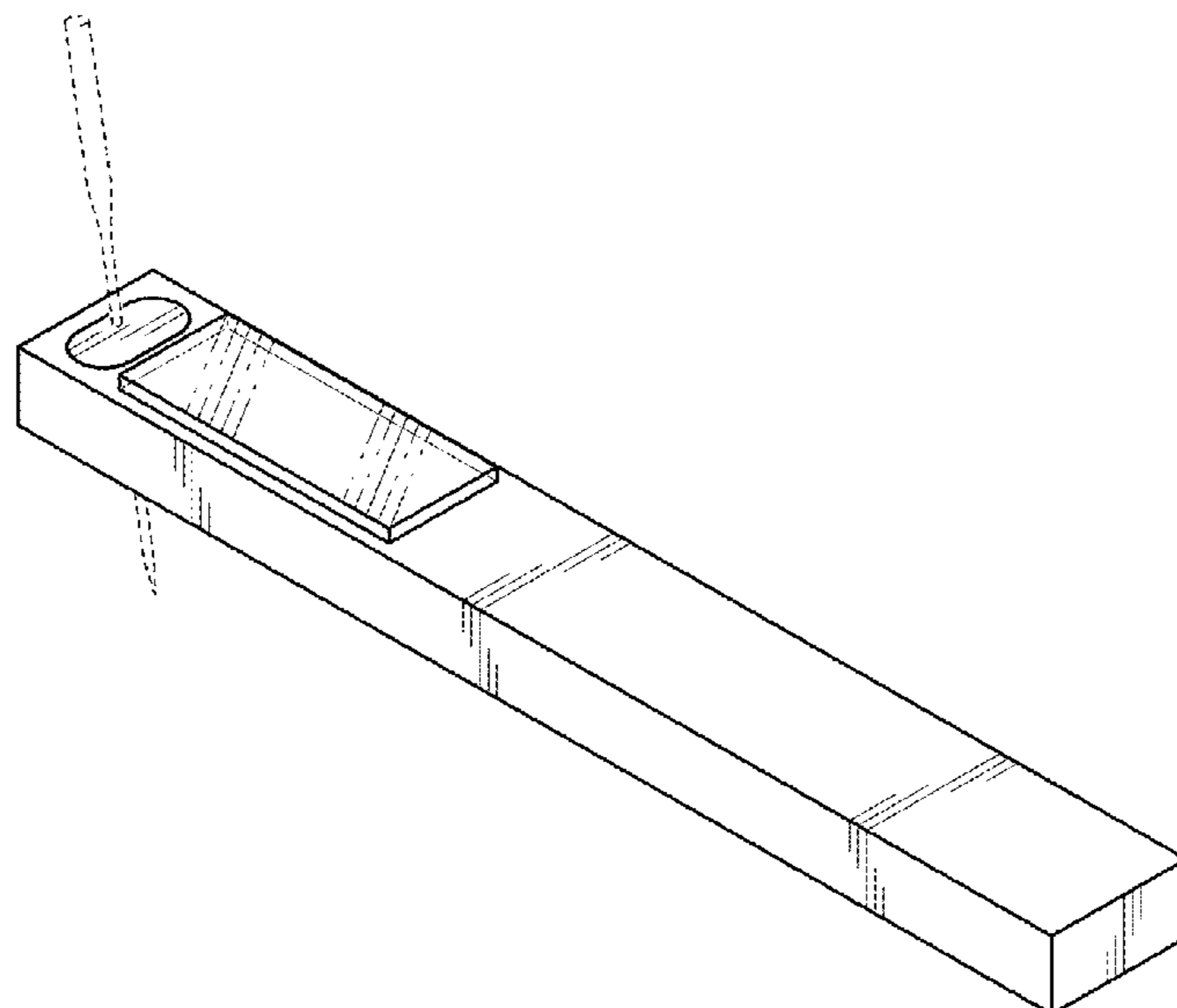
U.S. PATENT DOCUMENTS

- D121,721 S * 7/1940 Ligh et al. D3/18
- D124,599 S * 1/1941 Christ et al. D3/18
- 2,494,444 A * 1/1950 Lyle D05B 87/00
112/225
- 3,085,527 A * 4/1963 Stausser D05B 55/04
112/225
- 3,227,121 A * 1/1966 Speetjens B21G 1/04
112/222
- D294,303 S * 2/1988 Giovagnoni D28/59
- 4,765,473 A * 8/1988 Pavel B65D 11/1886
206/380
- 4,989,528 A * 2/1991 Fujita D05B 55/04
112/226
- D369,438 S * 4/1996 Resler D28/59
- 5,853,087 A * 12/1998 Sos B65D 25/10
206/380
- 5,877,905 A * 3/1999 Schwartz G02B 7/183
248/466
- D450,442 S * 11/2001 Leonard D3/18

DESCRIPTION

FIG. 1 is a top perspective view of a needle installation and extraction device with environment, showing my new design;
 FIG. 2 is a top perspective view of the needle installation and extraction device, shown without environment;
 FIG. 3 is a bottom perspective view thereof;
 FIG. 4 is a front view thereof, the rear view being a mirror image of the front view;
 FIG. 5 is a left side view thereof;
 FIG. 6 is a right side view thereof;
 FIG. 7 is a top view thereof;
 FIG. 8 is a bottom view thereof; and,
 FIG. 9 is a perspective view of the needle installation and extraction device, shown in use with environment.
 The broken lines depict environment that forms no part of the claimed design.

1 Claim, 3 Drawing Sheets



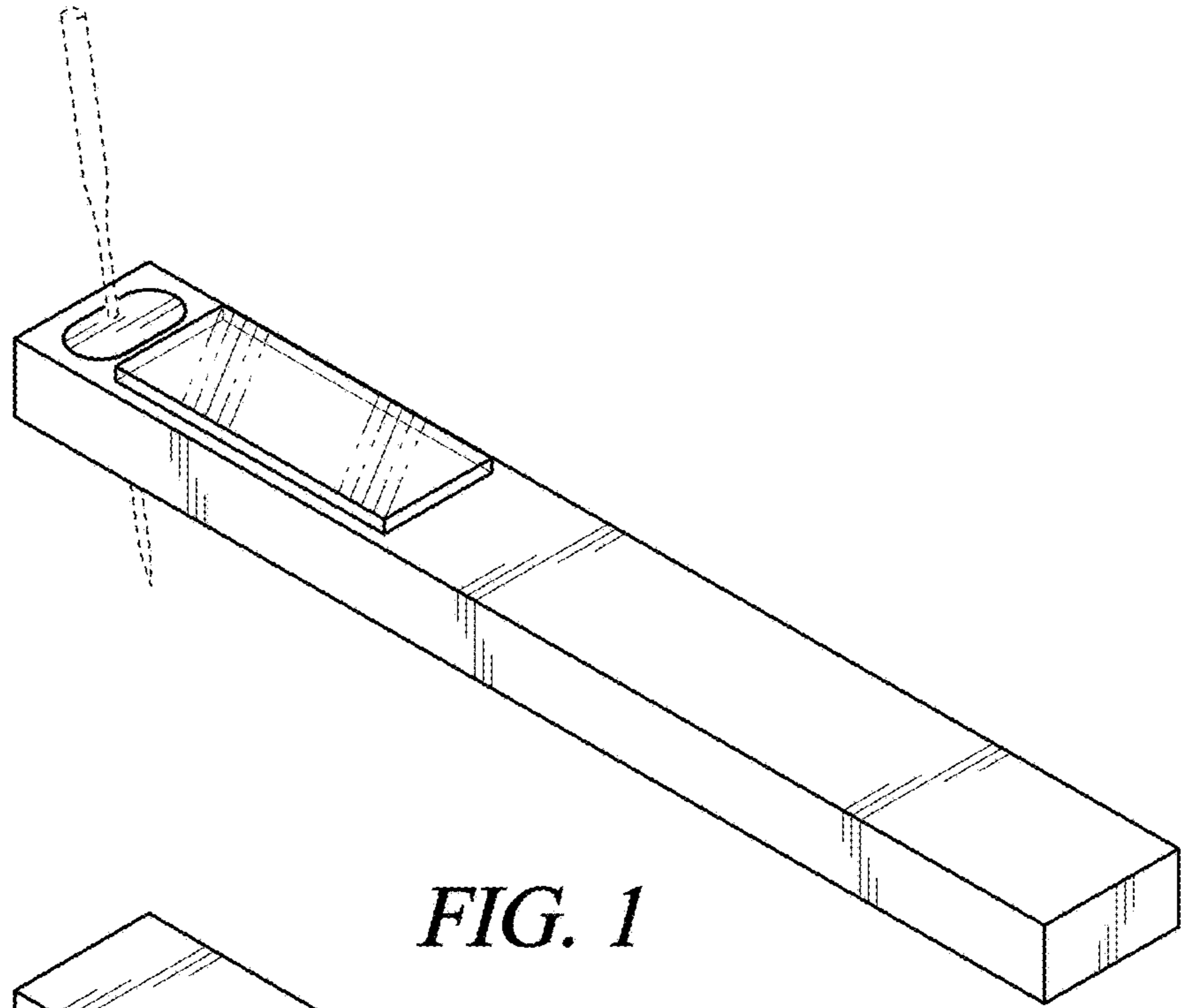


FIG. 1

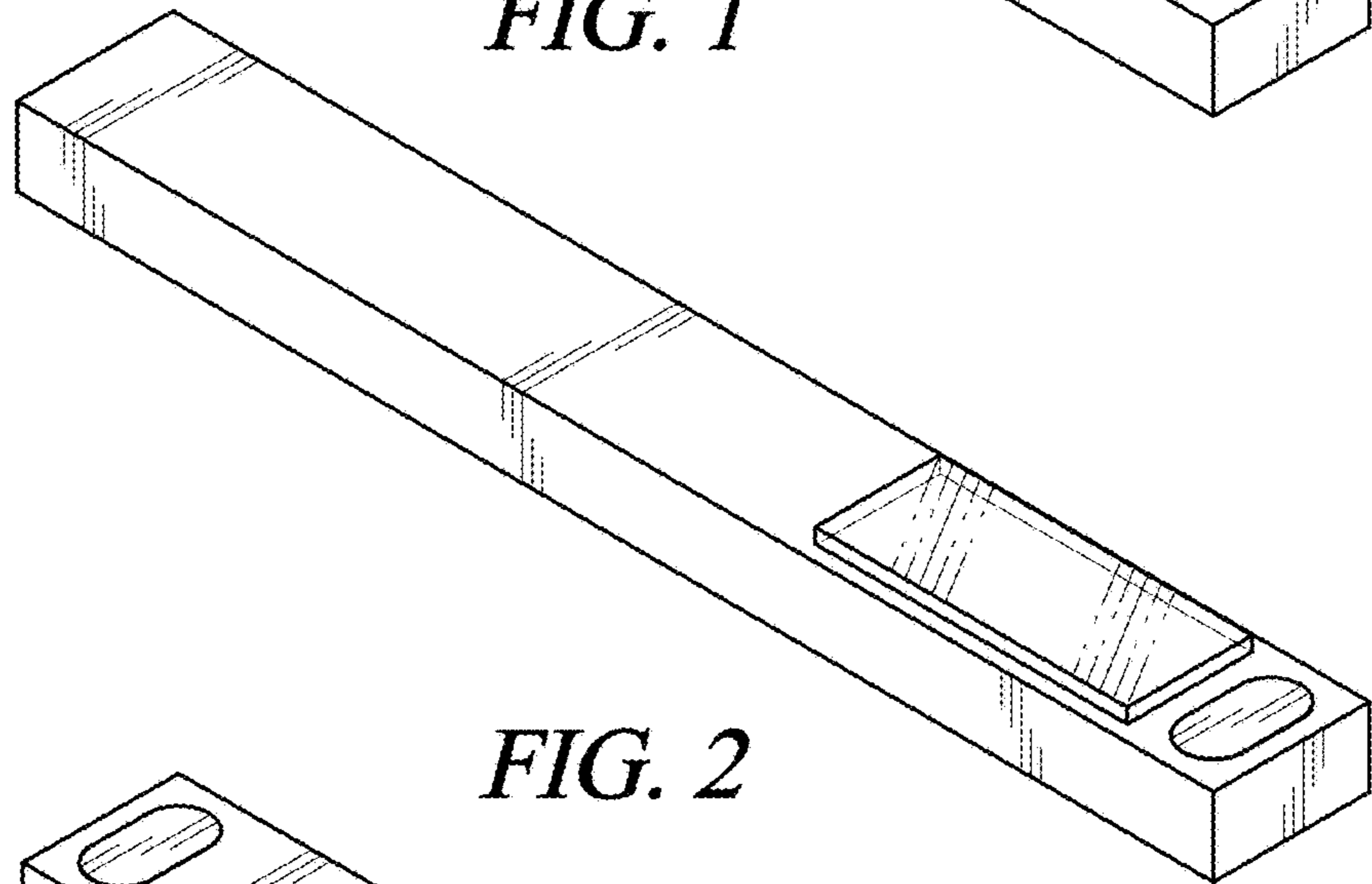


FIG. 2

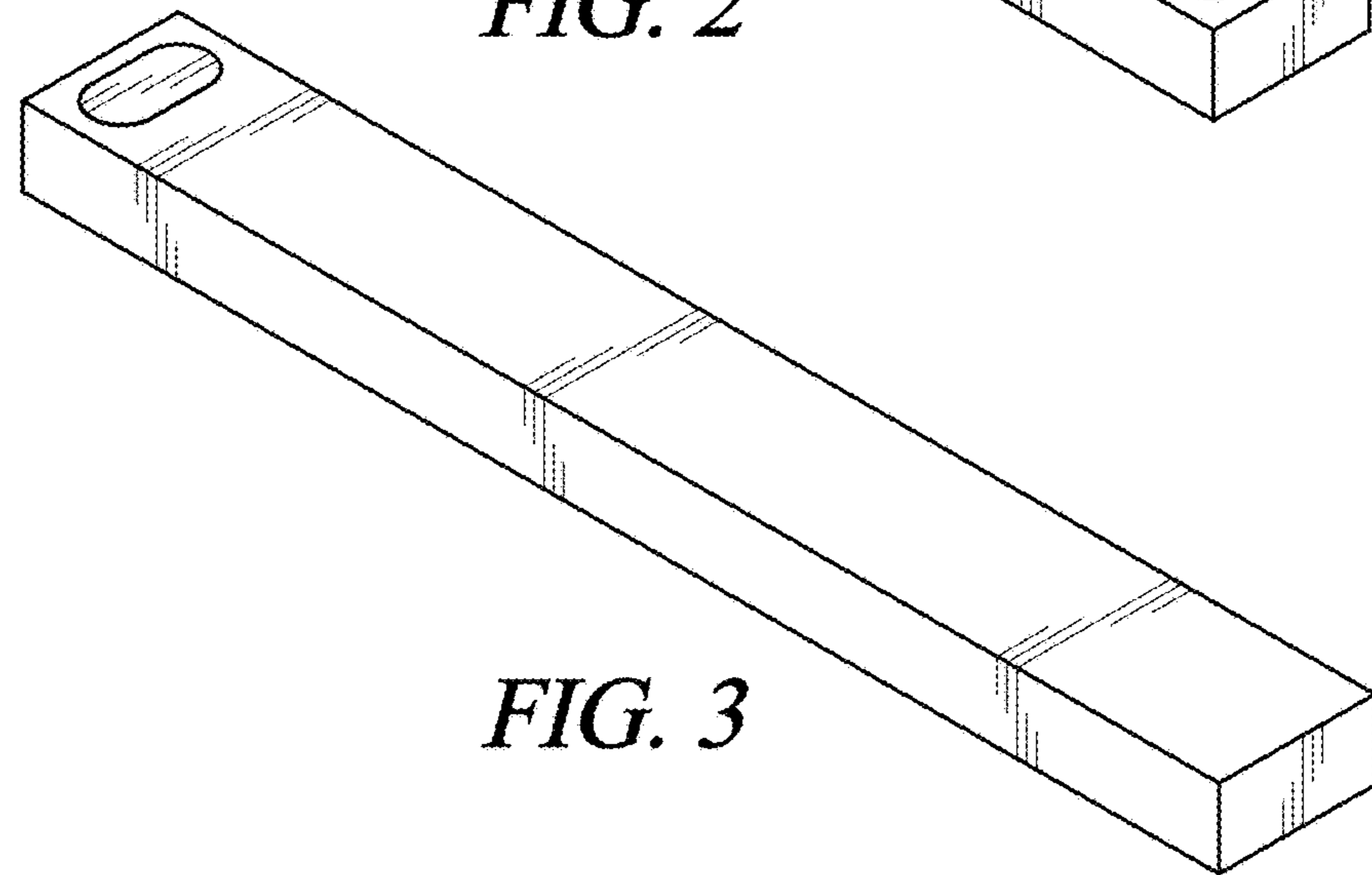


FIG. 3



FIG. 7

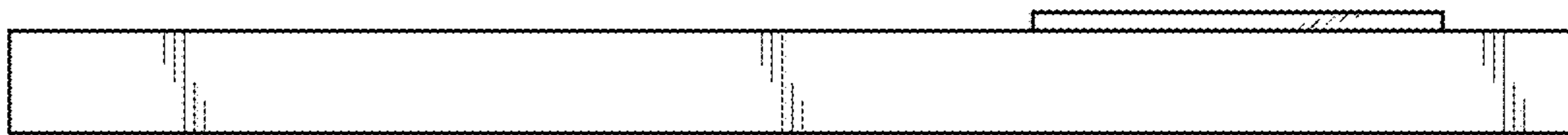


FIG. 4

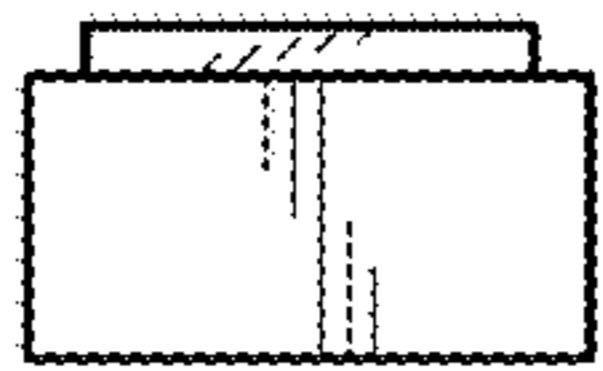


FIG. 5

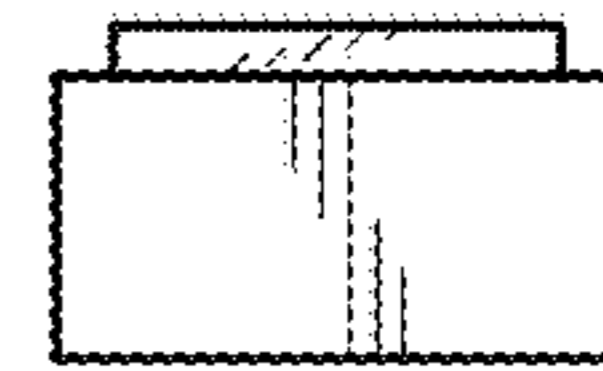


FIG. 6

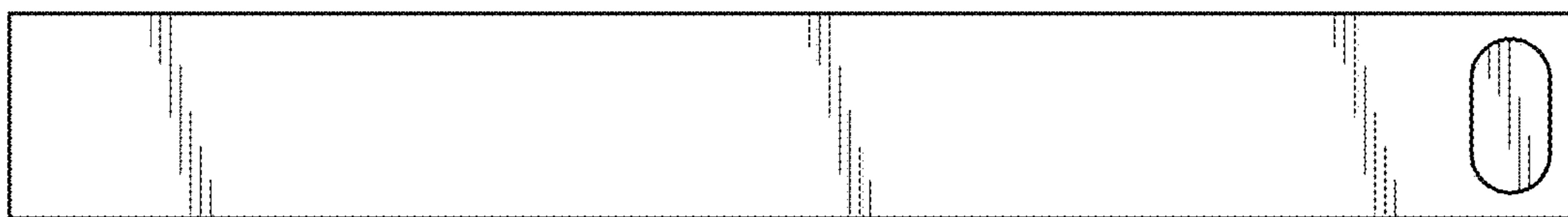


FIG. 8

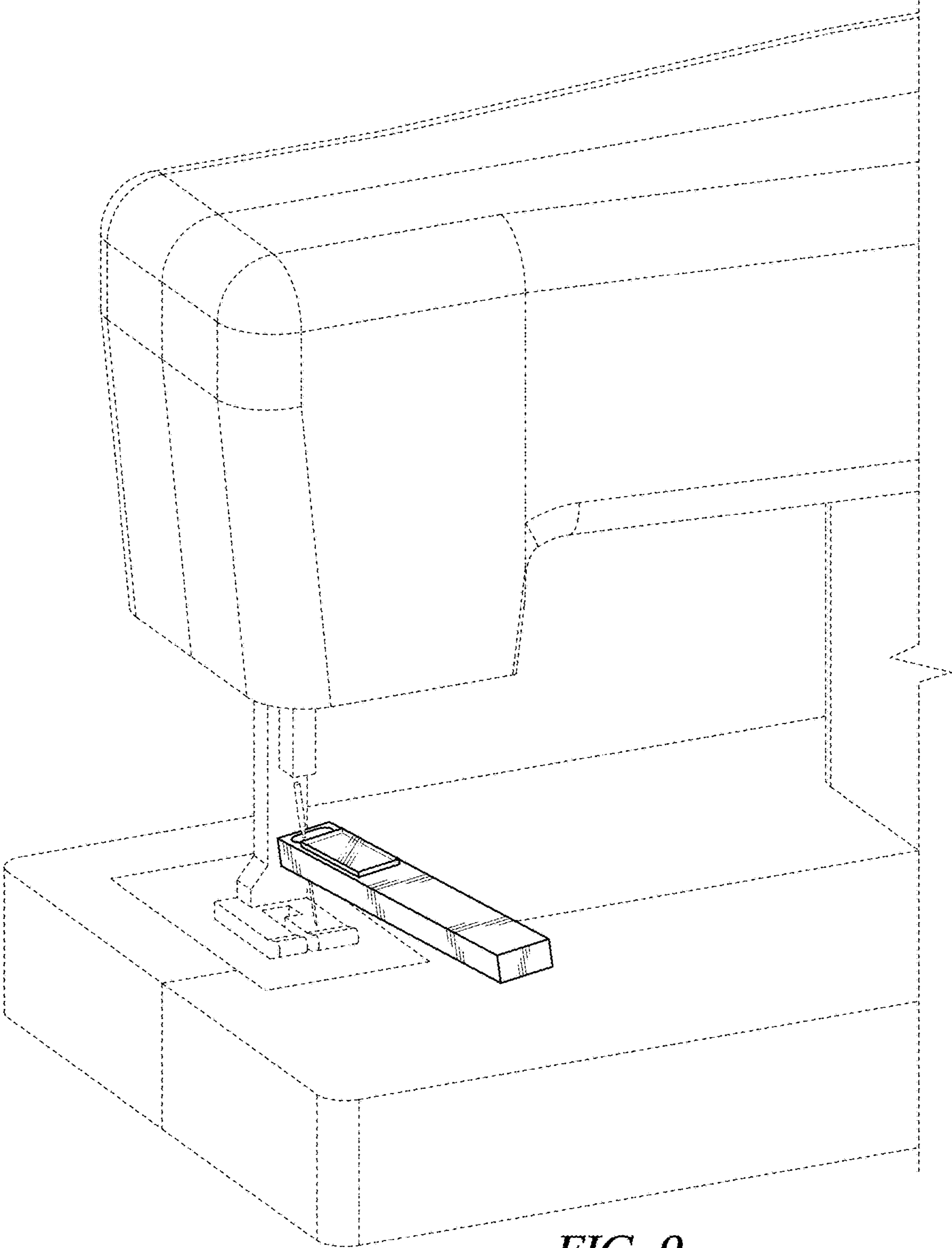


FIG. 9