



US00D822371S

(12) **United States Design Patent** (10) **Patent No.:** **US D822,371 S**  
**Xie** (45) **Date of Patent:** **\*\* Jul. 10, 2018**

- (54) **OUTDOOR UMBRELLA HANDLE**
- (71) Applicant: **YOTRIO GROUP CO., LTD.**
- (72) Inventor: **Jianqiang Xie**, Linhai (CN)
- (73) Assignee: **Yotrio Group Co., Ltd.**, Linhai, Zhejiang (CN)
- (\*\*) Term: **15 Years**
- (21) Appl. No.: **29/615,167**
- (22) Filed: **Aug. 25, 2017**

D412,056 S *	7/1999	Wang	.....	D3/10
D446,005 S *	8/2001	Be Lue	.....	D3/11
D457,300 S *	5/2002	Kesinger	.....	D3/10
D465,915 S *	11/2002	Earnshaw	.....	D3/10
D517,307 S *	3/2006	Ko	.....	D3/10
D574,144 S *	8/2008	Ortiz-Gavin	.....	D3/10
D599,104 S *	9/2009	Birsen	.....	D3/10
D622,953 S *	9/2010	Lai	.....	D3/10
D623,395 S *	9/2010	Liao	.....	D3/10
D634,114 S *	3/2011	Liao	.....	D3/10
D668,446 S *	10/2012	Patzak	.....	D3/10
D685,568 S *	7/2013	You	.....	D3/10
D721,886 S *	2/2015	Elazar	.....	D3/10
D723,262 S *	3/2015	Macmillan	.....	D3/10
D732,816 S *	6/2015	Kazyaka	.....	D3/10

(Continued)

**Related U.S. Application Data**

- (63) Continuation-in-part of application No. 29/540,845, filed on Sep. 29, 2015.
- (51) **LOC (11) Cl.** ..... **03-03**
- (52) **U.S. Cl.**  
USPC ..... **D3/12**
- (58) **Field of Classification Search**  
USPC ..... D3/5, 6, 10, 11, 12, 13, 14, 16, 17  
CPC ..... A45B 25/02; A45B 21/00; A45B 25/18;  
A45B 13/00; A45B 25/14; A45B 25/143;  
A45B 19/04; A45B 25/24; A45B 19/06  
See application file for complete search history.

*Primary Examiner* — John Windmuller

*Assistant Examiner* — Steven J Czyz

(74) *Attorney, Agent, or Firm* — Jingming (James) Cai;  
SAC Attorneys LLP

(57) **CLAIM**

The ornamental design for an outdoor umbrella handle, as shown and described.

**DESCRIPTION**

FIG. 1 is a front perspective view of an outdoor umbrella handle;

FIG. 2 is a front elevation view thereof

FIG. 3 is a rear elevation view thereof;

FIG. 4 is a right side elevation view thereof;

FIG. 5 is a left side elevation view thereof;

FIG. 6 is a top plan view thereof; and,

FIG. 7 is a bottom view thereof.

Portions of the outdoor umbrella handle are shown broken away to indicate that they have no particular length beyond what is shown.

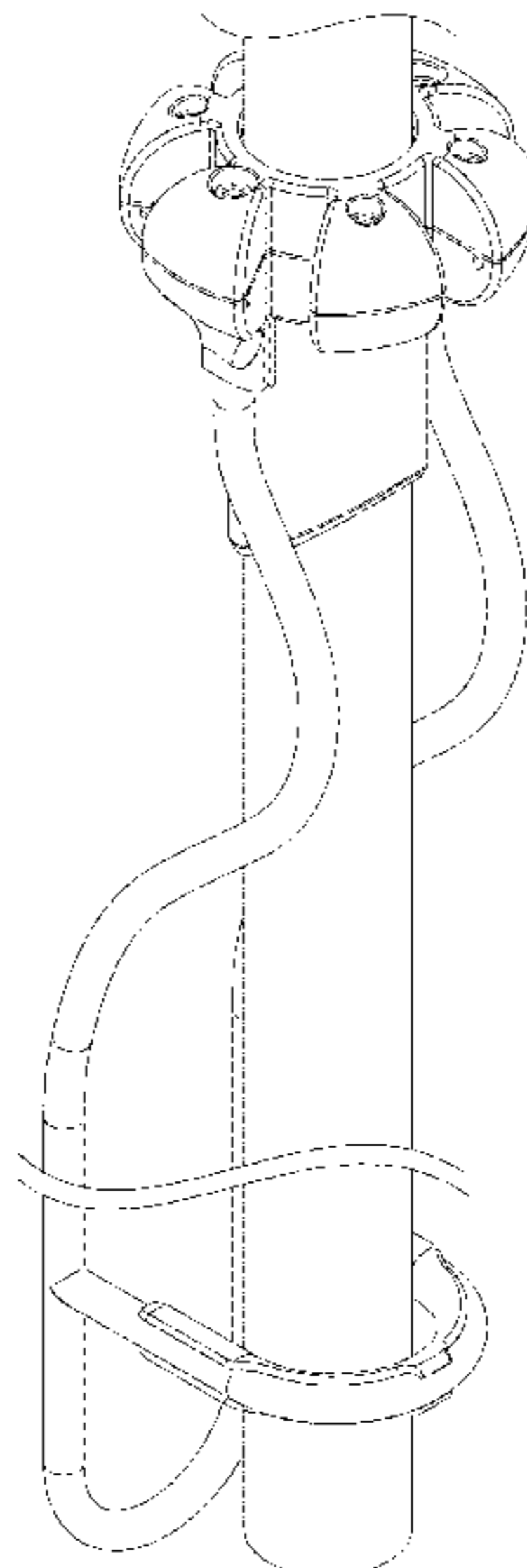
The broken lines depict portions of the article that form no part of the claimed design.

(56) **References Cited**

**U.S. PATENT DOCUMENTS**

3,237,899 A *	3/1966	Lewis	.....	A45B 11/00 135/44
D231,955 S *	6/1974	Weber et al.	.....	D3/10
D252,318 S *	7/1979	Kriegner	.....	D34/15
D279,834 S *	7/1985	Falzett	.....	D3/10
D314,663 S *	2/1991	Seidel	.....	D3/10
D320,111 S *	9/1991	Ma	.....	135/28
D321,779 S *	11/1991	Ma	.....	D3/10
D386,323 S *	11/1997	Davis	.....	D3/10
D389,334 S *	1/1998	Attridge	.....	D3/10
D396,185 S *	7/1998	Fraser	.....	D3/10

**1 Claim, 7 Drawing Sheets**



(56)

**References Cited**

U.S. PATENT DOCUMENTS

D738,100	S *	9/2015	Forthuber	.....	D3/10
D757,421	S *	5/2016	Chaloux	.....	D3/10
D770,758	S *	11/2016	Chaloux	.....	D3/10
2003/0094189	A1 *	5/2003	Ko	.....	A45B 9/02 135/16
2004/0135055	A1 *	7/2004	Rizk	.....	A45B 11/00 248/539
2010/0071737	A1 *	3/2010	Gourdine	.....	A45B 11/00 135/16
2012/0043448	A1 *	2/2012	Liao	.....	A45B 11/00 248/534
2012/0132779	A1 *	5/2012	Johnson	.....	E04H 12/2269 248/513
2016/0083048	A1 *	3/2016	Munsch	.....	B63B 17/02 248/539

\* cited by examiner

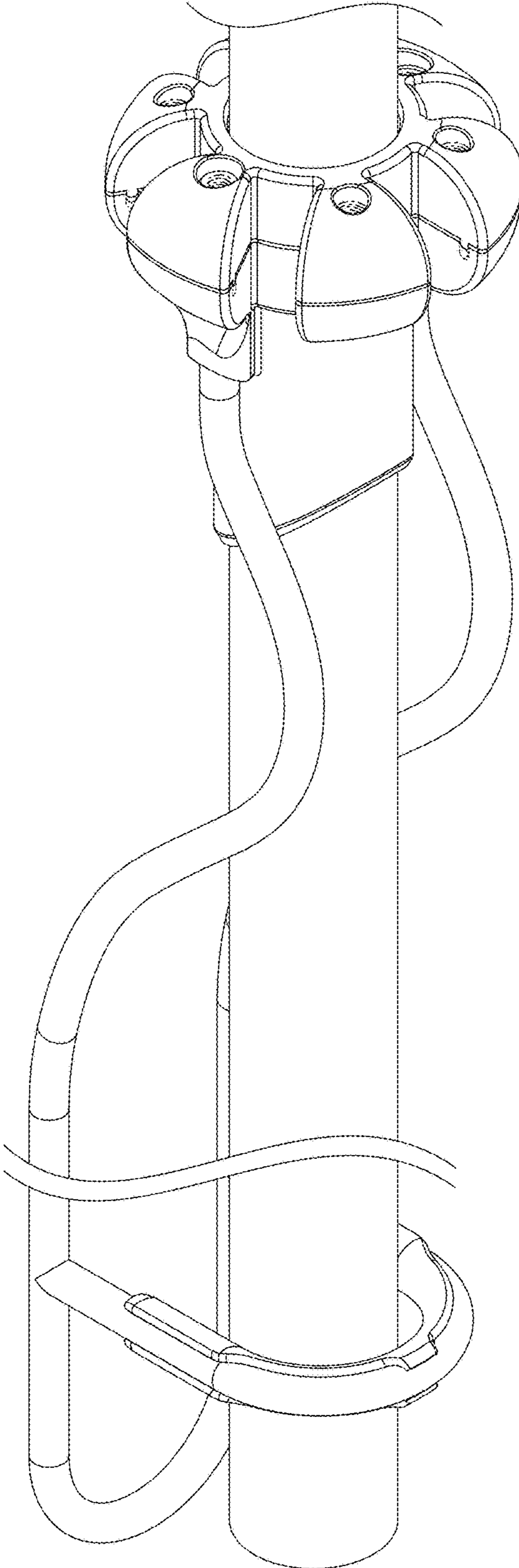


FIG. 1

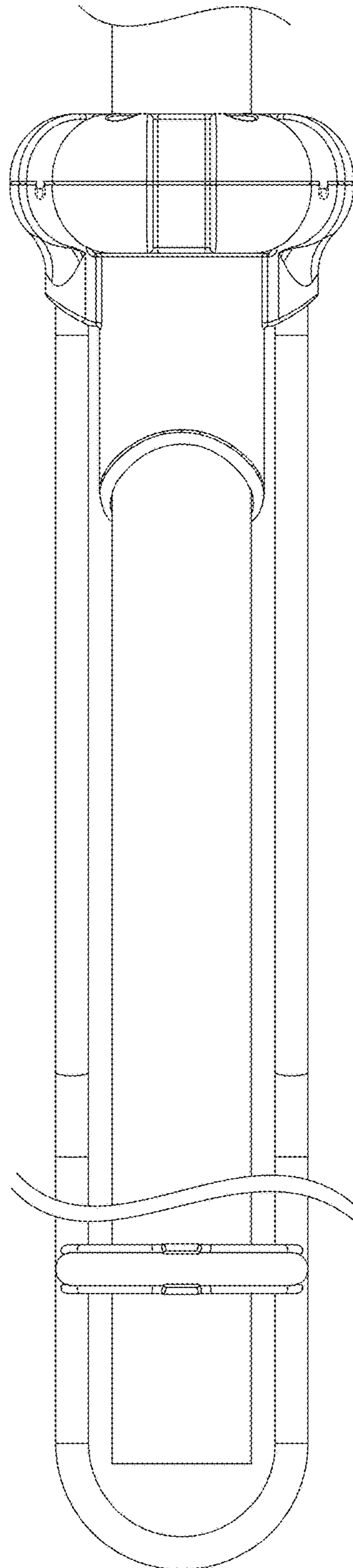


FIG. 2

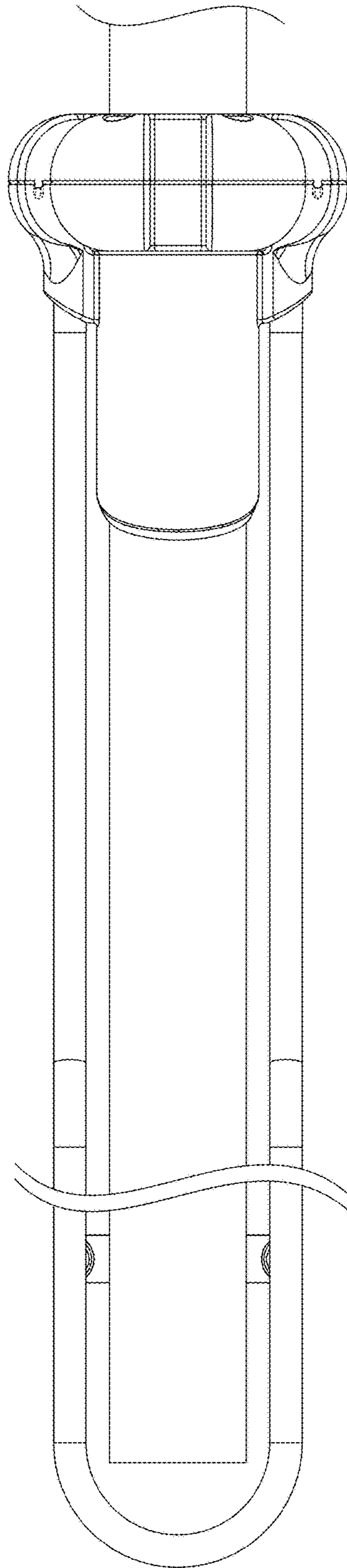


FIG. 3

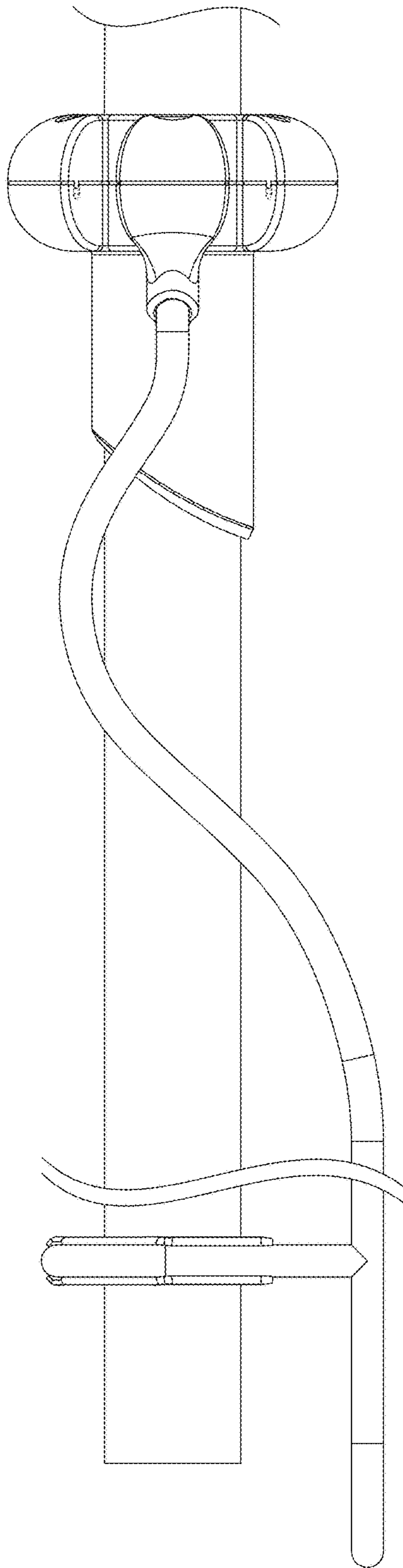


FIG. 4



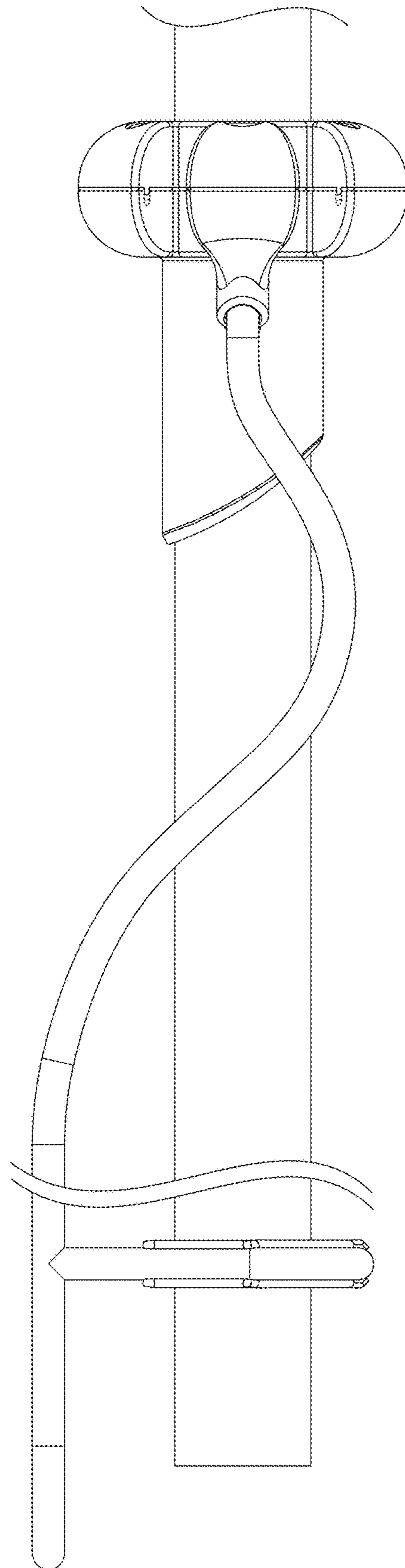


FIG. 5

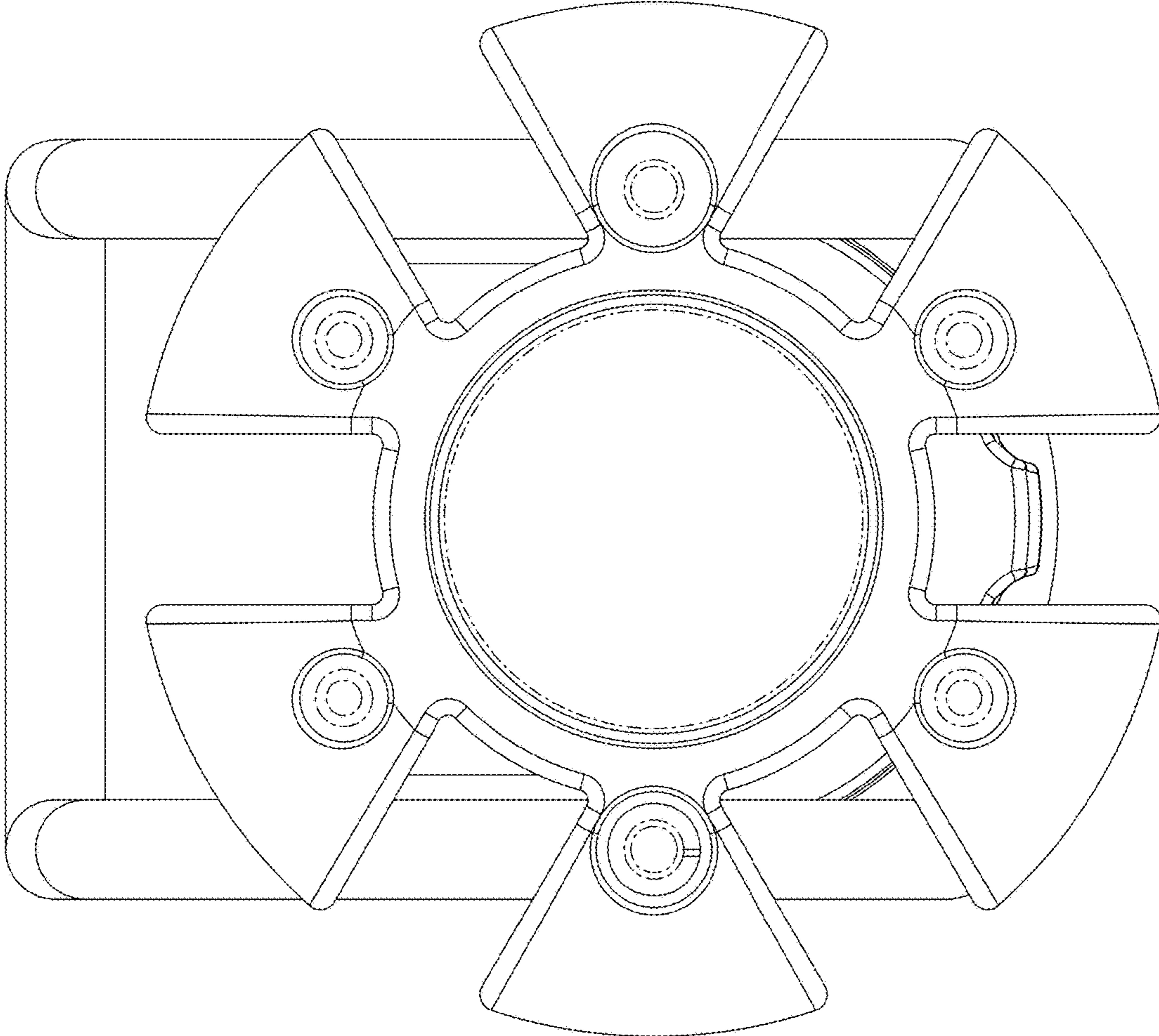


FIG. 6



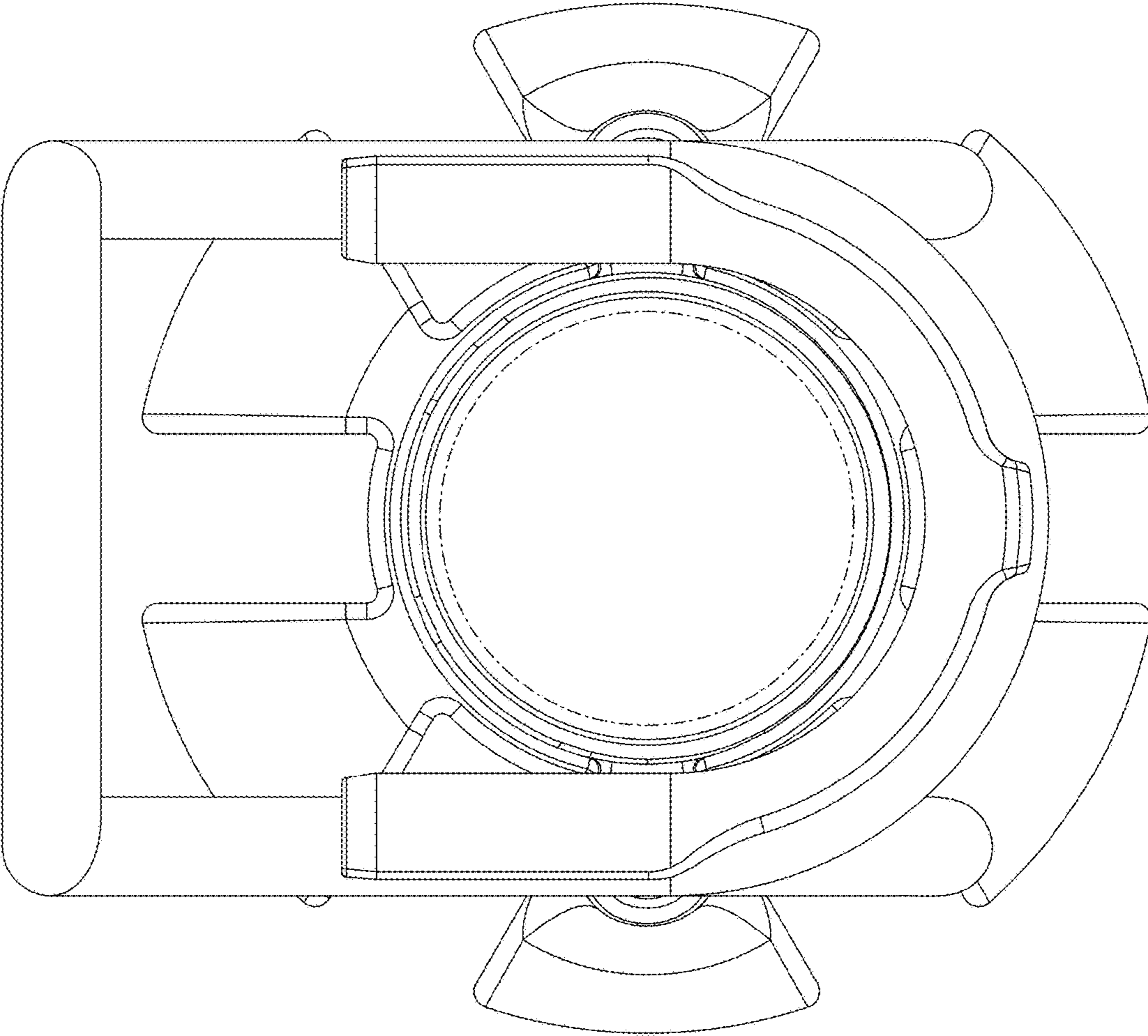


FIG. 7