



US00D822370S

(12) **United States Design Patent**
Wilczynski

(10) **Patent No.:** **US D822,370 S**

(45) **Date of Patent:** **** Jul. 10, 2018**

(54) **CELLULAR PHONE HOLDER FOR UMBRELLA**

(71) Applicant: **Bruce Wilczynski**, Villa Park, IL (US)

(72) Inventor: **Bruce Wilczynski**, Villa Park, IL (US)

(**) Term: **15 Years**

(21) Appl. No.: **29/595,748**

(22) Filed: **Mar. 1, 2017**

(51) **LOC (11) Cl.** **03-01**

(52) **U.S. Cl.**
USPC **D3/10**

(58) **Field of Classification Search**
USPC D3/5, 10, 11, 13, 14, 218; D14/250
CPC A45B 2025/003; A45B 25/30; A45B
2200/1018; A45B 2200/1054; A45B
2009/002

See application file for complete search history.

(56) **References Cited**

U.S. PATENT DOCUMENTS

D325,297 S *	4/1992	Lipscomb	D22/117
D346,085 S *	4/1994	Wagner	D3/218
D368,800 S *	4/1996	Shink	D3/218
D371,137 S *	6/1996	Kriegh	D14/253
D372,145 S *	7/1996	Elmer	D3/218
D374,767 S *	10/1996	Leach	D3/218
6,338,419 B1 *	1/2002	Penney	A01G 9/022 220/475
D575,056 S *	8/2008	Tan	D3/201
D613,282 S *	4/2010	Richardson	D14/250
D624,064 S *	9/2010	Esposito	D14/250
D628,374 S *	12/2010	Lee	D3/201
D631,246 S *	1/2011	Boettner	D3/203.2
D631,650 S *	2/2011	Li	D3/218
D641,154 S *	7/2011	Smith	D3/218
D642,792 S *	8/2011	Tremblay	D3/218

D654,914 S *	2/2012	Martin	D14/250
D657,354 S *	4/2012	Kim	D14/250
D659,691 S *	5/2012	Kim	D14/250
8,327,863 B1 *	12/2012	Dupree	A45F 5/00 135/16
D677,250 S *	3/2013	Takamoto	D14/250
D684,357 S *	6/2013	Pegg	D3/218
D687,039 S *	7/2013	Wyers	D14/439
D689,852 S *	9/2013	Azoulay	D14/250
D748,612 S *	2/2016	Chan	D14/250
D748,614 S *	2/2016	Ju	D14/250
D759,641 S *	6/2016	Lai	D14/250
D778,273 S *	2/2017	Kim	D14/250
D784,976 S *	4/2017	Cebe	D14/250
2006/0207640 A1 *	9/2006	Connelly	A45B 11/00 135/33.41

* cited by examiner

Primary Examiner — John Windmuller

Assistant Examiner — Steven J Czyz

(74) *Attorney, Agent, or Firm* — Gulf Coast Intellectual Property Group

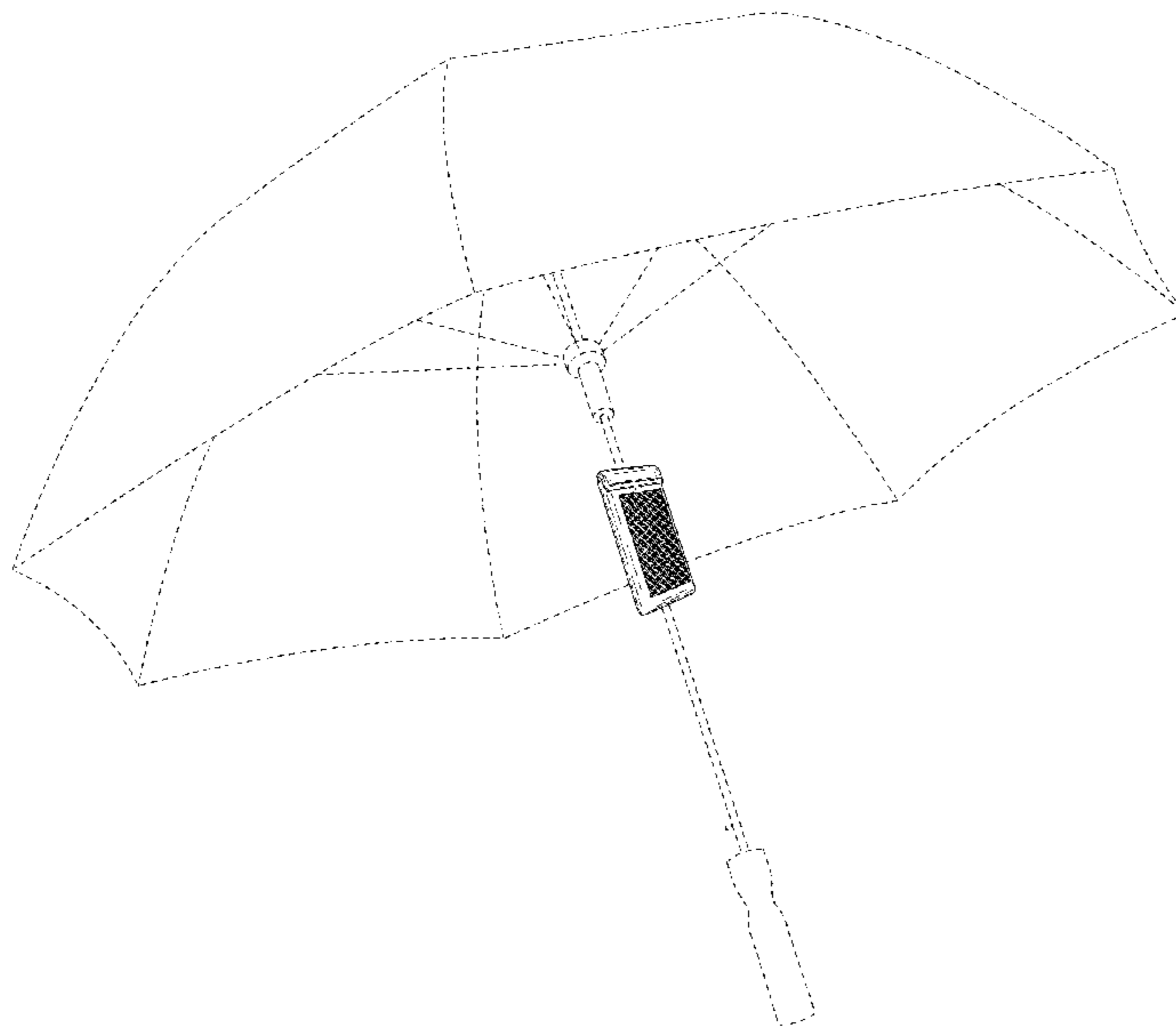
(57) **CLAIM**

The ornamental design for a cellular phone holder for umbrella, as shown and described.

DESCRIPTION

FIG. 1 is a perspective view of a cellular phone holder for umbrella of the present invention; FIG. 2 is front view thereof; and FIG. 3 is a rear view thereof; and FIG. 4 is a right side view thereof; and FIG. 5 is a left side thereof; and FIG. 6 is a top view thereof; and FIG. 7 is a bottom view thereof. The broken lines depict environment that forms no part of the claimed design.

1 Claim, 4 Drawing Sheets



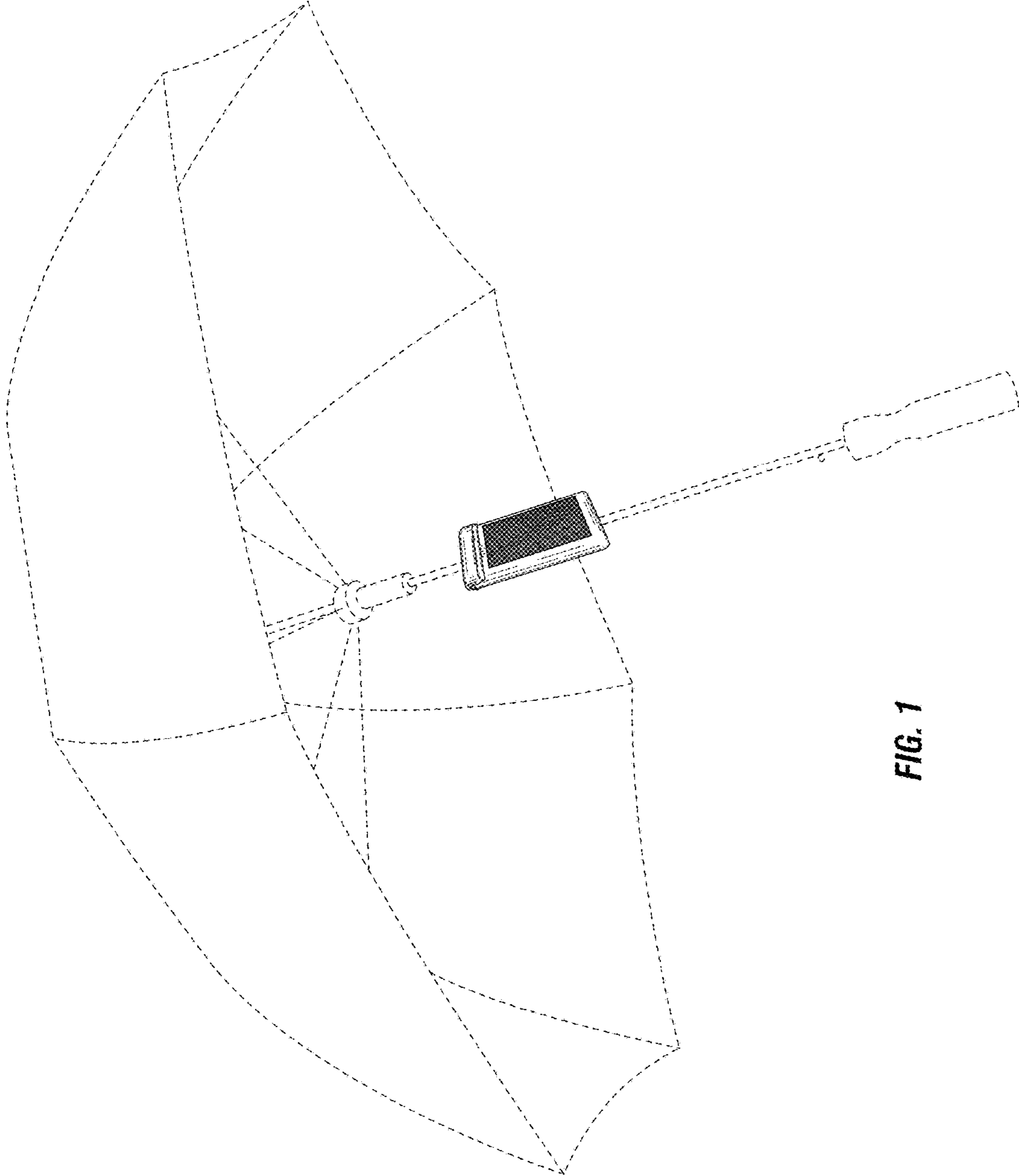


FIG. 1

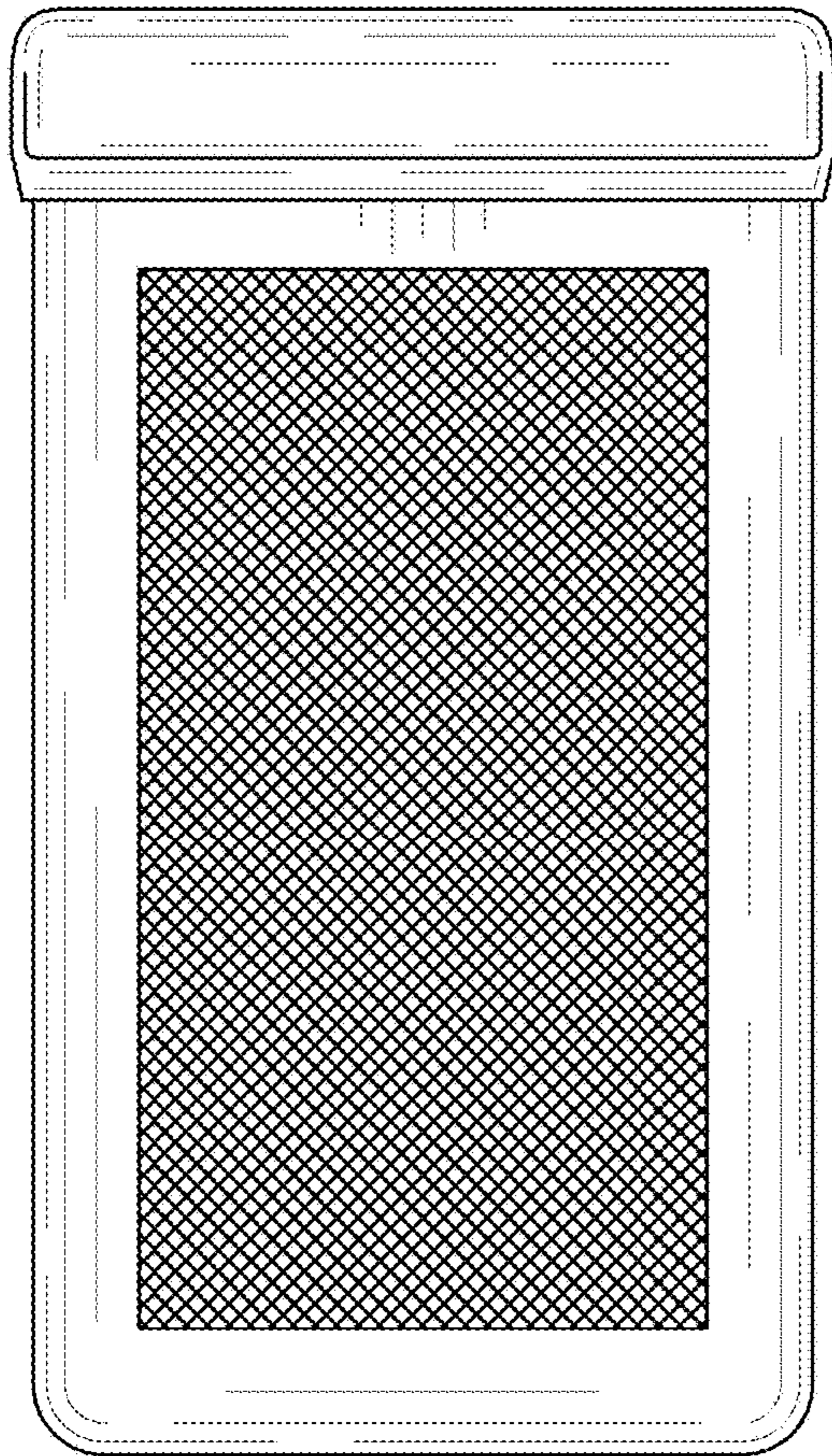


FIG. 2

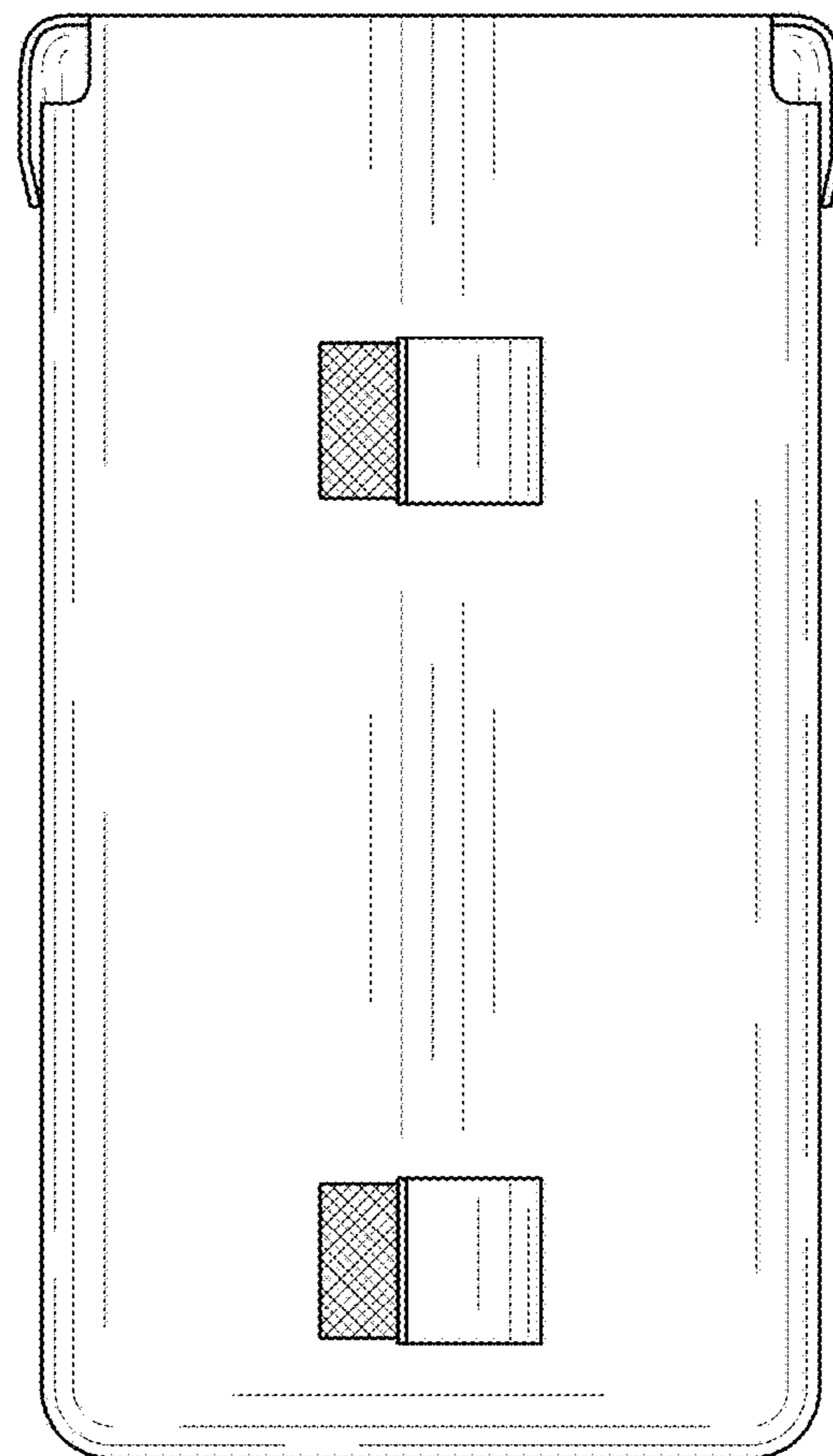


FIG. 3

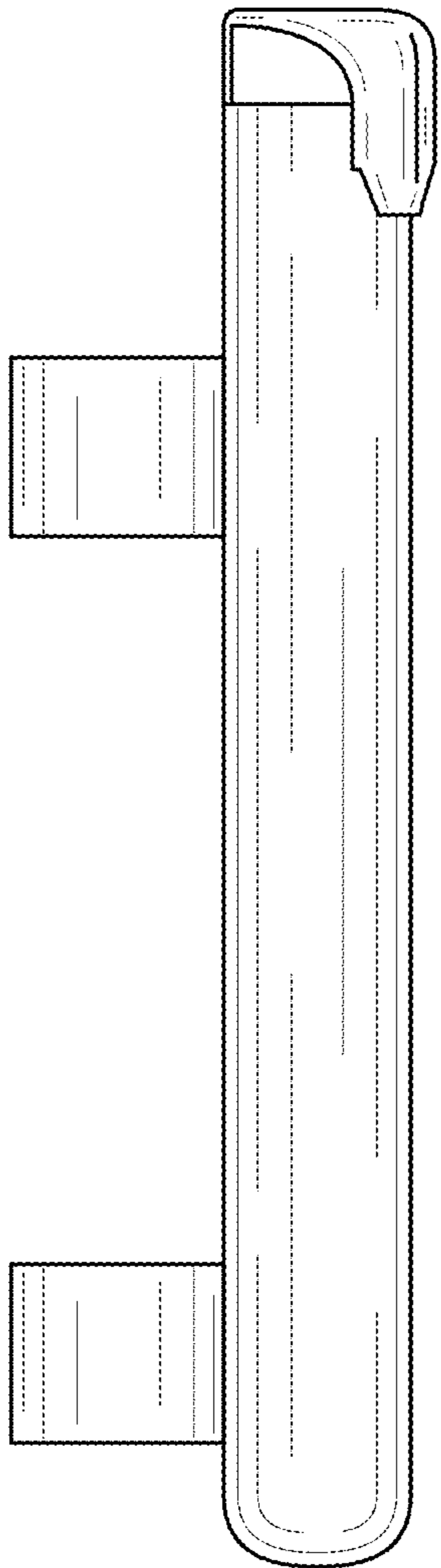


FIG. 4

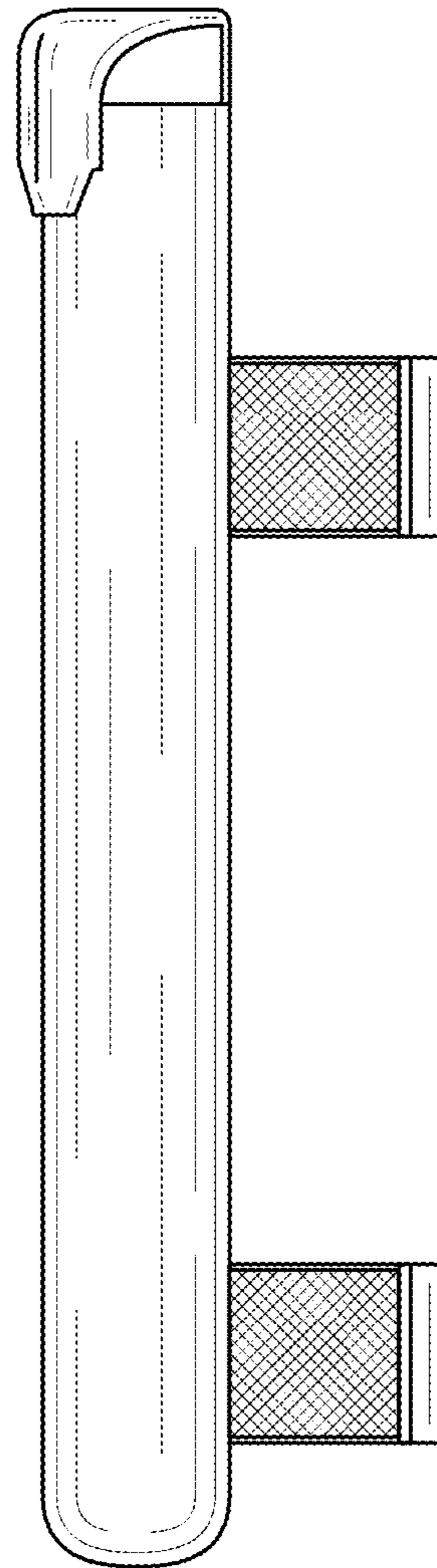


FIG. 5

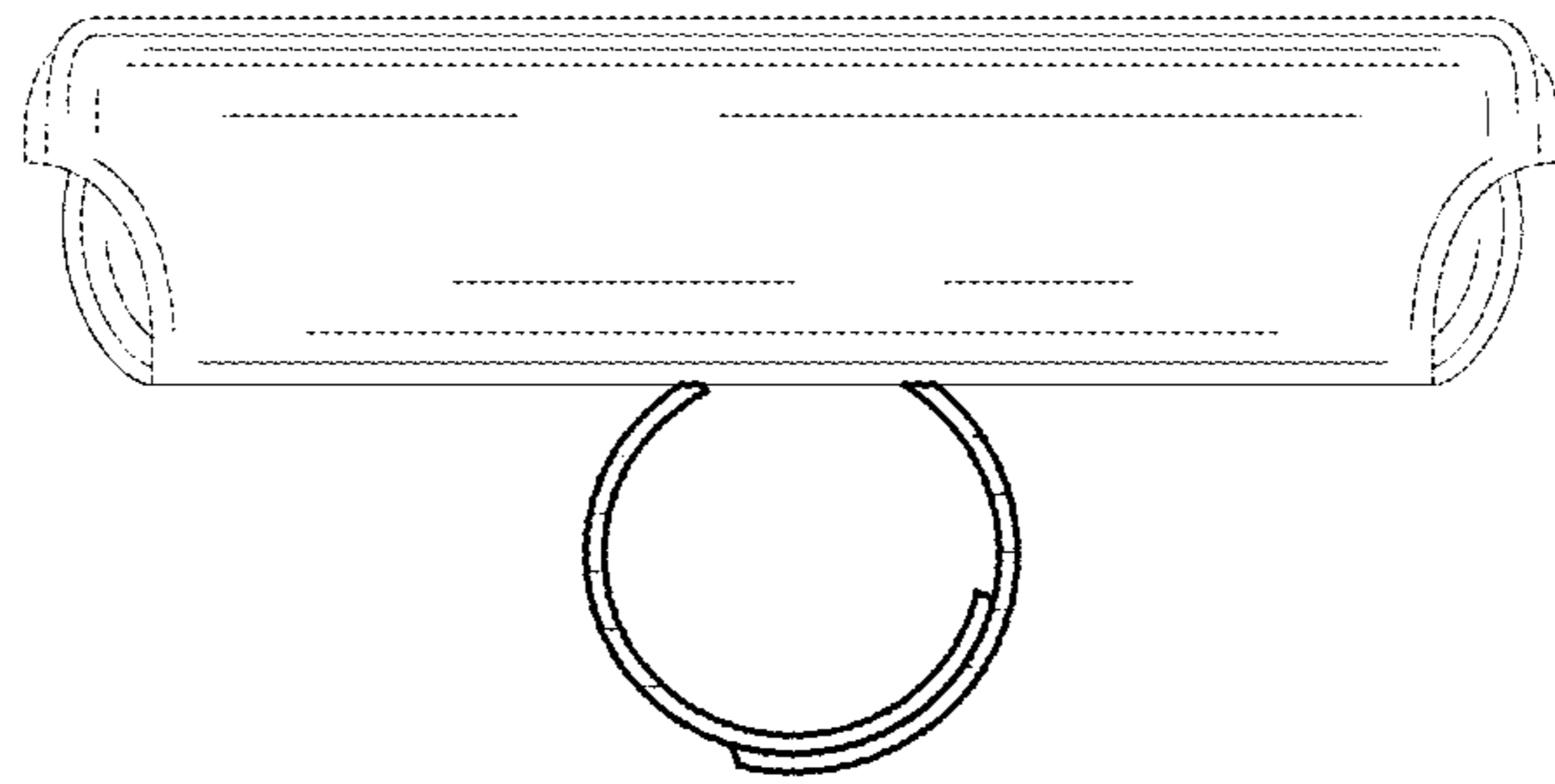


FIG. 6

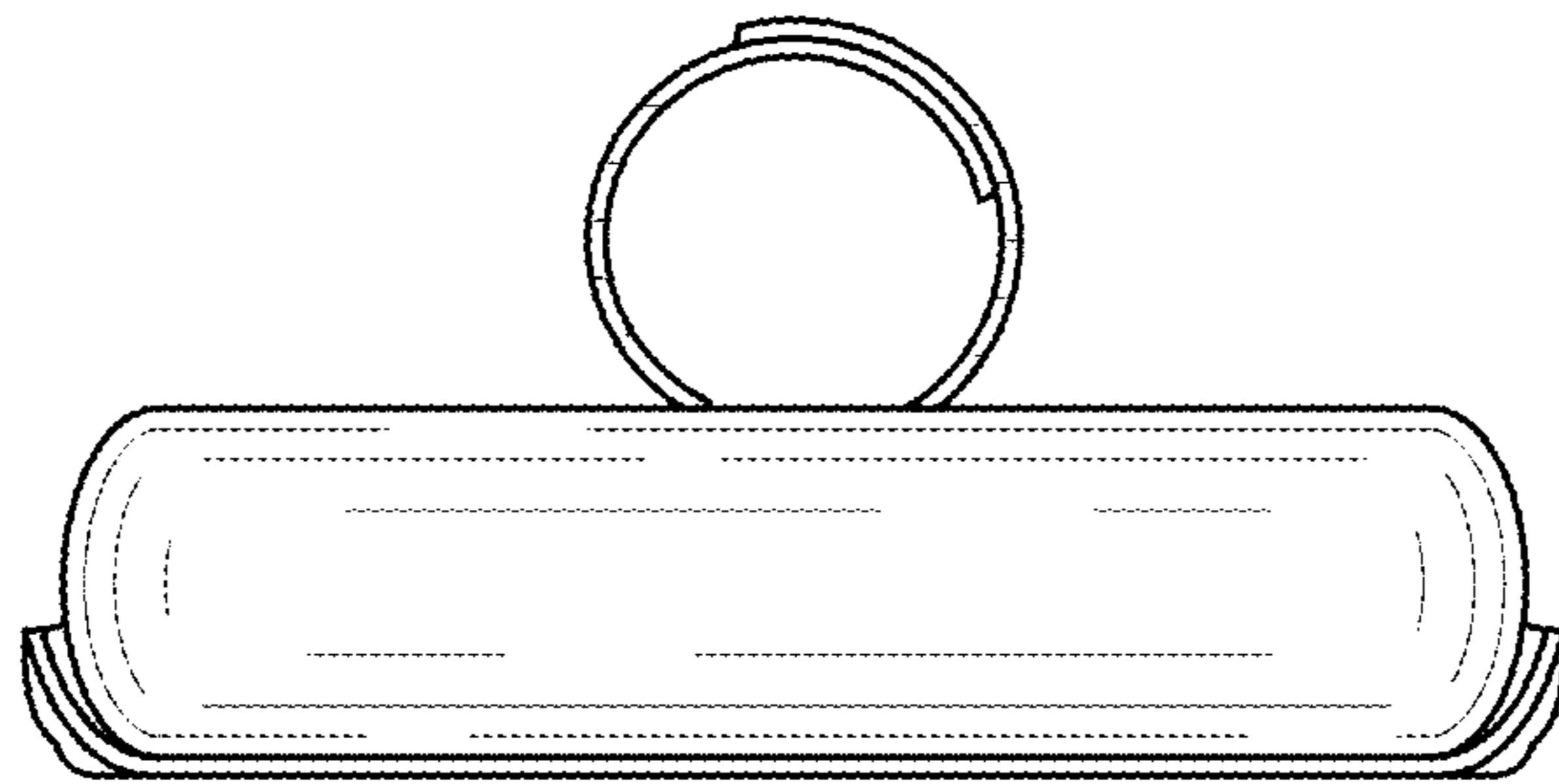


FIG. 7