



US00D822369S

(12) **United States Design Patent**
Hong

(10) **Patent No.:** **US D822,369 S**

(45) **Date of Patent:** **** Jul. 10, 2018**

(54) **INVERTED UMBRELLA**

(71) Applicant: **Aijuan Hong**, Tonglu (CN)

(72) Inventor: **Aijuan Hong**, Tonglu (CN)

(**) Term: **15 Years**

(21) Appl. No.: **29/588,469**

(22) Filed: **Dec. 21, 2016**

(51) **LOC (11) Cl.** **03-03**

(52) **U.S. Cl.**
USPC **D3/5**

(58) **Field of Classification Search**
USPC D2/5, 6, 7, 9, 10, 11, 14, 15, 16, 17;
D3/909, 910; D21/687, 686, 801, 803,
D21/835

CPC A45B 19/02
See application file for complete search history.

(56) **References Cited**

U.S. PATENT DOCUMENTS

4,790,338	A *	12/1988	Strobl	A45B 3/00 135/16
D311,639	S *	10/1990	Ibanez	D3/11
D373,465	S *	9/1996	Chipman	135/33.2
D373,466	S *	9/1996	Chipman	135/33.2
D373,467	S *	9/1996	Chipman	135/33.2

D648,932	S *	11/2011	Merrell	D3/12
8,607,808	B1 *	12/2013	You	A45B 25/22 135/25.33
D755,500	S *	5/2016	Vaitl	D3/5
D759,955	S *	6/2016	Ma	D3/10
2004/0099296	A1 *	5/2004	Chang	A45B 19/02 135/20.2
2011/0041883	A1 *	2/2011	Vaitl	A45B 19/02 135/20.2
2013/0152985	A1 *	6/2013	Vaitl	A45B 19/02 135/20.2

* cited by examiner

Primary Examiner — John Windmuller

Assistant Examiner — Benjamin M Weeks

(74) *Attorney, Agent, or Firm* — Wayne & King LLC

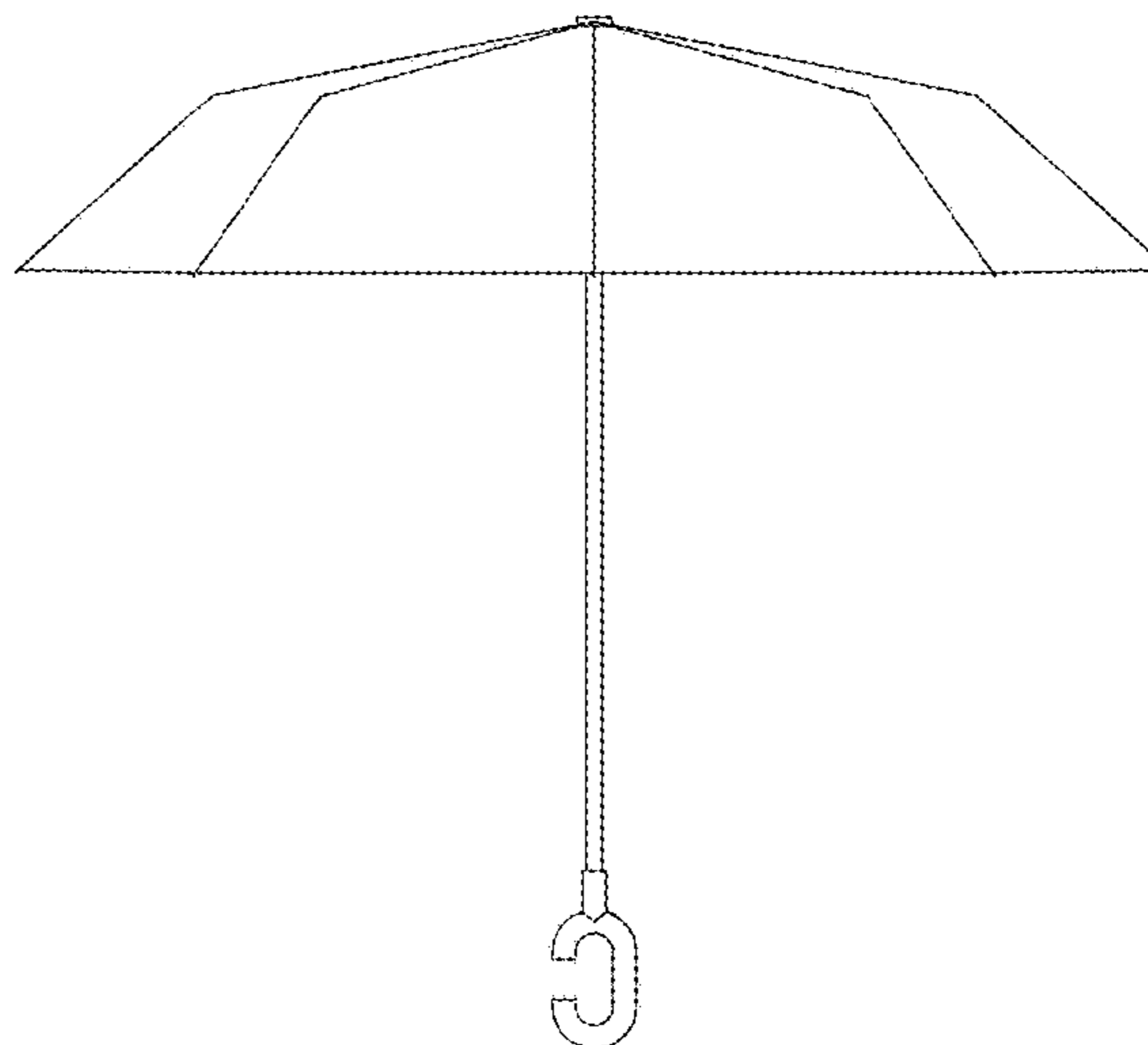
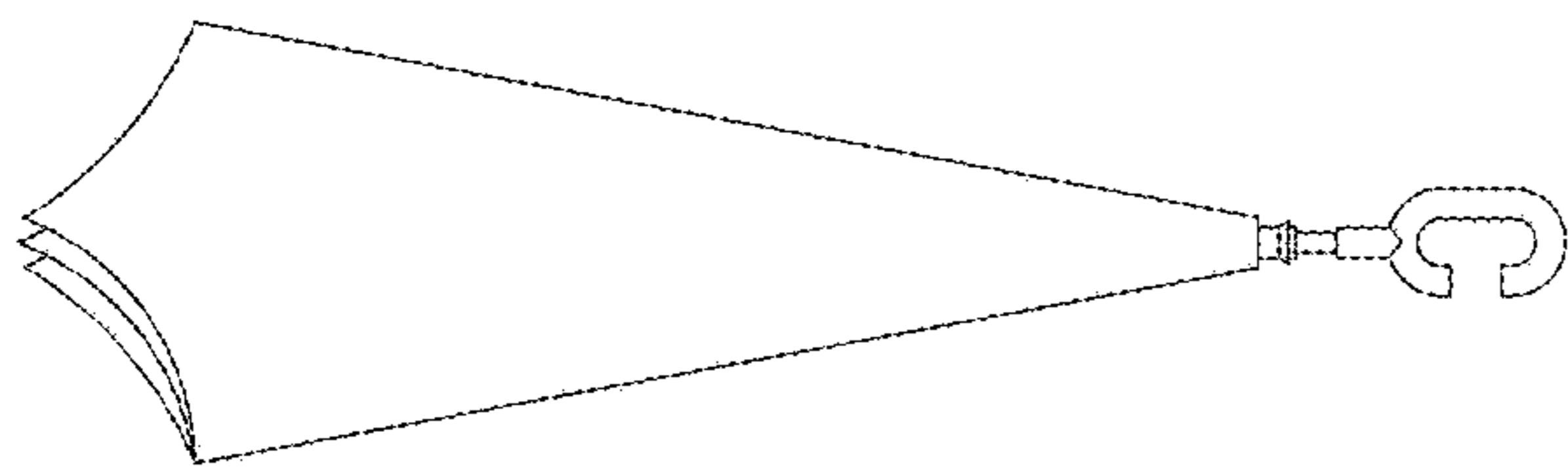
(57) **CLAIM**

The ornamental design for inverted umbrella, as shown and described.

DESCRIPTION

FIG. 1 is perspective view showing my design;
FIG. 2 is a folding view showing my design;
FIG. 3 is a right side view showing my design;
FIG. 4 is a top plan view showing my design; and,
FIG. 5 is a bottom plan view showing my design.

1 Claim, 5 Drawing Sheets



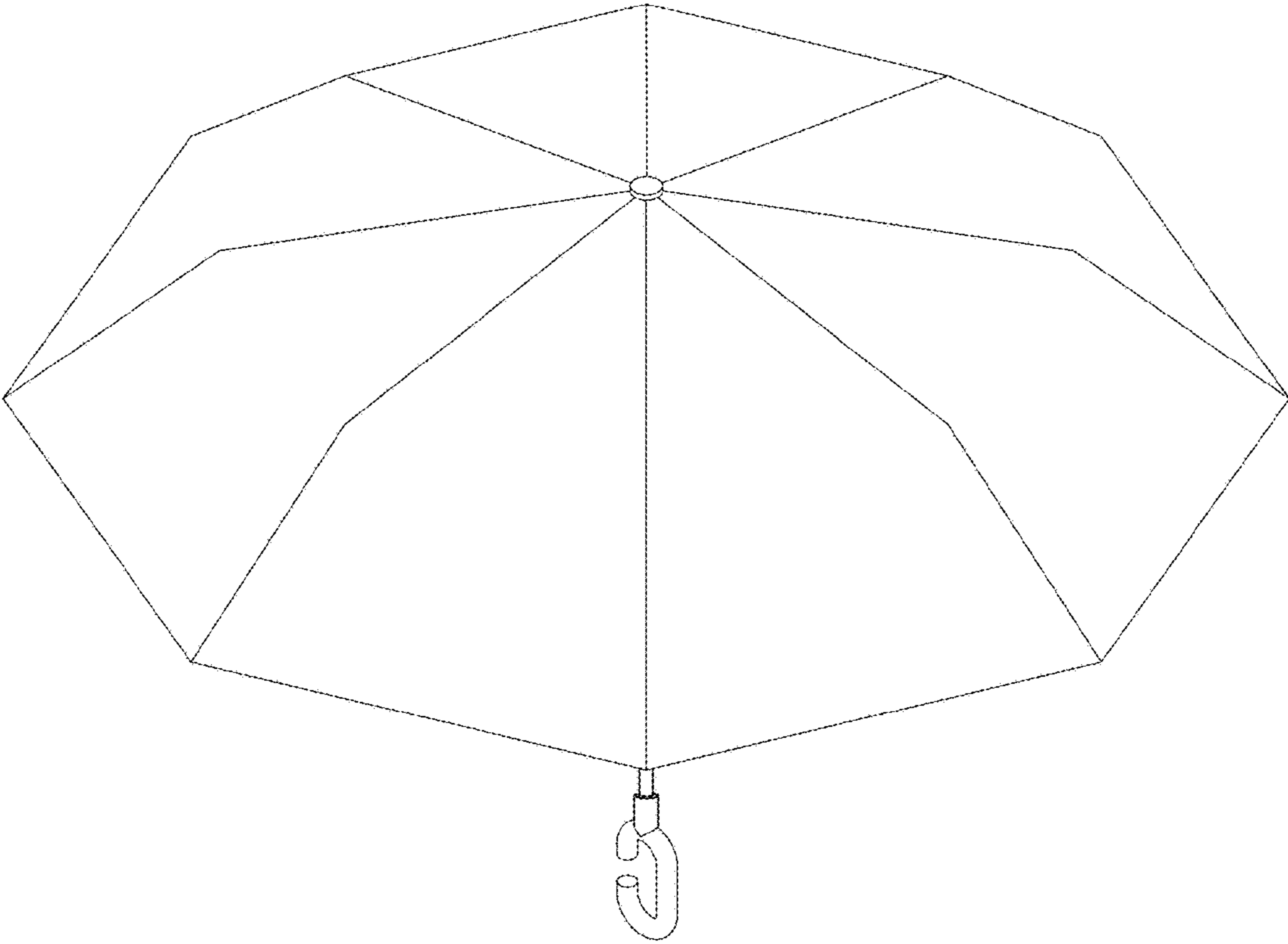


FIG. 1

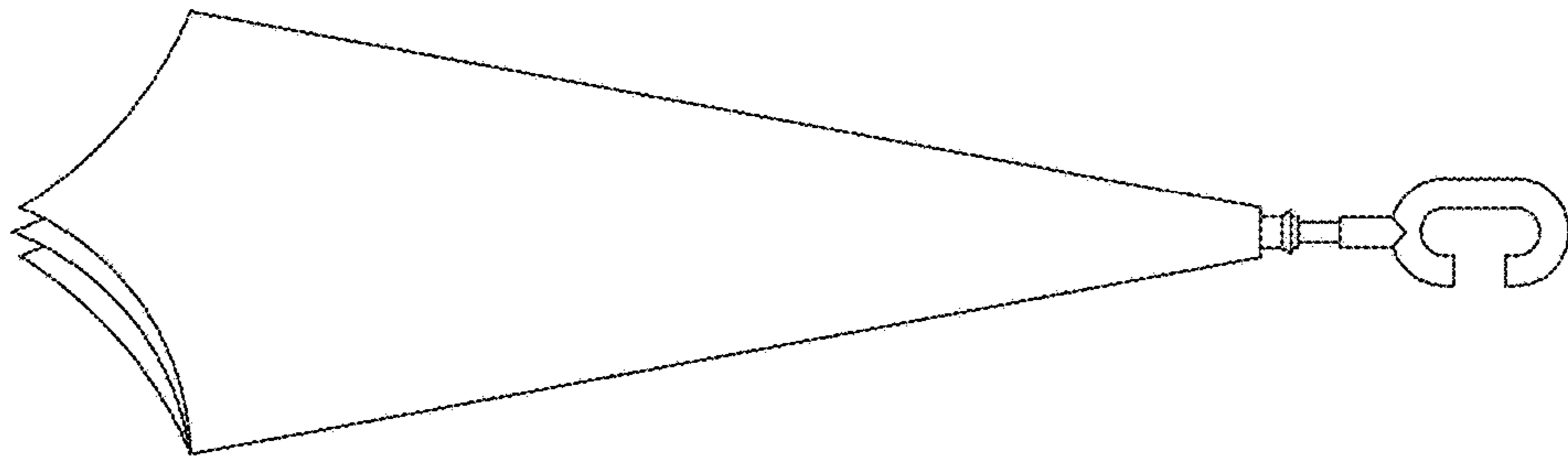


FIG. 2

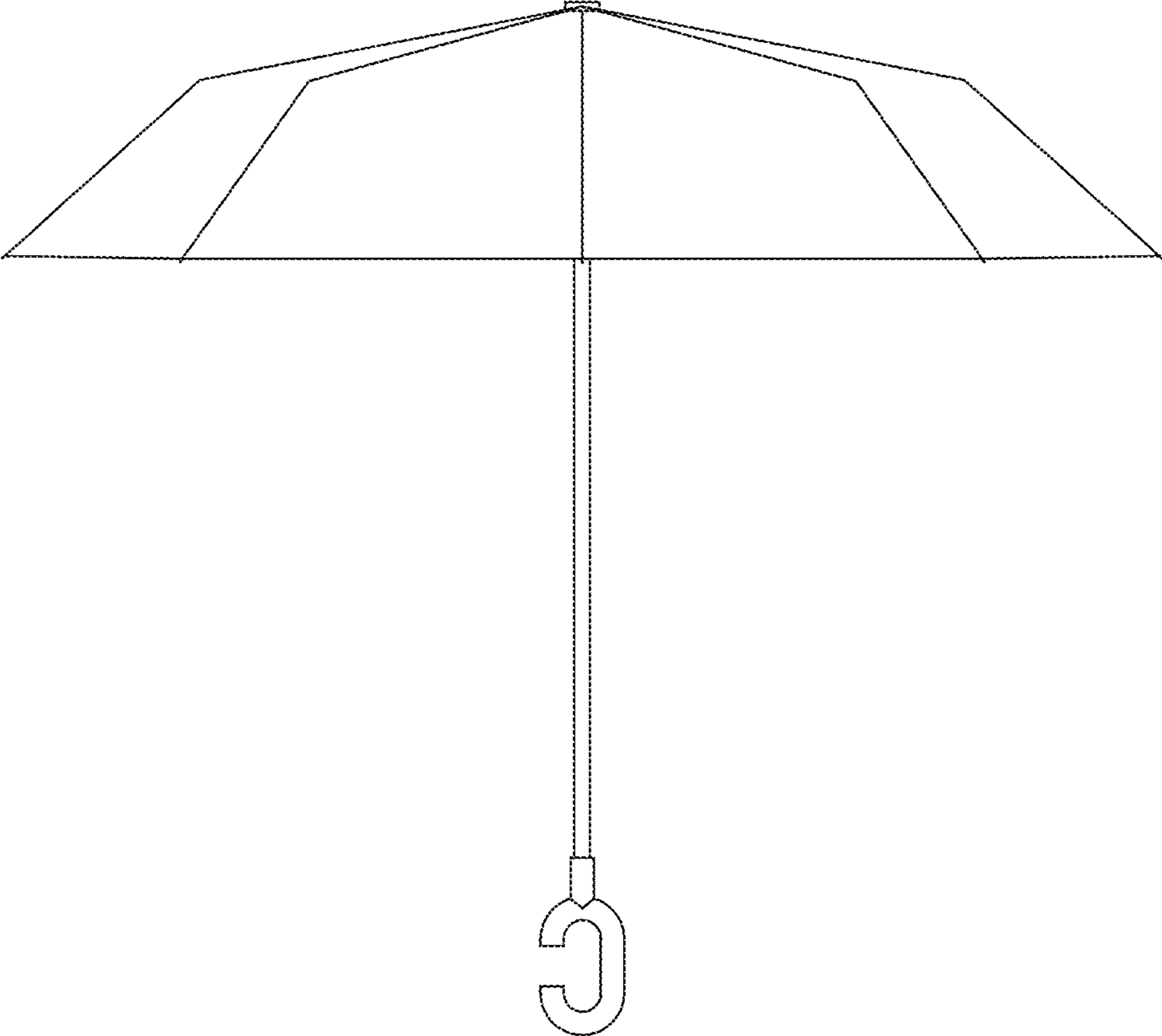


FIG.3

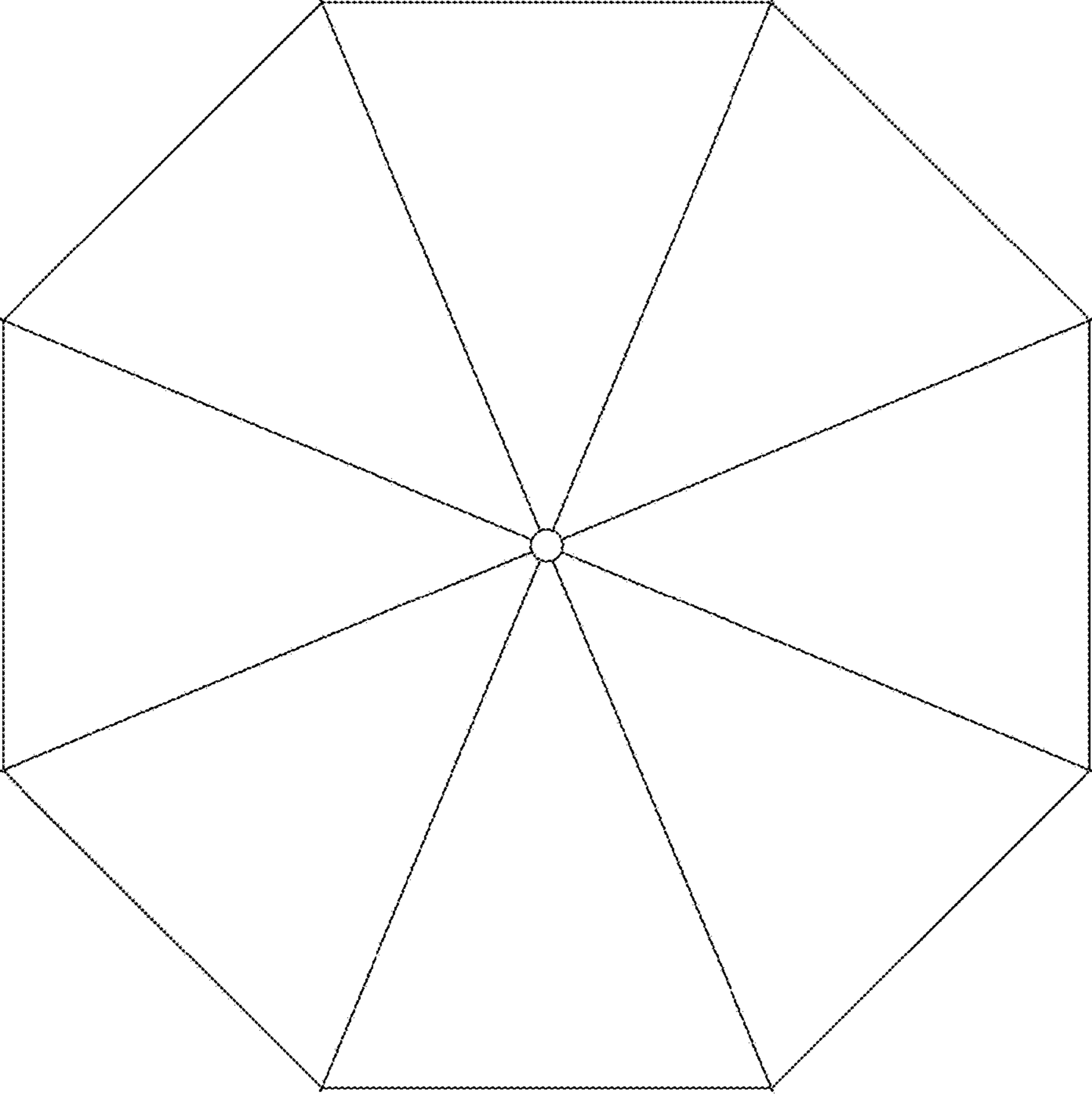


FIG.4

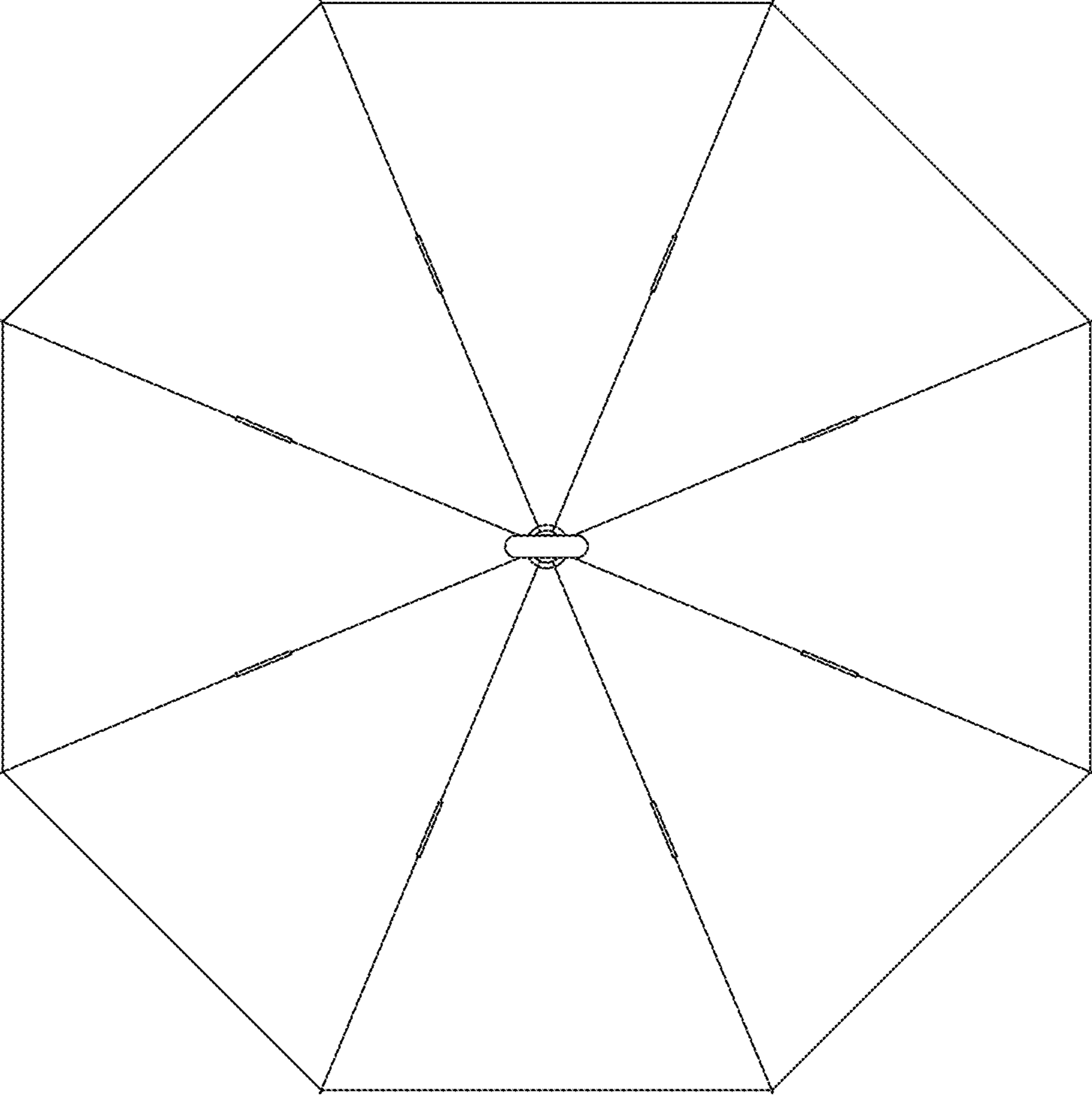


FIG.5