



US00D822356S

(12) **United States Design Patent**
Wolf

(10) **Patent No.:** **US D822,356 S**

(45) **Date of Patent:** **** Jul. 10, 2018**

(54) **BOOT UPPER**

(71) Applicant: **Dynasty Footwear, Ltd.**, El Segundo,
CA (US)

(72) Inventor: **Lisa Wolf**, Los Angeles, CA (US)

(73) Assignee: **Dynasty Footwear, Ltd.**, El Segundo,
CA (US)

(**) Term: **15 Years**

(21) Appl. No.: **29/590,824**

(22) Filed: **Jan. 13, 2017**

(51) **LOC (11) Cl.** **02-04**

(52) **U.S. Cl.**
USPC **D2/970**

(58) **Field of Classification Search**
USPC D2/896, 900, 909–911, 943, 946, 969,
D2/970, 974
CPC A43B 3/16; A43B 23/00; A43B 23/02
See application file for complete search history.

(56) **References Cited**

U.S. PATENT DOCUMENTS

D543,339 S * 5/2007 Choi D2/946
D579,645 S * 11/2008 Guers-Neyraud D2/970

D586,983 S * 2/2009 Van Hulle D2/910
D762,961 S * 8/2016 McClaskie D2/911
D762,962 S * 8/2016 McClaskie D2/911
D769,597 S * 10/2016 McClaskie D2/970
D769,598 S * 10/2016 McClaskie D2/910
D770,156 S * 11/2016 McClaskie D2/970

* cited by examiner

Primary Examiner — Holly H Baynham

Assistant Examiner — Rashida C. Walshon

(74) *Attorney, Agent, or Firm* — Joseph G. Swan, P.C.

(57) **CLAIM**

The ornamental design for a boot upper, as shown and described.

DESCRIPTION

FIG. 1 is a perspective view of a boot upper according to the present invention.

FIG. 2 is a right side elevational view of the boot upper.

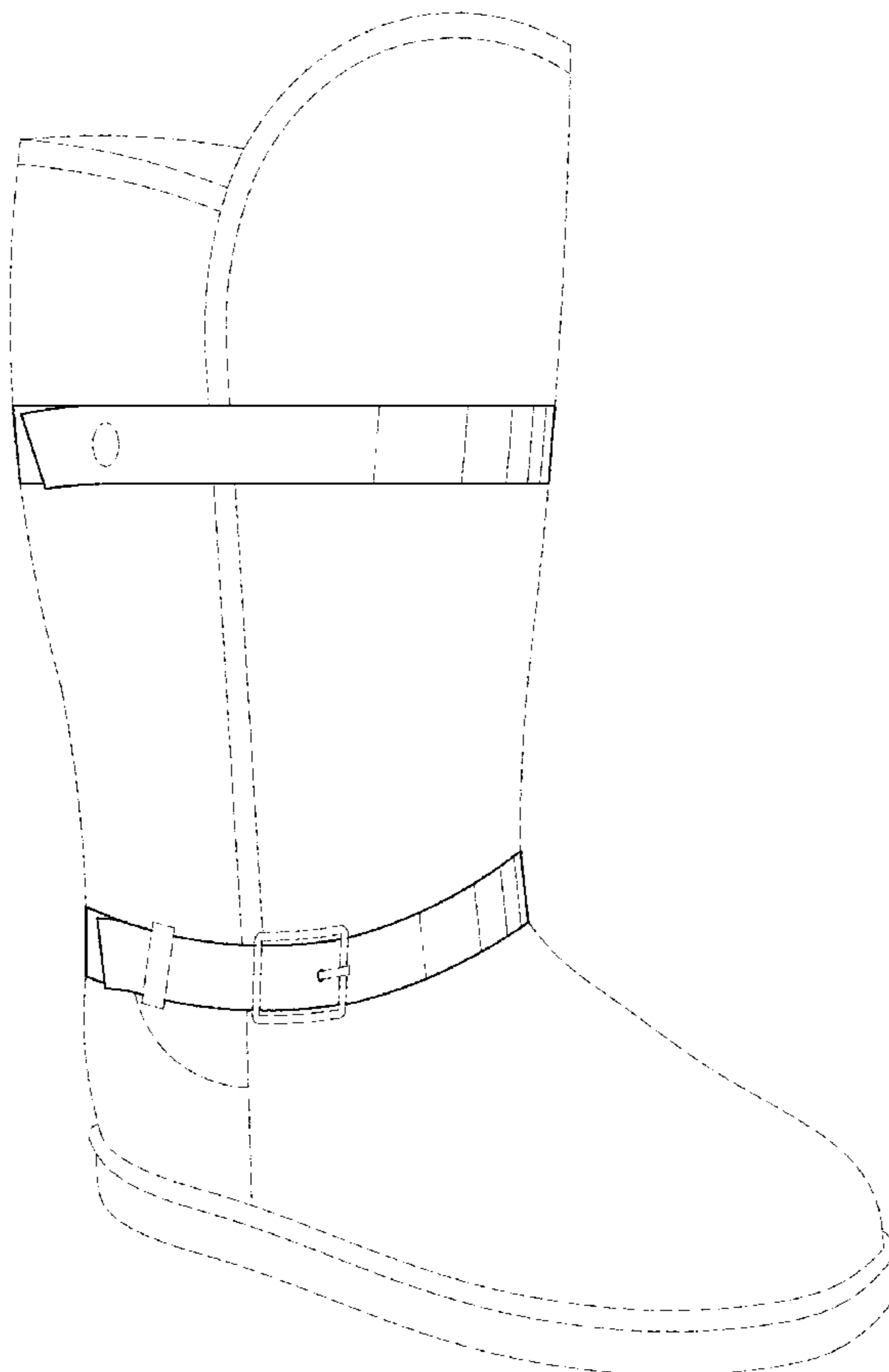
FIG. 3 is a left side elevational view of the boot upper.

FIG. 4 is a front elevational view of the boot upper; and,

FIG. 5 is a rear elevational view of the boot upper.

The broken lines are solely for the purpose of illustrating unclaimed areas and form no part of the claimed design. The claimed design also is intended to encompass the opposite matching boot upper, i.e., the mirror image of that shown.

1 Claim, 4 Drawing Sheets



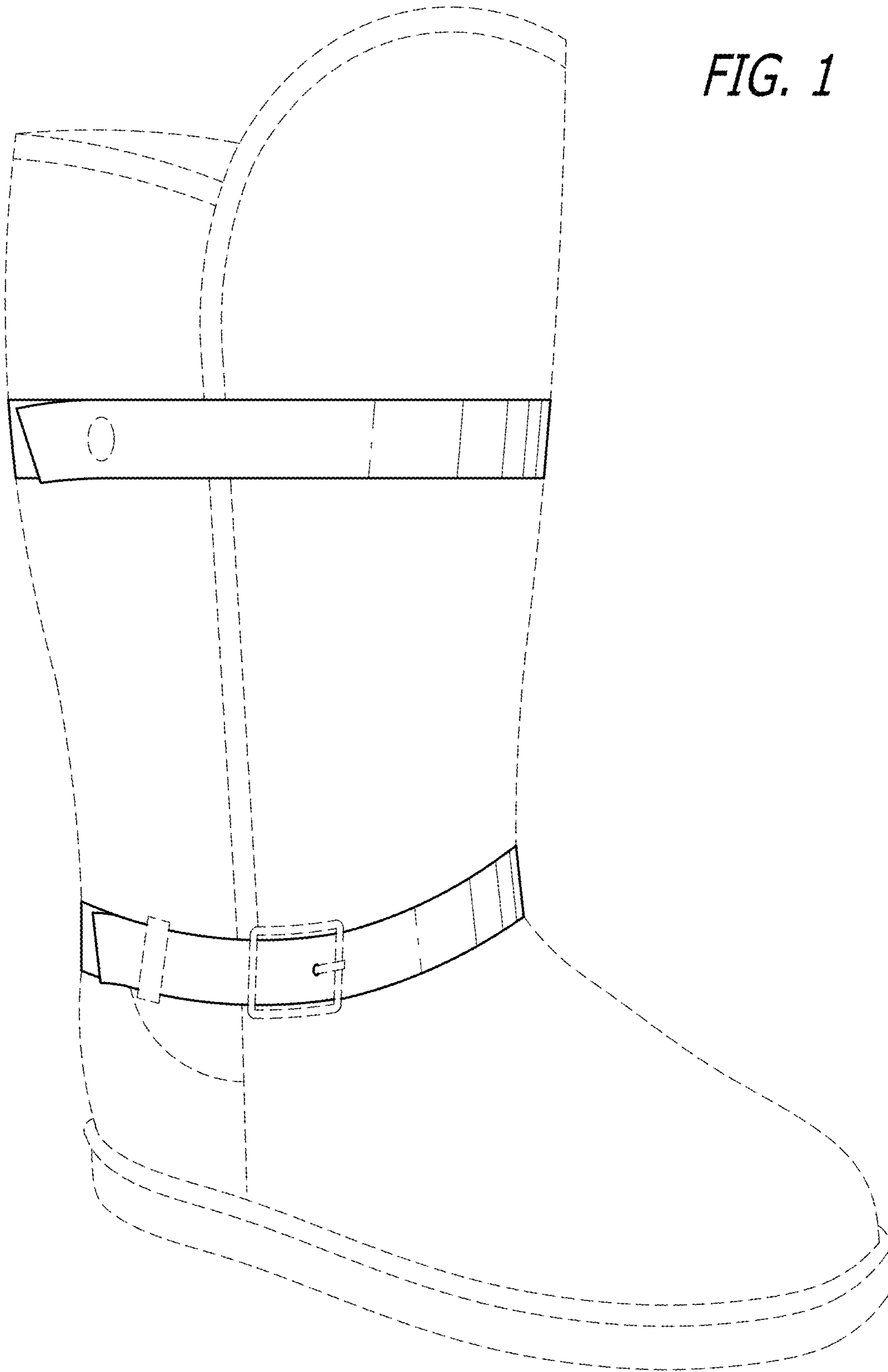


FIG. 1

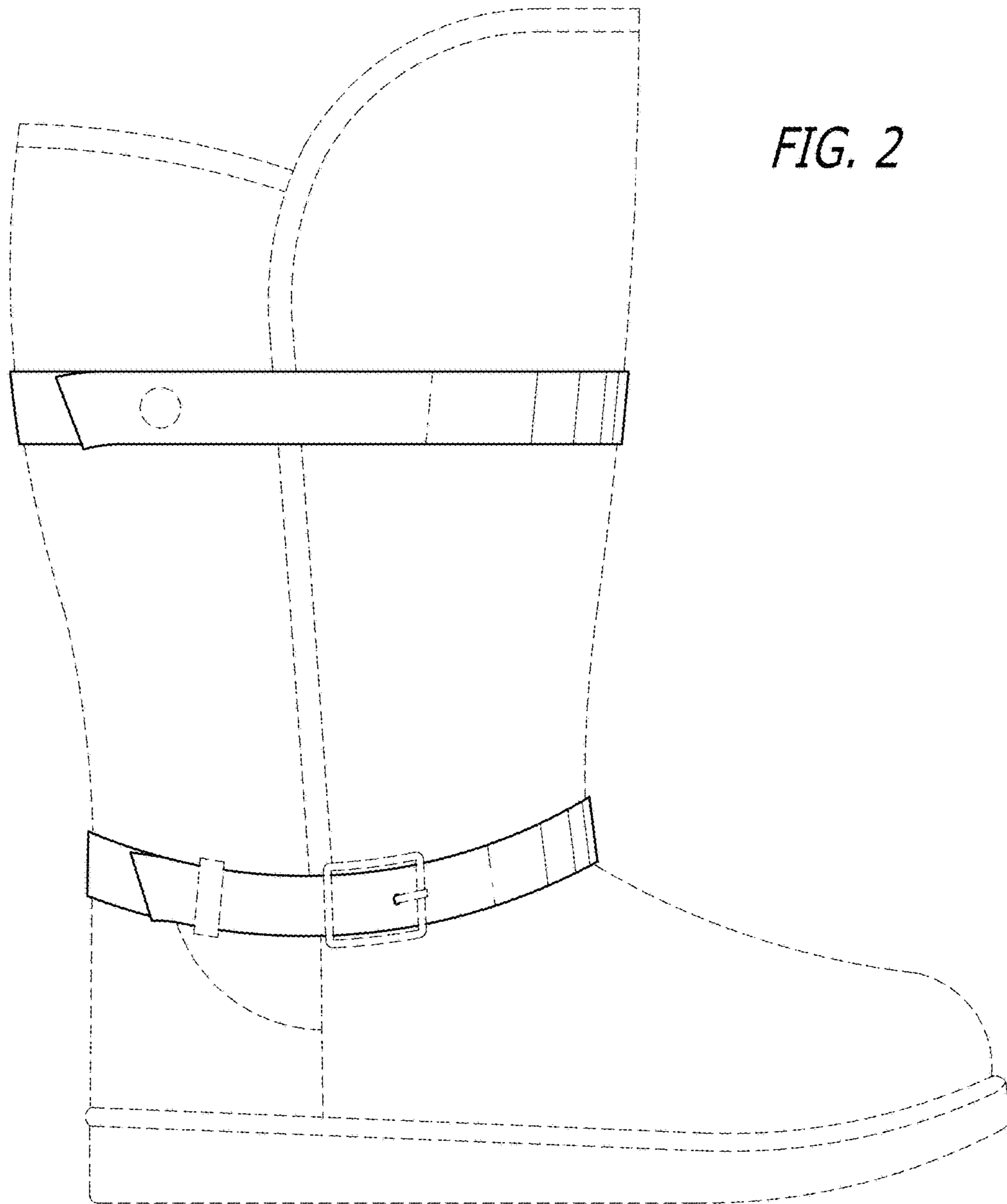


FIG. 2

FIG. 3

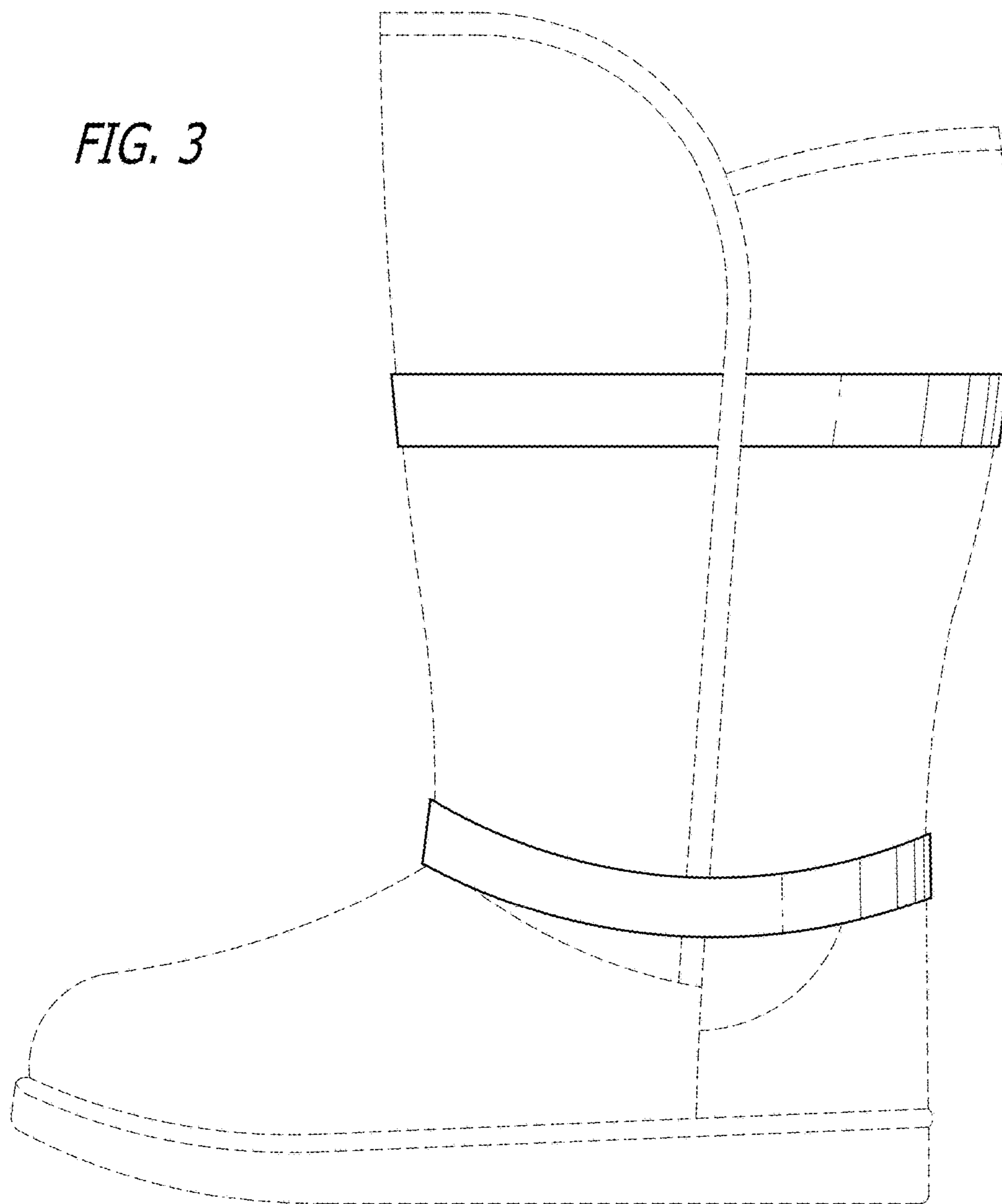


FIG. 4

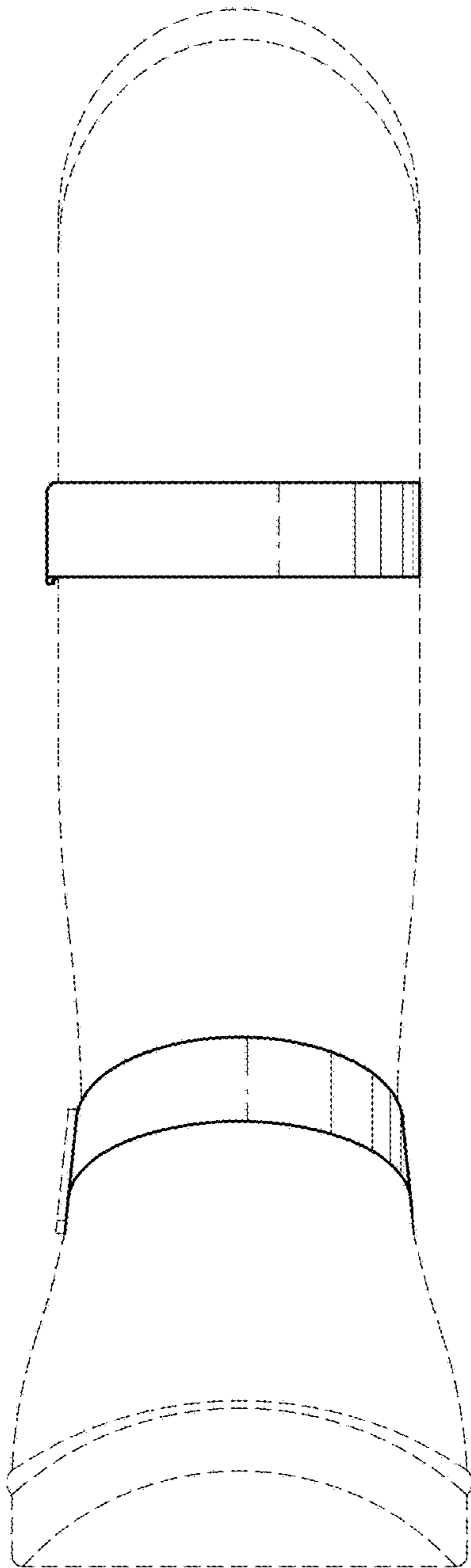


FIG. 5

