



US00D822347S

(12) **United States Design Patent** (10) **Patent No.:** **US D822,347 S**
Tien (45) **Date of Patent:** **** Jul. 10, 2018**

(54) **SHORT SLEEVE SHIRT**
(71) Applicant: **Spencer Tien**, Irwindale, CA (US)
(72) Inventor: **Spencer Tien**, Irwindale, CA (US)
(**) Term: **15 Years**
(21) Appl. No.: **29/578,169**
(22) Filed: **Sep. 19, 2016**
(51) **LOC (11) Cl.** **02-02**
(52) **U.S. Cl.**
USPC **D2/840**
(58) **Field of Classification Search**
USPC D2/840, 828, 830, 839
CPC A41D 3/00
See application file for complete search history.

D714,527 S * 10/2014 Borovicka D2/839
D749,823 S * 2/2016 Grosbol D2/839
D770,137 S * 11/2016 Celestine D2/828
D808,125 S * 1/2018 Crowe D2/828
2002/0095712 A1* 7/2002 Fayle A41D 3/00
2/84
2004/0055069 A1* 3/2004 Clarke Fayle A41D 3/00
2/93
2008/0184454 A1* 8/2008 Collier A41D 1/06
2/93
2013/0042384 A1* 2/2013 Mitchell A42B 1/048
2/84

* cited by examiner

Primary Examiner — Kevin Keith Rudzinski
(74) *Attorney, Agent, or Firm* — Clement Cheng

(57) **CLAIM**

The ornamental design for a short sleeve shirt, as shown and described.

(56) **References Cited**

U.S. PATENT DOCUMENTS

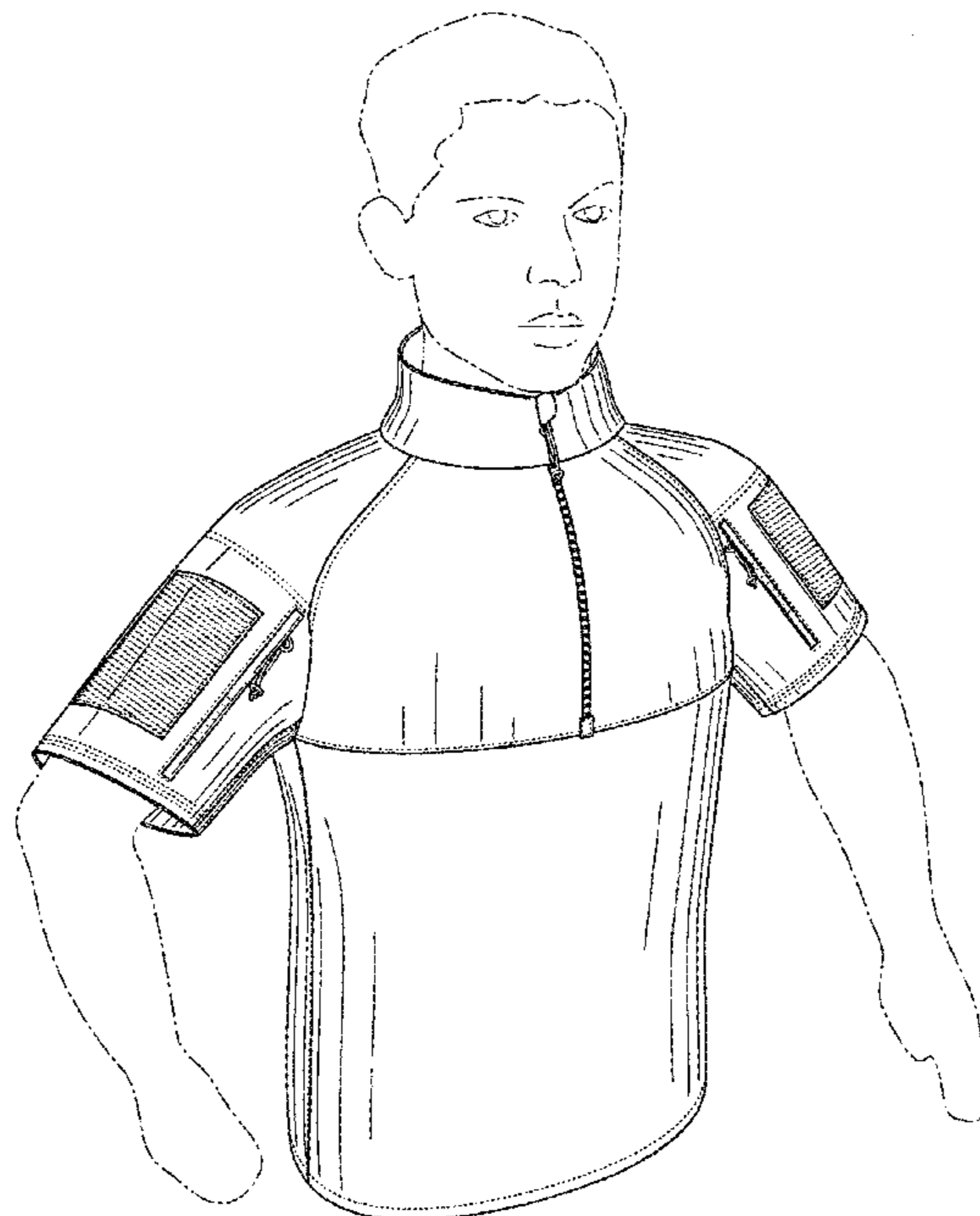
4,722,099 A * 2/1988 Kratz A41D 27/28
2/115
D338,773 S * 8/1993 Wilde D2/831
D374,329 S * 10/1996 Wilde D2/828
6,119,270 A * 9/2000 Chou A41D 3/00
2/108
D574,579 S * 8/2008 Kang D2/840
D588,783 S * 3/2009 Olstorn D2/828
7,540,037 B1 * 6/2009 Bittler A41D 13/0543
2/69
D632,059 S * 2/2011 Abrams D2/840
D641,137 S * 7/2011 Evans D2/839
D641,138 S * 7/2011 Santo D2/840
D659,349 S * 5/2012 Simmons D2/830
D679,072 S * 4/2013 Abbevik D2/828
8,661,563 B2 * 3/2014 Evans A41D 13/08
2/16

DESCRIPTION

FIG. 1 is a perspective view.
FIG. 2 is a front view.
FIG. 3 is a rear view.
FIG. 4 is a left side view.
FIG. 5 is a right side view.
FIG. 6 is a top view; and,
FIG. 7 is a bottom view.

The dotted line disclosure, which includes the dash-dot broken lines, the evenly spaced broken lines and the long and short broken lines, illustrate environment and portions of the short sleeve shirt and form no part of the claimed design.

1 Claim, 5 Drawing Sheets



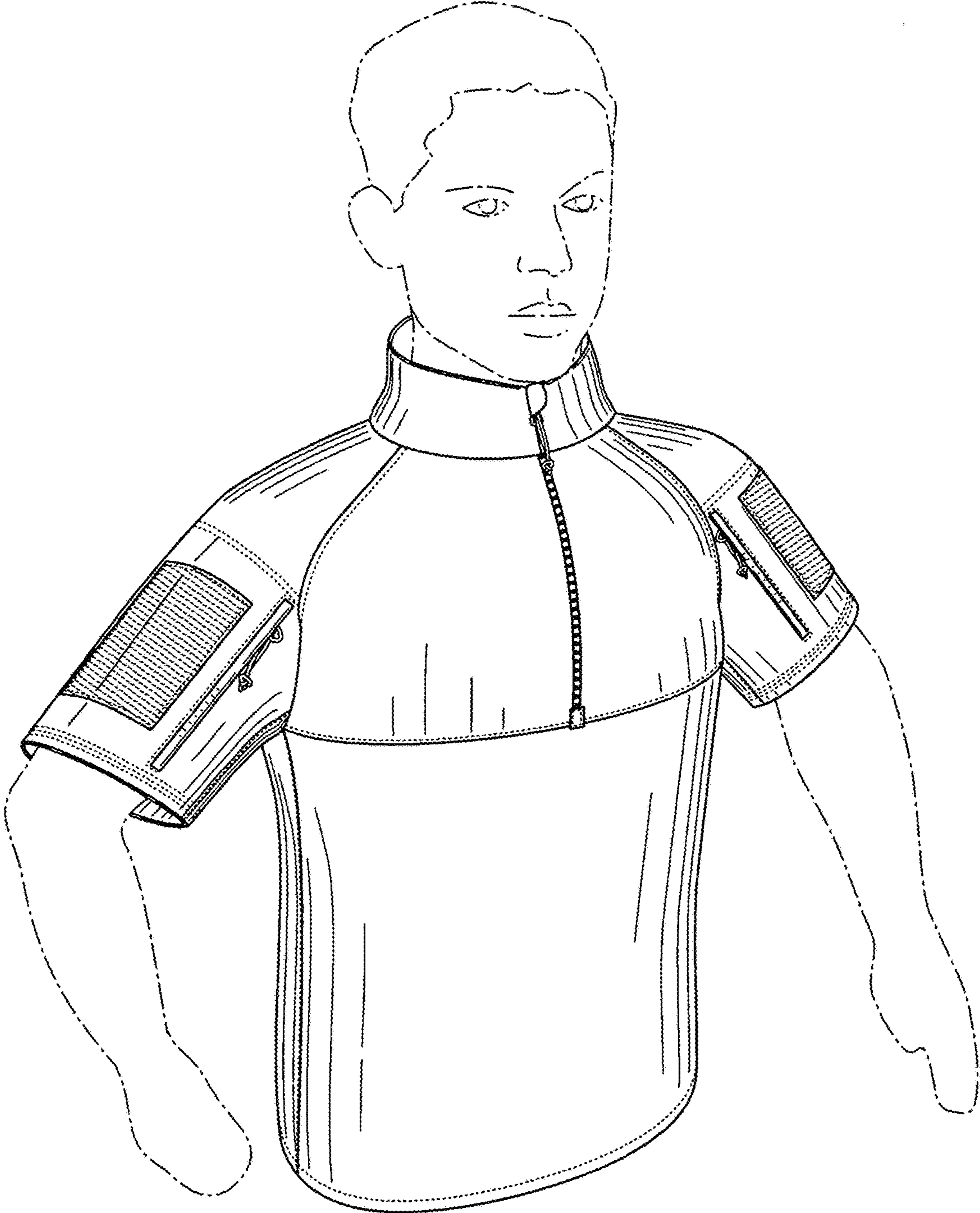


FIG. 1

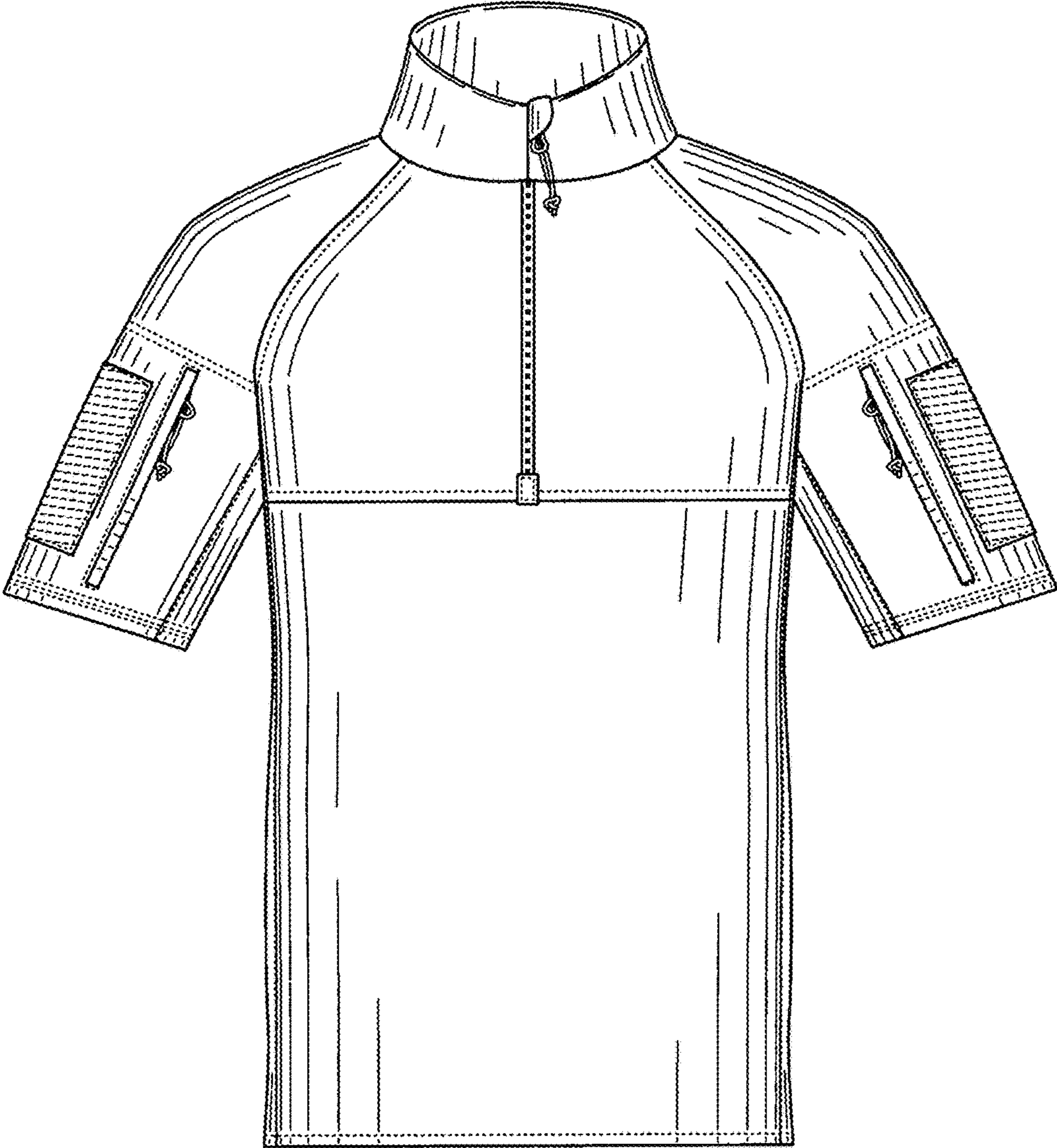


FIG. 2

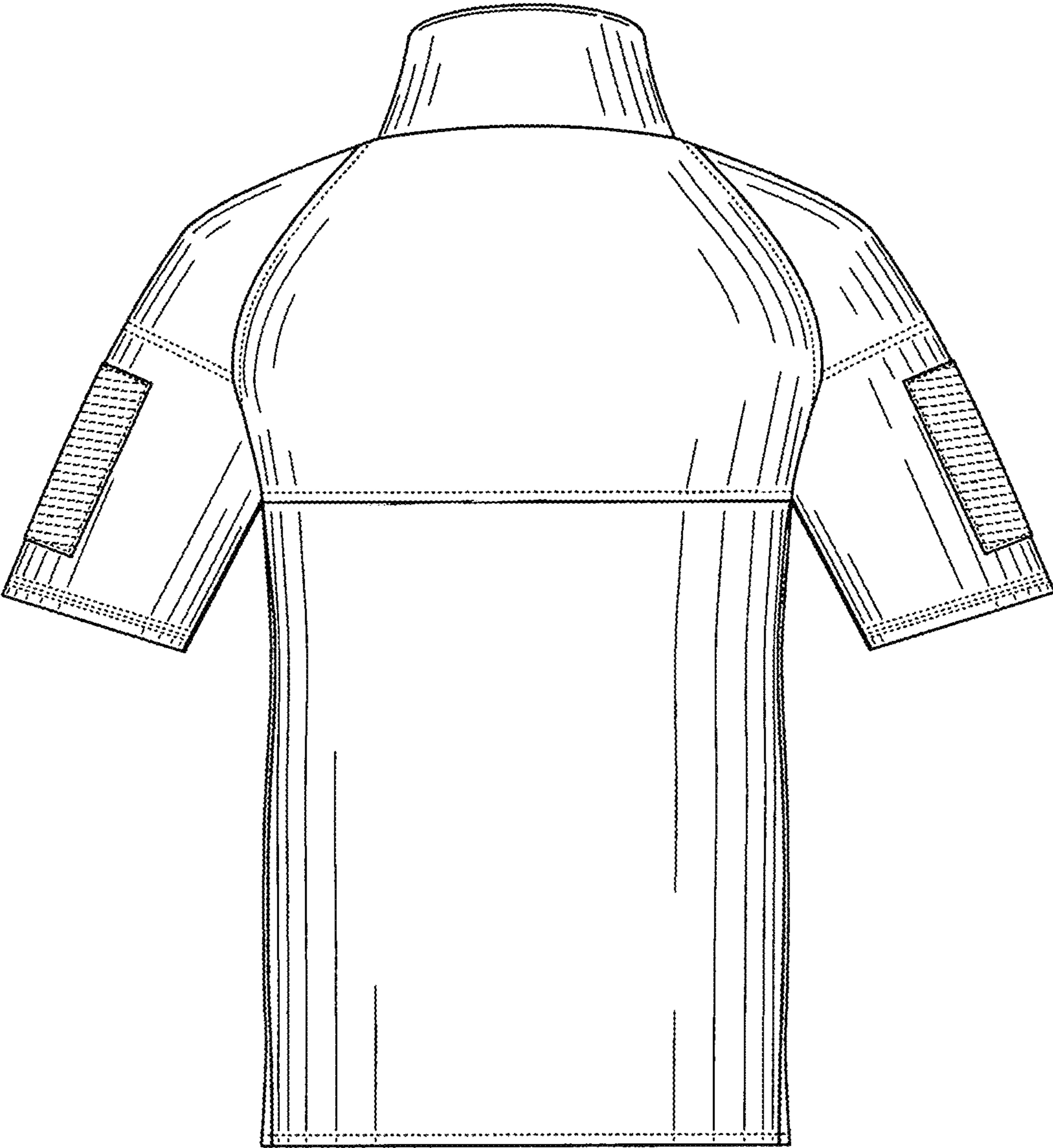


FIG. 3

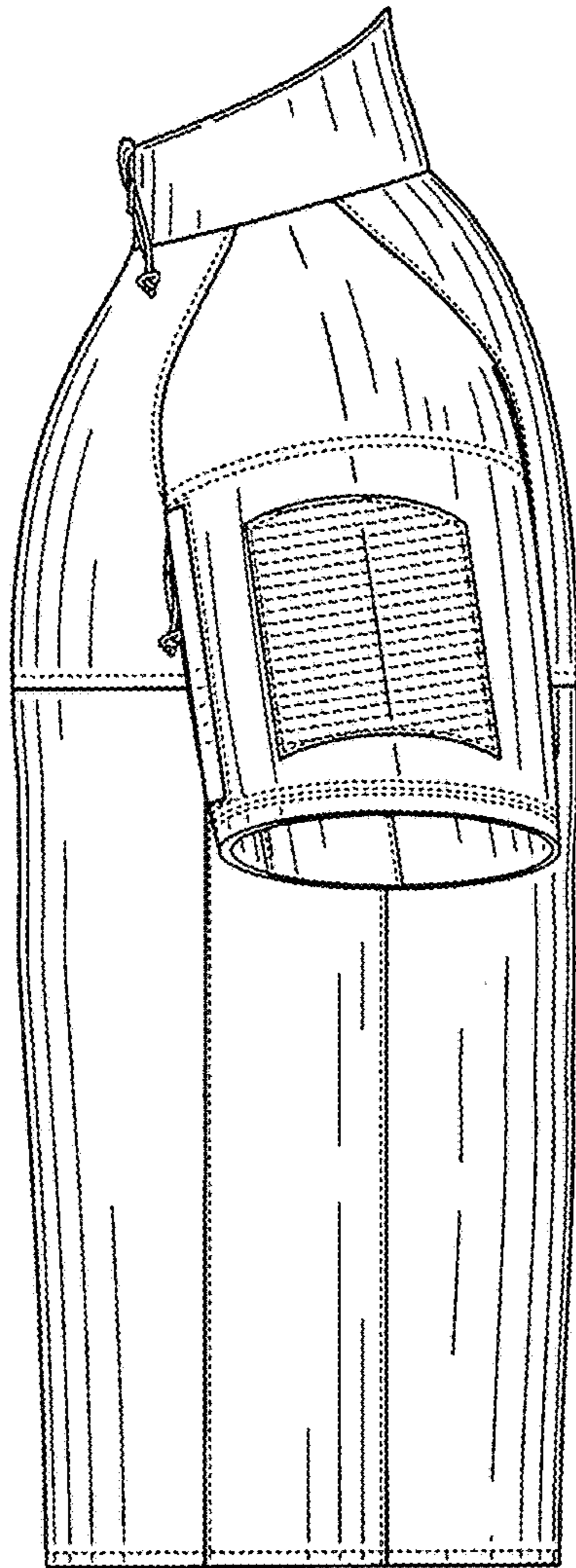


FIG. 4

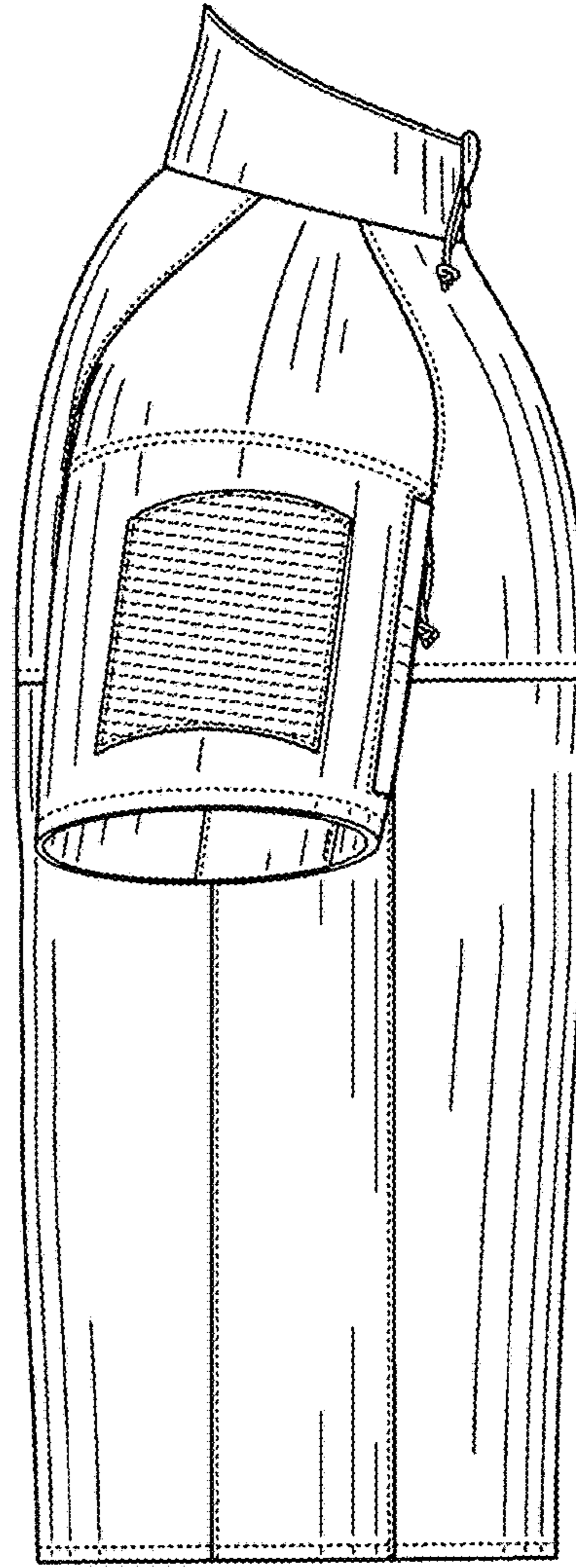


FIG. 5

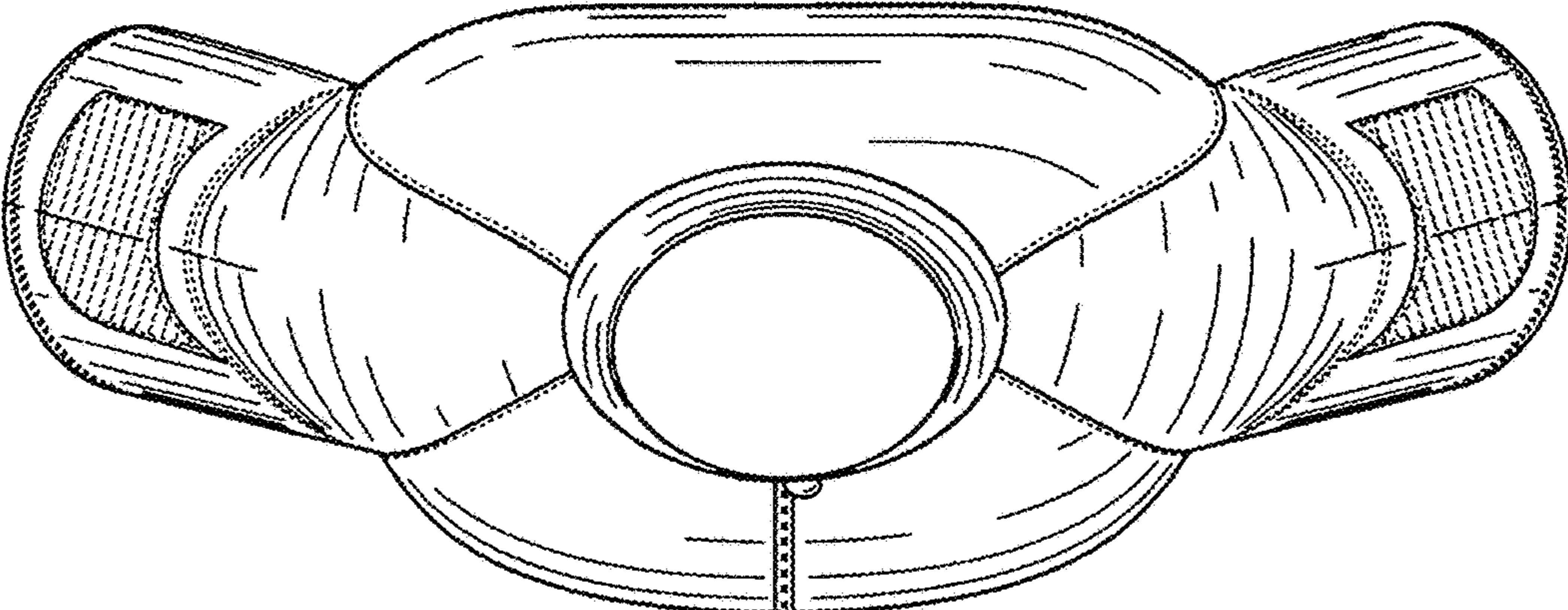


FIG. 6

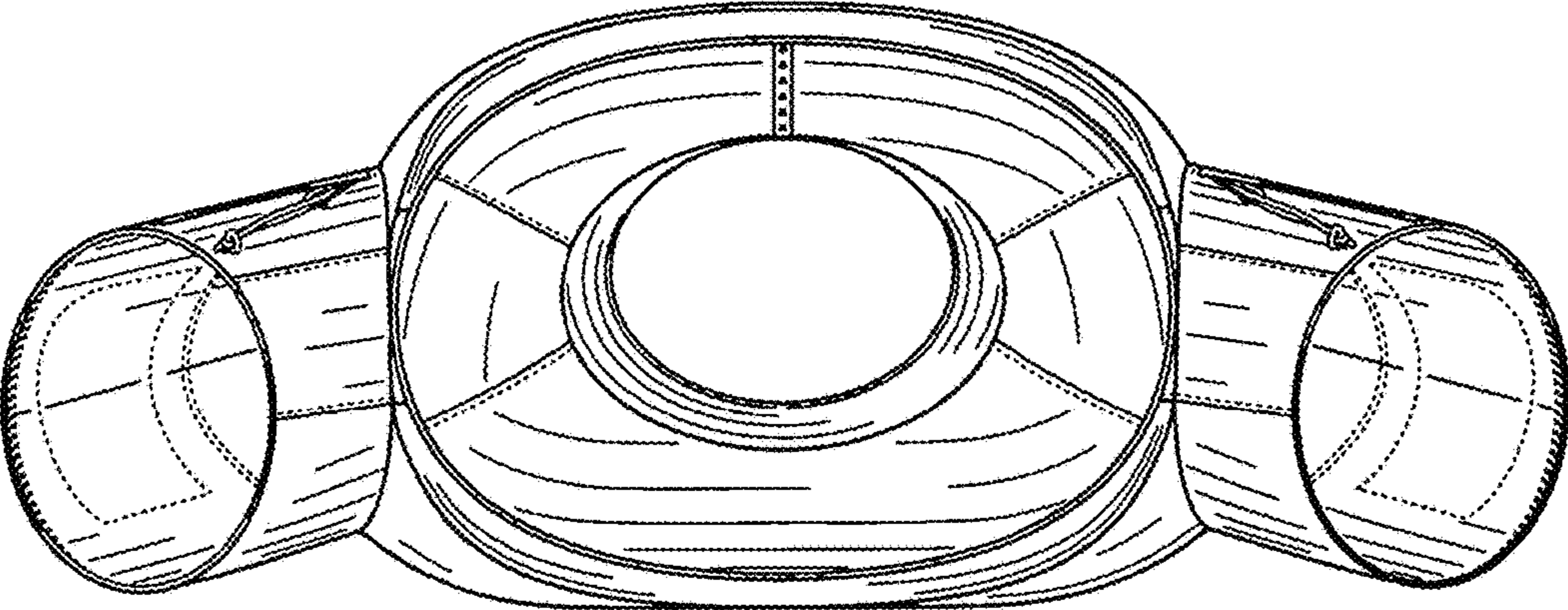


FIG. 7