



US00D822344S

(12) **United States Design Patent**
Karim

(10) **Patent No.:** **US D822,344 S**

(45) **Date of Patent:** **** Jul. 10, 2018**

- (54) **NURSING GARMENT**
- (71) Applicant: **Sabreena Karim**, Woodcliff Lake, NJ
(US)
- (72) Inventor: **Sabreena Karim**, Woodcliff Lake, NJ
(US)
- (73) Assignee: **Sabreena Karim**, Woodcliff Lake, NJ
(US)
- (**) Term: **15 Years**
- (21) Appl. No.: **29/586,242**
- (22) Filed: **Dec. 1, 2016**
- (51) **LOC (11) Cl.** **02-02**
- (52) **U.S. Cl.**
USPC **D2/728**
- (58) **Field of Classification Search**
USPC D2/718, 719, 720, 724, 728, 823, 825,
D2/826, 828, 847, 848, 849, 850, 860,
D2/999
CPC A41D 3/08; A41D 3/005; A41D 15/04;
A41D 27/28; Y10S 2/01
See application file for complete search history.

- 2,860,344 A * 11/1958 Hardee A41D 3/08
2/87
- 3,638,241 A * 2/1972 Holmes A41D 3/08
2/88
- 4,078,264 A * 3/1978 Degennaro A41D 3/08
2/88
- D303,995 S * 10/1989 Dameron D2/728
(Continued)

Primary Examiner — Kevin K Rudzinski
Assistant Examiner — Paul D Bohannon
 (74) *Attorney, Agent, or Firm* — RMCK Law Group PLC

(57) **CLAIM**

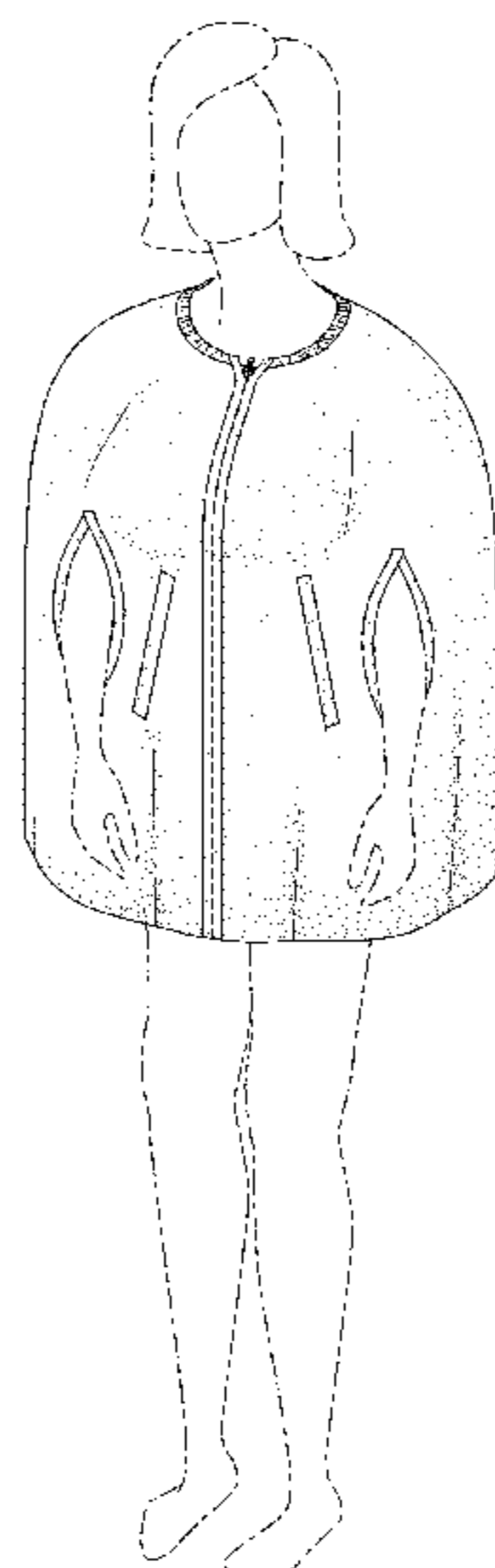
The ornamental design for a nursing garment, as shown and described.

DESCRIPTION

FIG. 1 is a front perspective view of a nursing garment in accordance with the present teachings.
 FIG. 2 is a front view of the nursing garment of FIG. 1.
 FIG. 3 is a rear view of the nursing garment of FIG. 1.
 FIG. 4 is top view of the nursing garment of FIG. 1.
 FIG. 5 is a left side view of the nursing garment of FIG. 1, the right side view being a mirror image thereof.
 FIG. 6 is a front perspective view of the nursing garment of FIG. 1 in a partially open position.
 FIG. 7 is a front view of the nursing garment of FIG. 1 laid flat.
 FIG. 8 is a rear view of the nursing garment of FIG. 1 laid flat.
 FIG. 9 is a front view of the nursing garment of FIG. 1 in an unfastened position; and,
 FIG. 10 is a front view of the nursing garment of FIG. 1 in an arrangement to allow breastfeeding.
 The broken lines showing portions of the nursing garment form no part of the claimed design. The broken lines depicting the human forms shown in the drawings are for environmental structure only and form no part of the claimed design.

1 Claim, 10 Drawing Sheets

- (56) **References Cited**
U.S. PATENT DOCUMENTS
331,179 A * 11/1885 Barter A41D 3/08
2/88
336,124 A * 2/1886 Levy A41D 3/08
2/88
621,761 A * 3/1899 Allen A41B 9/06
2/113
1,359,999 A * 11/1920 McEvoy A41D 27/28
2/87
1,705,963 A * 3/1929 Clawson A41D 3/08
2/88
D109,941 S * 5/1938 Schlessel D2/823
D115,064 S * 5/1939 Fadie D2/823
D127,647 S * 6/1941 Tucker D2/823



(56)

References Cited

U.S. PATENT DOCUMENTS

D306,510 S * 3/1990 Sanchez D2/728
5,034,999 A * 7/1991 Lubbers A41D 1/205
2/104
6,014,772 A * 1/2000 Connelly A41D 3/005
2/102
D429,058 S * 8/2000 Derosier D2/823
D542,509 S * 5/2007 Campbell D2/728
D626,720 S * 11/2010 Pinkhasov D2/717
D674,167 S * 1/2013 Ehler D2/826
D679,484 S * 4/2013 Brown D2/823
D714,524 S * 10/2014 Borovicka D2/825
D752,847 S * 4/2016 Sandoval D2/860

* cited by examiner

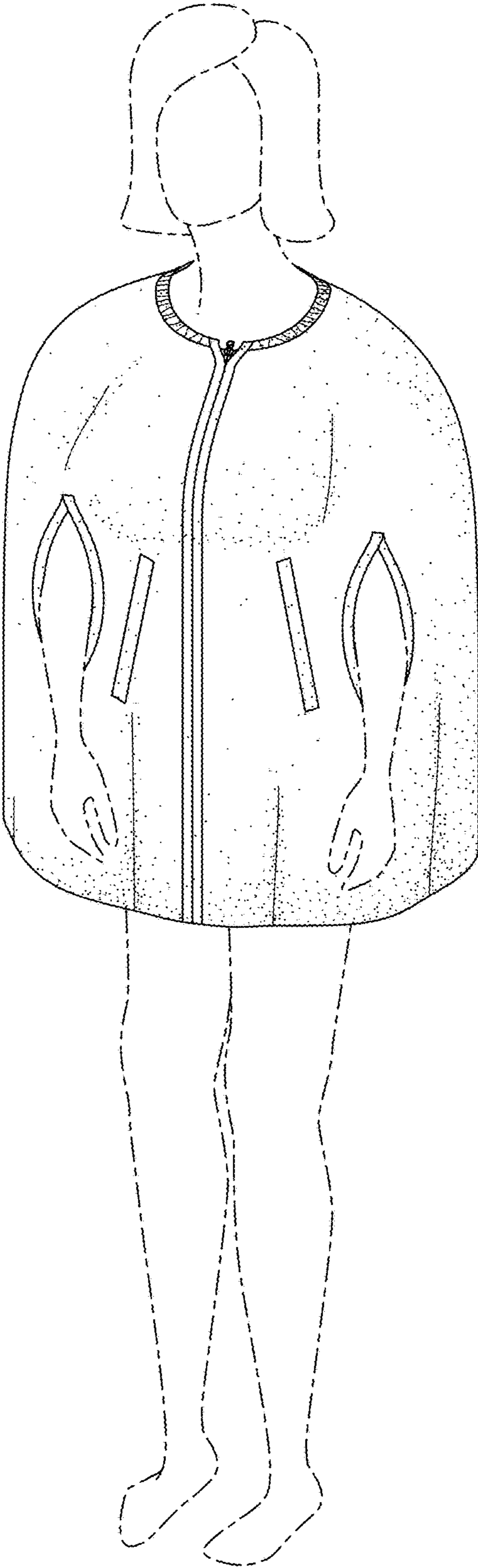


FIG. 1

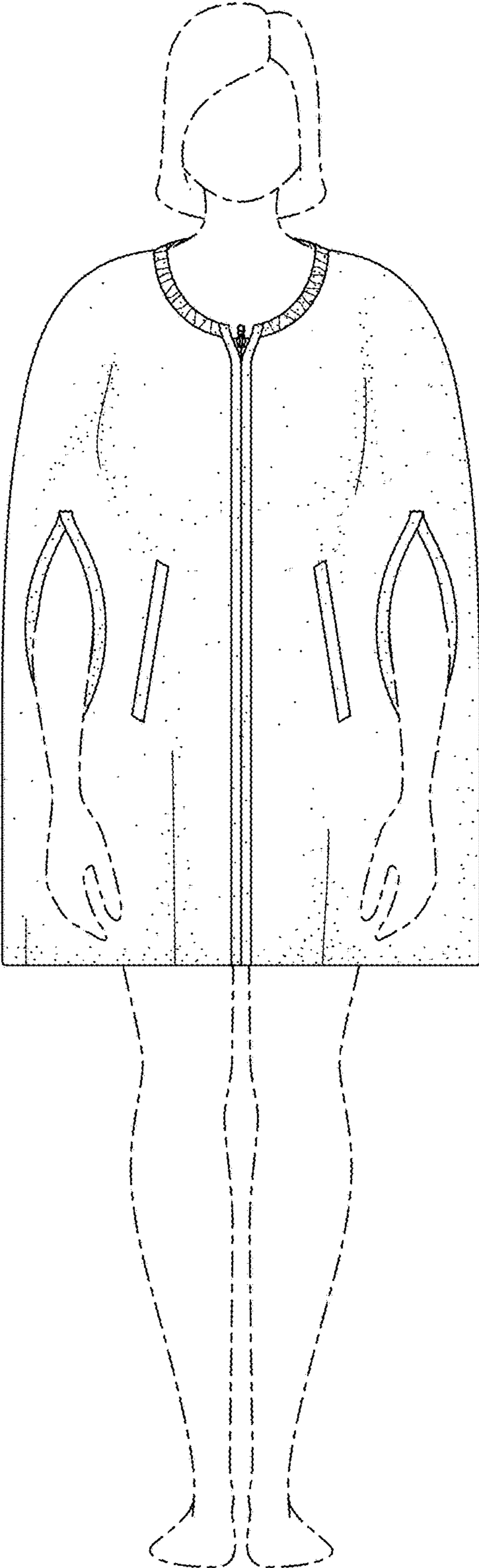


FIG. 2

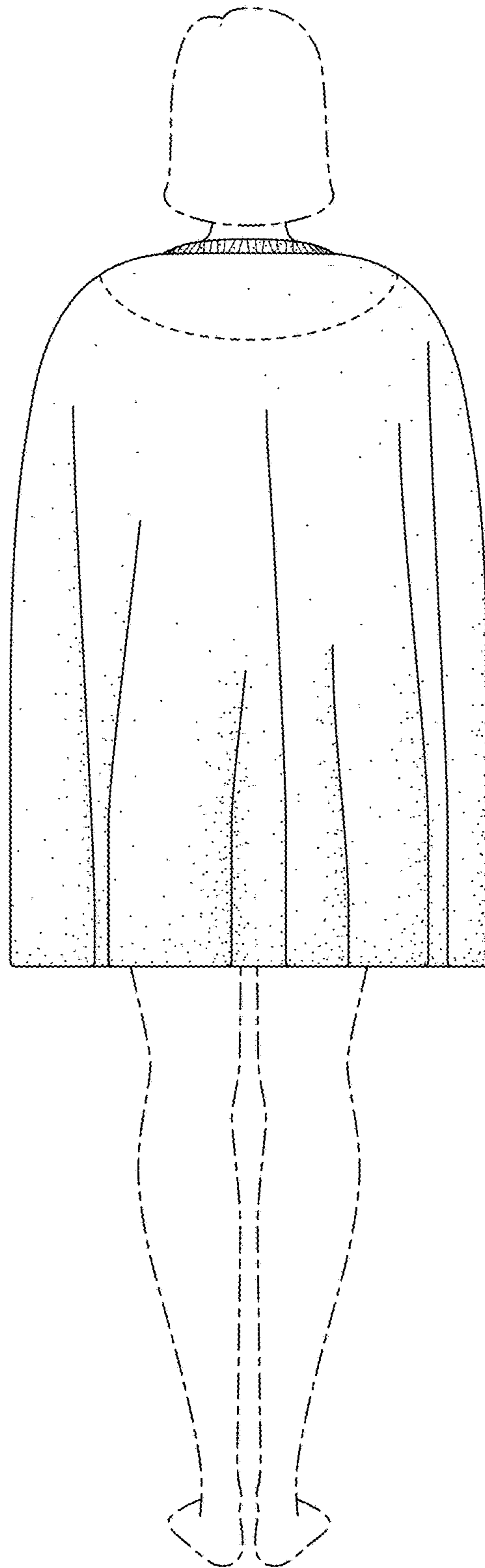


FIG. 3

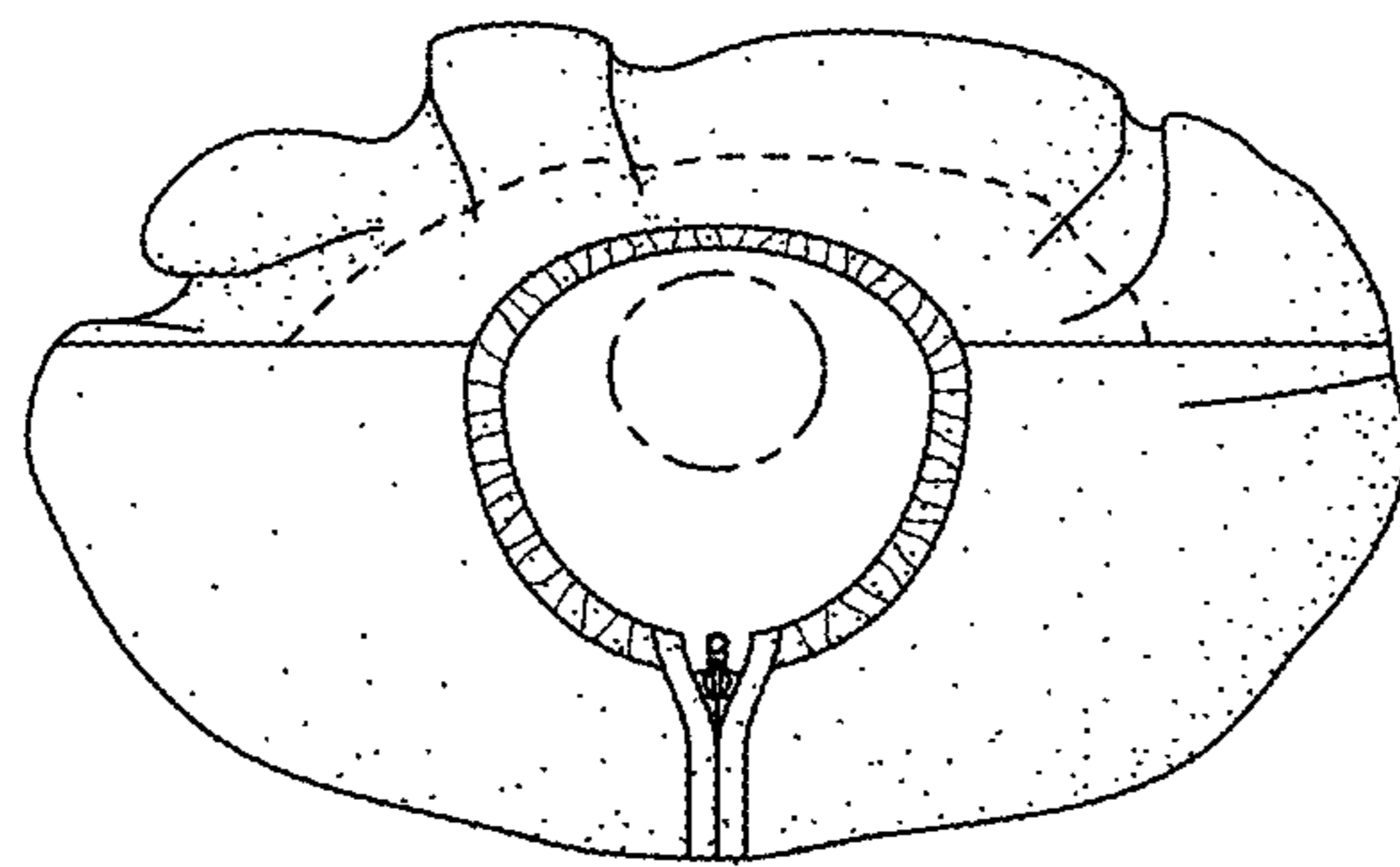


FIG. 4

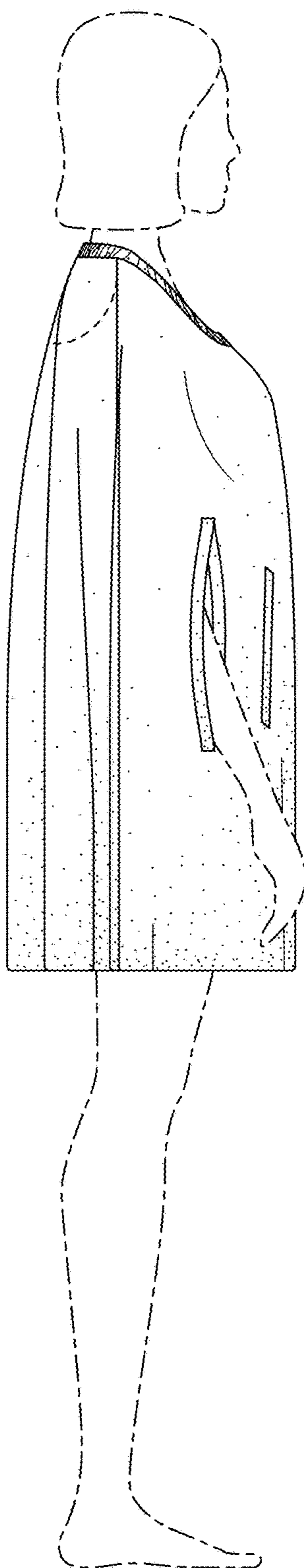


FIG. 5

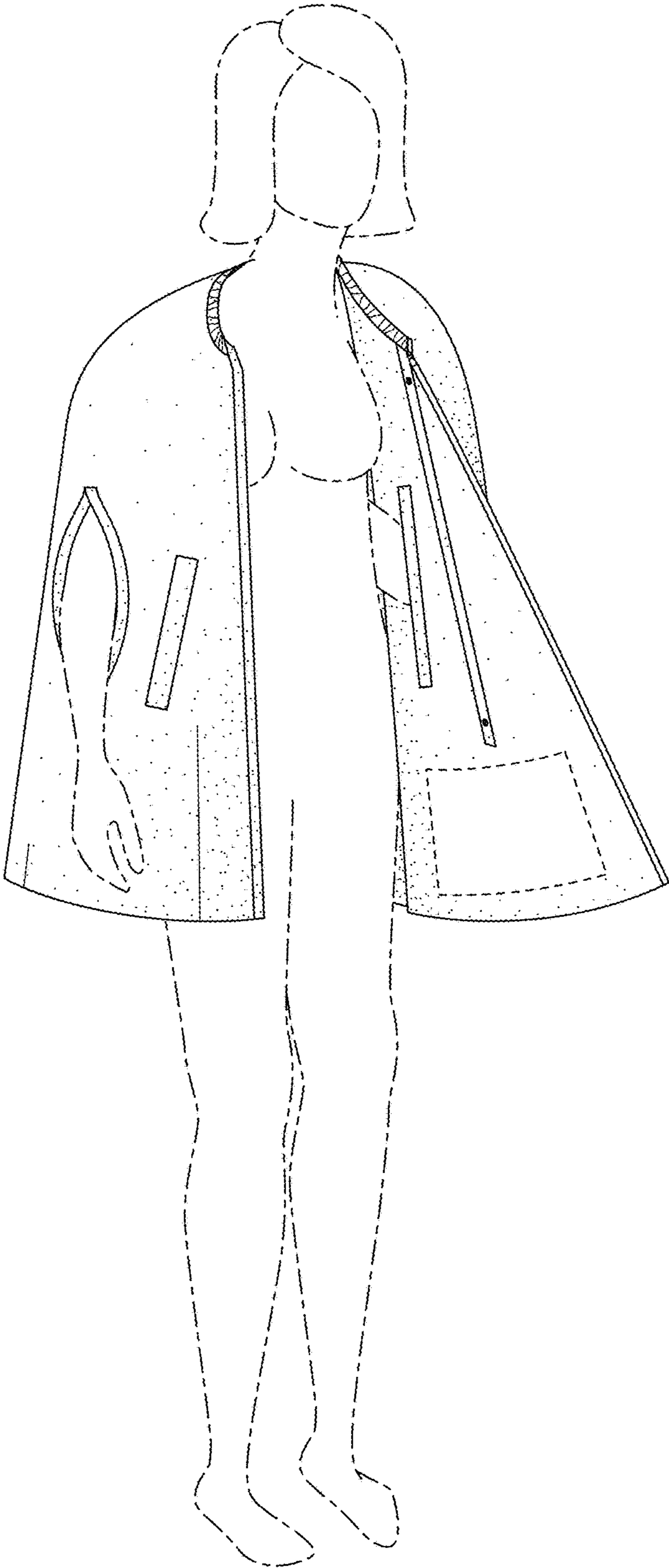


FIG. 6

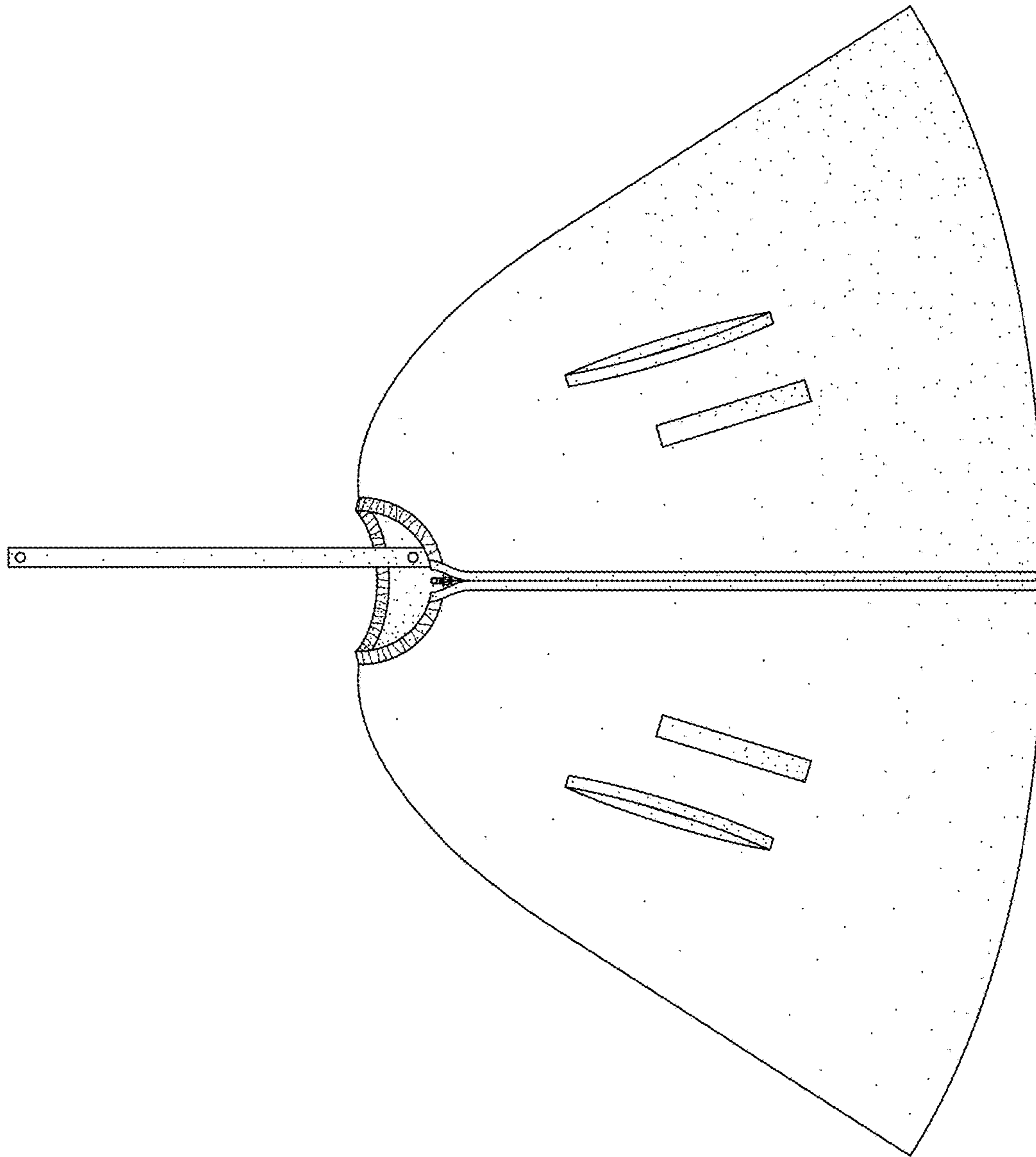


FIG. 7

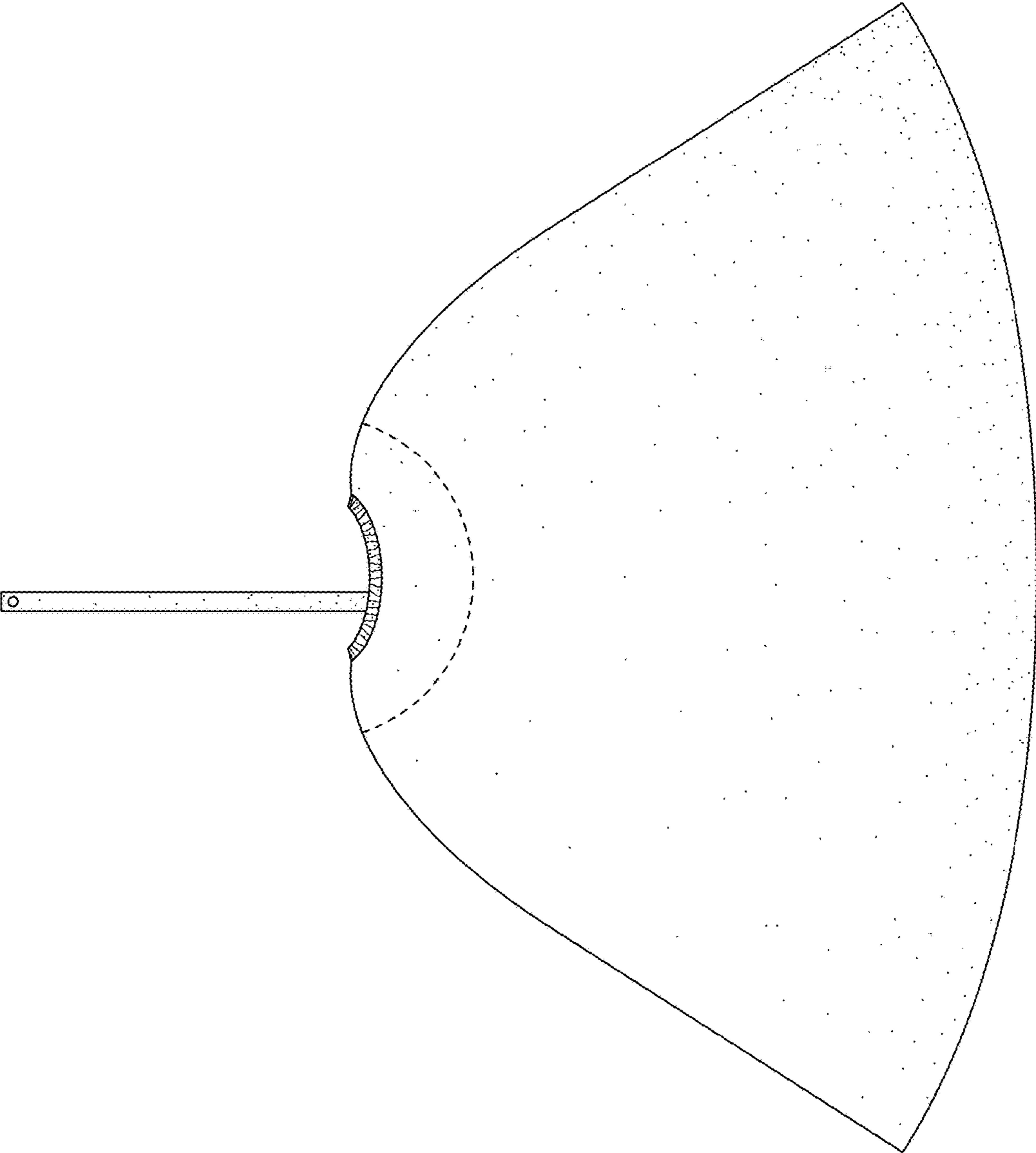


FIG. 8

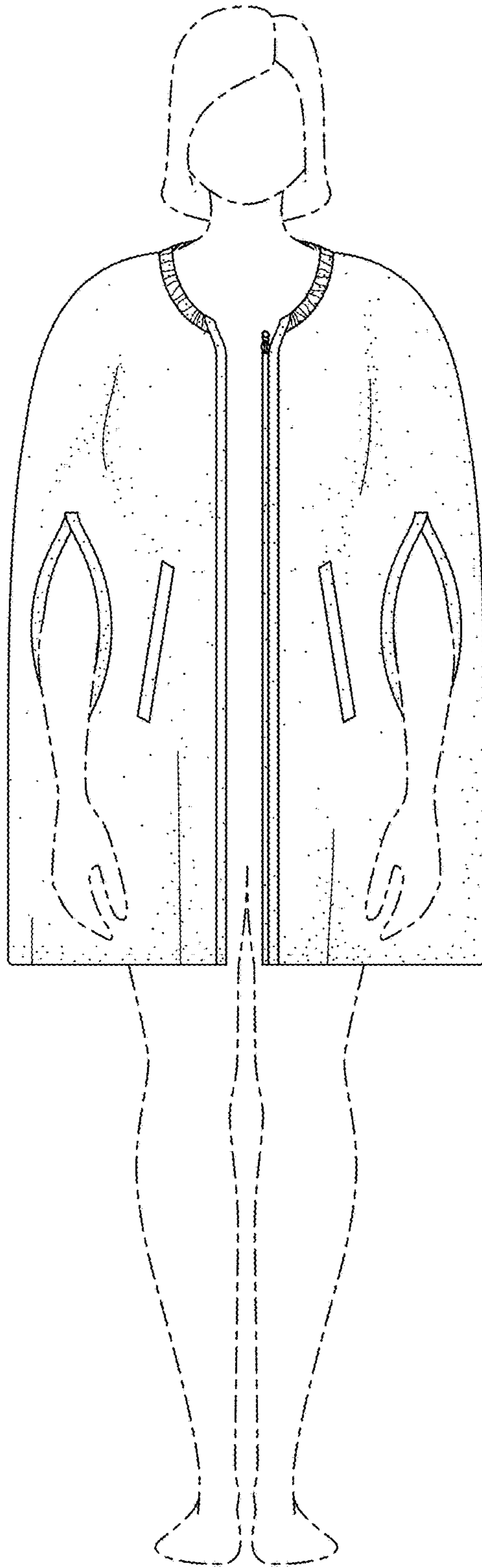


FIG. 9

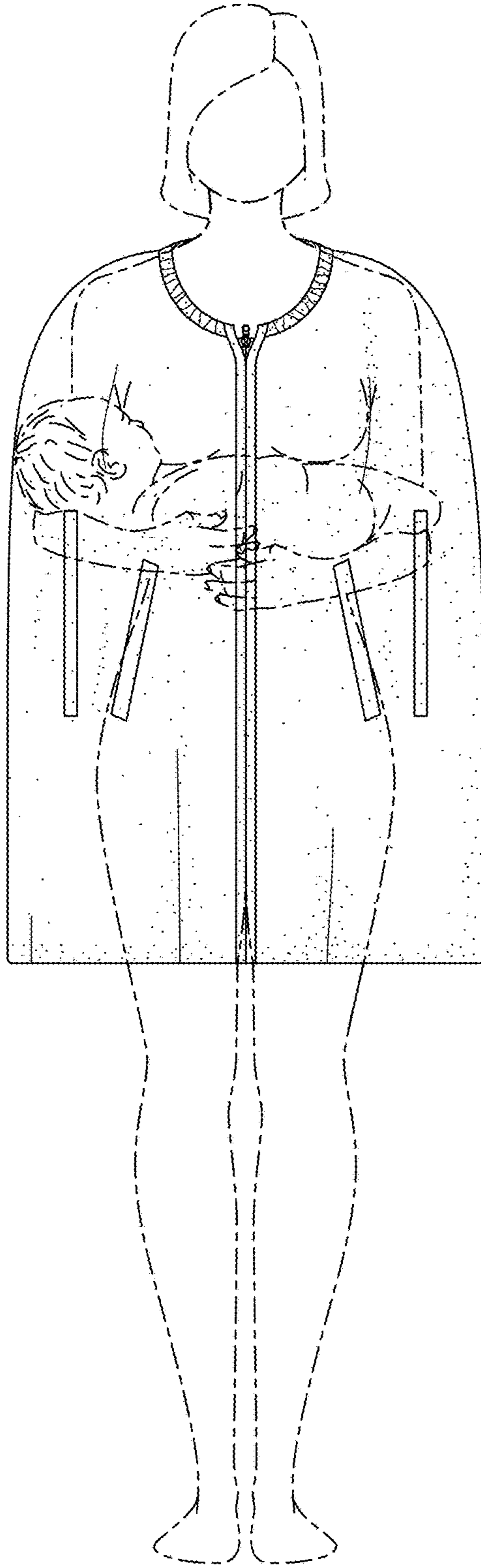


FIG. 10