



US00D822342S

(12) **United States Design Patent** (10) **Patent No.:** **US D822,342 S**  
**Maxi** (45) **Date of Patent:** **\*\* Jul. 10, 2018**

(54) **MALE GARMENT**

(71) Applicant: **Reginald Maxi**, East Taunton, MA (US)

(72) Inventor: **Reginald Maxi**, East Taunton, MA (US)

(\*\*) Term: **15 Years**

(21) Appl. No.: **29/572,317**

(22) Filed: **Jul. 27, 2016**

(51) **LOC (11) Cl.** ..... **02-01**

(52) **U.S. Cl.**  
USPC ..... **D2/712**

(58) **Field of Classification Search**  
USPC ..... D2/712, 738, 731; D27/195; 2/404  
CPC ..... A41B 9/02; A41B 9/0023; A41B 9/00  
See application file for complete search history.

(56) **References Cited**

U.S. PATENT DOCUMENTS

2,138,481	A *	11/1938	Chatfield	.....	A41B 9/02 2/403
D360,971	S *	8/1995	Speth	.....	D2/705
D396,125	S *	7/1998	Chen	.....	D27/195
D506,303	S *	6/2005	Rocha	.....	2/69
D513,656	S *	1/2006	Langmyr	.....	D2/712
D521,711	S *	5/2006	Langmyr	.....	D2/712
D548,928	S *	8/2007	Wong	.....	D2/731
D646,462	S *	10/2011	Ellis	.....	D2/712
D651,378	S *	1/2012	Cho	.....	D2/712
D656,708	S *	4/2012	Ellis	.....	D2/712
D709,266	S *	7/2014	Astin	.....	D2/712

D756,067	S *	5/2016	Astin	.....	D2/712
9,713,348	B2 *	7/2017	Astin	.....	A41B 9/02
2010/0058517	A1 *	3/2010	Perolari	.....	A41B 9/02 2/404
2012/0204325	A1 *	8/2012	Todd	.....	A41B 9/02 2/404
2012/0260404	A1 *	10/2012	Steele	.....	A41B 9/023 2/404

\* cited by examiner

*Primary Examiner* — Robin V Webster

*Assistant Examiner* — James C Thorn, Sr.

(74) *Attorney, Agent, or Firm* — Dunlap Bennett & Ludwig PLLC

(57) **CLAIM**

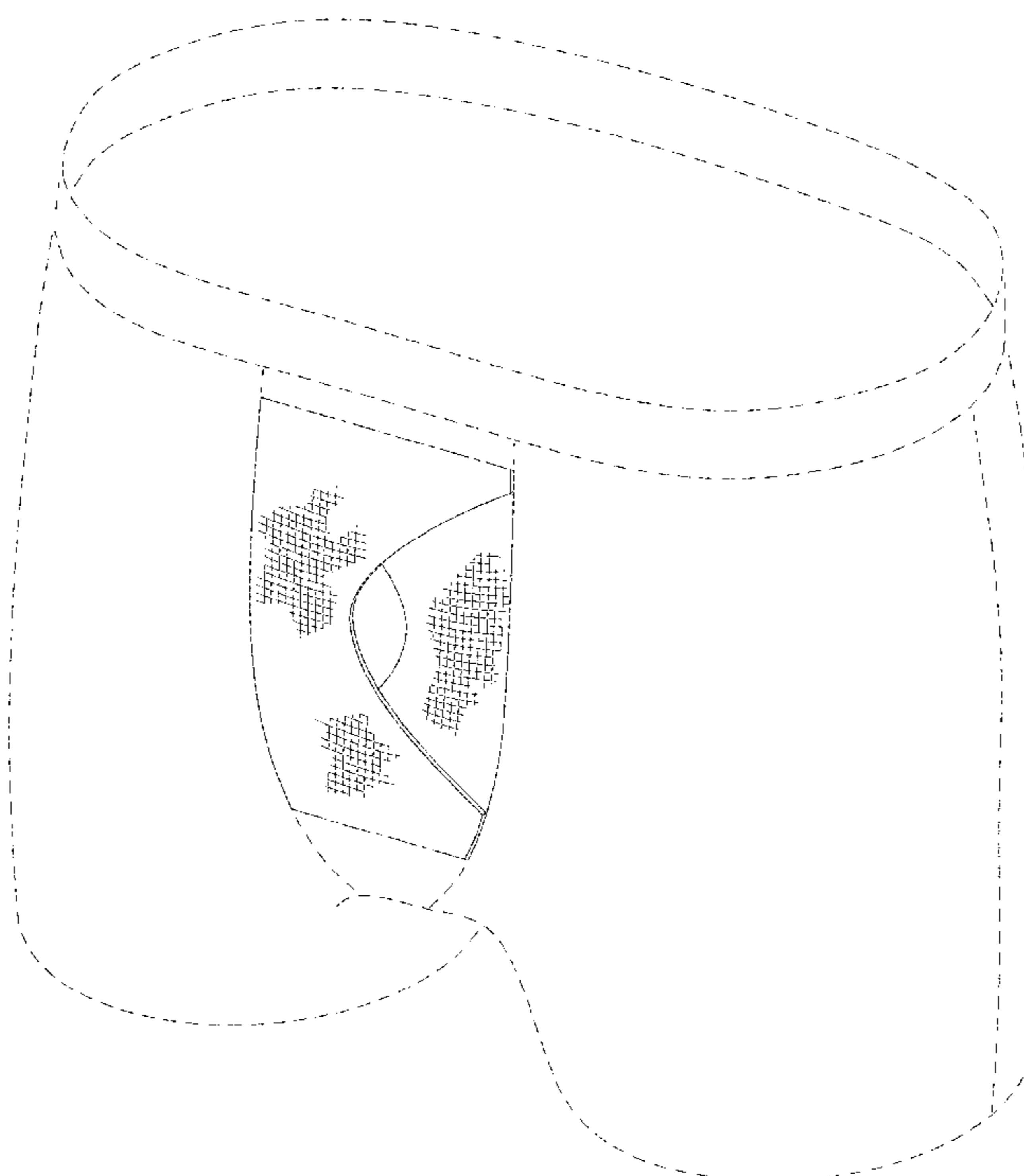
The ornamental design for a male garment, as shown and described.

**DESCRIPTION**

FIG. 1 is a top front perspective view of a male garment; FIG. 2 is a front elevation view of FIG. 1; FIG. 3 is a rear elevation view of FIG. 1; FIG. 4 is a right side elevation view of FIG. 1; FIG. 5 is a left side elevation view of FIG. 1; FIG. 6 is a top plan view of FIG. 1; FIG. 7 is a bottom plan view of FIG. 1; and, FIG. 8 is an exploded view of FIG. 1.

The dot-dash lines are for the purpose of illustrating the boundaries of the claimed design, and form no part thereof. All other broken lines are for the purpose of illustrating environmental structure, and form no part of the claimed design.

**1 Claim, 5 Drawing Sheets**



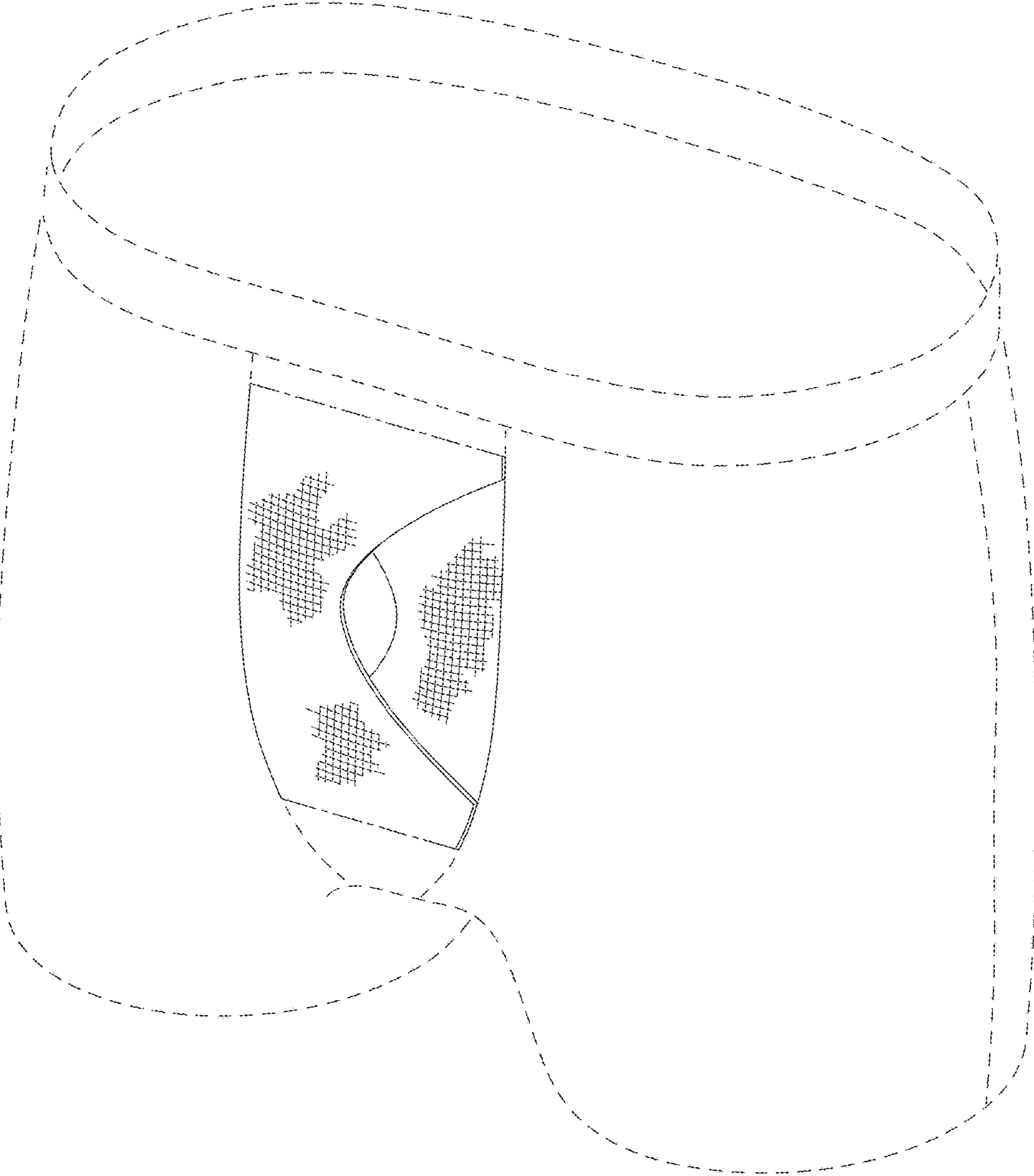


FIG.1

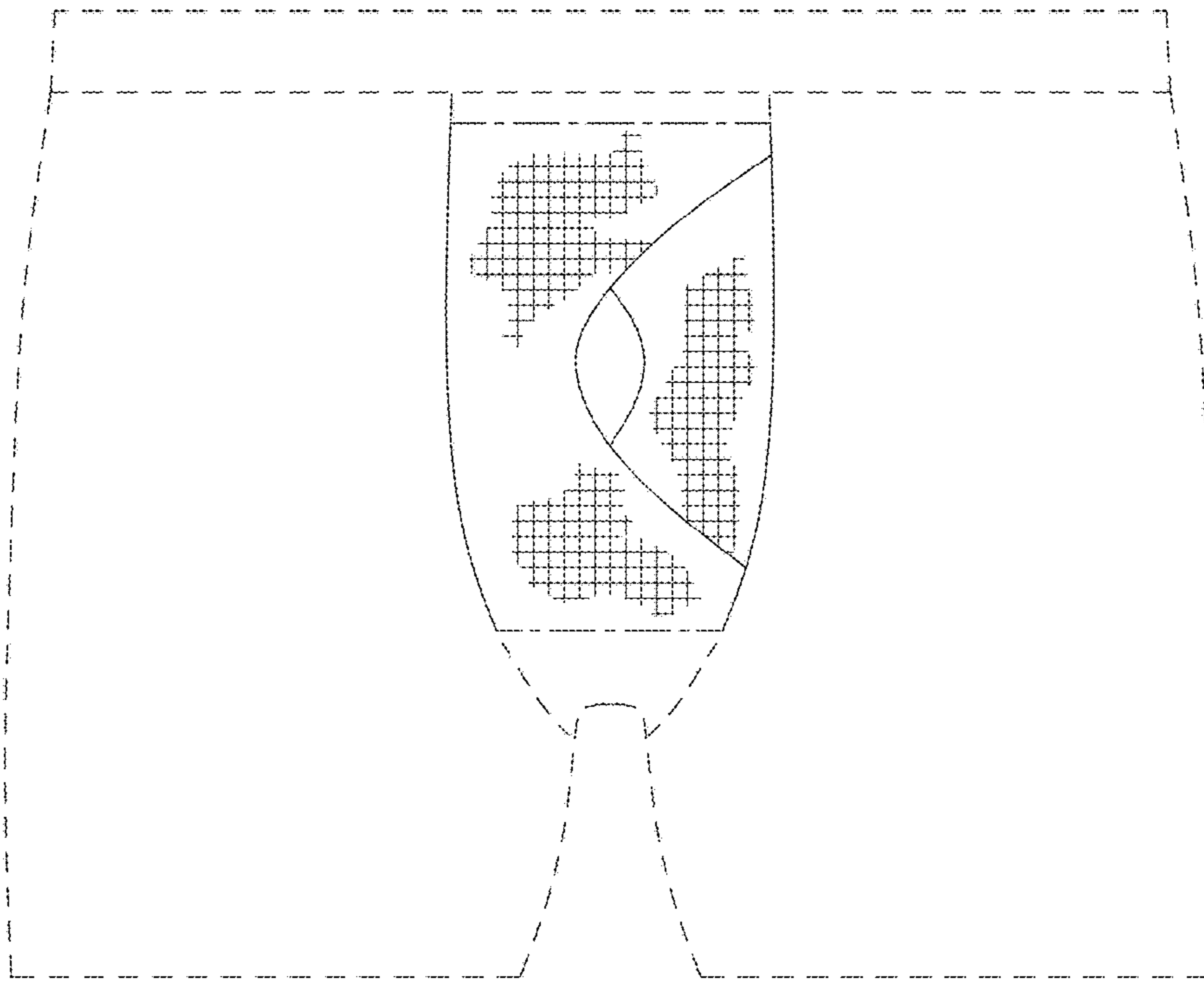


FIG. 2

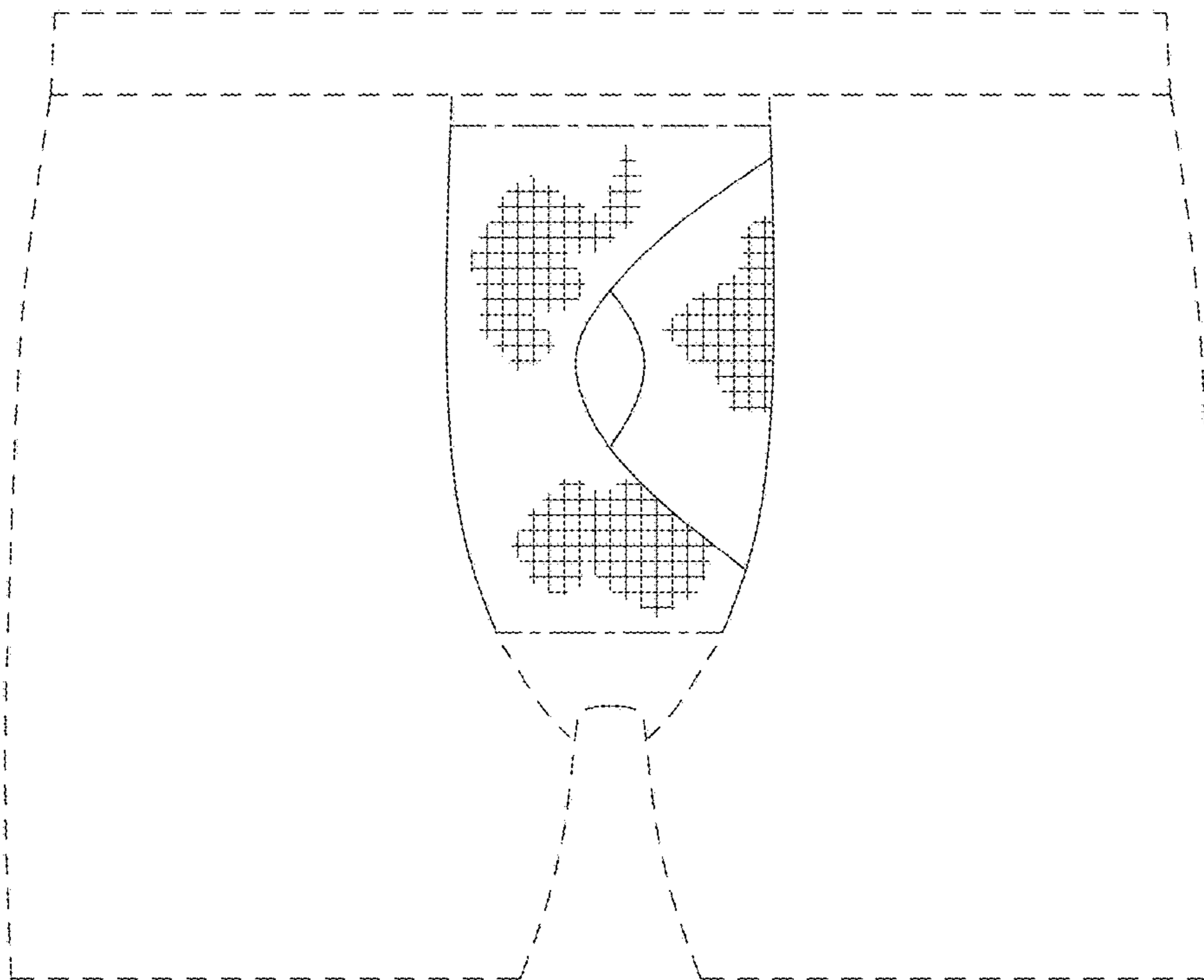


FIG. 3

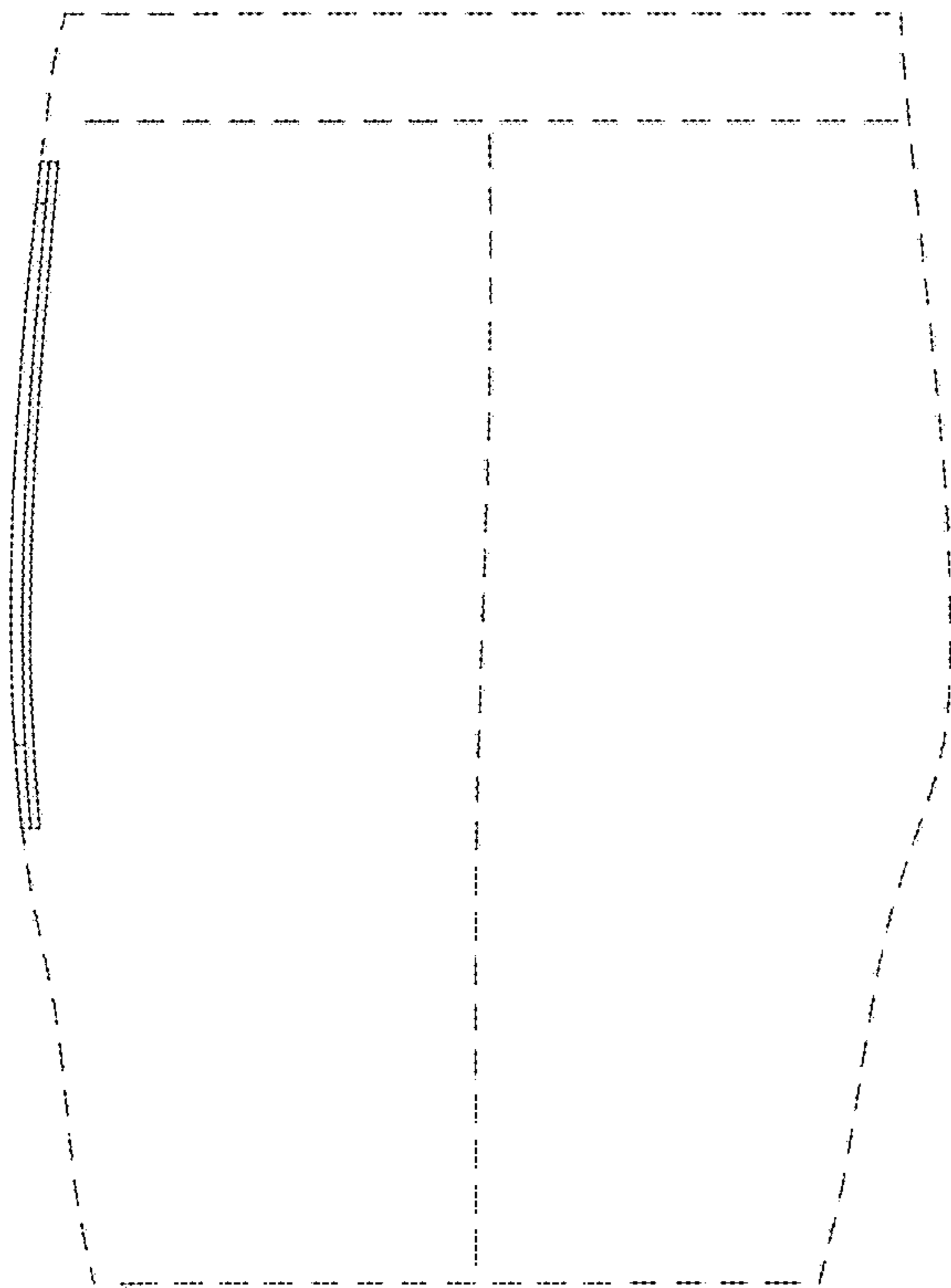


FIG. 4

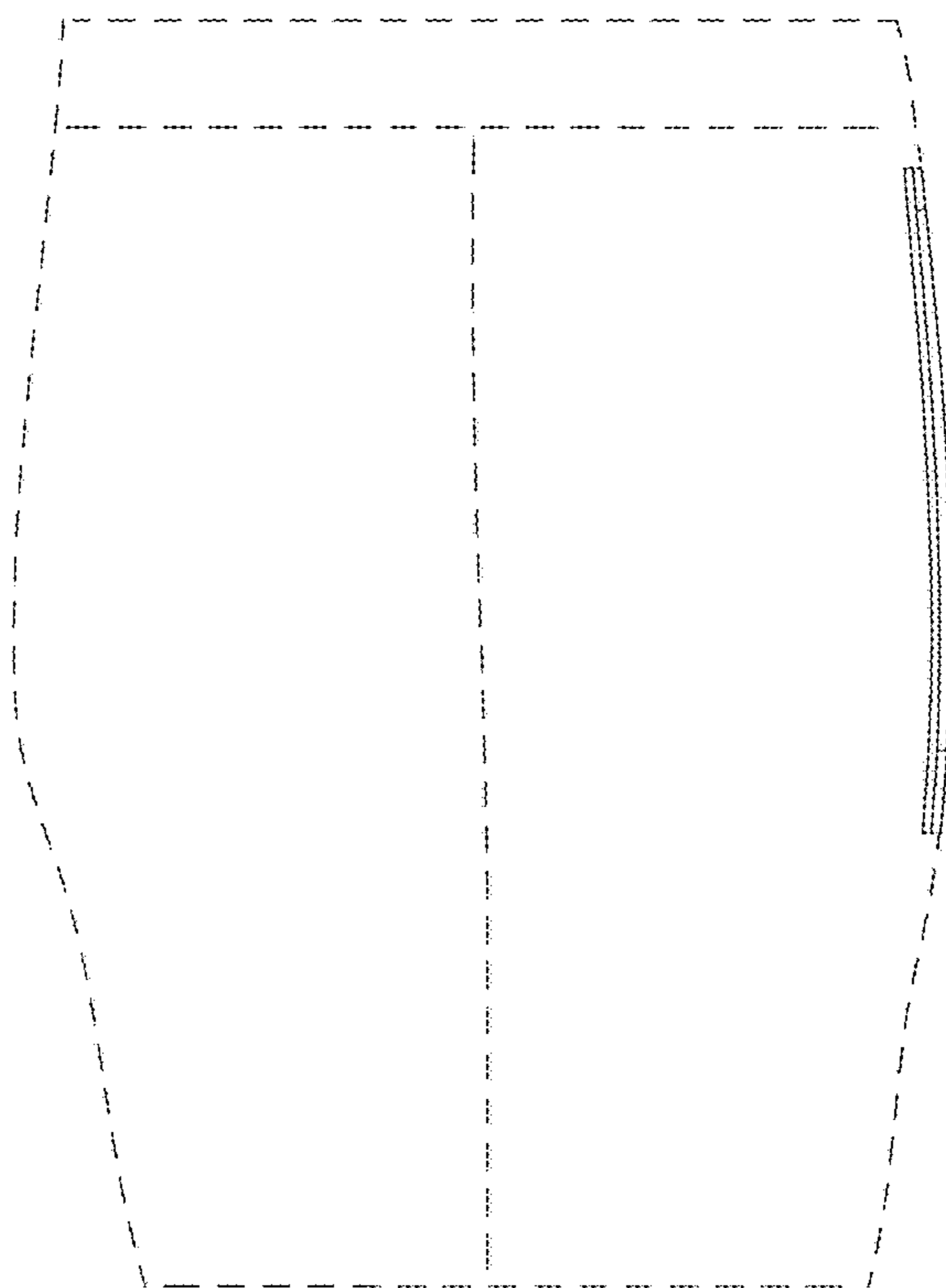


FIG. 5

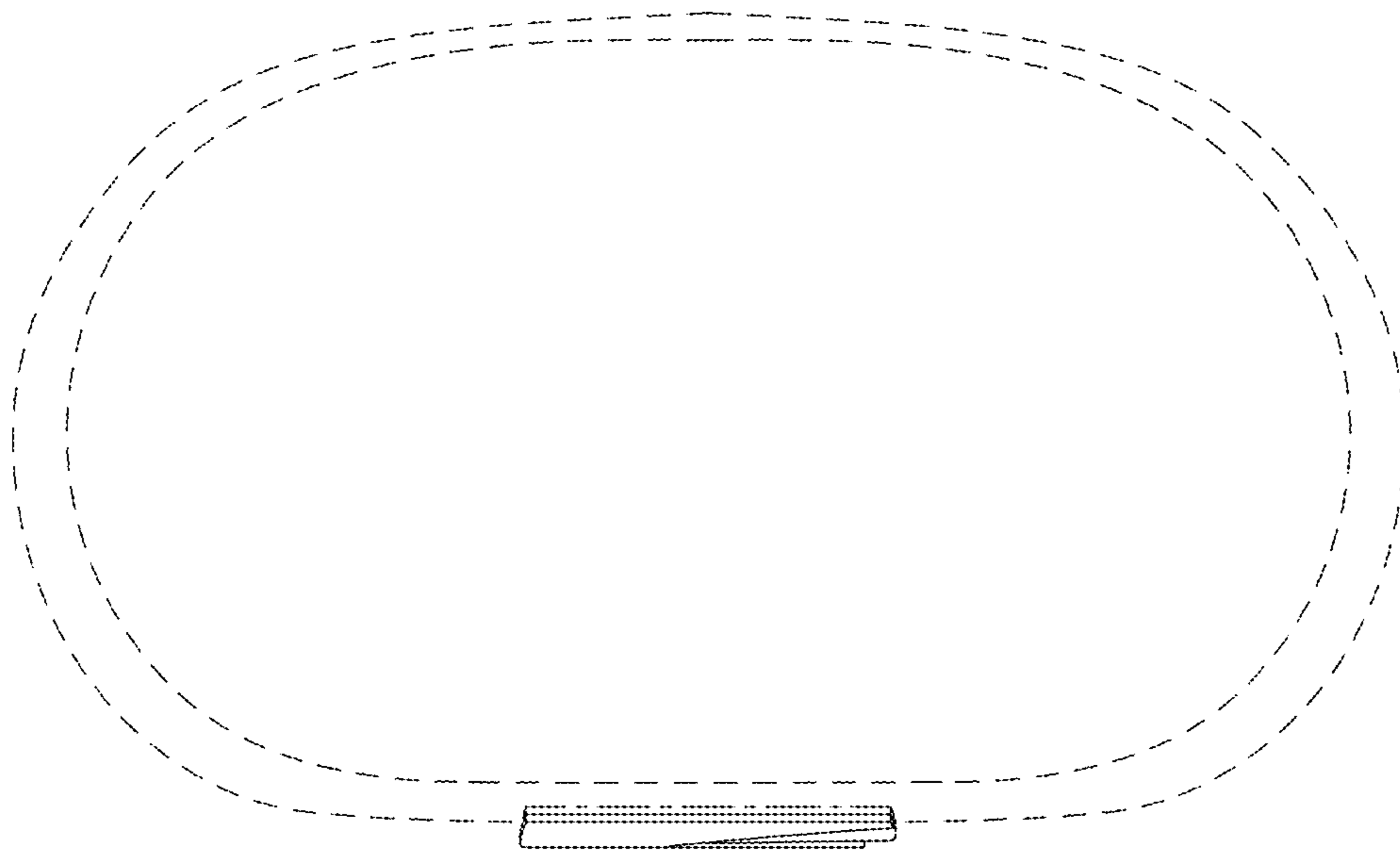


FIG. 6

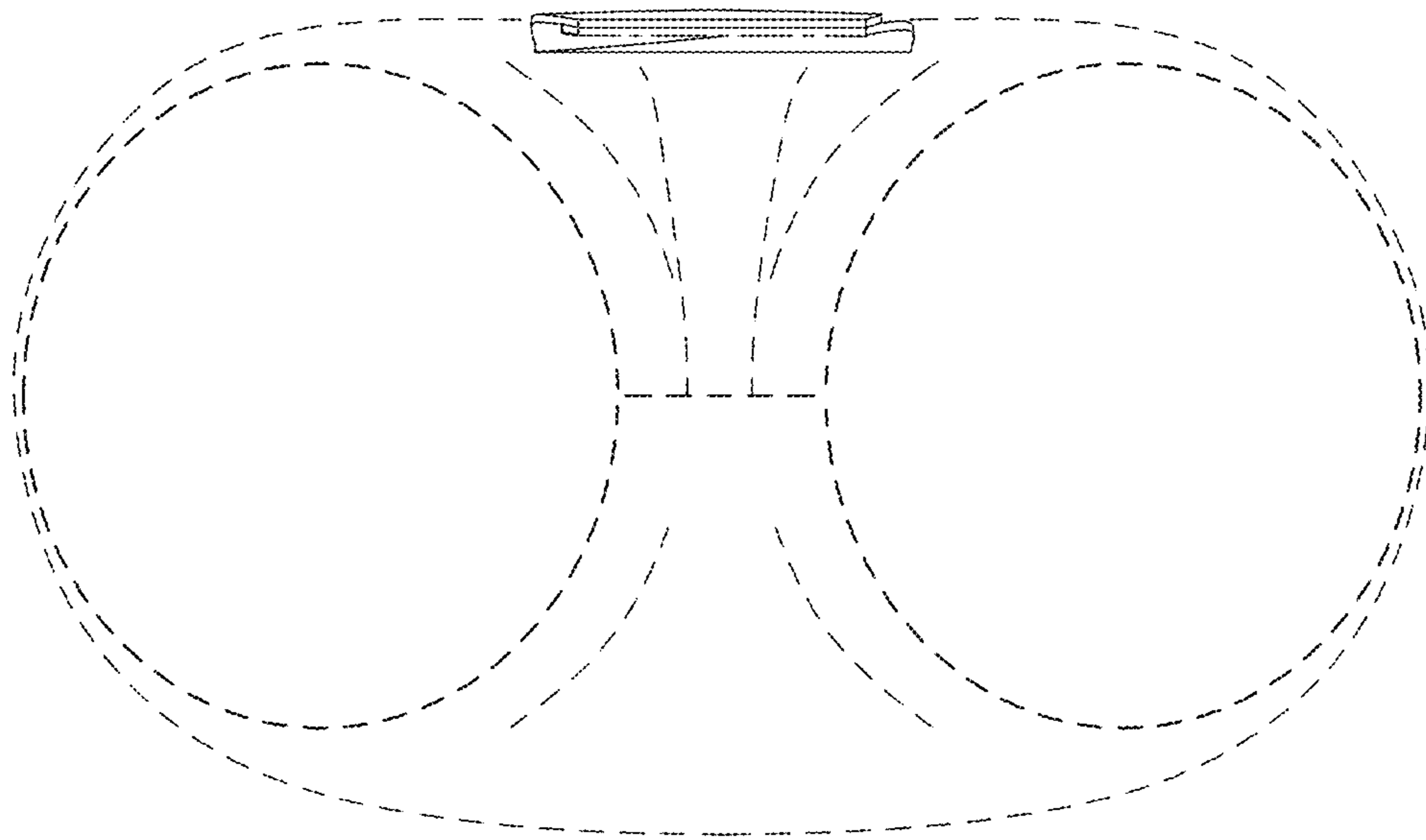


FIG. 7

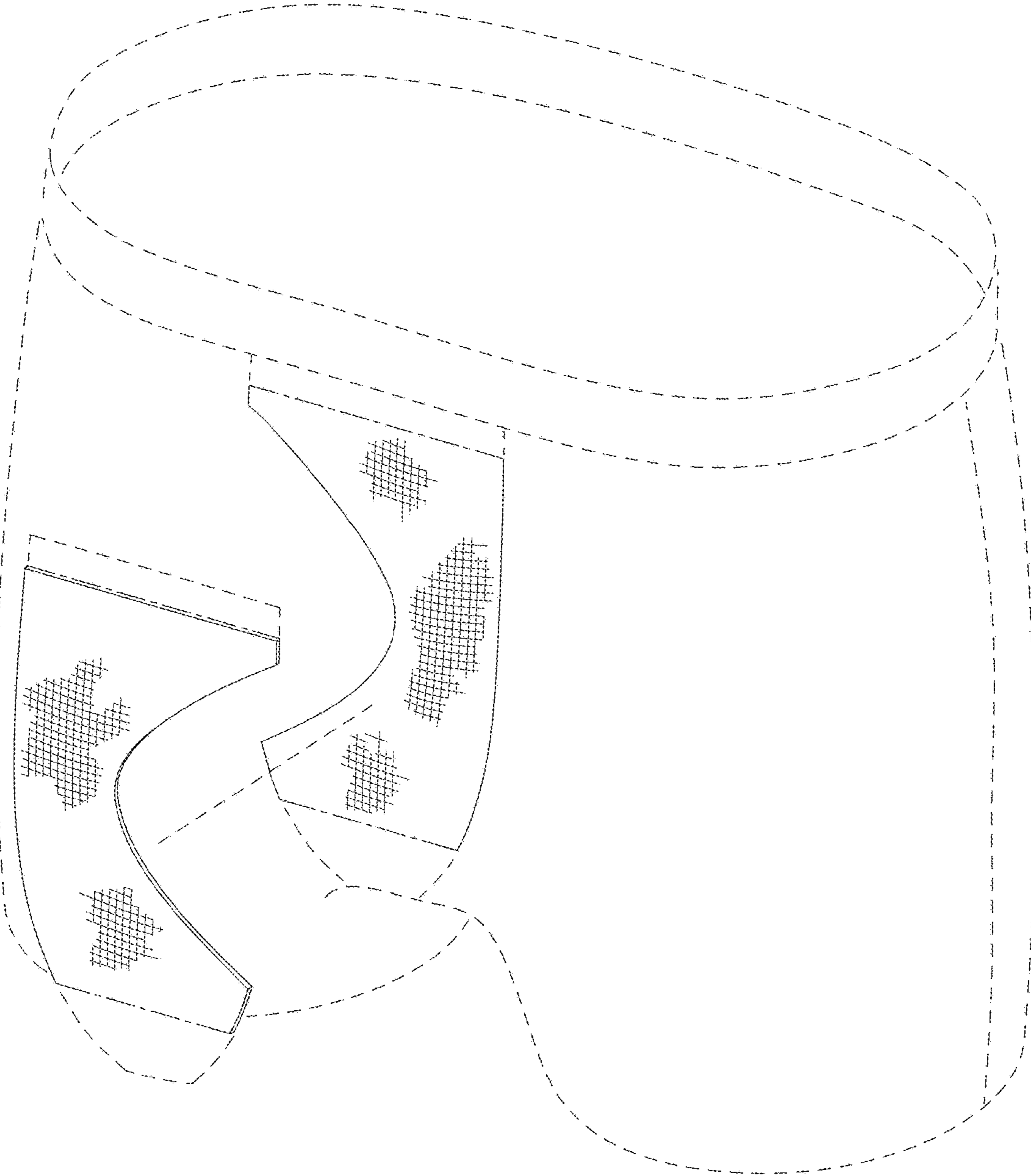


FIG.8