



US00D822339S

(12) **United States Design Patent** (10) **Patent No.:** **US D822,339 S**
Wilson et al. (45) **Date of Patent:** **** Jul. 10, 2018**

(54) **PET TREAT**
(71) Applicant: **Societe des Produits Nestlé S.A.,**
Vevey (CH)
(72) Inventors: **Ryan C. Wilson**, Northbrook, IL (US);
Gregory S. Shearson, Kenilworth, IL
(US); **Patrick Schafer**, St. Louis, MO
(US); **Andrew Travis Teonchuk**,
Warren, PA (US)
(73) Assignee: **Société des Produits Nestlé S.A.,**
Vevey (CH)
(**) Term: **15 Years**

D529,667 S 10/2006 Axelrod
D530,481 S * 10/2006 Koenig D1/125
D531,365 S 10/2006 Axelrod
D531,383 S 11/2006 Dettmer et al.
D584,476 S 1/2009 Caudill et al.
D584,477 S 1/2009 Caudill et al.
D587,427 S 3/2009 Torney et al.
D587,428 S 3/2009 Torney et al.
D587,429 S 3/2009 Torney et al.
7,497,189 B2 3/2009 Torney et al.
D590,127 S 4/2009 Caudill et al.
D603,127 S 11/2009 Townsend et al.
D603,128 S 11/2009 Townsend et al.
D603,578 S 11/2009 Townsend et al.
D635,326 S 4/2011 Freije
D636,948 S 4/2011 Axelrod et al.

(Continued)

(21) Appl. No.: **29/590,285**
(22) Filed: **Jan. 9, 2017**
(51) **LOC (11) Cl.** **01-01**
(52) **U.S. Cl.**
USPC **D1/199**
(58) **Field of Classification Search**
USPC D1/100–130, 199; 426/5, 76, 87, 92, 94,
426/95, 99, 101, 103, 108, 138–139, 143,
426/144, 279, 282, 283, 391, 514, 549,
426/660; D13/100; D24/101–104;
D28/8.1; 424/467; 425/195; 34/296;
D6/601; D9/453
CPC .. A61K 9/2072; A61K 9/0004; A61K 9/2095;
A61K 9/209
See application file for complete search history.

OTHER PUBLICATIONS

U.S. Trademark Registration No. 2,069,303, filed May 6, 1996,
owned by Mars, Incorporated.

(Continued)

Primary Examiner — Katie Jane Stofko
(74) *Attorney, Agent, or Firm* — Finnegan, Henderson,
Farabow, Garrett & Dunner LLP

(57) **CLAIM**

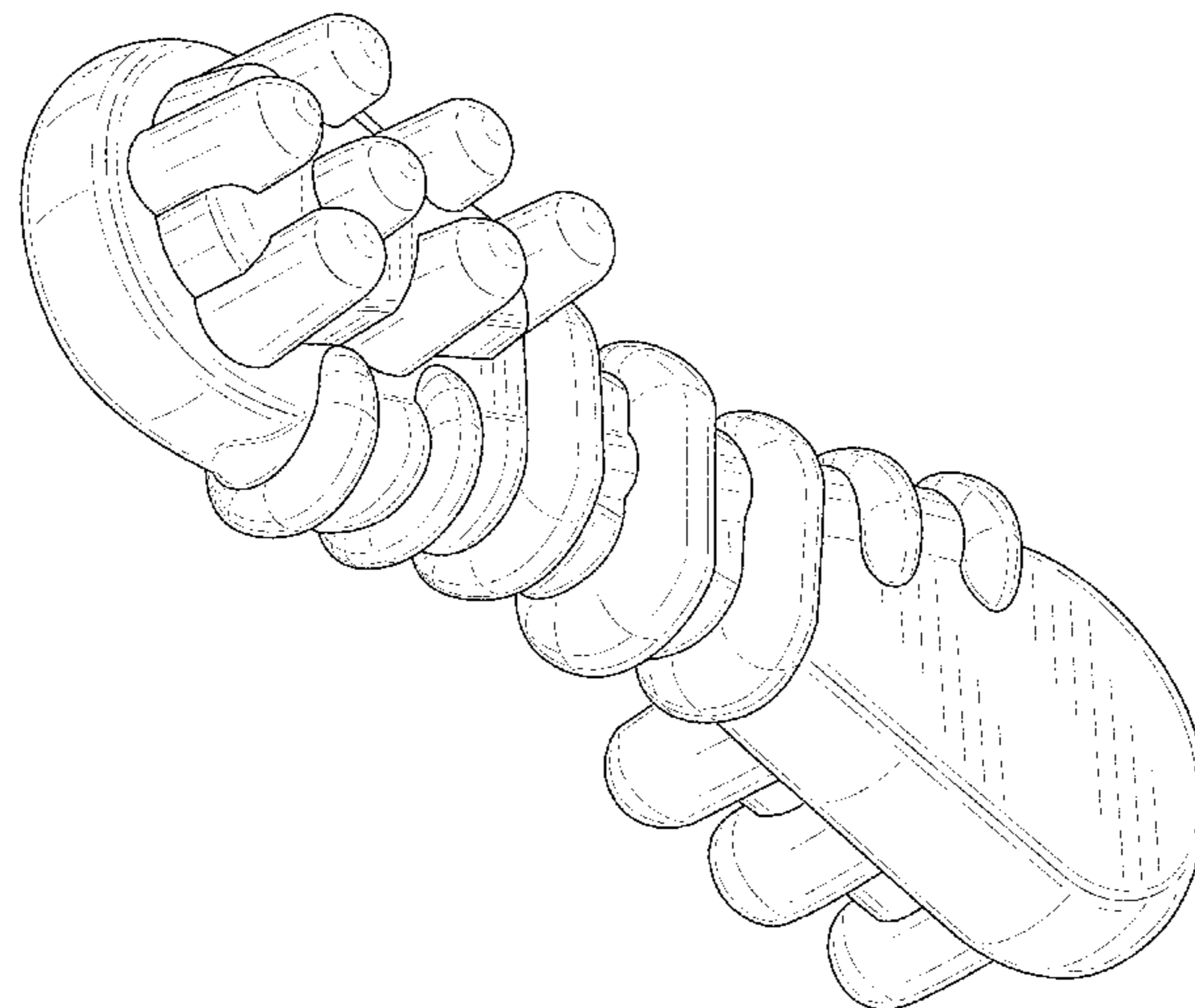
The ornamental design for a pet treat, as shown and
described.

DESCRIPTION

FIG. 1 is a front, bottom, left perspective view of a pet treat
showing our new design;
FIG. 2 is a front elevation view thereof;
FIG. 3 is a rear elevation view thereof;
FIG. 4 is a left side view thereof;
FIG. 5 is a right side view thereof;
FIG. 6 is a top plan view thereof; and,
FIG. 7 is a bottom plan view thereof.

1 Claim, 6 Drawing Sheets

(56) **References Cited**
U.S. PATENT DOCUMENTS
D387,482 S * 12/1997 Khan D28/8.1
D404,495 S * 1/1999 Chien D24/211
D466,695 S * 12/2002 Chen D24/211
D499,226 S 12/2004 Axelrod
D503,998 S 4/2005 Axelrod
D528,736 S * 9/2006 Koenig D1/125



(56)

References Cited

U.S. PATENT DOCUMENTS

D638,589	S	5/2011	Axelrod et al.	
D638,606	S	5/2011	Freije	
D658,888	S	5/2012	Prochaska	
D684,746	S	6/2013	Pang et al.	
D699,416	S	2/2014	Barnvos et al.	
D715,016	S	10/2014	Huang	
D717,016	S	11/2014	Osenga	
D740,518	S	10/2015	Axelrod et al.	
D745,241	S	12/2015	Doerr	
D747,067	S	1/2016	Axelrod et al.	
D749,292	S	2/2016	Peniche	
D751,266	S	3/2016	Donatucci et al.	
9,364,305	B2 *	6/2016	Lynch	A61D 5/00
D762,042	S	7/2016	Osenga	
2008/0041320	A1 *	2/2008	Torney	A01K 15/026 119/709
2012/0279460	A1 *	11/2012	Pang	A01K 15/026 119/709

OTHER PUBLICATIONS

U.S. Trademark Registration No. 122,596, filed Aug. 1, 2006, owned by Mars, Incorporated.

U.S. Trademark Registration No. 3,220,961, filed Jan. 4, 2002, owned by Mars, Incorporated.

Toothbrush/Whimzees Natural Dog Treats, <http://www.whimzees.com/products/toothbrush>, Jan. 9, 2017 (3 pages).

* cited by examiner

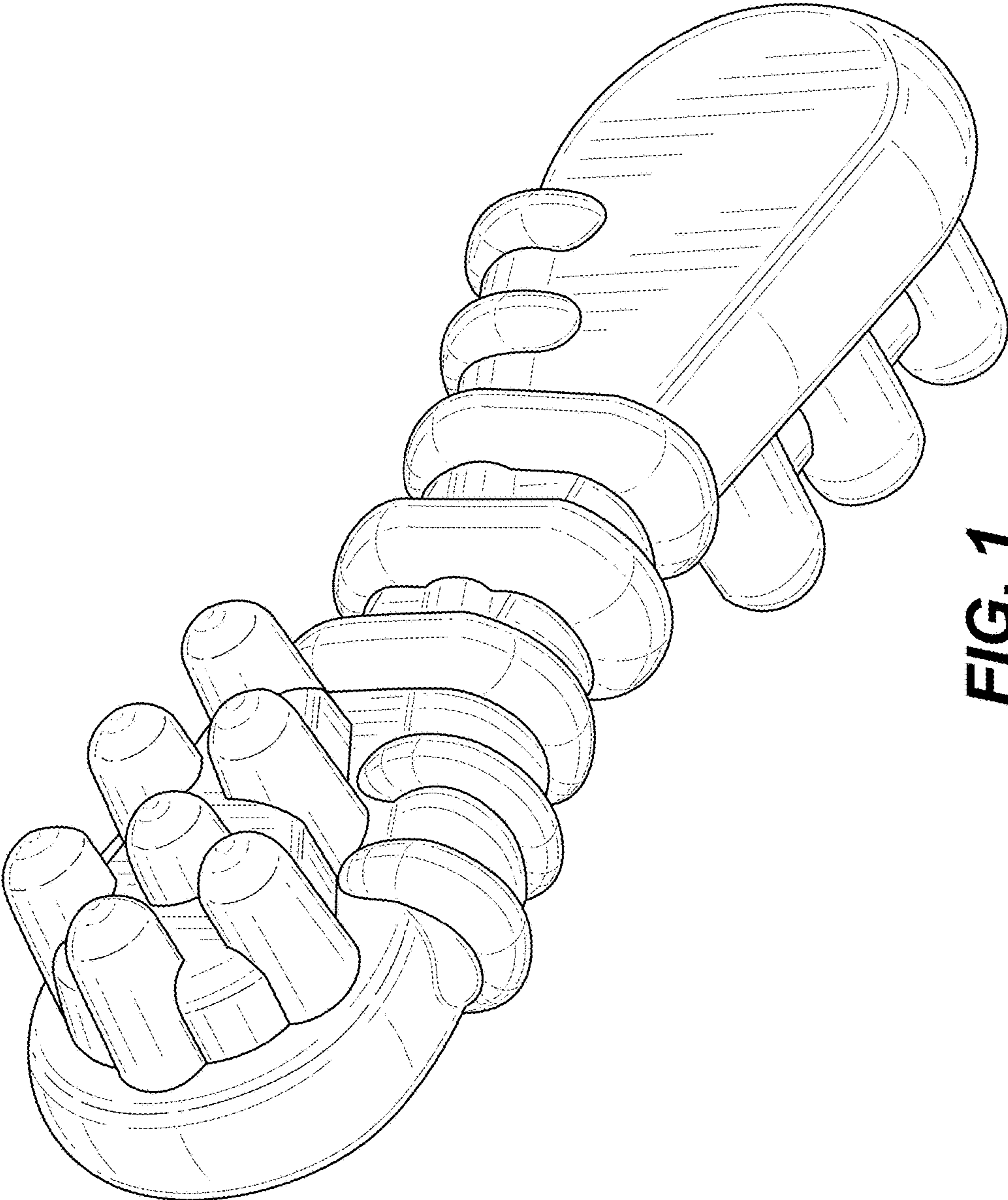


FIG. 1

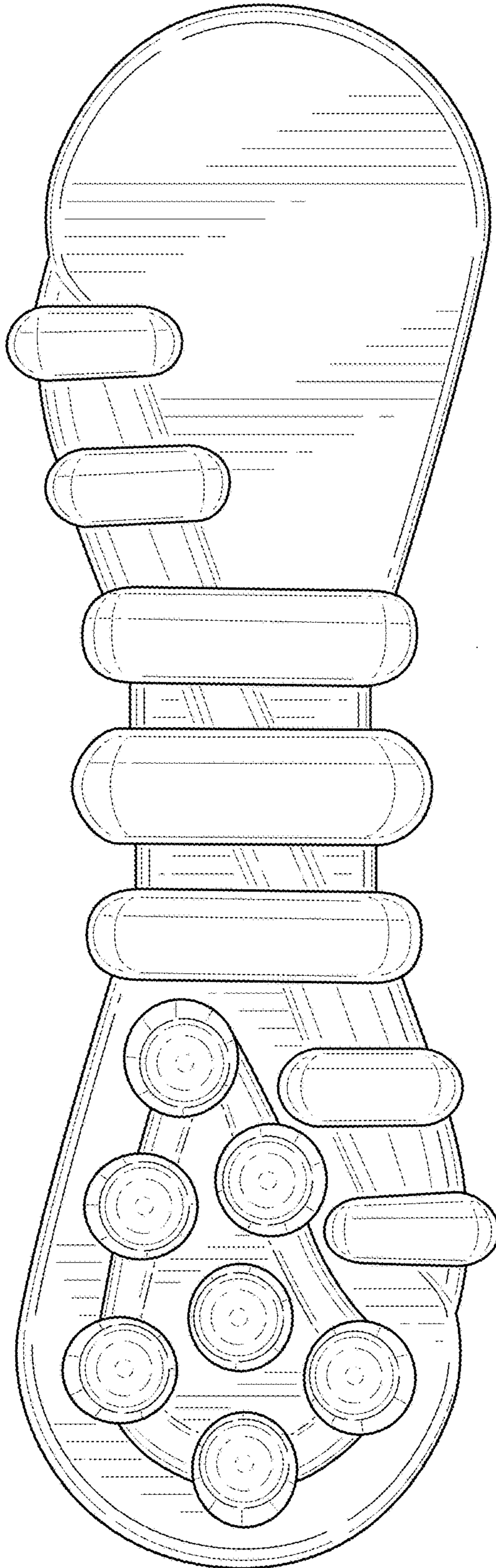


FIG. 2

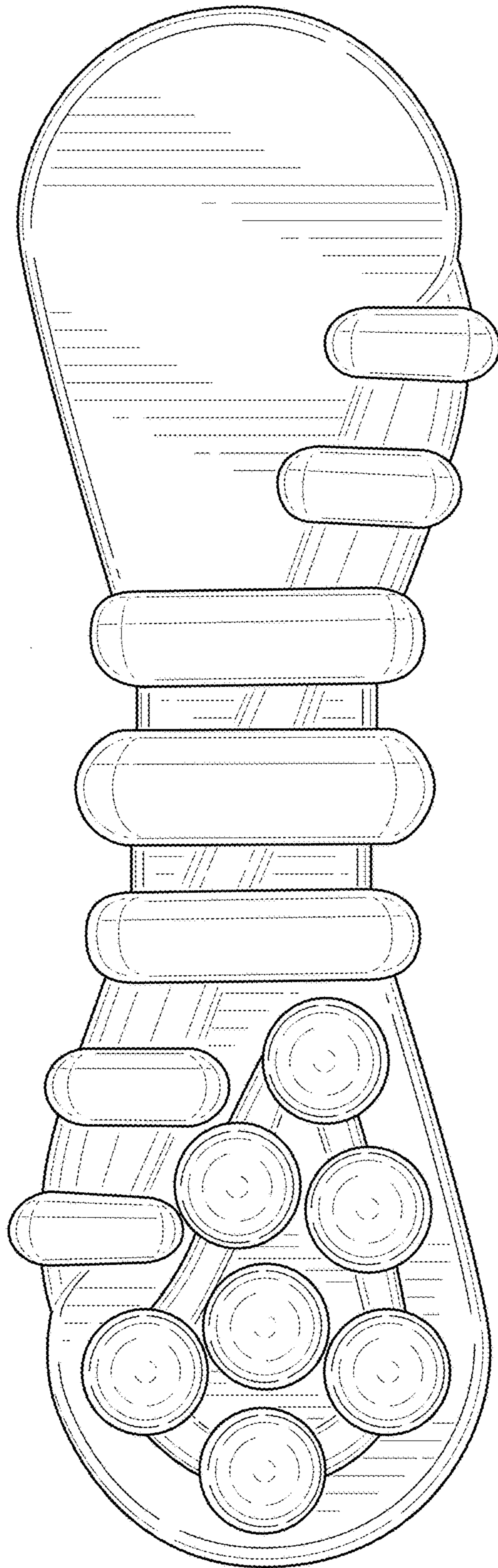


FIG. 3

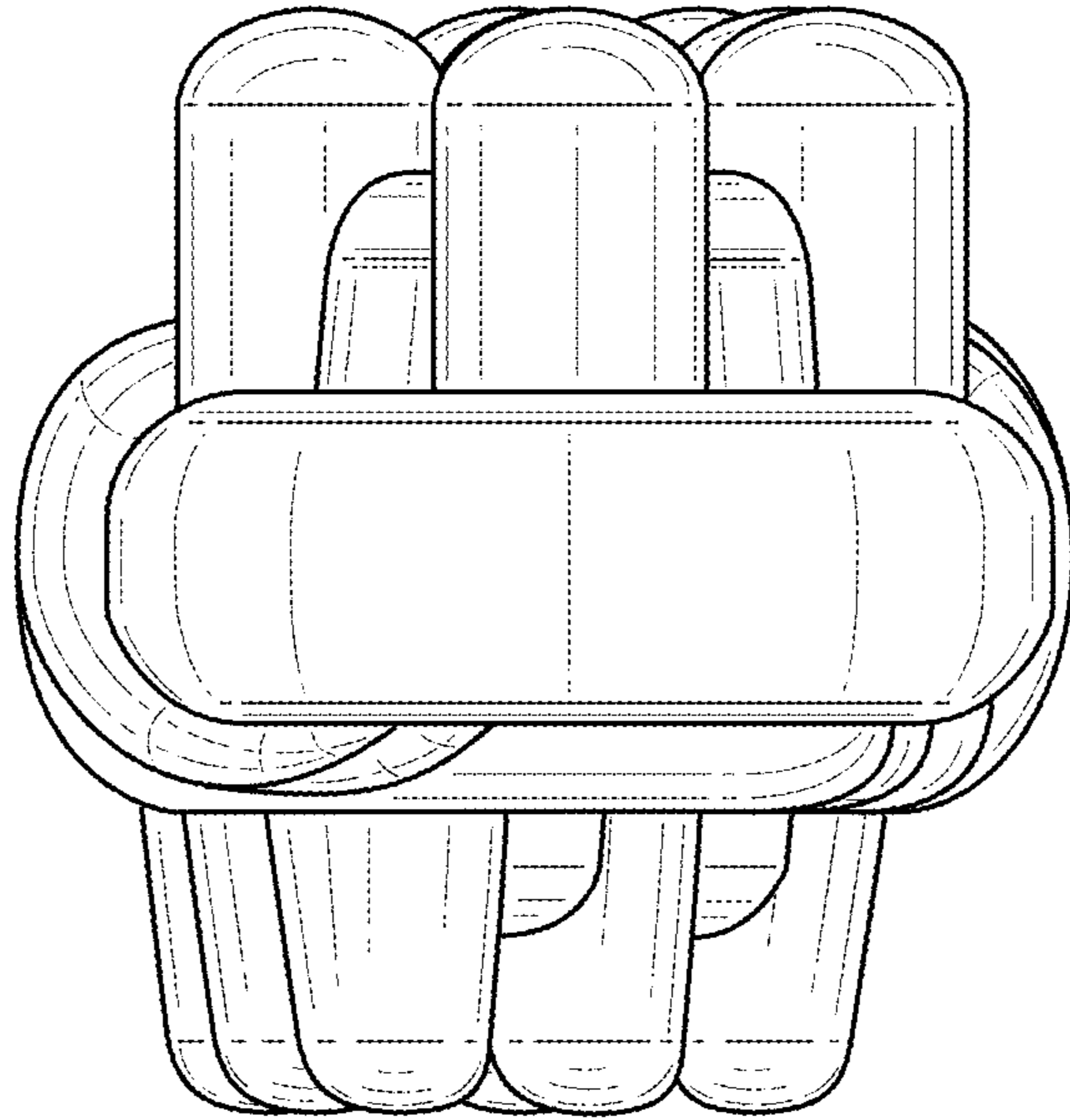


FIG. 5

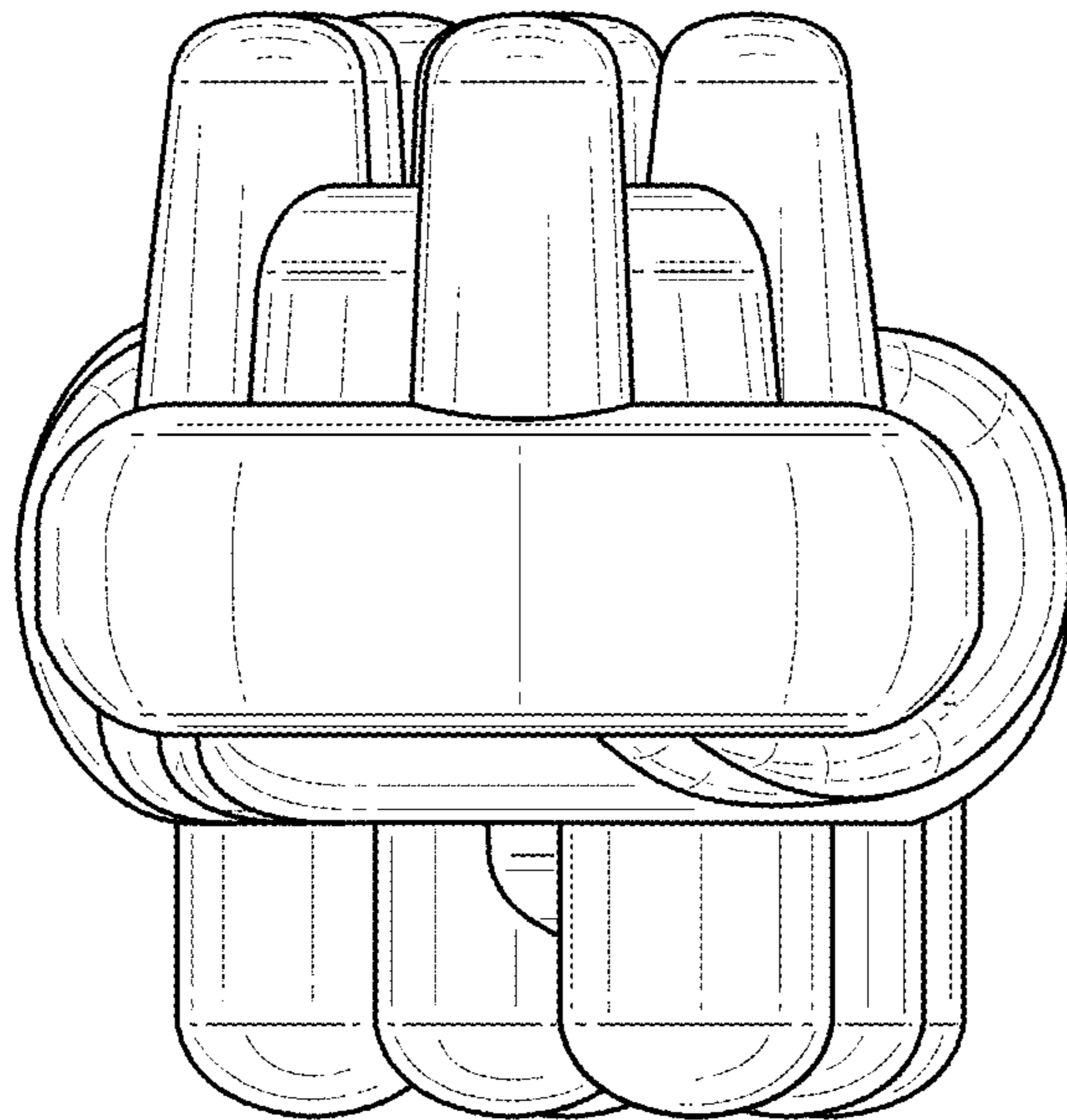


FIG. 4

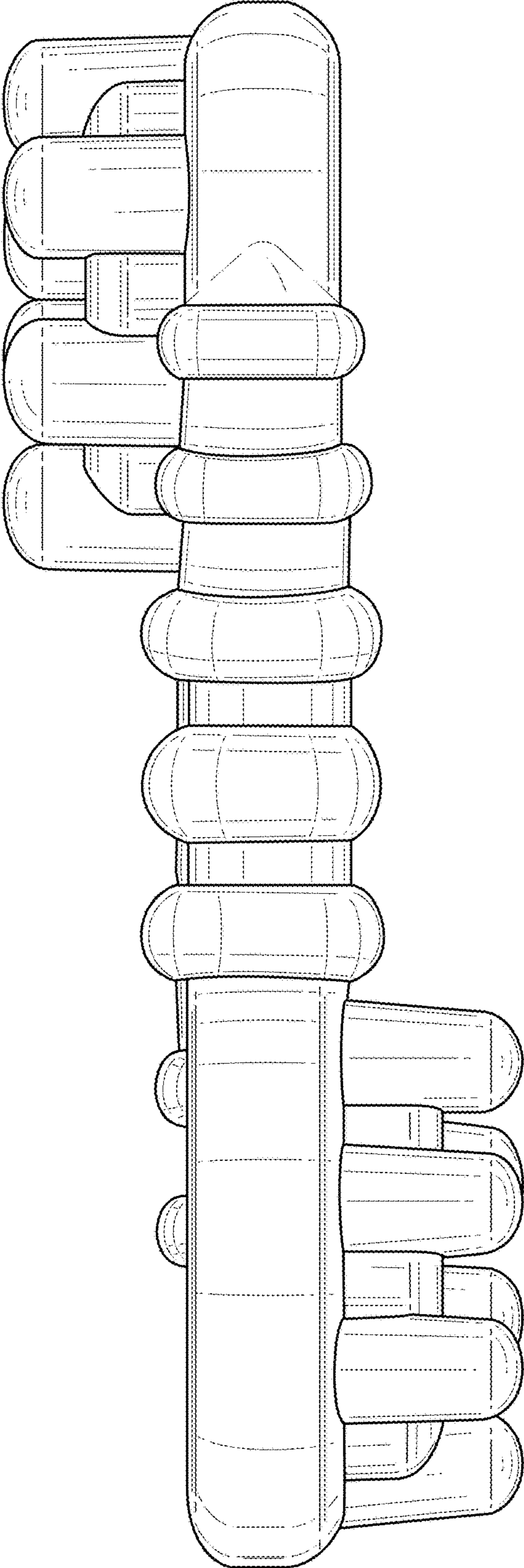


FIG. 6

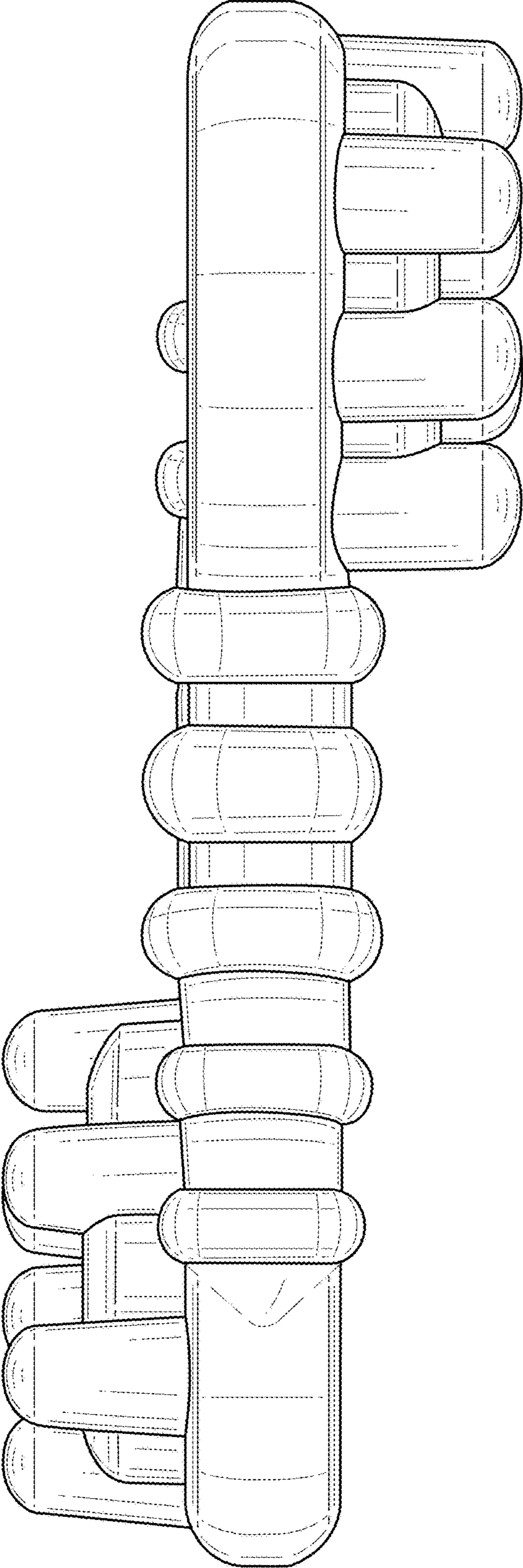


FIG. 7