



US00D822333S

(12) **United States Design Patent** (10) **Patent No.:** **US D822,333 S**
Amoako-Poku et al. (45) **Date of Patent:** **** Jul. 10, 2018**

(54) **CONFECTION**

(56) **References Cited**

(71) Applicant: **INTERCONTINENTAL GREAT BRANDS LLC**, East Hanover, NJ (US)

U.S. PATENT DOCUMENTS

(72) Inventors: **Francis Amoako-Poku**, Whippany, NJ (US); **Susan Pettigrew**, Whippany, NJ (US); **Doris Tancredi**, Whippany, NJ (US); **Zi Yang**, Whippany, NJ (US); **Kishor Kabse**, Whippany, NJ (US); **Atsushi Ueminami**, Kanagawa (JP)

1,267,320 A	5/1918	Fries	
1,771,506 A	7/1930	Mustin	
1,771,981 A	7/1930	Mustin	
1,771,982 A	7/1930	Mustin	
D90,687 S	9/1933	Sherrill	
D90,688 S	9/1933	Sherrill	
2,019,653 A *	11/1935	Buyer	E04B 2/16 52/592.5
3,492,131 A	1/1970	Schlatter	
3,969,513 A	7/1976	Canonne	
D243,855 S *	3/1977	Hynes	D25/118
4,352,824 A	10/1982	Puglia et al.	
4,587,128 A	5/1986	Cummings	
4,619,834 A	10/1986	Zanno et al.	
4,741,905 A	5/1988	Huzinec	
4,847,090 A	7/1989	Della Posta et al.	
5,017,385 A	5/1991	Wienecke	
5,061,218 A *	10/1991	Garage	A63H 33/086 446/102
D330,794 S *	11/1992	Kesdekoglu	D1/127
D334,645 S	4/1993	Kennedy	
D358,927 S	6/1995	Davis et al.	
D360,969 S	8/1995	Uecker et al.	
5,437,879 A	8/1995	Kabse et al.	
5,679,397 A	10/1997	Kuroda et al.	
D387,431 S *	12/1997	Tremblay	D25/113
5,879,728 A	3/1999	Graff et al.	
D426,933 S *	6/2000	Redfern	D21/491
D428,682 S	8/2000	Rapaport	
6,200,611 B1 *	3/2001	Ganesan	A23L 7/126 425/308
D468,839 S *	1/2003	Bland	D25/113
6,506,424 B2	1/2003	Nielsen et al.	
D487,181 S	3/2004	Ghaffari et al.	
D508,302 S	8/2005	Malina et al.	
7,078,052 B2	7/2006	Ream et al.	
7,214,396 B2	5/2007	Rivier	
D557,877 S	12/2007	Maly et al.	
D560,876 S *	2/2008	Rosso	D1/125
D571,978 S	7/2008	Yusufov	
7,452,558 B2	11/2008	Jani et al.	
D588,778 S	3/2009	Winward et al.	
D588,779 S *	3/2009	Winward	D1/127
D652,952 S *	1/2012	Angel	D25/113

(73) Assignee: **INTERCONTINENTAL GREAT BRANDS LLC**, East Hanover, NJ (US)

(**) Term: **15 Years**

(21) Appl. No.: **29/607,889**

(22) Filed: **Jun. 16, 2017**

Related U.S. Application Data

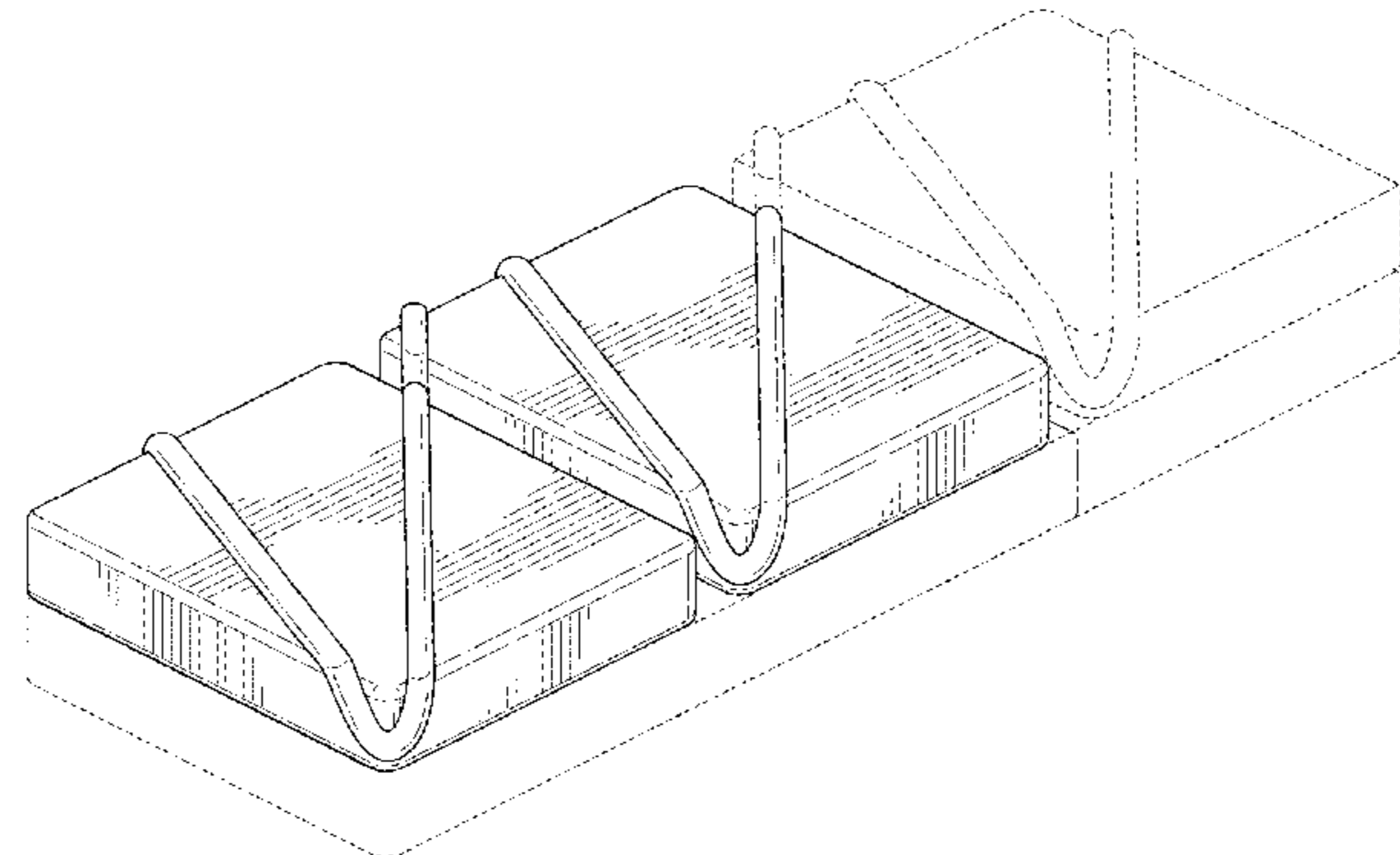
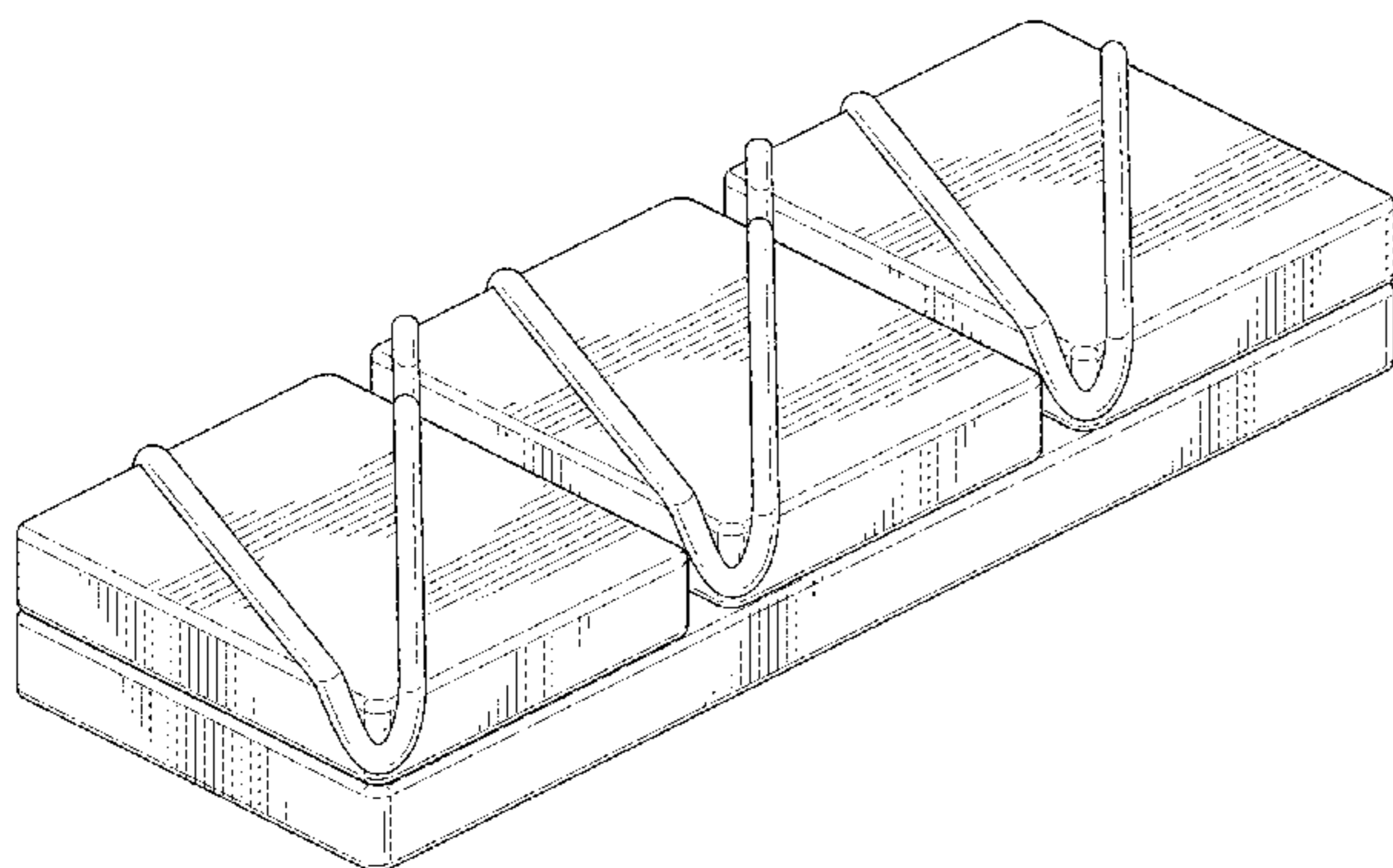
(60) Division of application No. 29/557,231, filed on Mar. 7, 2016, now Pat. No. Des. 796,775, which is a continuation-in-part of application No. 29/538,880, filed on Sep. 9, 2015, now abandoned.

(51) **LOC (11) Cl.** **01-01**

(52) **U.S. Cl.**
USPC **D1/127; D1/121**

(58) **Field of Classification Search**
USPC D1/100-130, 199; 426/74, 92-94, 104, 426/134, 138, 143, 275, 277, 279, 426/281-284, 292, 295, 391, 439, 496, 426/514, 566, 572, 660; 249/92; D21/623, 803, 386; 119/710; D7/359; D25/138; D23/366
CPC A23L 1/1641; A23L 1/1643; A23L 1/1817; A23L 1/2175

See application file for complete search history.



D654,656	S	2/2012	Mangel	
8,263,168	B2	9/2012	Bellody, Jr. et al.	
D697,689	S	1/2014	Krumholz et al.	
D702,551	S	4/2014	Wisniewski et al.	
D703,050	S	4/2014	Lopez et al.	
D703,051	S	4/2014	Riley et al.	
D703,057	S	4/2014	Moore et al.	
D703,068	S	4/2014	Kick	
8,703,228	B2	4/2014	Boghani et al.	
D715,019	S	10/2014	Rosenberg	
D719,718	S	12/2014	Schweitzer	
9,187,895	B2 *	11/2015	Rodriguez Carassus . E04B 2/06	
D752,843	S	4/2016	Krumholz et al.	
D767,241	S *	9/2016	Sanctis D1/101	
D767,243	S *	9/2016	Sanctis D1/101	
9,486,002	B2	11/2016	Boghani et al.	
D786,586	S *	5/2017	Rosan D6/641	
D791,885	S *	7/2017	Rosan D21/500	
2004/0142074	A1	7/2004	Hentzel et al.	
2005/0074518	A1	4/2005	Soldani	
2005/0220934	A1	10/2005	Leadbeater et al.	
2006/0039872	A1	2/2006	Schmidt	
2006/0057276	A1	3/2006	Carcasona et al.	
2006/0263481	A1	11/2006	Fritz et al.	
2007/0231427	A1	10/2007	Ream	
2008/0160138	A1	7/2008	Boghani et al.	
2008/0166449	A1	7/2008	Kabse et al.	
2008/0187621	A1	8/2008	Boghani et al.	
2008/0199564	A1	8/2008	Boghani et al.	
2009/0123502	A1	5/2009	Kumiega et al.	
2009/0202673	A1	8/2009	Phillips et al.	
2009/0311368	A1	12/2009	Wittorff	
2010/0136165	A1	6/2010	Miladinov et al.	
2010/0136185	A1	6/2010	Miladinov et al.	
2010/0196548	A1	8/2010	Mederer	
2010/0252788	A1 *	10/2010	Wickwire B60T 3/00 254/88	
2011/0159142	A1	6/2011	Marin et al.	
2011/0159143	A1	6/2011	Elejalde et al.	
2011/0262588	A1	10/2011	Elejalde et al.	
2011/0268837	A1	11/2011	Jani	
2012/0207875	A1	8/2012	Aldridge et al.	
2013/0209644	A1	8/2013	Miladinov et al.	
2013/0295271	A1	11/2013	Ueda et al.	
2014/0004224	A1	1/2014	Jani et al.	
2014/0271985	A1	9/2014	Amoako-Poku et al.	
2016/0015053	A1	1/2016	Amoako-Poku et al.	

FOREIGN PATENT DOCUMENTS

EP	1765304	A1	1/2006
EP	2124631	B1	8/2012
EP	2206438	B1	8/2012
JP	0947226	A	2/1997
JP	2013042665	A	3/2013
WO	2003055325	A1	7/2003
WO	2006037322	A1	4/2006
WO	2006116995	A1	11/2006
WO	2007076025	A2	7/2007
WO	2007076170	A2	7/2007
WO	2008027952	A1	3/2008
WO	2008067207	A1	6/2008
WO	2008116700	A1	10/2008
WO	2009154887	A1	12/2009
WO	2011117638	A2	9/2011
WO	2011153229	A1	12/2011
WO	2012106582	A2	8/2012
WO	2014057637	A1	4/2014
WO	2014152952	A1	9/2014

OTHER PUBLICATIONS

Harris, Nicole. "Triple Chocolate Mocha Brownies." Wonky Wonderful. May 18, 2015. Web. Dec. 11, 2017. <<https://cupoftea3.wordpress.com/2013/11/15/chocolate-fudge-cookie-bars-with-biscoff-drizzle-and-pretzel-crust/>>.*

Final Office Action; U.S. Appl. No. 14/210,502, filed Mar. 14, 2014; Chewing Gum Snacks; and Methods of Making Thereof; dated Dec. 22, 2016; 13 Pages.

First Office Action; Chinese Application No. 201630064416.X; dated Jun. 22, 2016; 2 Pages.

International Preliminary Report on Patentability; International Application No. PCT/US2014/028376; International Filing Date: Mar. 14, 2014; dated Sep. 24, 2015; 6 Pages.

International Search Report of the International Searching Authority; International Application No. PCT/US2014/028376; International Filing Date: Mar. 14, 2014; dated Jul. 25, 2014; 6 pages.

Kirk-Othmer Encyclopedia of Chemical Technology. 4th Ed.; John Wiley and Sons; 1991; vol. 1: p. 492-494.

Non-Final Office Action; U.S. Appl. No. 14/210,502, filed Mar. 14, 2014; Chewing Gum Snacks; and Methods of Making Thereof; dated Aug. 25, 2016; 31 Pages.

Notice of Allowance; Japanese Application No. 2016-005208; dated Sep. 29, 2016; 2 Pages.

Notice of Allowance; Japanese Application No. 2016-005209; dated Jan. 10, 2017; 2 Pages.

Notice of Allowance; Japanese Application No. 2016-005210; dated Jan. 11, 2017; 2 Pages.

Notice of Allowance; U.S. Appl. No. 29/557,231; filed Mar. 7, 2016; Confection; dated Mar. 16, 2017; 20 Pages.

Notice of Allowance; U.S. Appl. No. 29/557,231, filed Mar. 7, 2016; Confection; dated Jun. 28, 2017; 11 Pages.

Notice of Reasons for Refusal; Japanese Application No. 2015-552693; dated May 26, 2016; 21 Pages.

Notice of Reasons for Rejection and Instructions; Japanese Application No. 2016-005209; dated Sep. 30, 2016; 8 Pages.

Notice of Reasons for Rejection and Instructions; Japanese Application No. 2016-005210; dated Sep. 30, 2016; 8 Pages.

Notice of Reasons for Rejection; Japanese Application No. 2015-552693; dated Dec. 22, 2016; 15 Pages.

Notification of First Office Action and Search Report; Chinese Application No. 201480009924.6; dated Nov. 21, 2016; 22 Pages.

Notification of Granting Patent Right for Design and Notification of Going Through the Formalities of Registration; Chinese Application No. 201630064416.X; dated Sep. 19, 2016; 5 Pages.

Office Action and Search Report; Russian Application No. 2015133024; dated Jan. 18, 2017; 9 Pages.

Requirement for Restriction/Election; U.S. Appl. No. 29/538,880, filed Sep. 9, 2015; Confection; dated Aug. 4, 2016; 7 Pages.

Requirement for Restriction/Election; U.S. Appl. No. 29/557,231, filed Mar. 7, 2016; Confection; dated Oct. 28, 2016; 8 Pages.

Stone & Sidel, Sensory Evaluation Practices, Preface, 3rd ed., San Diego, CA., Elsevier Academic Press (2004), 2 pages.

Written Opinion of the International Searching Authority; International Application No. PCT/US2014/028376; International Filing Date: Mar. 14, 2014; dated Jul. 25, 2014; 8 pages.

* cited by examiner

Primary Examiner — Katie Jane Stofko
(74) Attorney, Agent, or Firm — Cantor Colburn LLP

(57) CLAIM

We claim, the ornamental design for a confection, as shown and described.

DESCRIPTION

FIG. 1 is a perspective view of a confection, showing a first embodiment of our new design;
FIG. 2 is a side elevation view of the embodiment shown in FIG. 1;
FIG. 3 is another side elevation view of the embodiment shown in FIG. 1;
FIG. 4 is a front elevation view of the embodiment shown in FIG. 1;

FIG. 5 is a rear elevation view of the embodiment shown in FIG. 1;

FIG. 6 is top plan view of the embodiment shown in FIG. 1;

FIG. 7 is a bottom plan view of the embodiment shown in FIG. 1;

FIG. 8 is a perspective view of a confection, showing a second embodiment of our new design;

FIG. 9 is a side elevation view of the embodiment shown in FIG. 8;

FIG. 10 is another side elevation view of the embodiment shown in FIG. 8;

FIG. 11 is a front elevation view of the embodiment shown in FIG. 8;

FIG. 12 is a rear elevation view of the embodiment shown in FIG. 8;

FIG. 13 is a top plan view of the embodiment shown in FIG. 8;

FIG. 14 is a bottom plan view of the embodiment shown in FIG. 8;

FIG. 15 is a perspective view of a confection, showing a third embodiment of our new design;

FIG. 16 is a side elevation view of the embodiment shown in FIG. 15;

FIG. 17 is another side elevation view of the embodiment shown in FIG. 15;

FIG. 18 is a front elevation view of the embodiment shown in FIG. 15;

FIG. 19 is a rear elevation view of the embodiment shown in FIG. 15;

FIG. 20 is a top plan view of the embodiment shown in FIG. 15; and,

FIG. 21 is a bottom plan view of the embodiment shown in FIG. 15.

The evenly-spaced broken lines in FIGS. 8-21 illustrate portions of the confection that form no part of the claimed design. The dash-dot-dash broken lines shown in FIGS. 15-17 and 20-21 illustrate the boundary of the claimed design that forms no part thereof.

The dash-dot lines are boundary lines delimiting claimed from unclaimed subject matter.

1 Claim, 12 Drawing Sheets

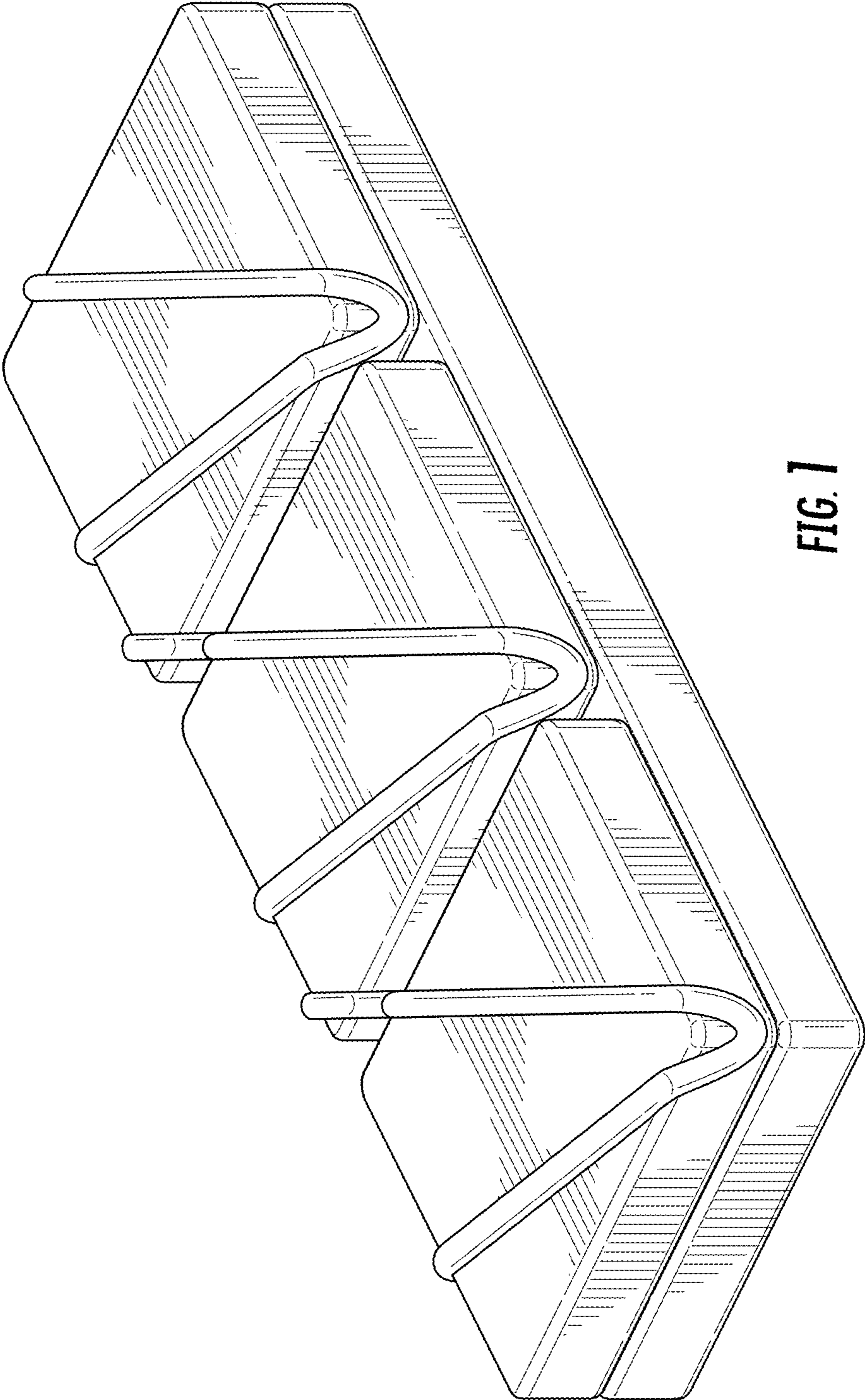


FIG. 1

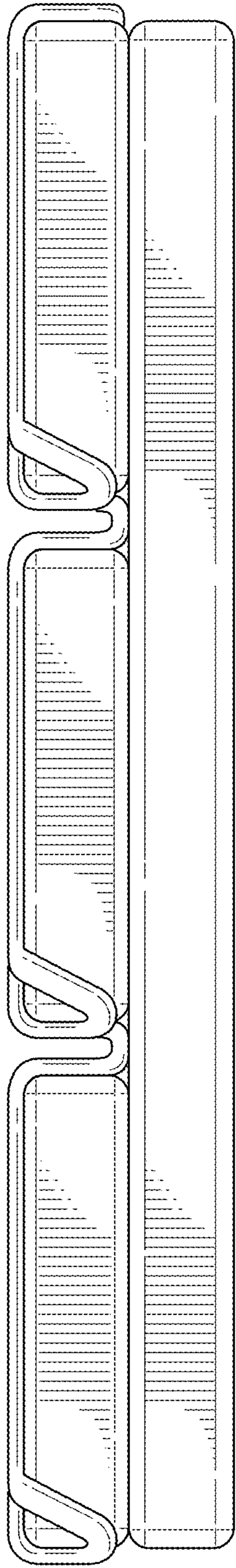


FIG. 2

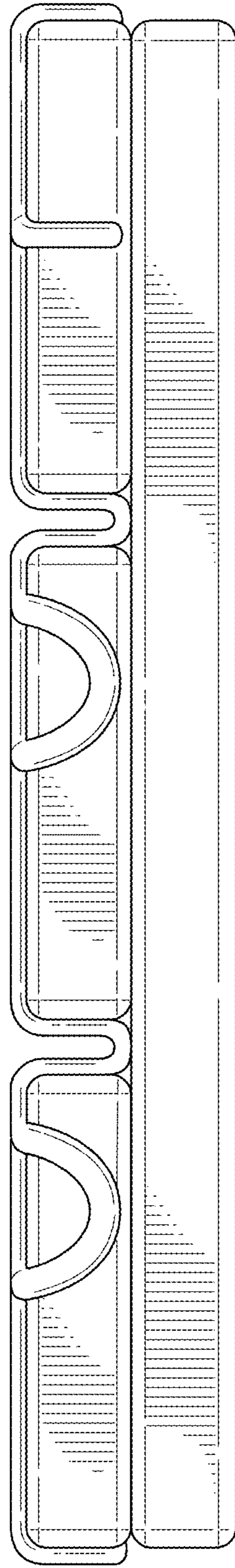


FIG. 3

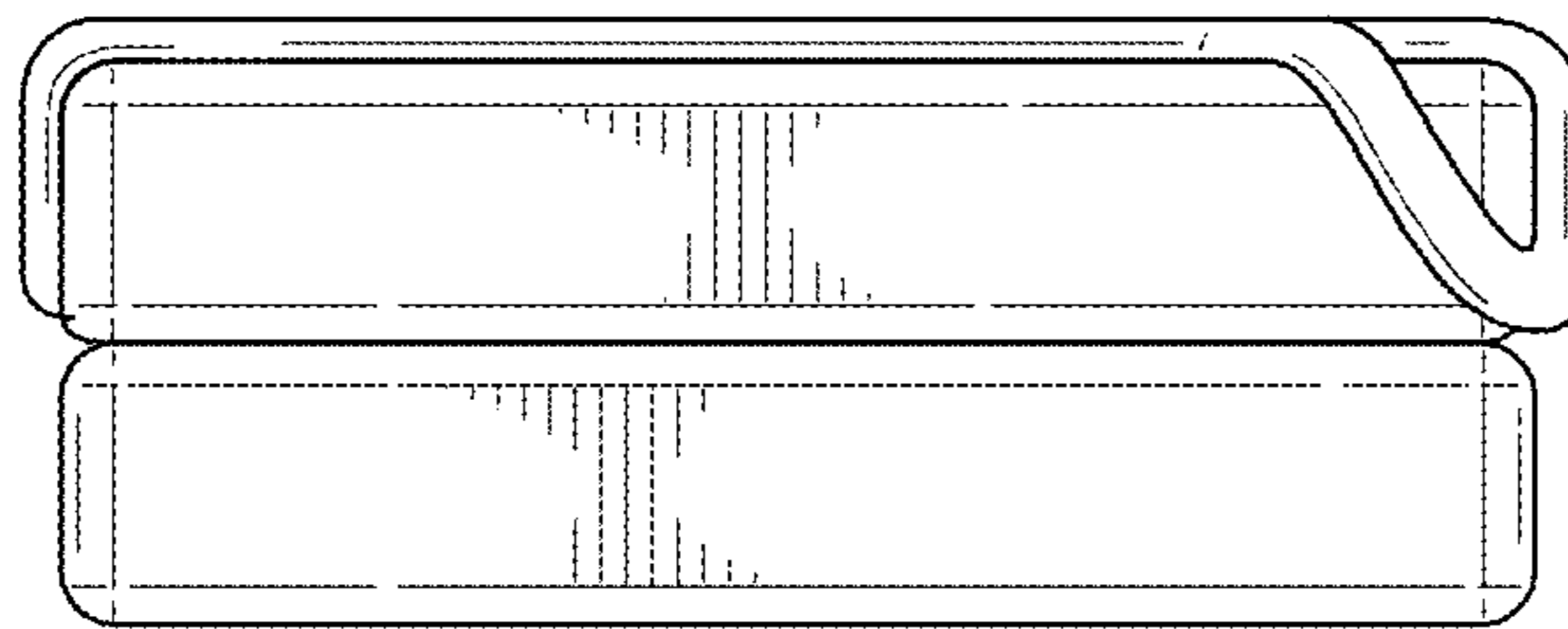


FIG. 4

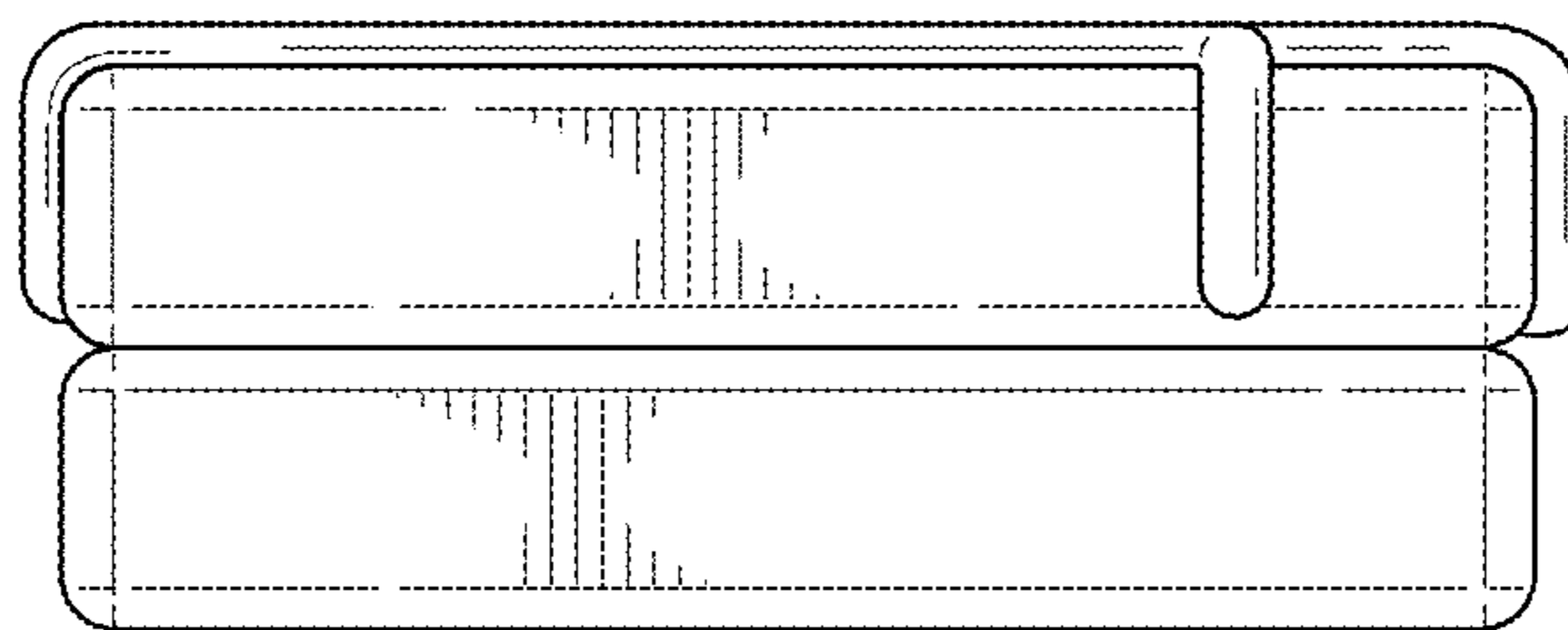


FIG. 5

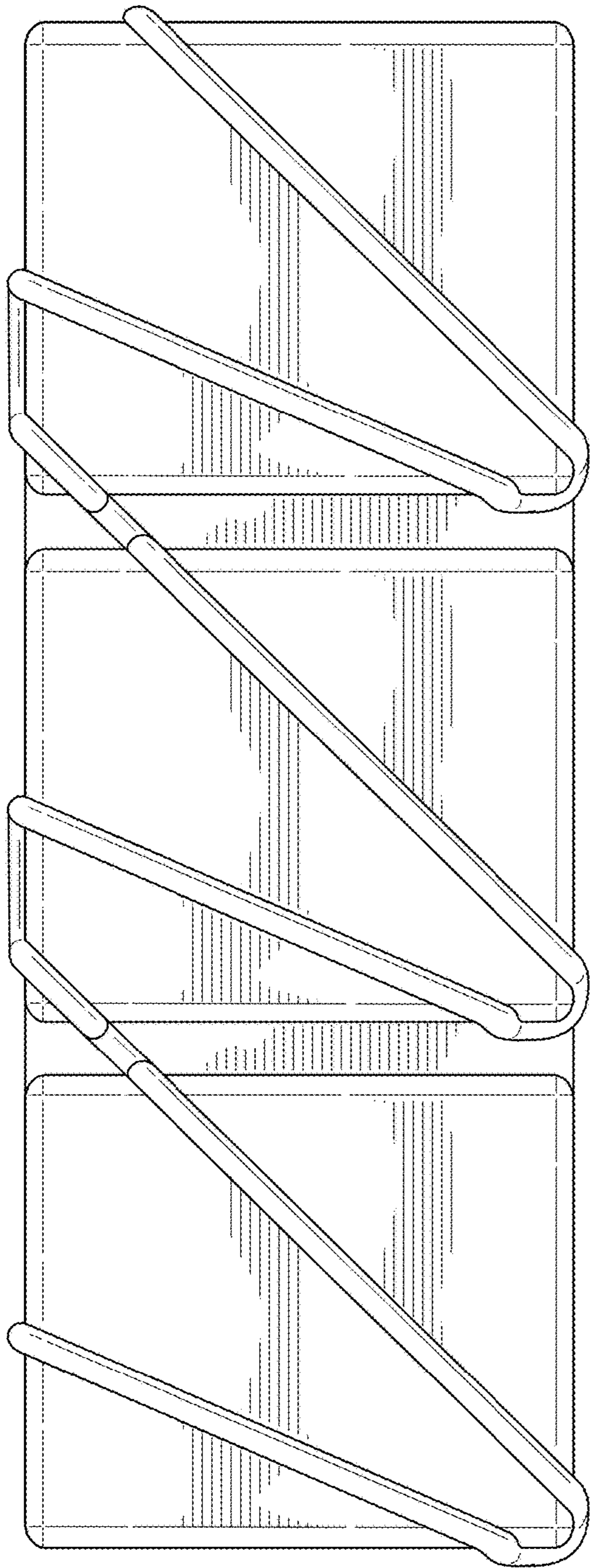


FIG. 6

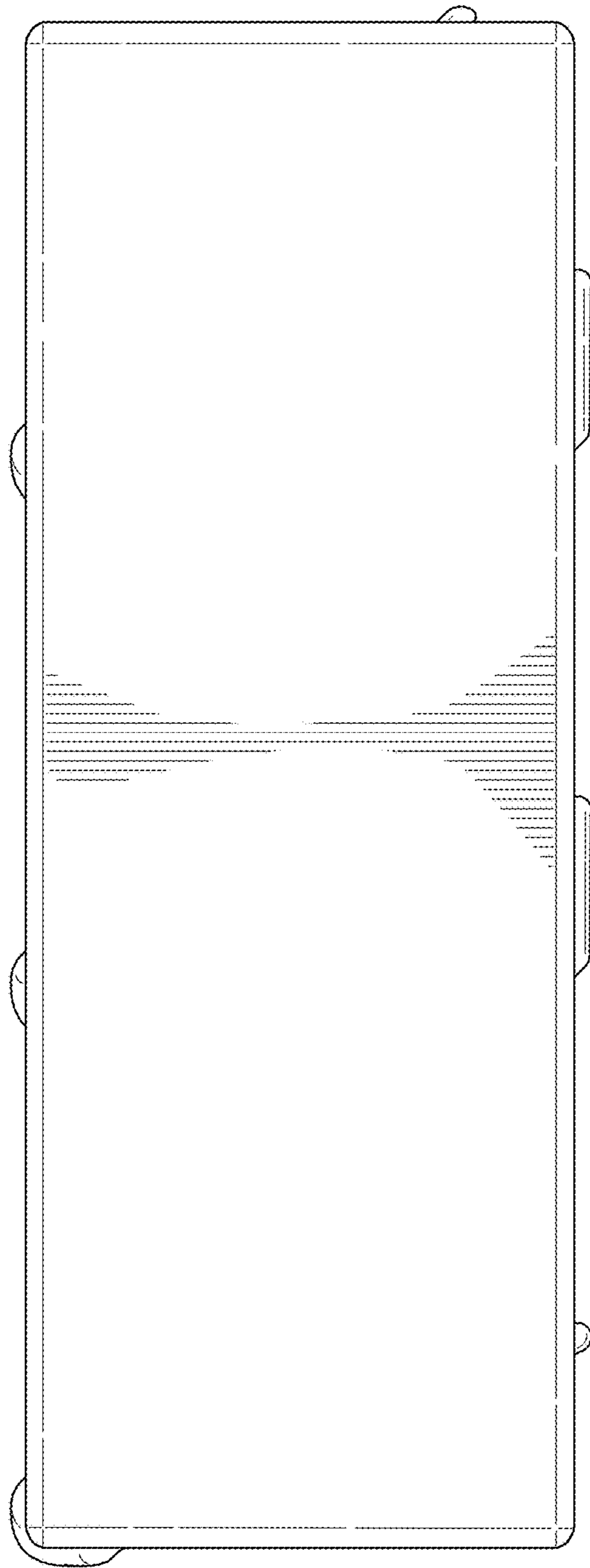


FIG. 7

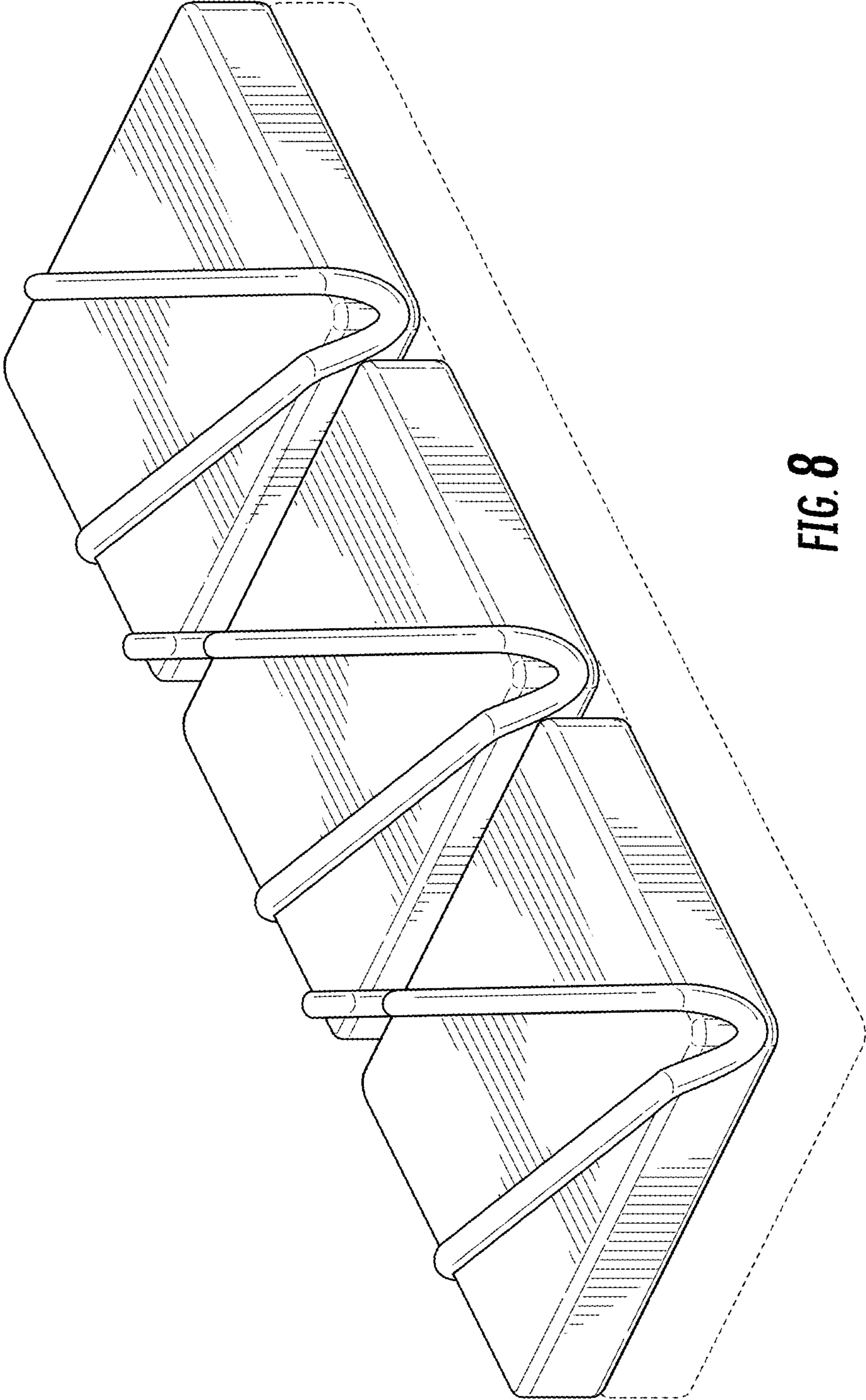


FIG. 8

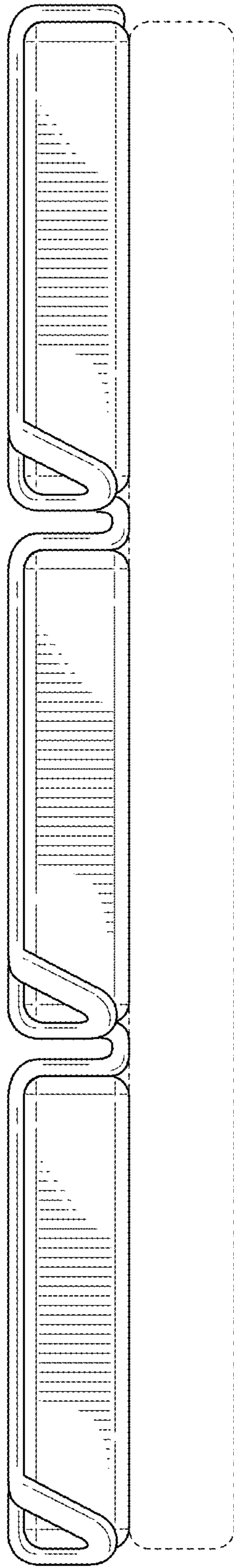


FIG. 9

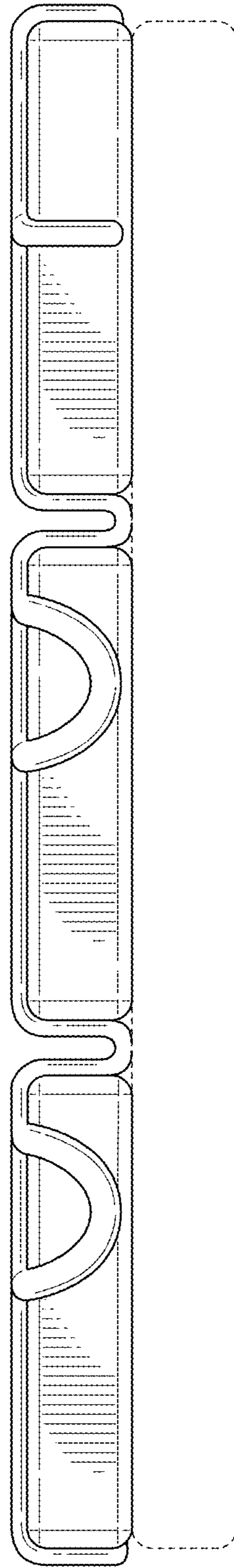


FIG. 10

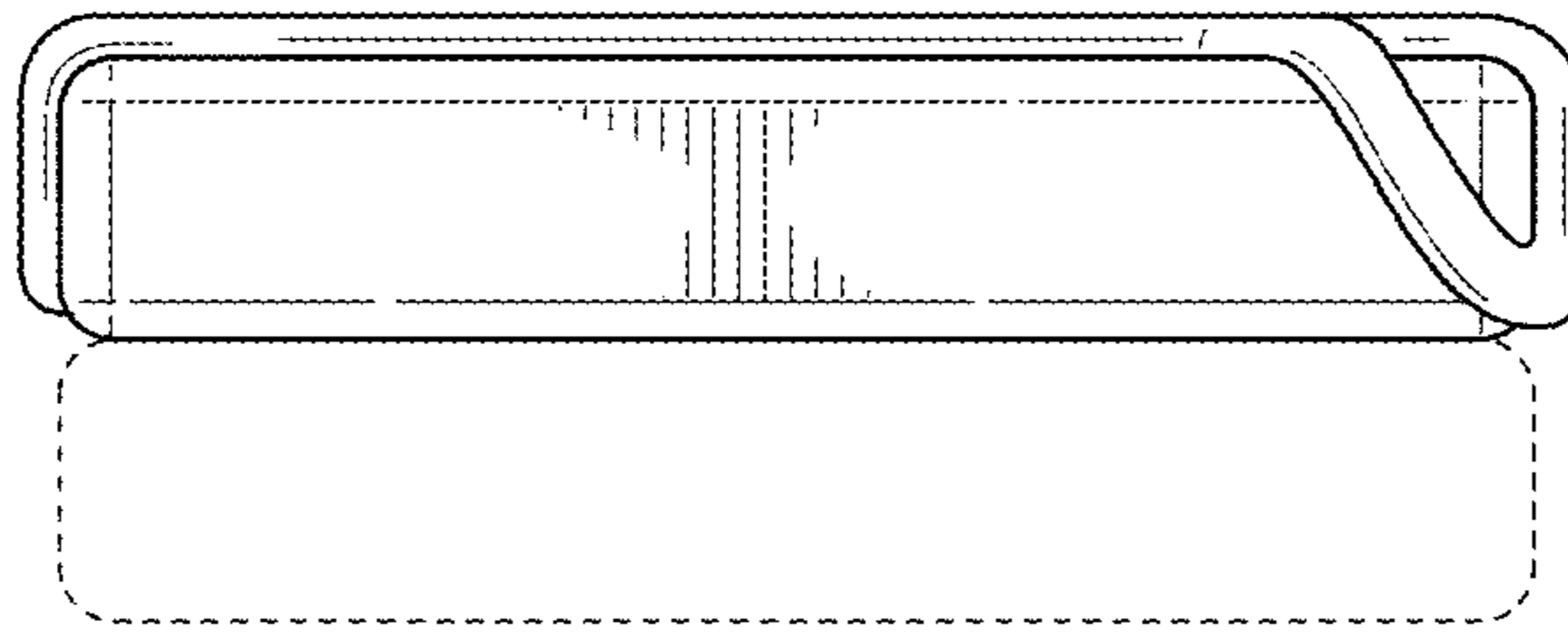


FIG. 11

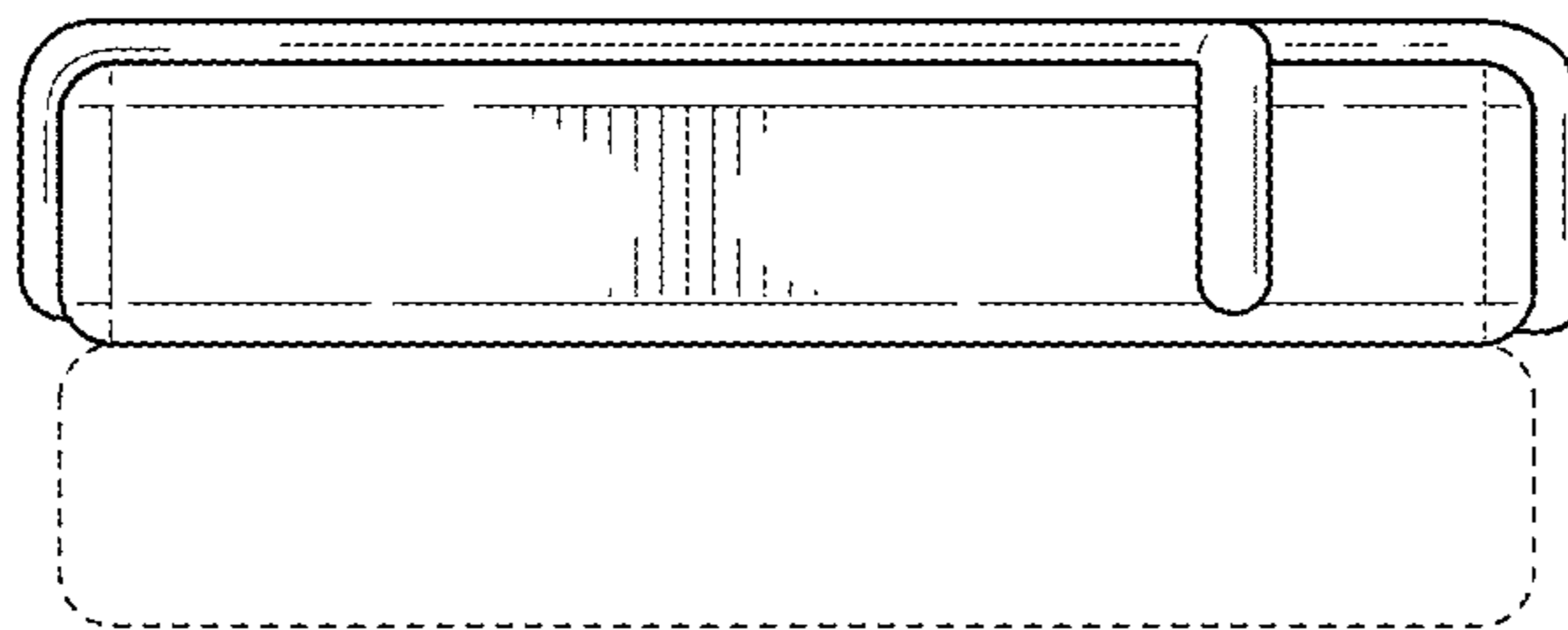


FIG. 12

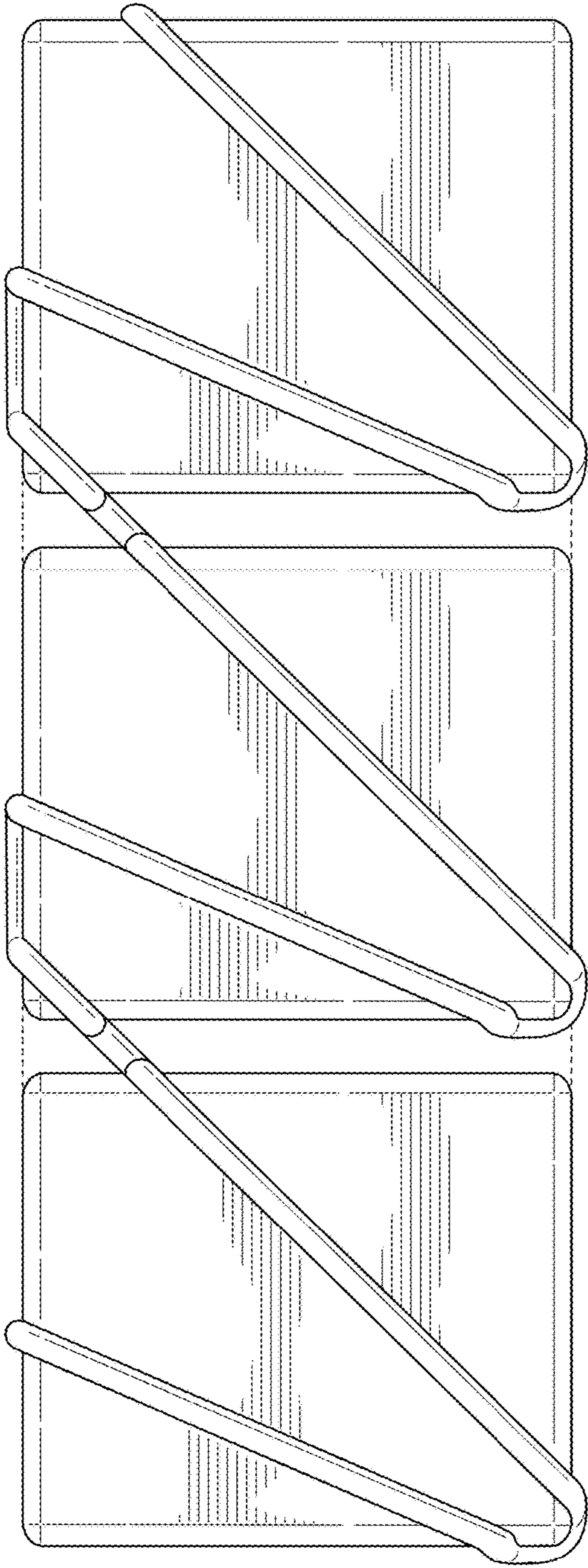


FIG. 13

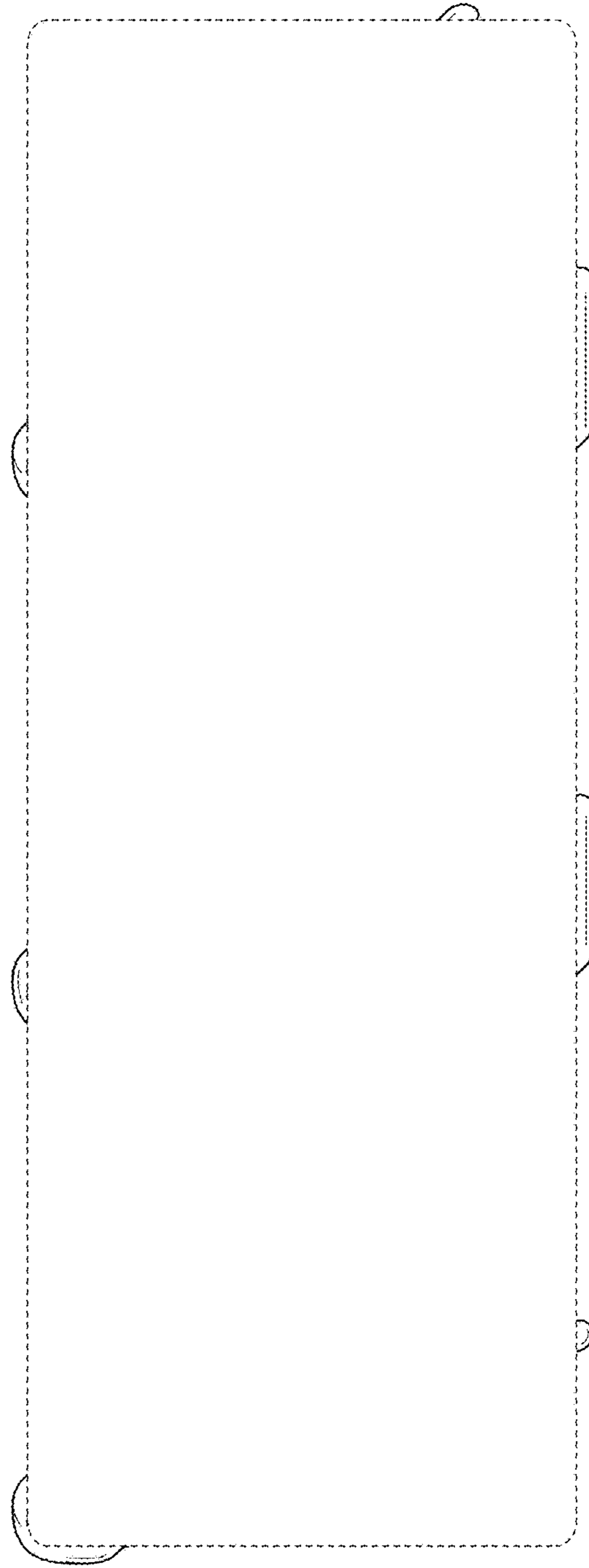


FIG. 14

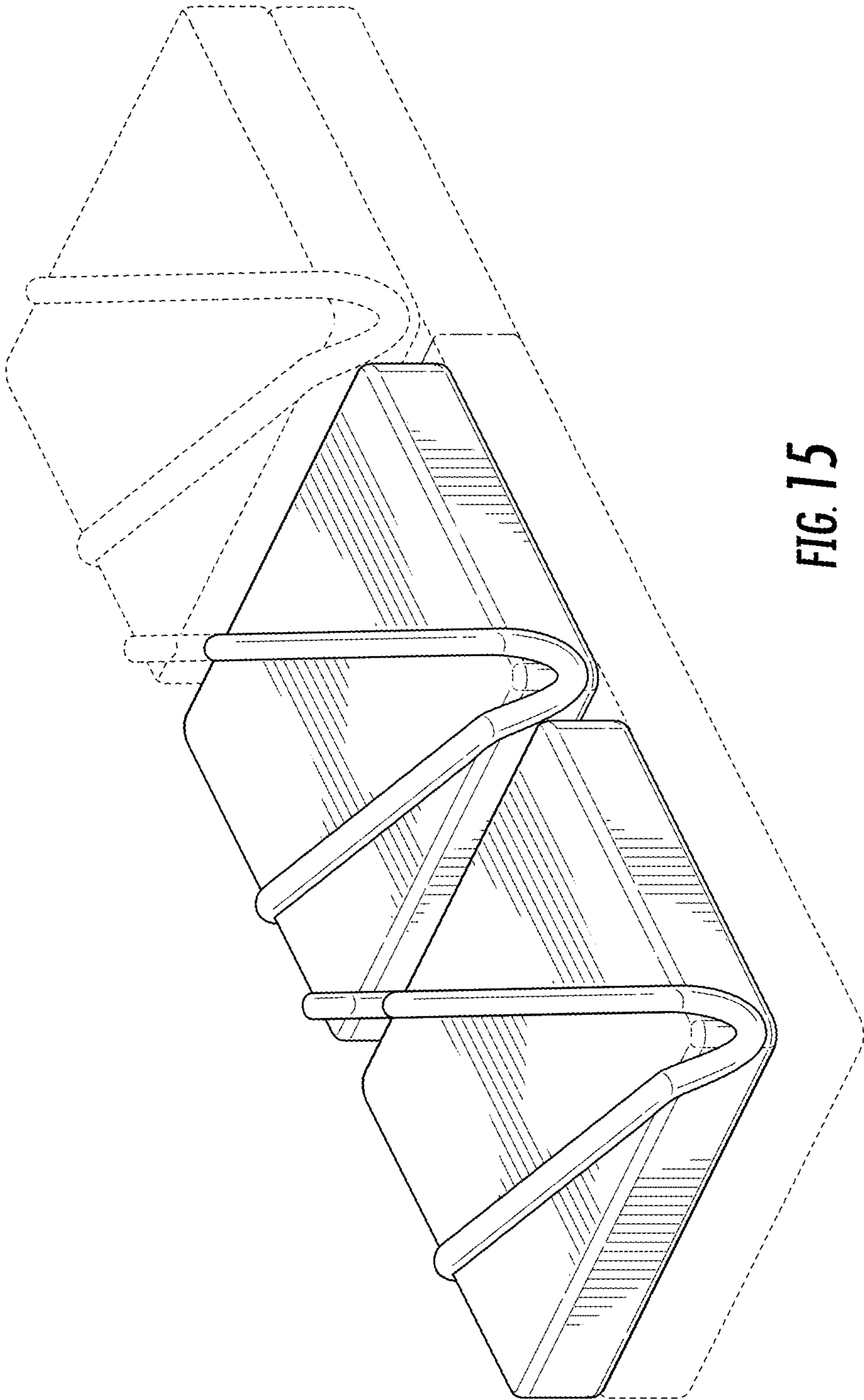


FIG. 15

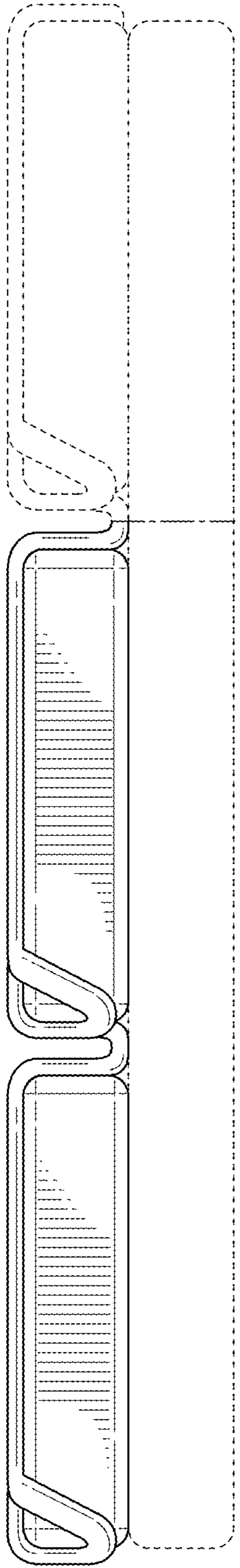


FIG. 16

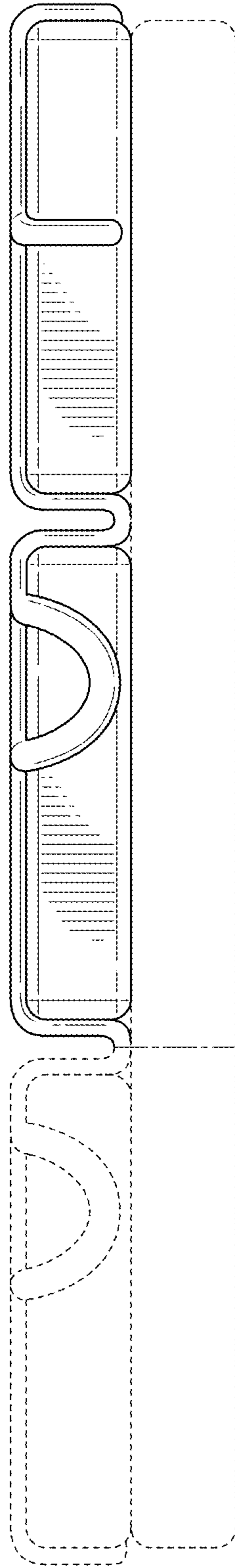


FIG. 17

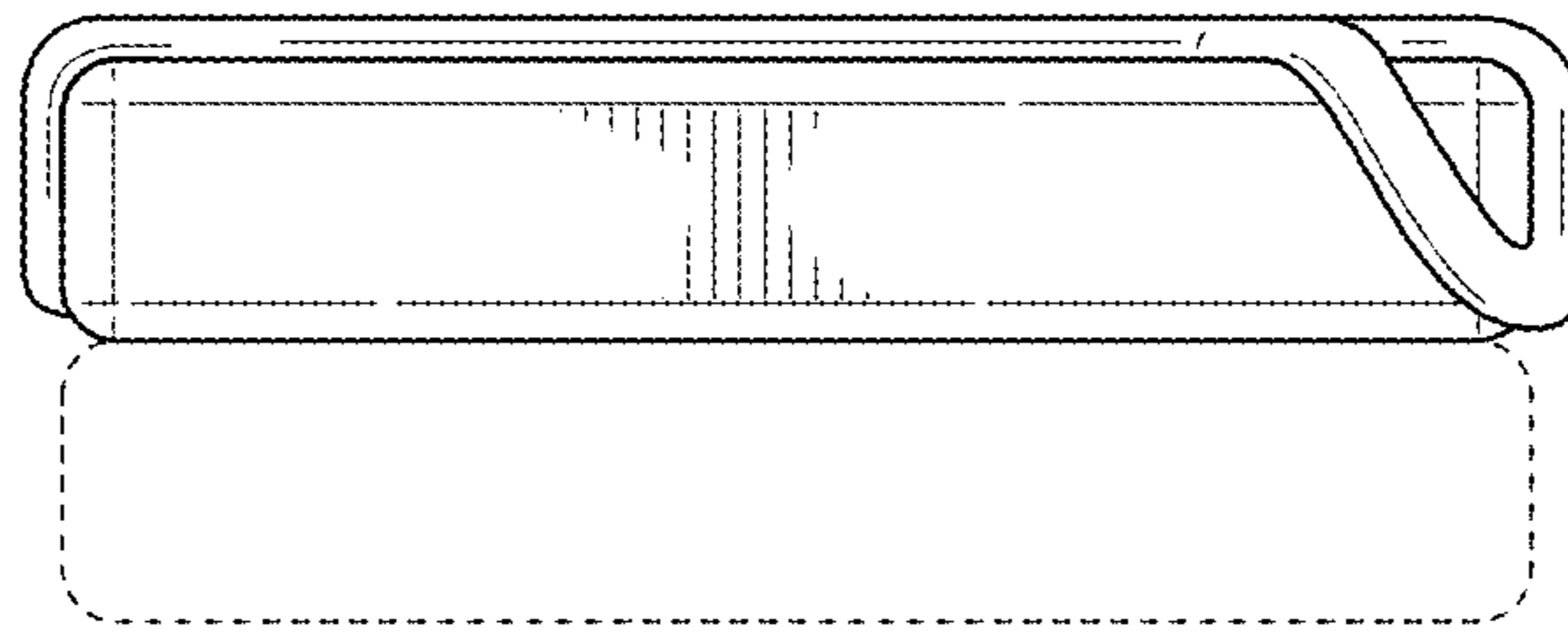


FIG. 18

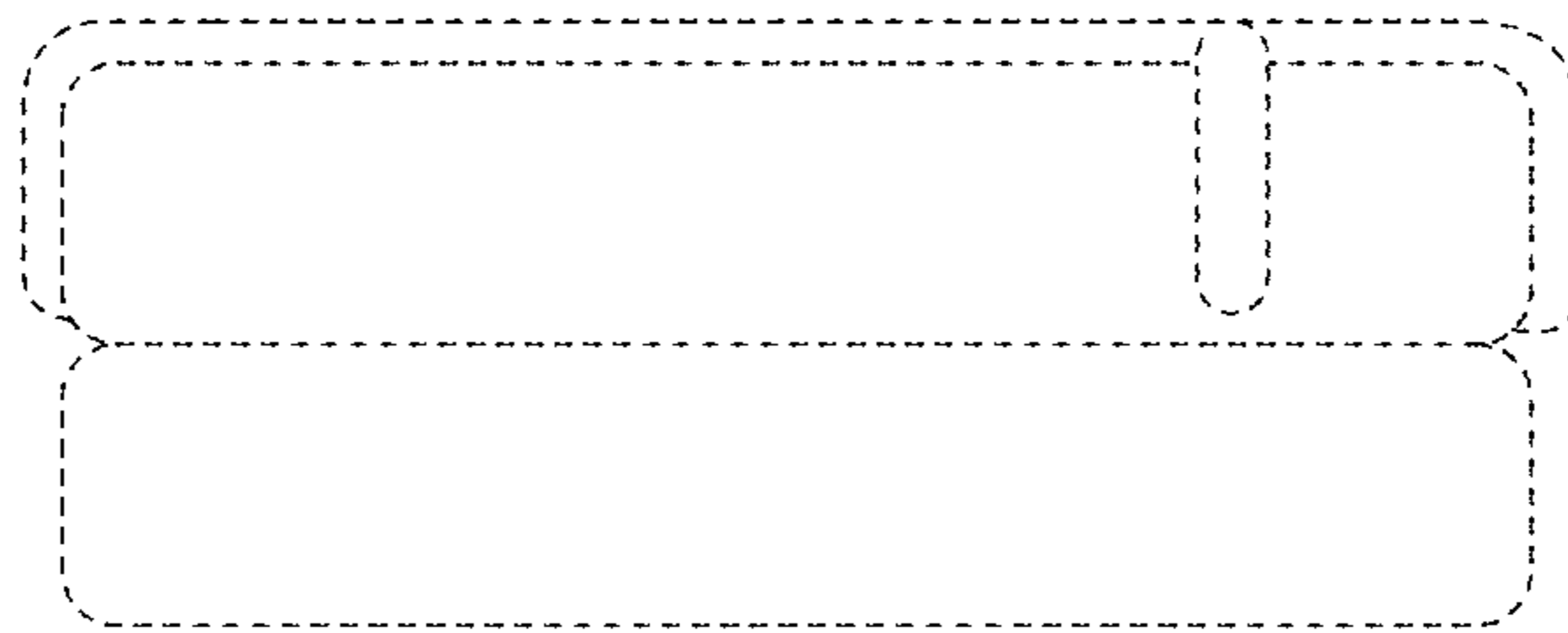


FIG. 19

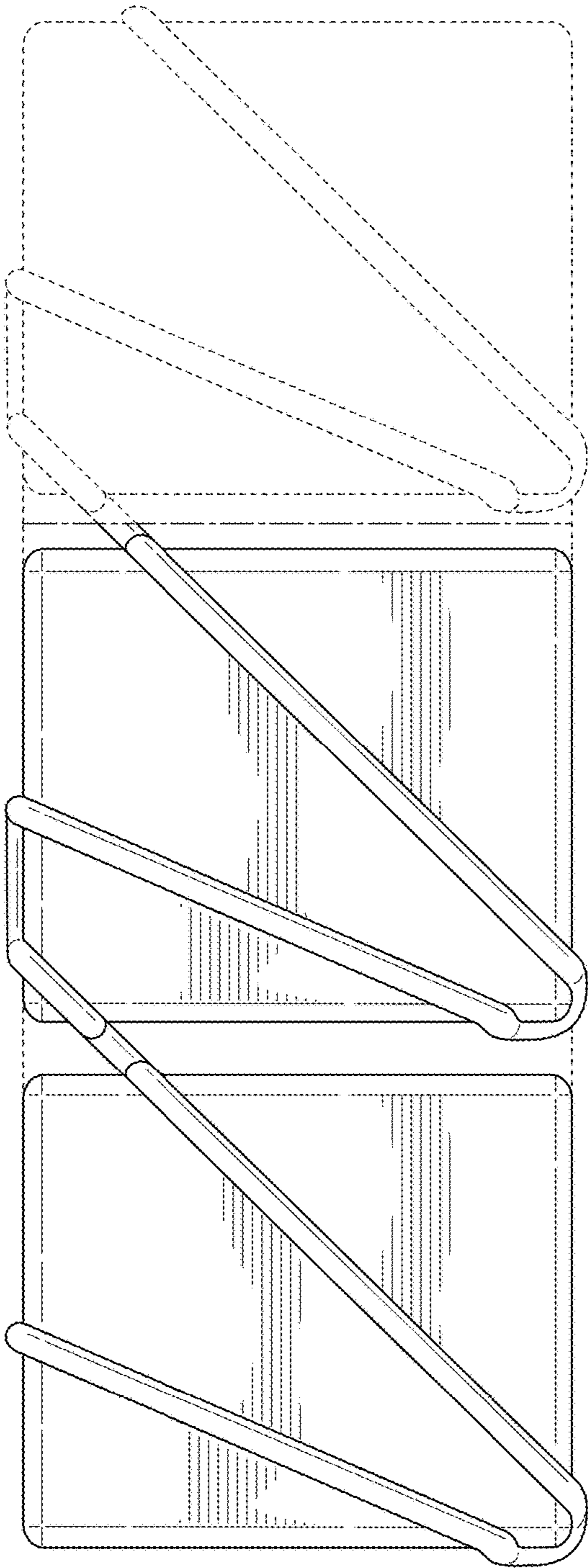


FIG. 20

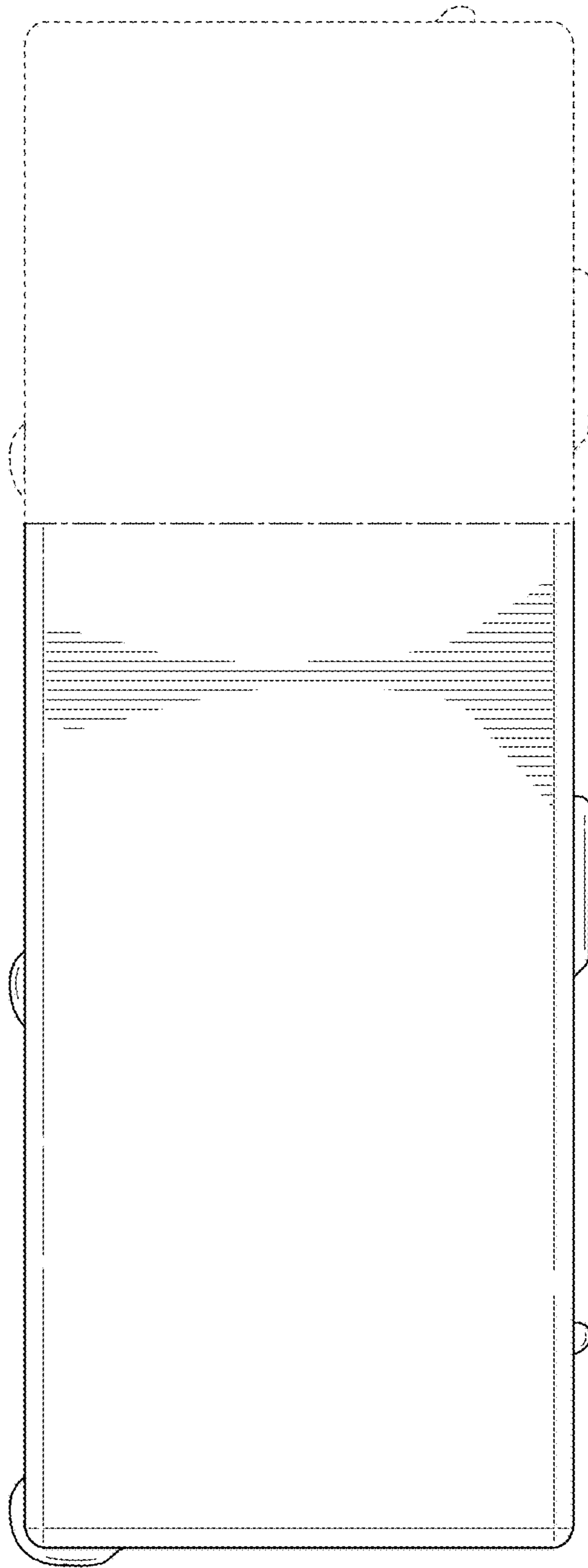


FIG. 21