



US00D822330S

(12) **United States Design Patent** (10) **Patent No.:** **US D822,330 S**
Anderson (45) **Date of Patent:** **** Jul. 10, 2018**

(54) **CONFECTIONARY**
(71) Applicant: **FARM 23 S.L.**, Los Cristianos, Santa Cruz de Tenerife (ES)
(72) Inventor: **Johann Anderson**, Los Cristianos (ES)
(73) Assignee: **FARM 23 SL**, Los Cristianos (ES)
(**) Term: **15 Years**
(21) Appl. No.: **29/574,332**

(22) Filed: **Aug. 15, 2016**
(51) **LOC (11) Cl.** **01-01**
(52) **U.S. Cl.**
USPC **D1/127; D1/130**
(58) **Field of Classification Search**
USPC D1/100-130, 199; 426/5, 76, 87, 92, 94, 426/95, 99, 101, 103, 104, 108, 134, 426/138-139, 143, 144, 279, 282, 283, 426/391, 514, 549, 559, 560, 660, 808; D9/439, 504, 669; D24/130; D6/597, D6/598, 601; D21/727; D17/22; D28/4, D28/7, 76, 85, 89; D27/101, 170; 131/273, 361
CPC A23G 3/54; A61K 9/2072; A61K 9/0004; A61K 9/2095; A61K 9/209
See application file for complete search history.

(56) **References Cited**

U.S. PATENT DOCUMENTS

D373,730 S * 9/1996 Baron D9/504
D404,647 S * 1/1999 Federighi D9/439
D406,921 S * 3/1999 Roeder 401/129
D424,115 S * 5/2000 Kuboshima D19/182
D522,866 S * 6/2006 Bakic D9/521
D591,909 S * 5/2009 Damkjaer D28/76
7,766,019 B2 * 8/2010 Luzenberg, Jr. A24F 47/002
131/270
D653,390 S * 1/2012 Kaljura D27/101

D663,483 S * 7/2012 Lee D28/76
D691,889 S * 10/2013 Mettler D9/454
D692,613 S * 10/2013 Morreale D27/170
D757,352 S * 5/2016 Bagai D27/101
D773,729 S * 12/2016 Jordan D27/194
D782,728 S * 3/2017 Pinder D27/101
D785,871 S * 5/2017 Staab D28/89
2008/0050169 A1 * 2/2008 Nasu A45D 40/04
401/68
2008/0202542 A1 * 8/2008 Hampl A24D 1/025
131/365
2009/0165808 A1 * 7/2009 Melahropoulos A24F 47/002
131/273
2016/0204637 A1 * 7/2016 Alarcon A24F 47/008
320/114

OTHER PUBLICATIONS

“Swingin’ Gold New Years Party Horns.” Bulk Party Supplies. Dec. 9, 2014. Web. Jun. 19, 2017. <<https://www.bulkpartysupplies.com/store/p/44419-Swingin-Gold-New-Years-Party-Horns-qty-of-100.html>>.*

* cited by examiner

Primary Examiner — Katie Jane Stofko
(74) *Attorney, Agent, or Firm* — Agris & Von Natzmer, LLP; Joyce Von Natzmer

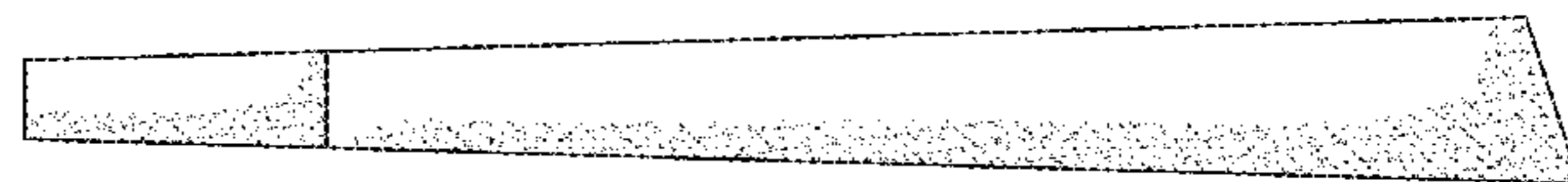
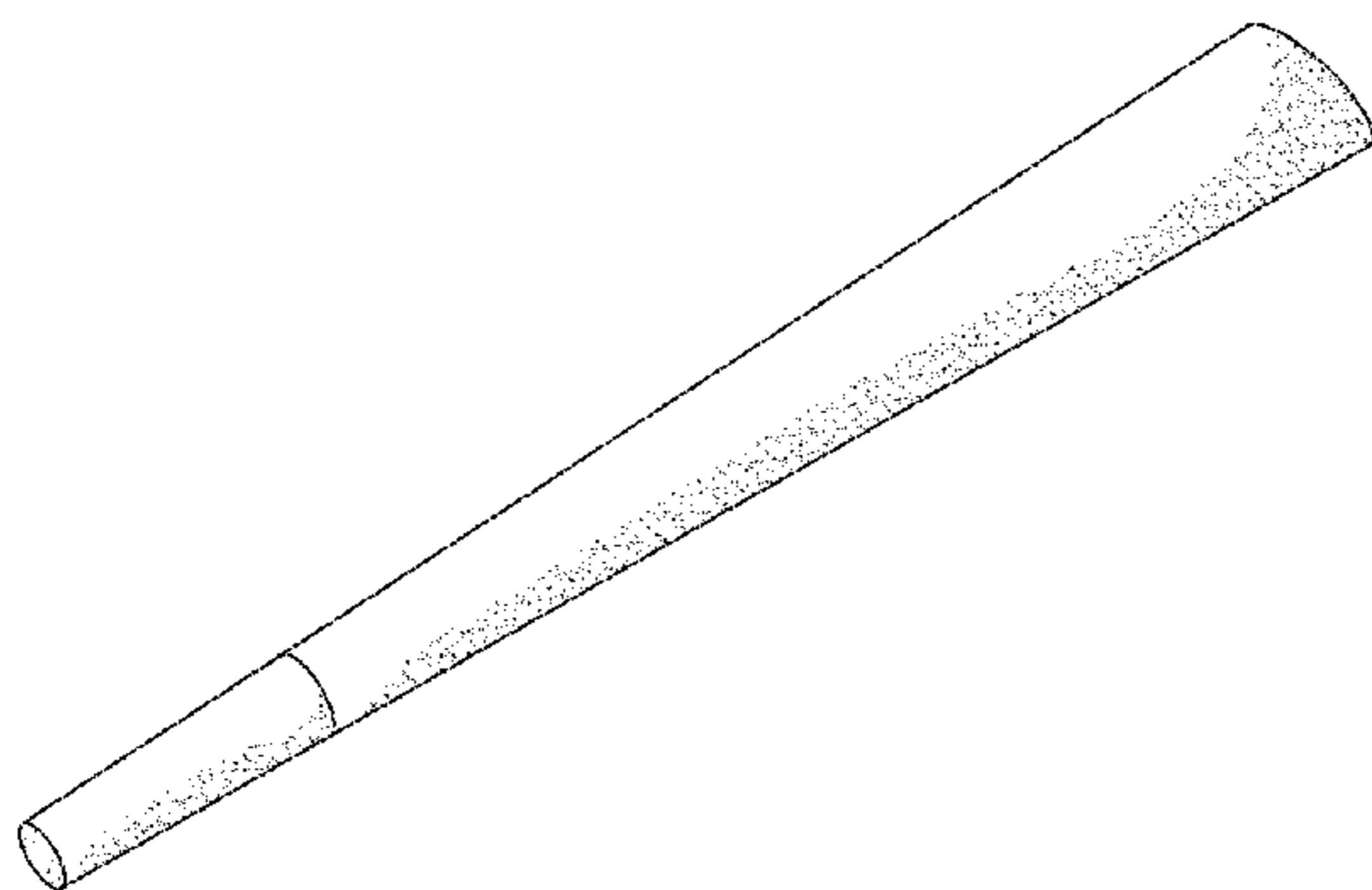
(57) **CLAIM**

I claim the ornamental design for a confectionary, as shown and described.

DESCRIPTION

FIG. 1 is a side perspective view of a confectionary showing my new design;
FIG. 2 is a side view thereof;
FIG. 3 is a top view thereof;
FIG. 4 is a bottom view thereof;
FIG. 5 is a front view thereof; and,
FIG. 6 is a back view thereof.

1 Claim, 2 Drawing Sheets



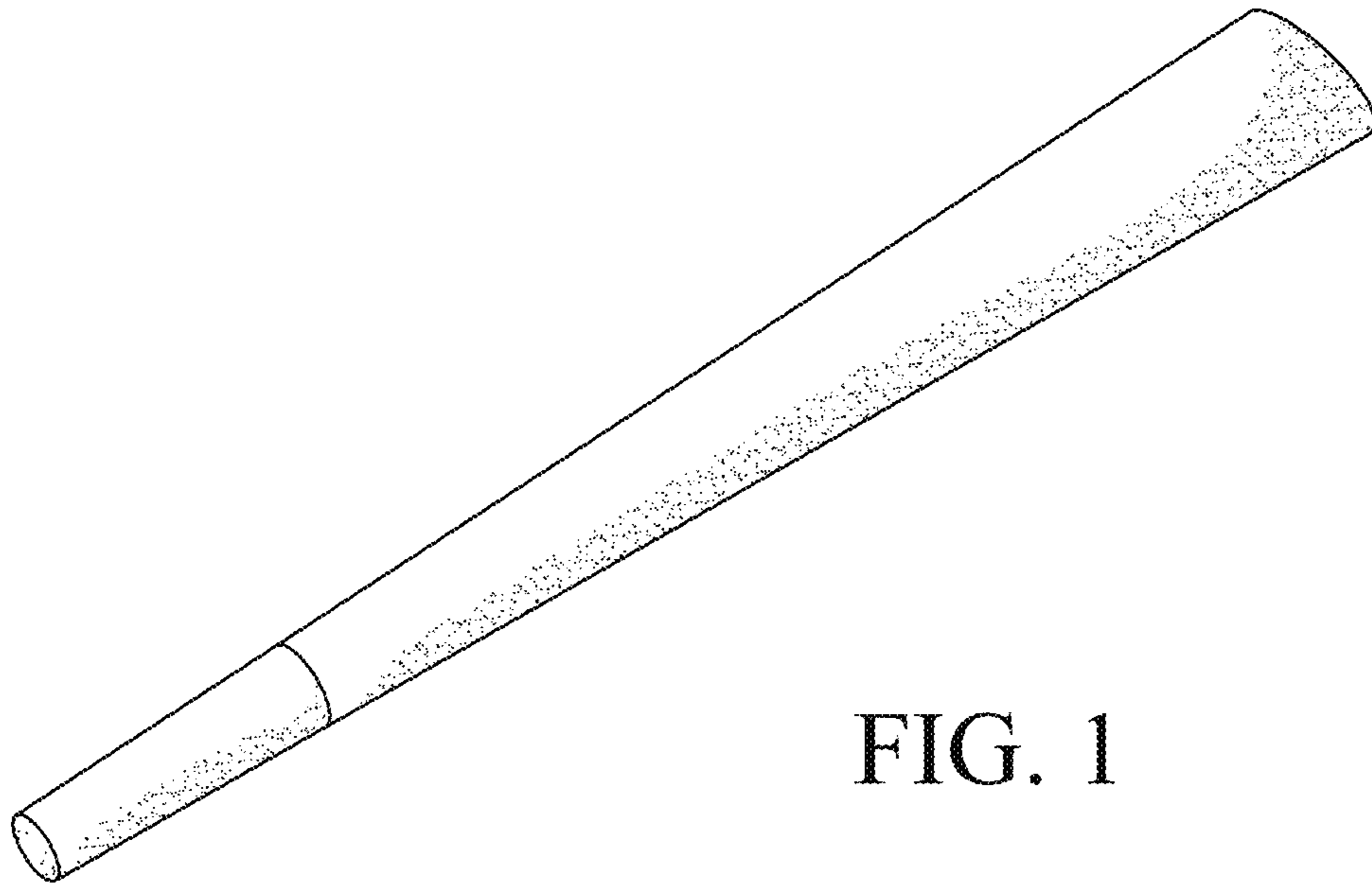


FIG. 1

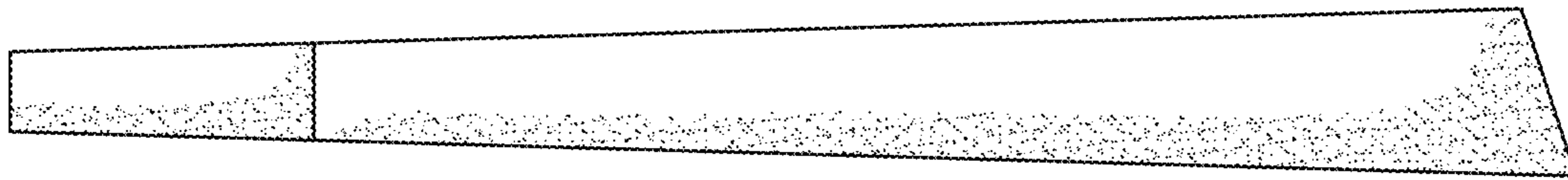


FIG. 2

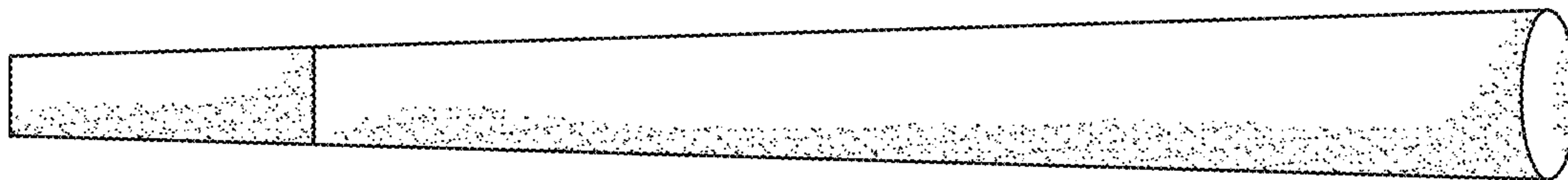


FIG. 3

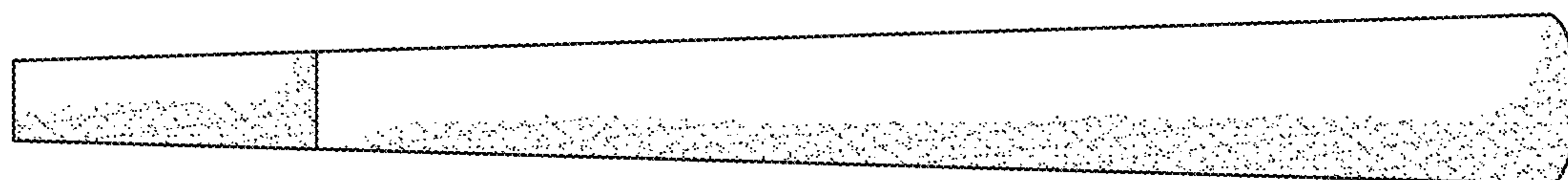


FIG. 4

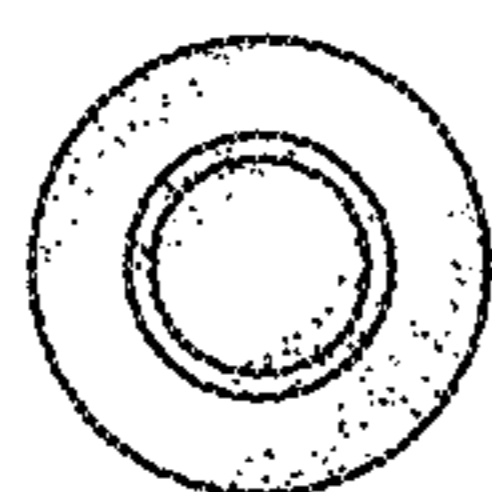


FIG. 5

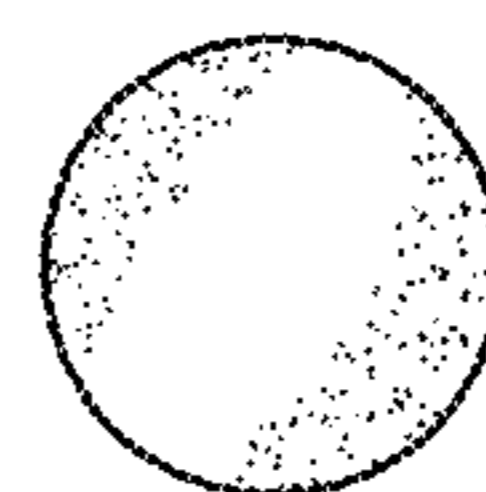


FIG. 6