



US00D822329S

(12) **United States Design Patent** (10) **Patent No.:** **US D822,329 S**
Colquhoun et al. (45) **Date of Patent:** **** Jul. 10, 2018**

(54) **CONFECTIONERY BAR**

CPC . A23G 3/54; A23G 4/20; A23G 3/343; A23G 3/36; A23G 3/28; A61K 9/2072; A61K 9/2095

(71) Applicant: **Mars, Incorporated**, McLean, VA (US)

See application file for complete search history.

(72) Inventors: **Duncan Colquhoun**, Bath (GB); **Timothy Moore**, Slough (GB); **Carsten Astheimer**, Ambleside (DE); **Sam Tarratt**, Slough (GB); **Gemma Cudjoe**, Slough (GB); **Matt Wright**, Bath (GB)

(56) **References Cited**

U.S. PATENT DOCUMENTS

(73) Assignee: **MARS, INCORPORATED**, McLean, VA (US)

(**) Term: **14 Years**

(21) Appl. No.: **29/525,455**

(22) Filed: **Apr. 29, 2015**

(30) **Foreign Application Priority Data**

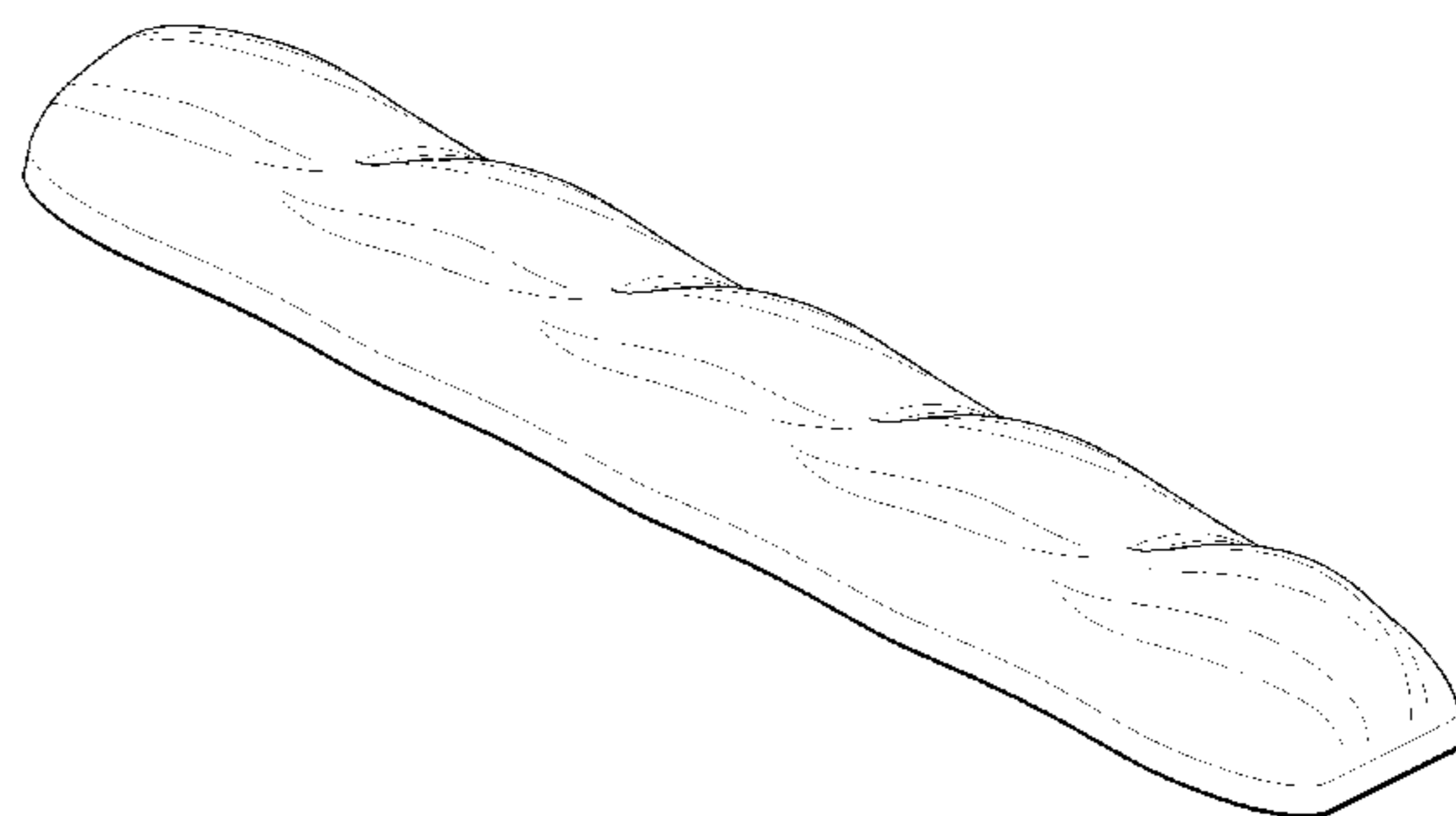
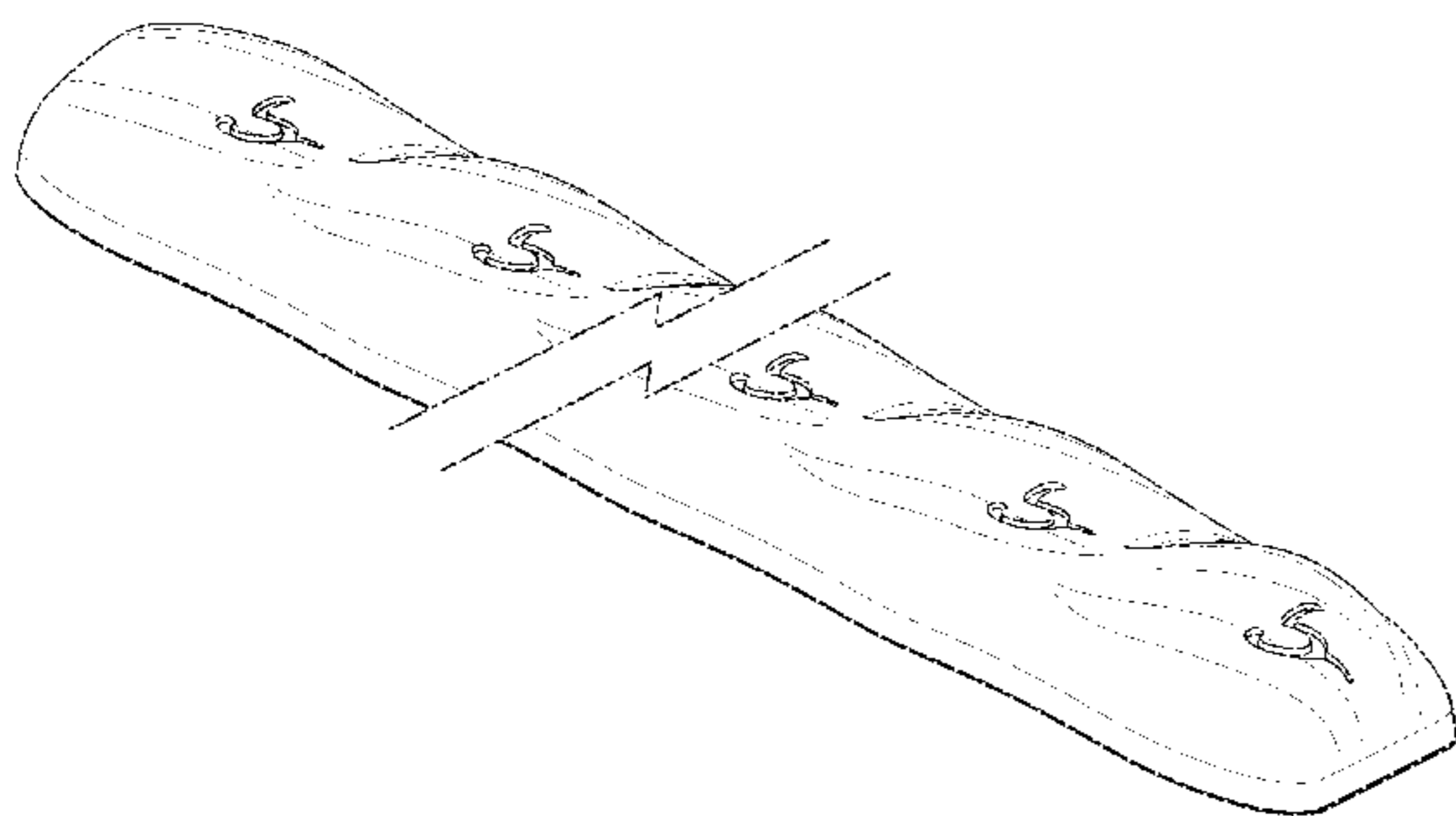
Oct. 31, 2014	(EM)	002569525-0001
Oct. 31, 2014	(EM)	002569525-0002
Oct. 31, 2014	(EM)	002569525-0003
Oct. 31, 2014	(EM)	002569525-0004
Oct. 31, 2014	(EM)	002569525-0005
Oct. 31, 2014	(EM)	002569525-0006
Oct. 31, 2014	(EM)	002569525-0007
Oct. 31, 2014	(EM)	002569525-0008
Oct. 31, 2014	(EM)	002569525-0009
Oct. 31, 2014	(EM)	002569525-0010
Oct. 31, 2014	(EM)	002569525-0011
Oct. 31, 2014	(EM)	002569525-0012

(51) **LOC (11) Cl.** **01-01**

(52) **U.S. Cl.**
USPC **D1/127**

(58) **Field of Classification Search**
USPC D1/100-130, 199; 426/5, 104, 249, 275, 426/660; D24/101-104; 273/429; D9/707; D28/8.1; D14/433; D7/354, D7/359, 391, 672; D15/90; D23/366; D25/138

D98,858 S	3/1936	Gager	
2,132,144 A	10/1938	Blum	
2,134,026 A	10/1938	Brooks	
2,246,770 A	6/1941	Wessel	
3,764,715 A	10/1973	Henthorn et al.	
D231,417 S	4/1974	Maiola	
4,229,484 A	10/1980	Steels et al.	
4,430,351 A	2/1984	Cillario	
4,618,499 A	10/1986	Wainwright	
4,963,379 A	10/1990	Ferrero	
5,042,666 A	8/1991	Dolenc	
D391,736 S	3/1998	Oelke	
D391,737 S *	3/1998	Wright	D1/125
5,789,008 A	8/1998	Monte	
D429,866 S	8/2000	Zhang et al.	
6,231,899 B1	5/2001	Rosso	
6,503,546 B1	1/2003	Ferrari-Philippe et al.	
6,726,944 B2	4/2004	Blaschke et al.	
6,759,079 B2	7/2004	Klug et al.	
D534,331 S	1/2007	Axelrod	
D556,427 S *	12/2007	Kaiser	D1/127
D561,426 S	2/2008	Eitler et al.	
D575,477 S	8/2008	Eitler et al.	
D589,676 S *	4/2009	Wilson	D1/125
D592,376 S *	5/2009	Wilson	D1/127
D592,377 S *	5/2009	Lee	D1/127
D594,181 S *	6/2009	Wilson	D1/127
D600,877 S *	9/2009	Marckx	D1/121
D604,929 S *	12/2009	Hartmann	D1/127
D613,029 S *	4/2010	Krumholz	D1/127
D641,126 S *	7/2011	Marckx	D1/121
D659,946 S	5/2012	Fujioka	
D683,518 S *	6/2013	Milanese	D1/127
8,485,728 B2	7/2013	Bowers et al.	
D695,857 S *	12/2013	Sterios	D21/686
D697,689 S	1/2014	Krumholz	
D715,020 S *	10/2014	Moore	D1/121
D750,341 S	3/2016	Baker et al.	
2003/0044487 A1	3/2003	Waszyk et al.	
2004/0091582 A1	5/2004	Buriani et al.	
2004/0115328 A1	6/2004	Martin	
2007/0122527 A1	5/2007	Janus	
2008/0050484 A1	2/2008	Kijowski et al.	



2010/0142864 A1 6/2010 Czarny
 2014/0287106 A1 9/2014 Labrousse Molla et al.
 2015/0320072 A1 11/2015 Bufton et al.

FOREIGN PATENT DOCUMENTS

BE	1009616	A6	6/1997
BE	1009620	A6	6/1997
CH	688788	A5	3/1998
CN	1078110	A	11/1993
DE	202012001026	U1	3/2012
EP	1078110	A2	2/1986
EP	0957043	A1	11/1999
EP	1994833	A1	11/2008
EP	2620056	A1	7/2013
GB	465242		5/1937
GB	1600551		10/1981
GB	2432773	A	6/2007
WO	9940800	A1	8/1990
WO	2012055925	A2	5/2012

OTHER PUBLICATIONS

“A History of Historical Stories”, Pearson Candy Company, Feb. 7, 2014, Retrieved from: <http://web.archive.org/web/20140207211713/http://pearsoncandy.com/history>, pp. 1-10.
 “Necco—Sky Bar (USA)”, Snackertainment. Jul. 15, 2009, Retrieved from https://web.archive.org/web/20090715234444/http://snackertainment.com/Necco_SkyBar.html, 1 page.
 Charlene, “Target: Twix Candy Bars \$.21 and Clearance Deals”, My Frugal Adventures, Nov. 7, 2013, Web Jan. 14, 2017 at <http://myfrugaladventures.com/2013/11/target-twix-candy-bars-21-and-clearance-deals>, 9 pages.
 Szczesniak et al., “Development of Standard Rating Scales for Mechanical Parameters of Texture and Correlation Between the Objective and the Sensory Methods of Texture Evaluation”, Journal of Food Science, vol. 28, Issue 4, Jul. 1963, pp. 397-403.

* cited by examiner

Primary Examiner — Katie Jane Stofko
 (74) Attorney, Agent, or Firm — Arent Fox LLP

(57) CLAIM

The ornamental design for a confectionery bar, as shown and described.

DESCRIPTION

FIG. 1 is a top, left perspective view of a first embodiment of a confectionery bar;
 FIG. 2 is a right side elevational view of the confectionery bar of FIG. 1;
 FIG. 3 is a left side elevational view of the confectionery bar of FIG. 1;
 FIG. 4 is a front elevational view of the confectionery bar of FIG. 1;
 FIG. 5 is a rear elevational view of the confectionery bar of FIG. 1;
 FIG. 6 is a top plan view of the confectionery bar of FIG. 1;
 FIG. 7 is a bottom plan view of the confectionery bar of FIG. 1;
 FIG. 8 is a top, left perspective view of a second embodiment of a confectionery bar;
 FIG. 9 is a right side elevational view of the confectionery bar of FIG. 8;
 FIG. 10 is a left side elevational view of the confectionery bar of FIG. 8;

FIG. 11 is a front elevational view of the confectionery bar of FIG. 8;
 FIG. 12 is a rear elevational view of the confectionery bar of FIG. 8;
 FIG. 13 is a top plan view of the confectionery bar of FIG. 8;
 FIG. 14 is a bottom plan view of the confectionery bar of FIG. 8;
 FIG. 15 is a top, left perspective view of a third embodiment of a confectionery bar;
 FIG. 16 is a right side elevational view of the confectionery bar of FIG. 15;
 FIG. 17 is a left side elevational view of the confectionery bar of FIG. 15;
 FIG. 18 is a front elevational view of the confectionery bar of FIG. 15;
 FIG. 19 is a rear elevational view of the confectionery bar of FIG. 15;
 FIG. 20 is a top plan view of the confectionery bar of FIG. 15;
 FIG. 21 is a bottom plan view of the confectionery bar of FIG. 15;
 FIG. 22 is a top, left perspective view of a fourth embodiment of a confectionery bar;
 FIG. 23 is a right side elevational view of the confectionery bar of FIG. 22;
 FIG. 24 is a left side elevational view of the confectionery bar of FIG. 22;
 FIG. 25 is a front elevational view of the confectionery bar of FIG. 22;
 FIG. 26 is a rear elevational view of the confectionery bar of FIG. 22;
 FIG. 27 is a top plan view of the confectionery bar of FIG. 22;
 FIG. 28 is a bottom plan view of the confectionery bar of FIG. 22;
 FIG. 29 is a top, left perspective view of a fifth embodiment of a confectionery bar;
 FIG. 30 is a right side elevational view of the confectionery bar of FIG. 29;
 FIG. 31 is a left side elevational view of the confectionery bar of FIG. 29;
 FIG. 32 is a front elevational view of the confectionery bar of FIG. 29;
 FIG. 33 is a rear elevational view of the confectionery bar of FIG. 29;
 FIG. 34 is a top plan view of the confectionery bar of FIG. 29;
 FIG. 35 is a bottom plan view of the confectionery bar segment of FIG. 29;
 FIG. 36 is a top, left perspective view of a sixth embodiment of a confectionery bar;
 FIG. 37 is a right side elevational view of the confectionery bar of FIG. 36;
 FIG. 38 is a left side elevational view of the confectionery bar of FIG. 36;
 FIG. 39 is a front elevational view of the confectionery bar of FIG. 37;
 FIG. 40 is a rear elevational view of the confectionery bar of FIG. 37;
 FIG. 41 is a top plan view of the confectionery bar of FIG. 37; and,
 FIG. 42 is a bottom plan view of the confectionery bar of FIG. 37.

The break lines shown in the middle portion of the confectionery bar in FIGS. 1-3, 6-7, 15-17, 20-21, 29-31 and 34-35 indicate that the appearance of any portion of the article between the break lines forms no part of the claimed design.

1 Claim, 24 Drawing Sheets

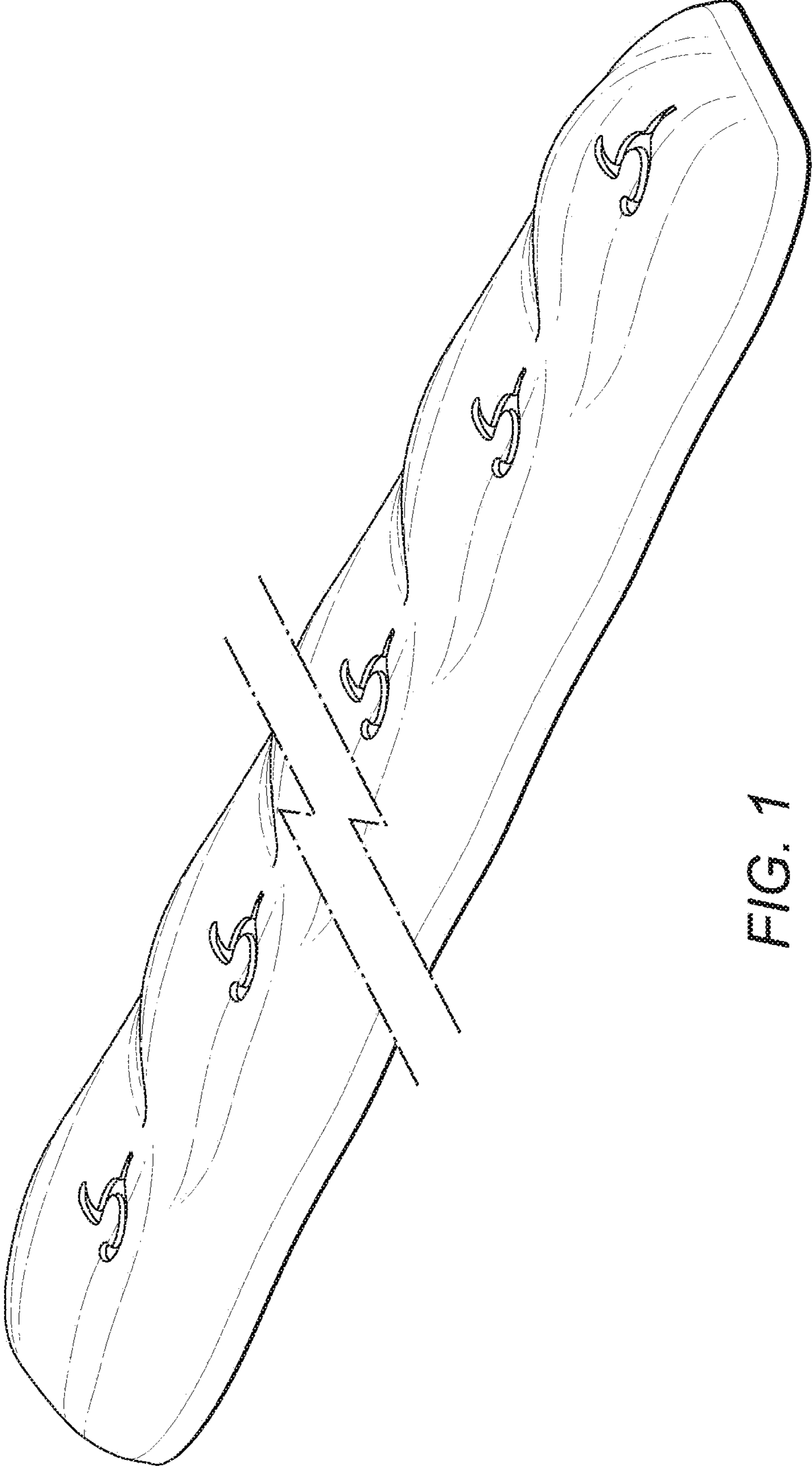


FIG. 1

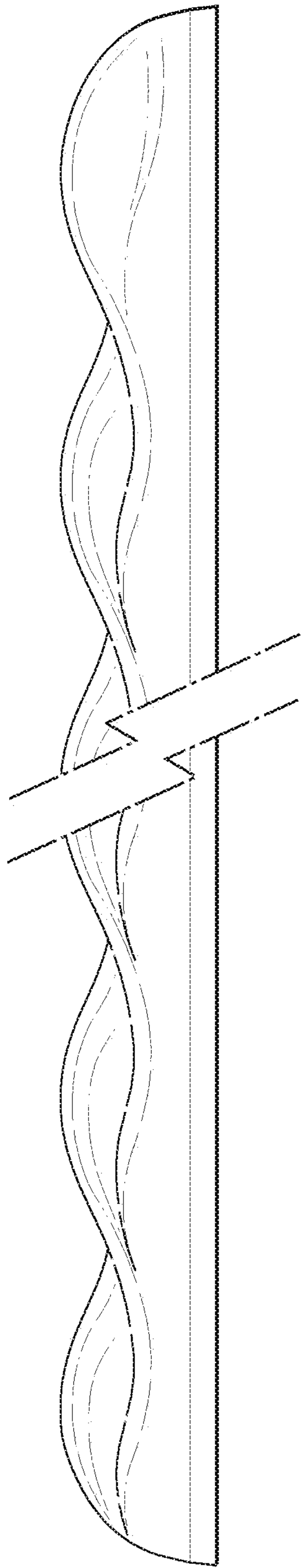


FIG. 2

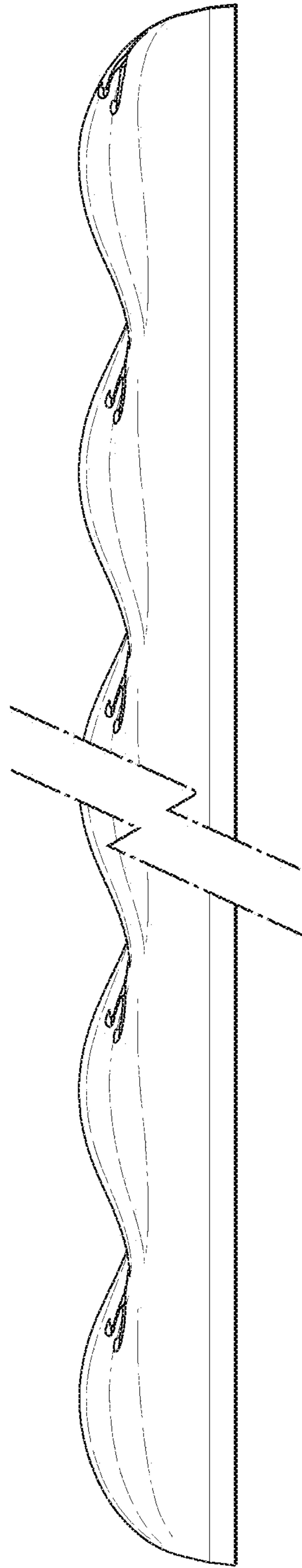


FIG. 3

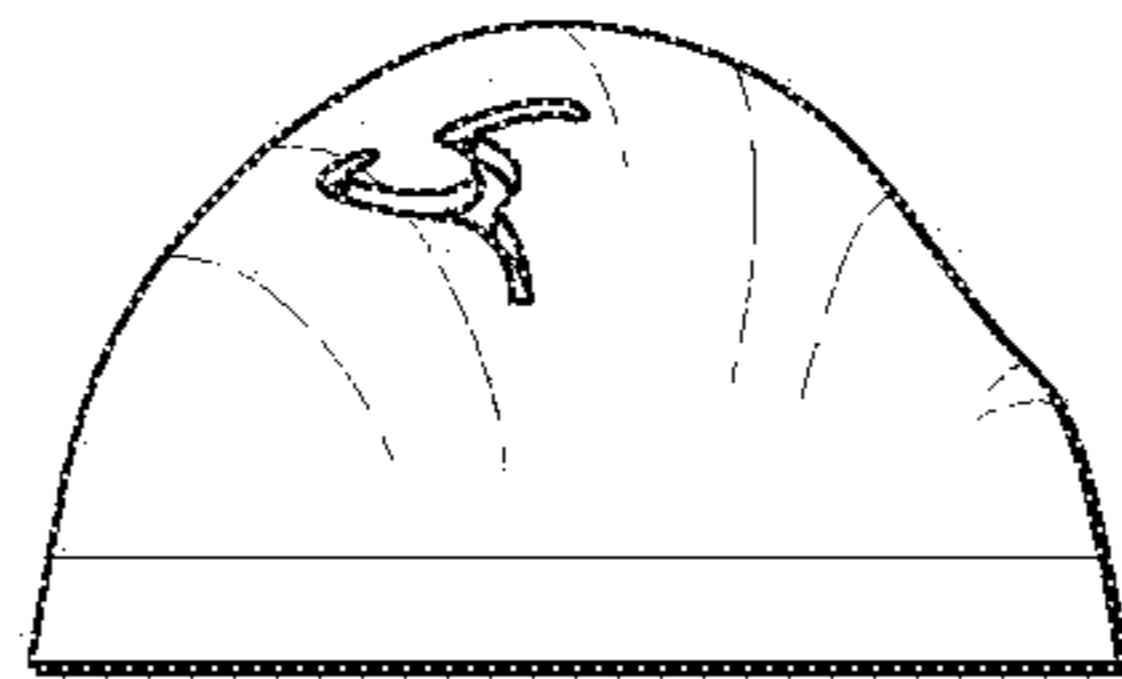


FIG. 4



FIG. 5

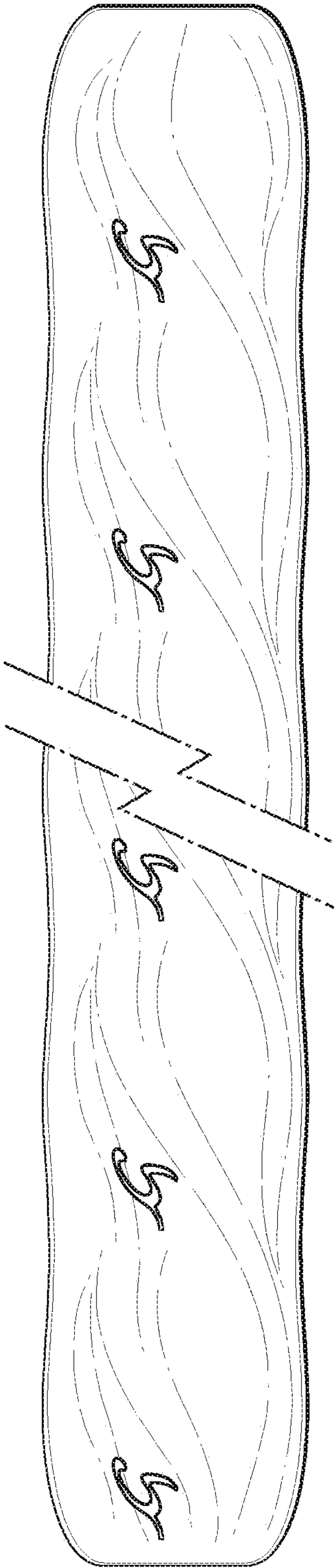


FIG. 6

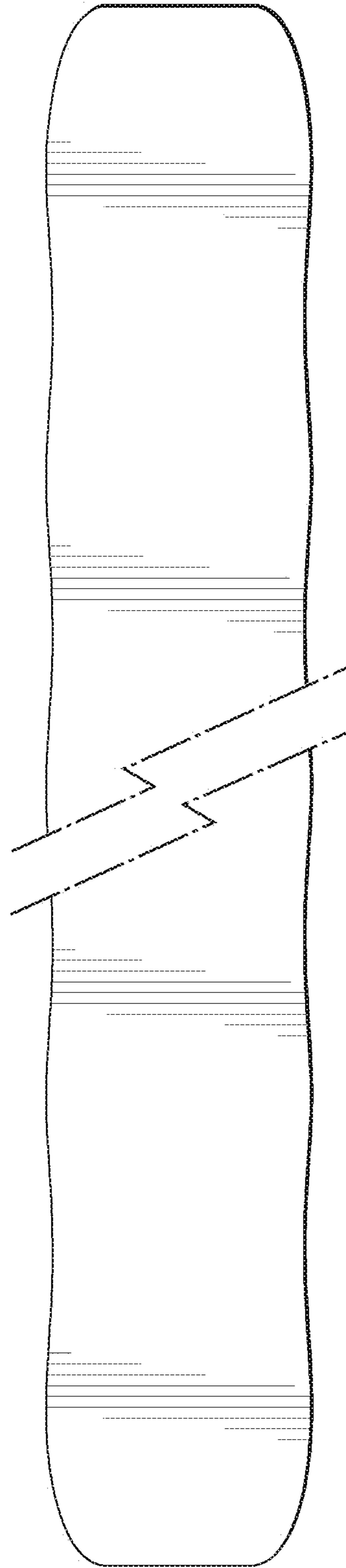


FIG. 7

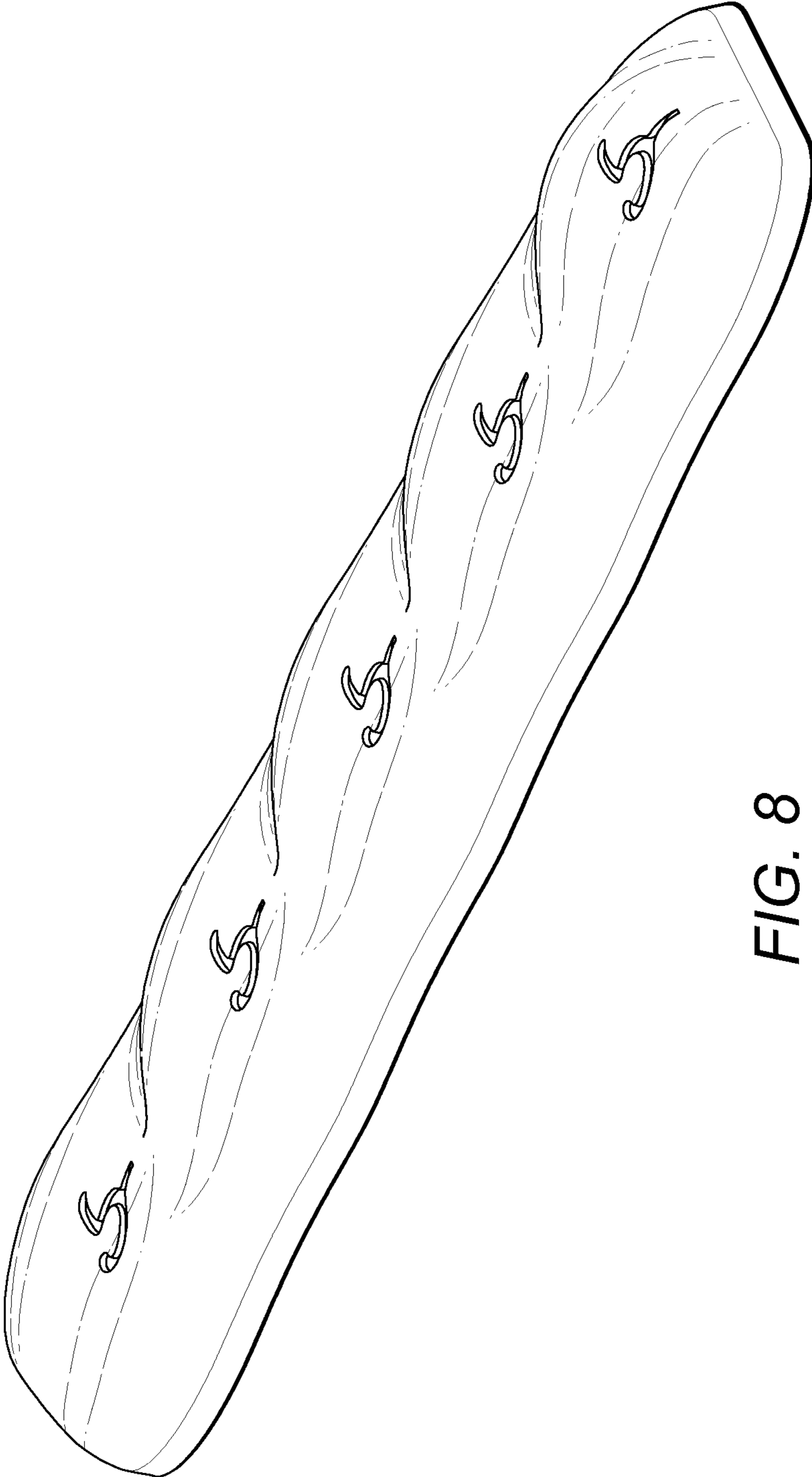


FIG. 8

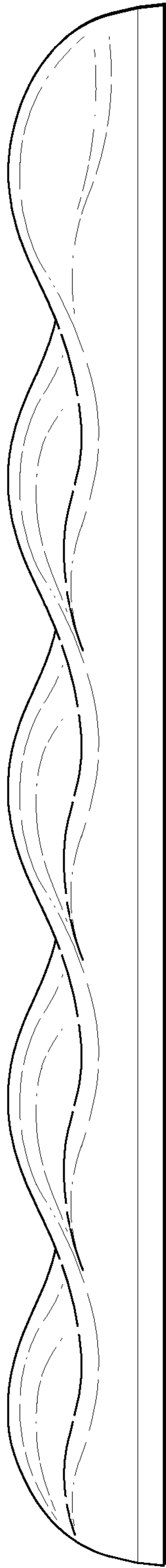


FIG. 9

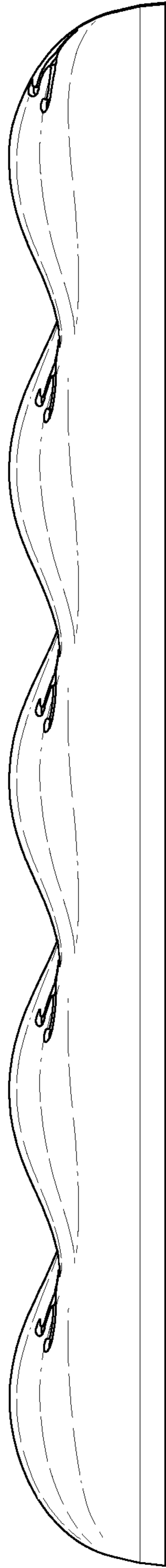


FIG. 10

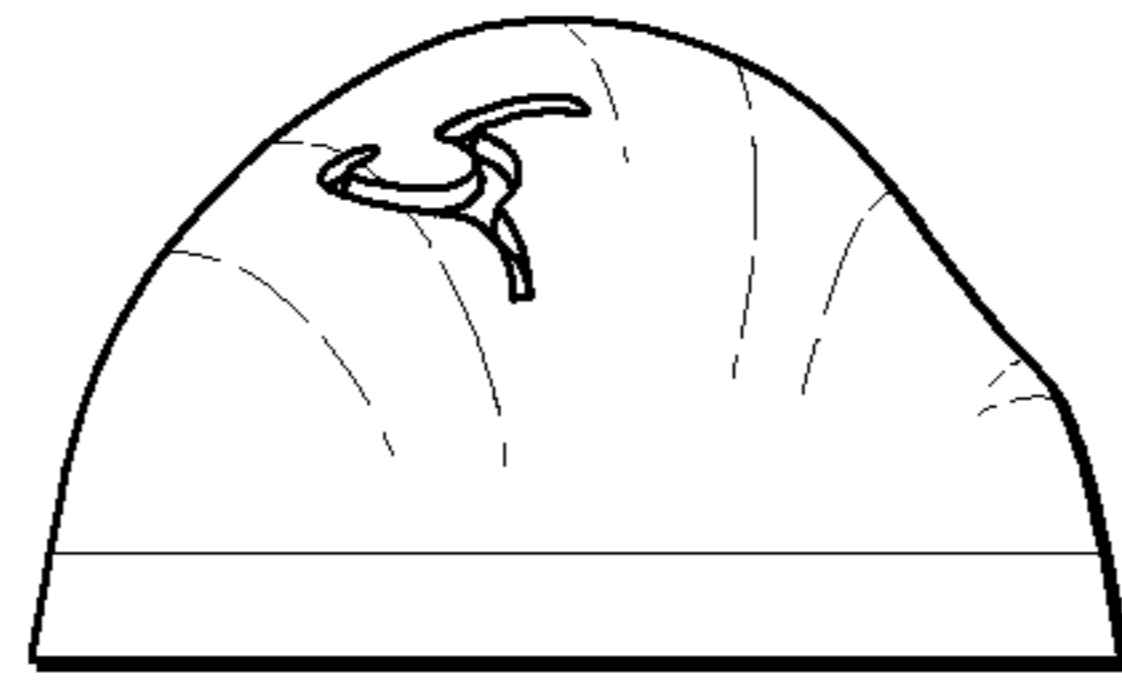


FIG. 11

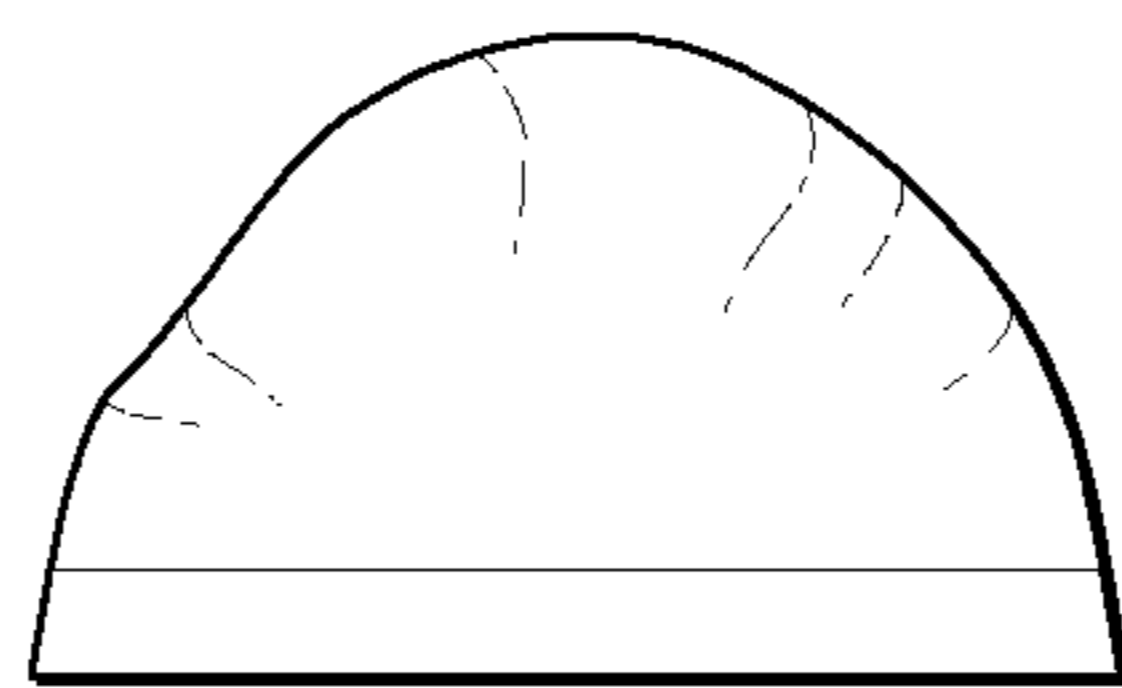


FIG. 12

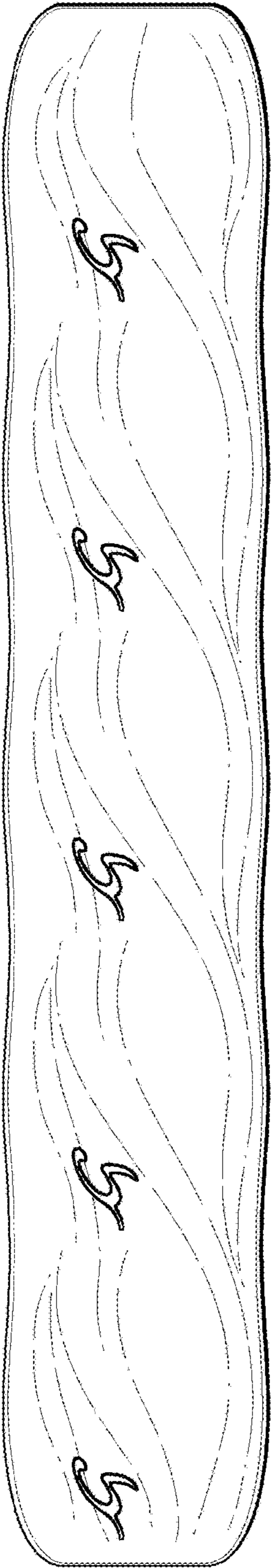


FIG. 13

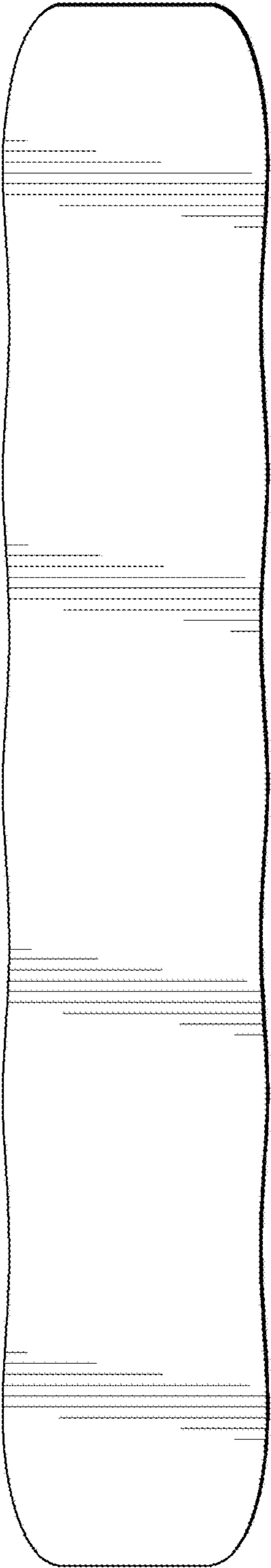


FIG. 14

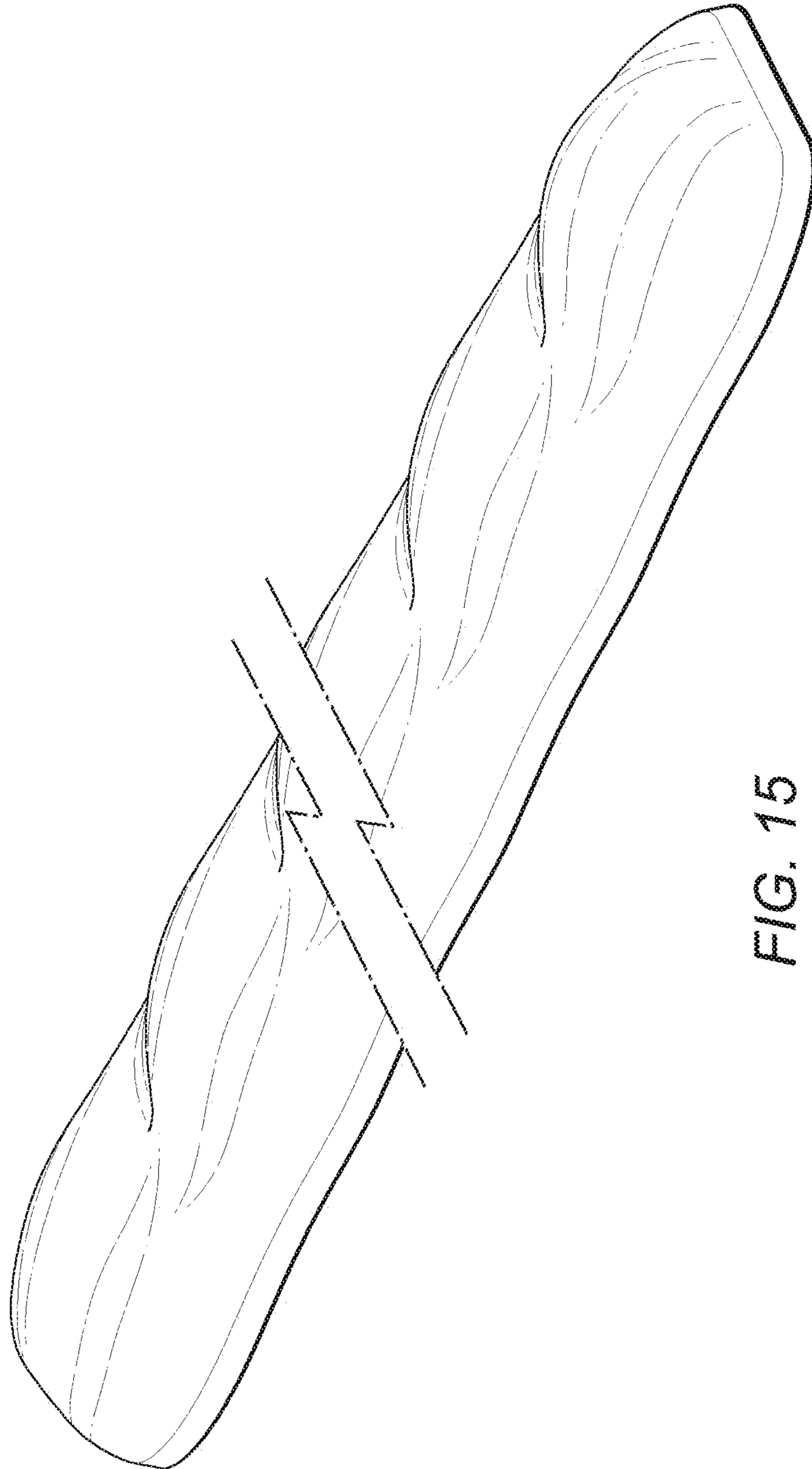


FIG. 15

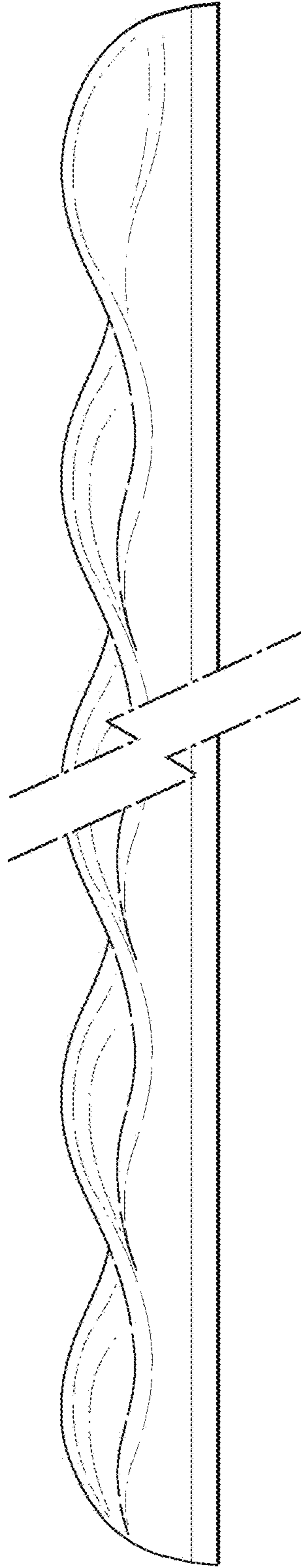


FIG. 16

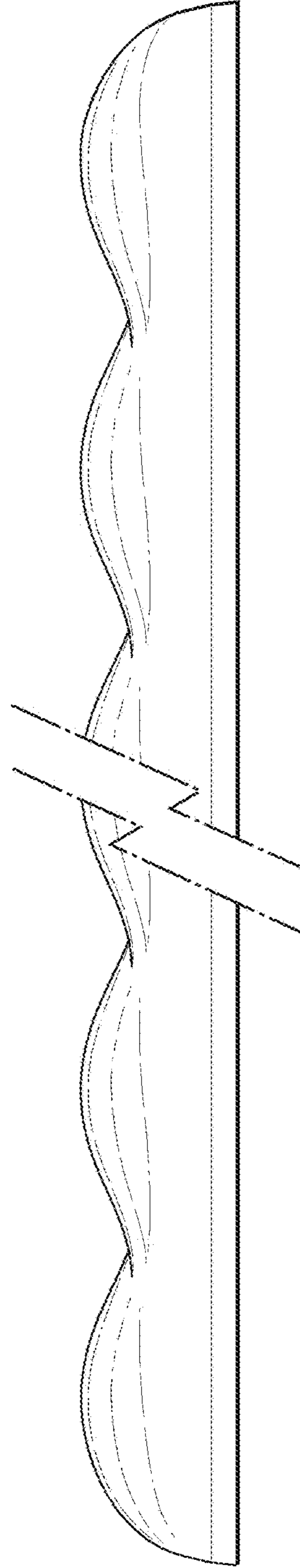


FIG. 17

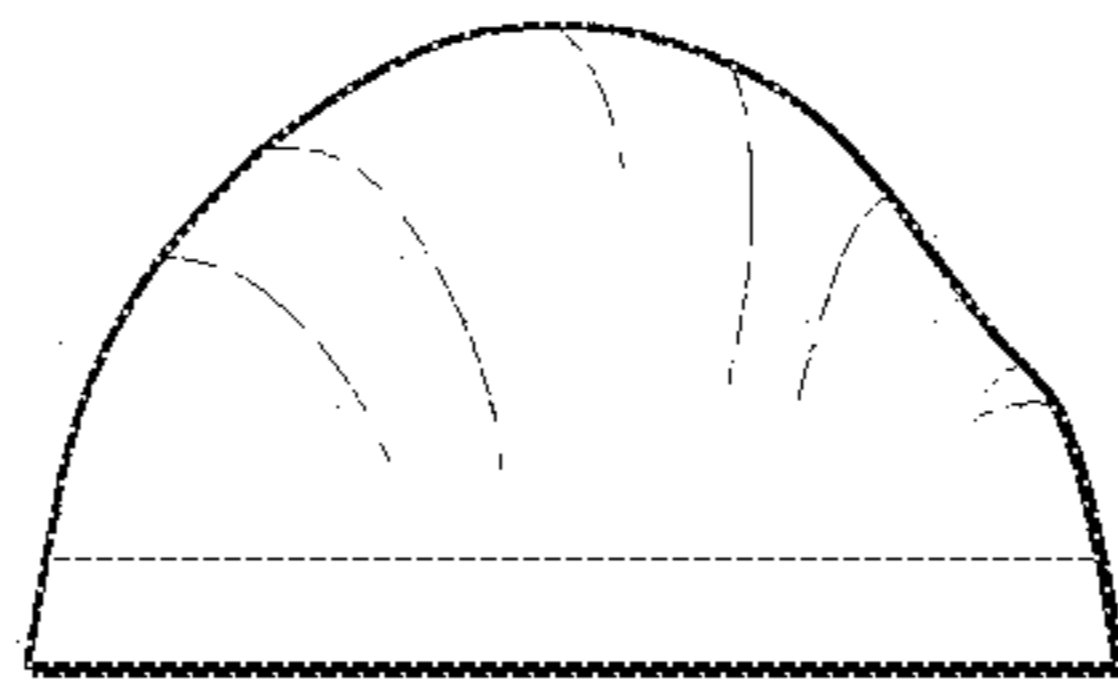


FIG. 18

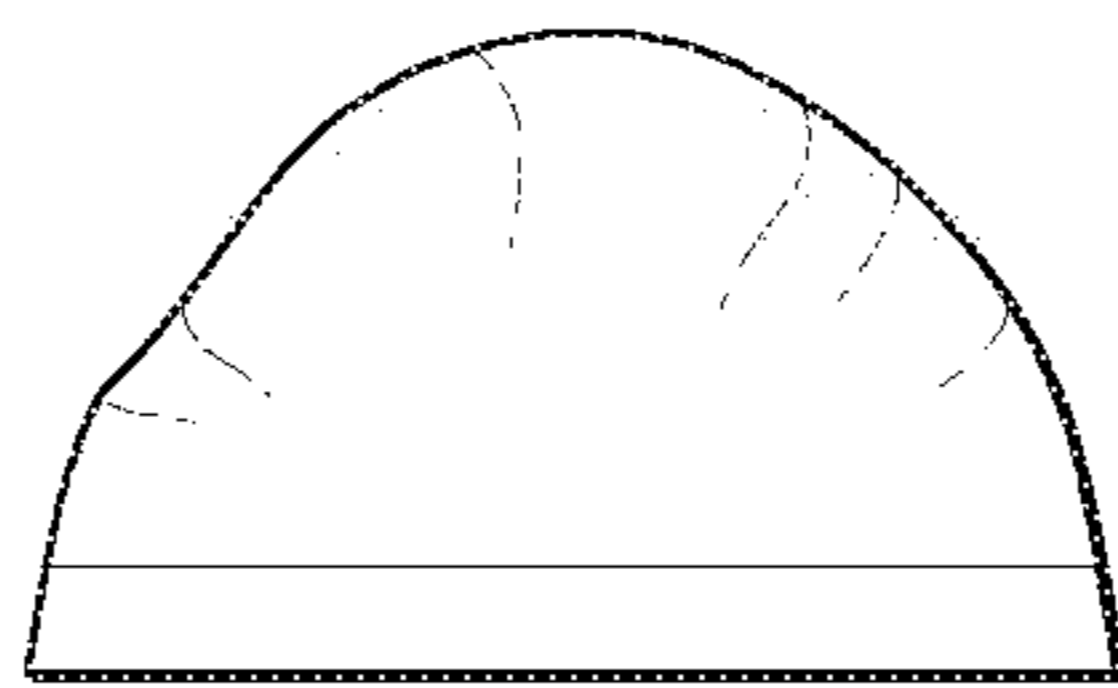


FIG. 19

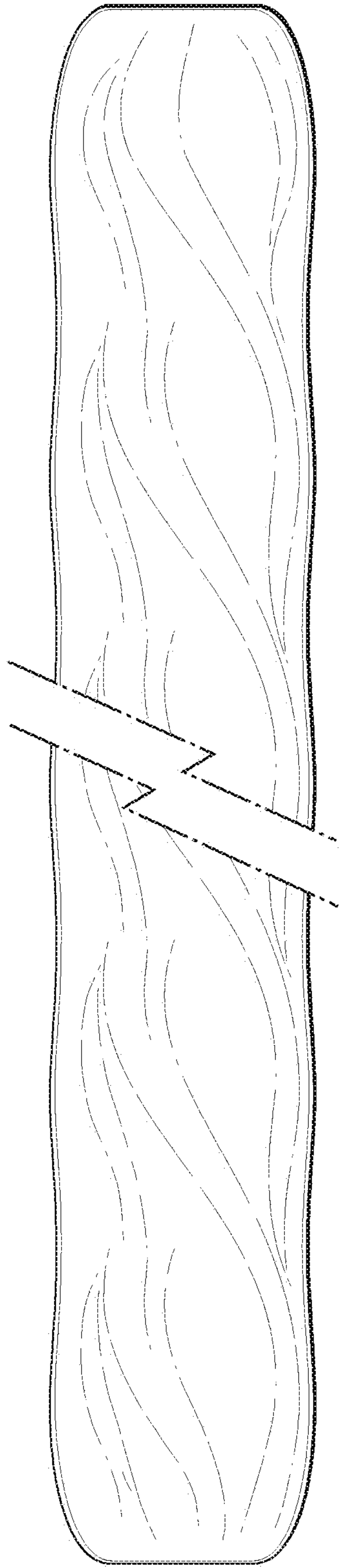


FIG. 20

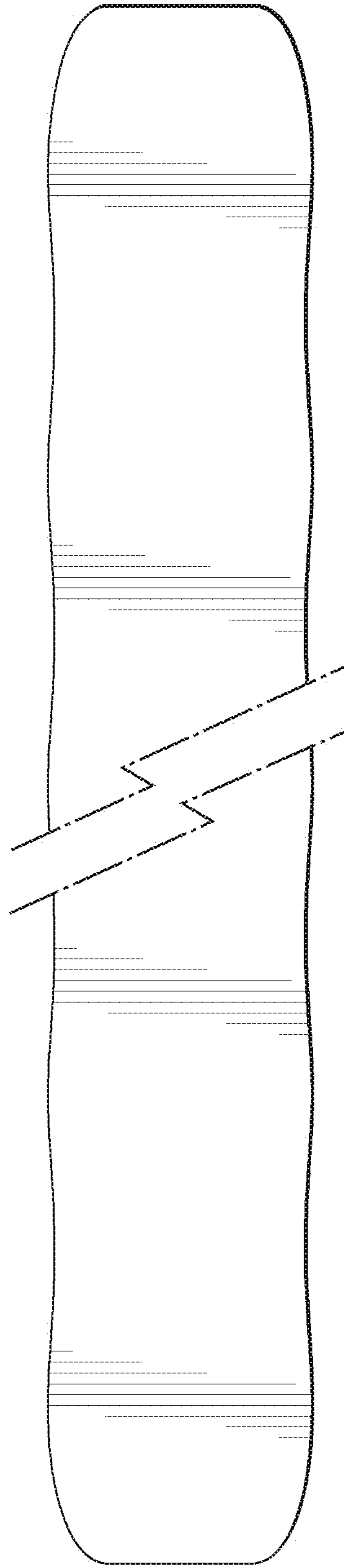


FIG. 21

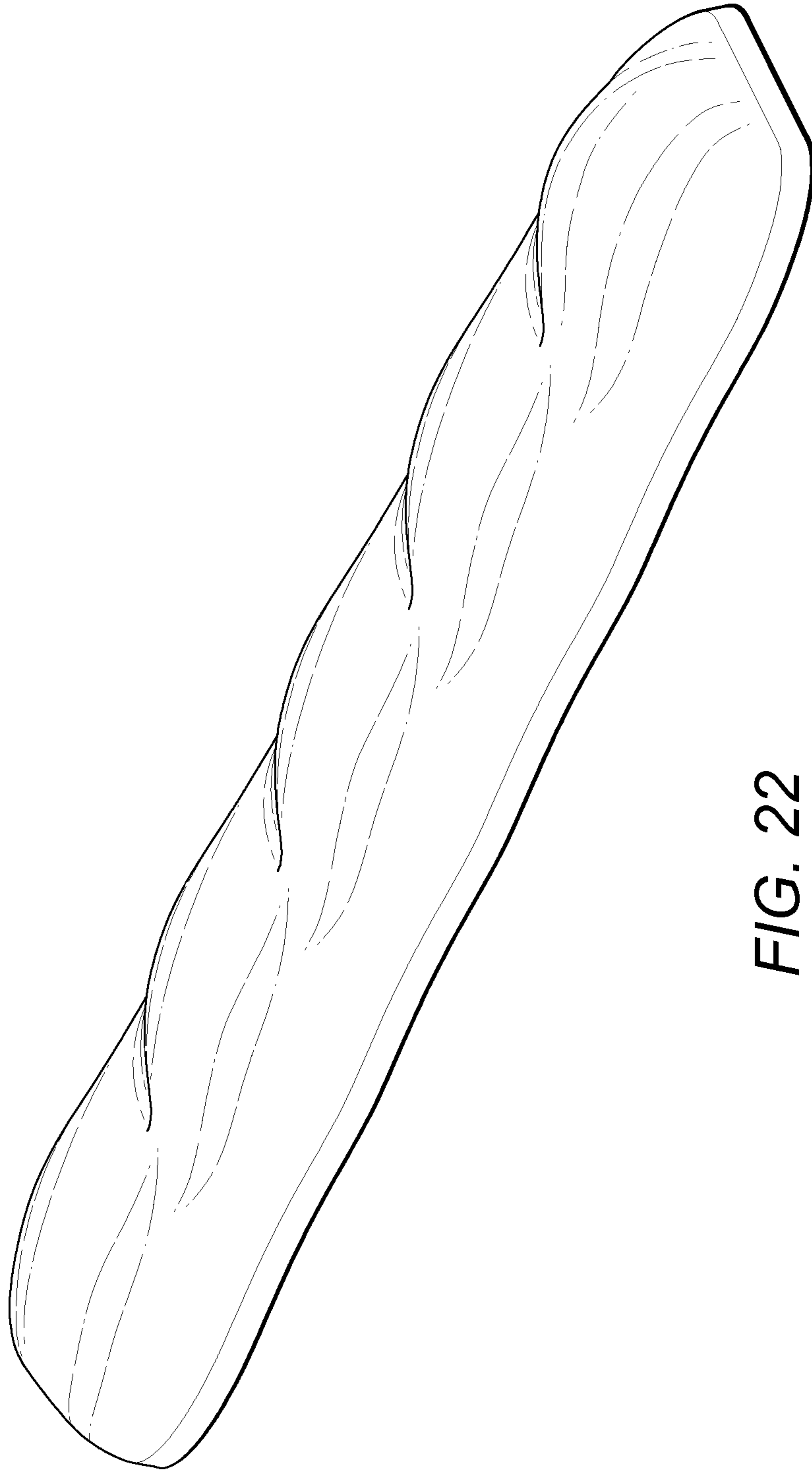


FIG. 22

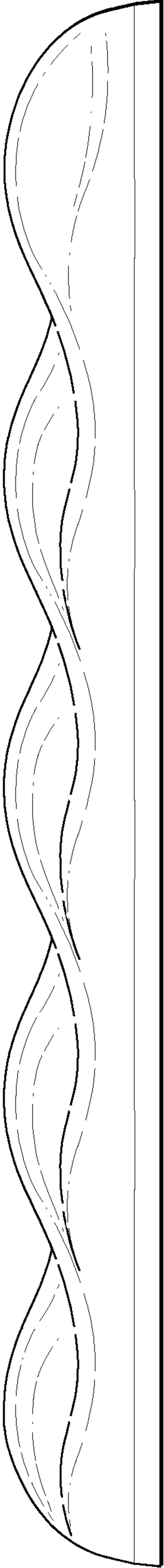


FIG. 23

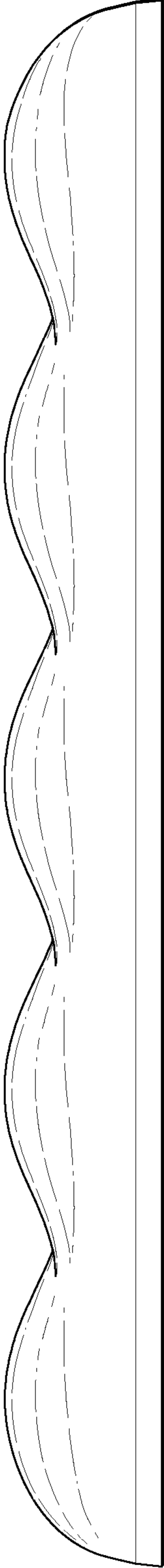


FIG. 24

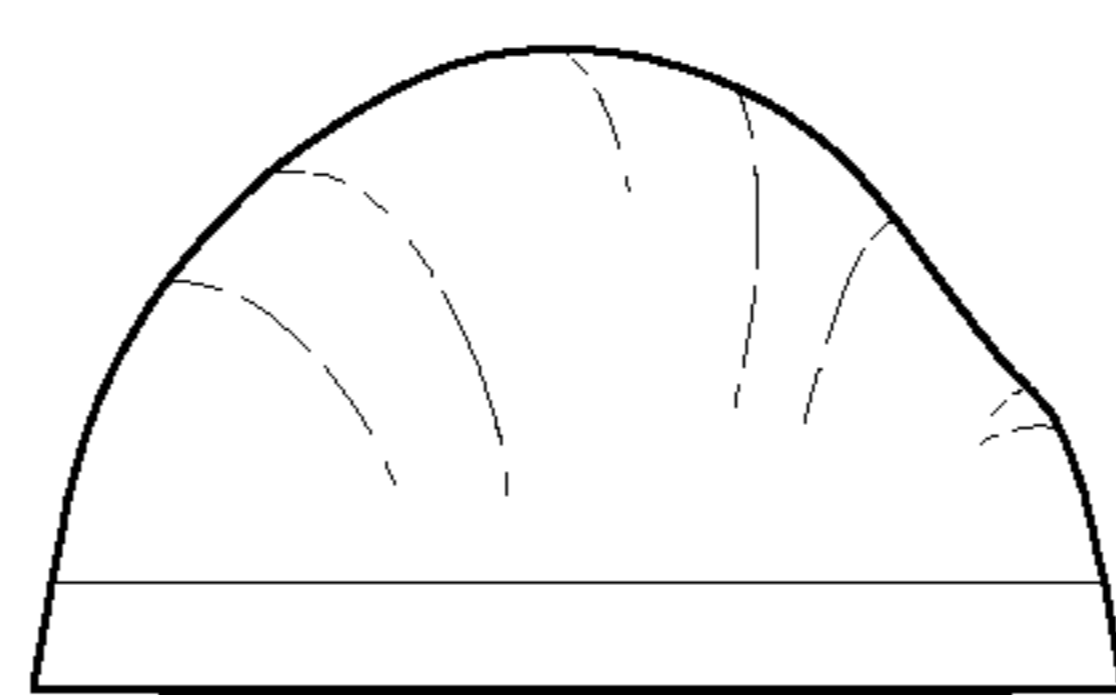


FIG. 25

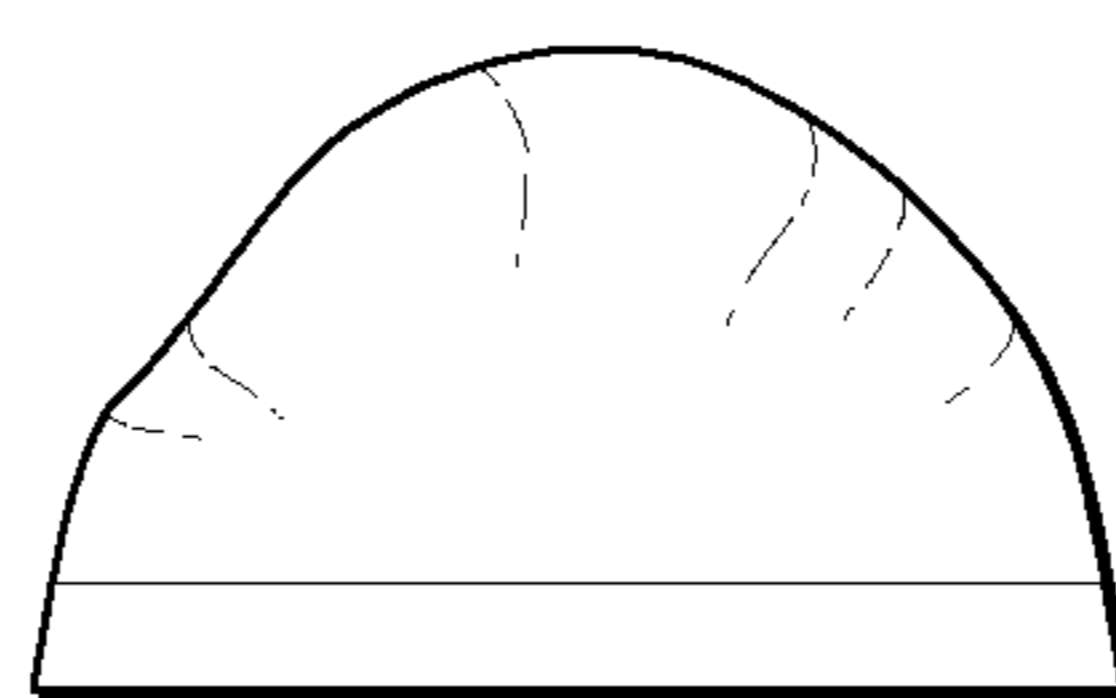


FIG. 26

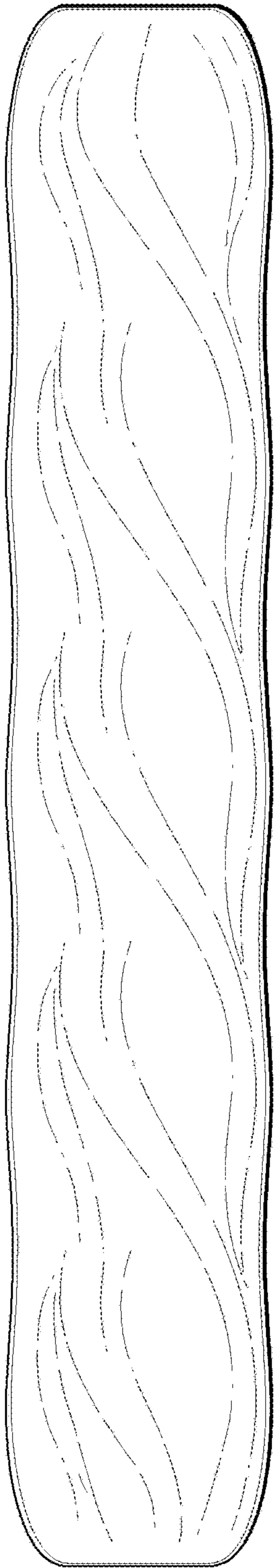


FIG. 27

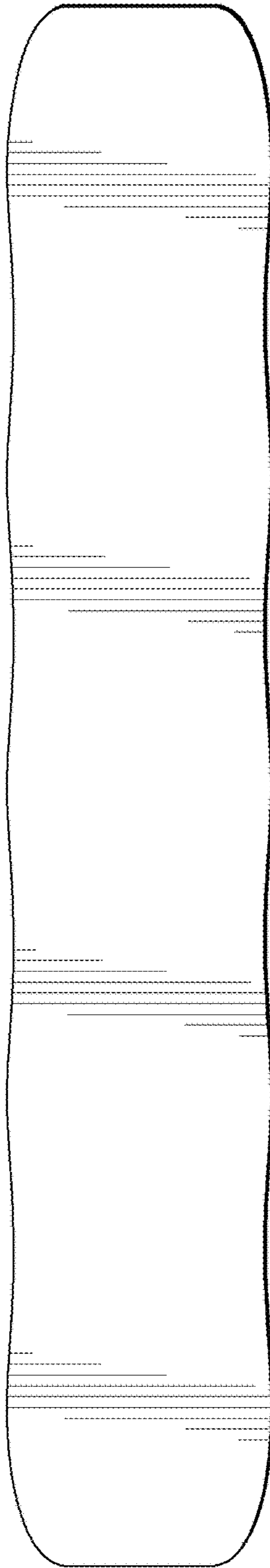


FIG. 28

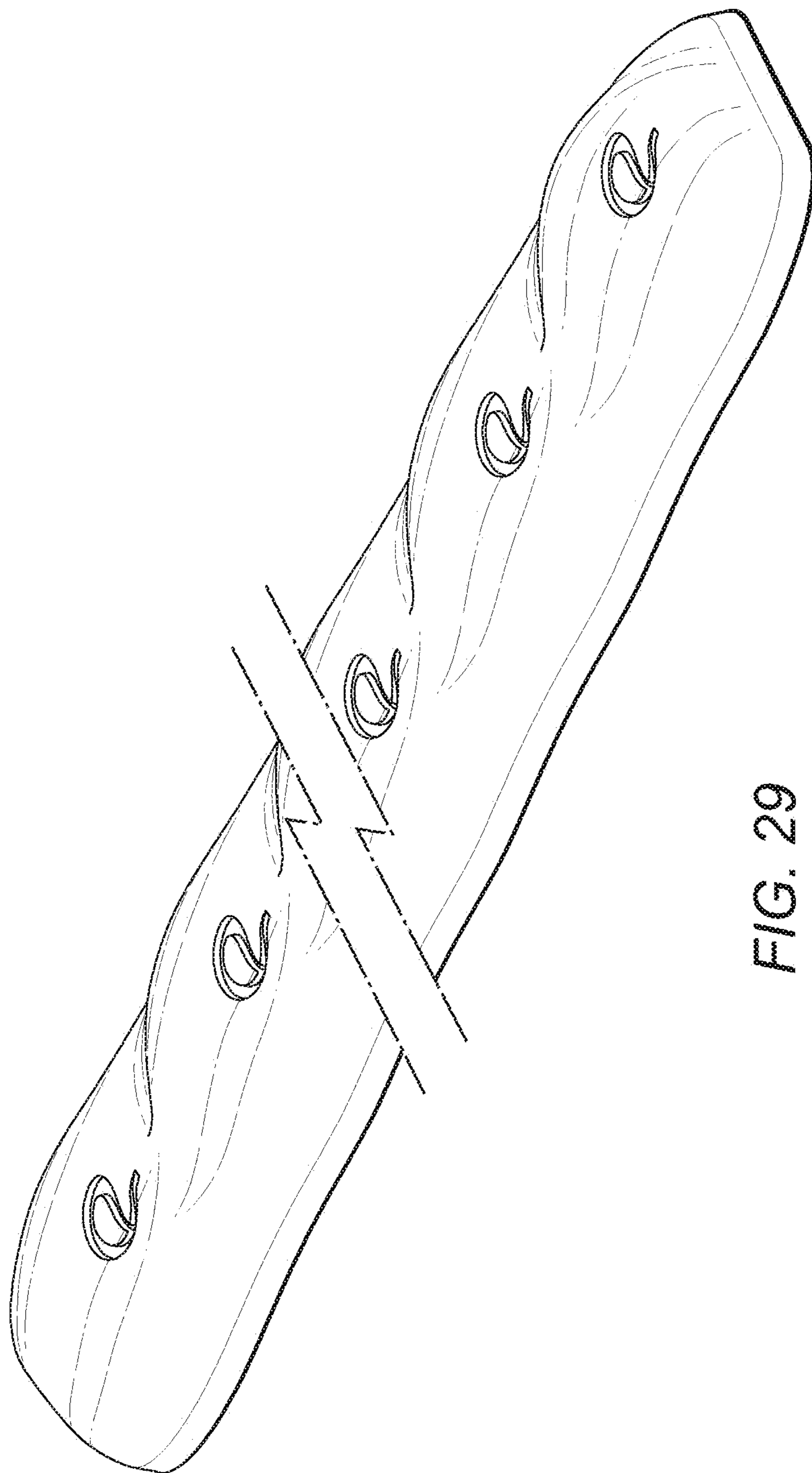


FIG. 29

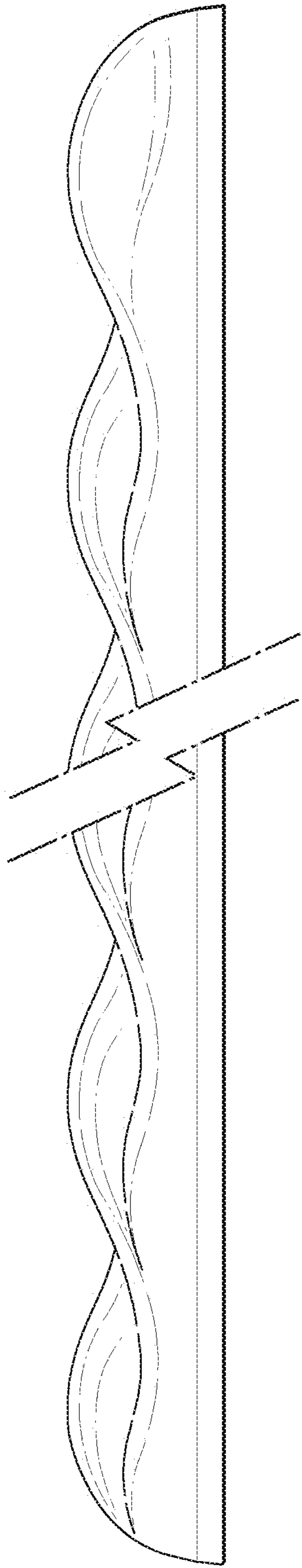


FIG. 30

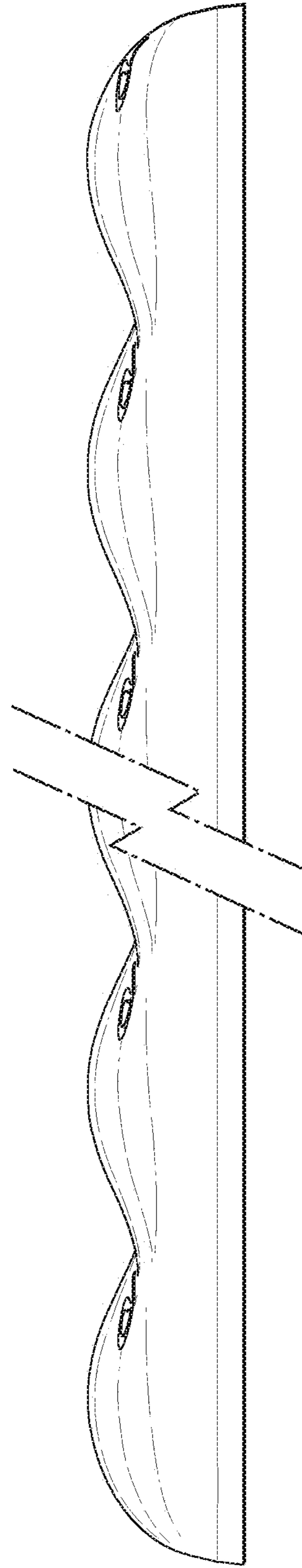


FIG. 31

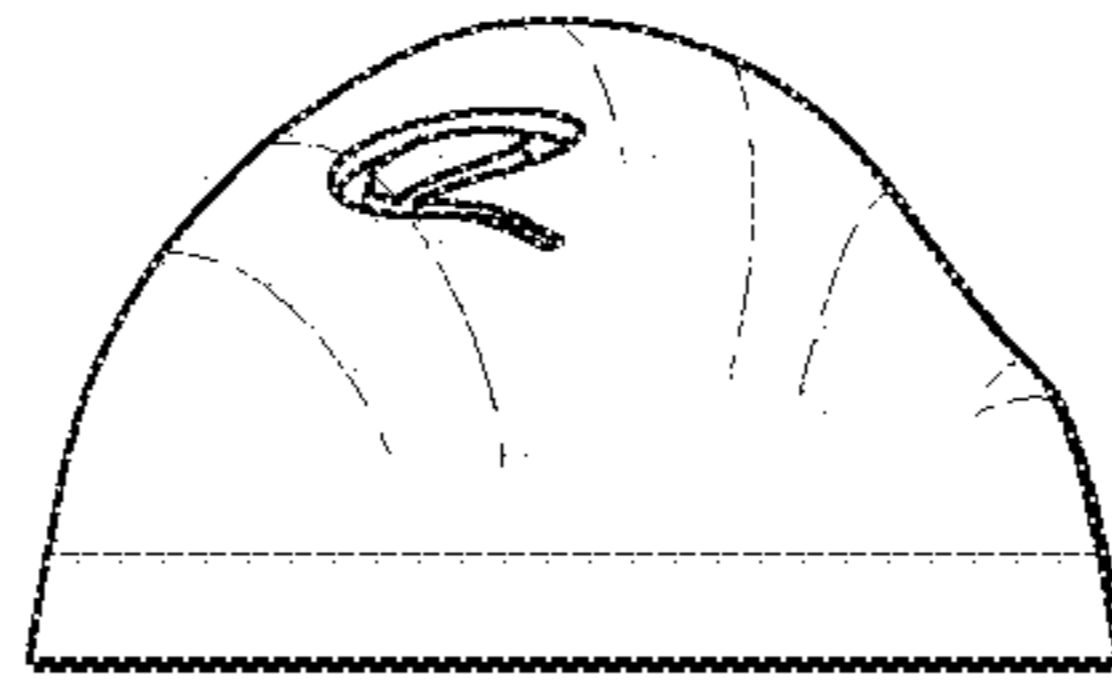


FIG. 32

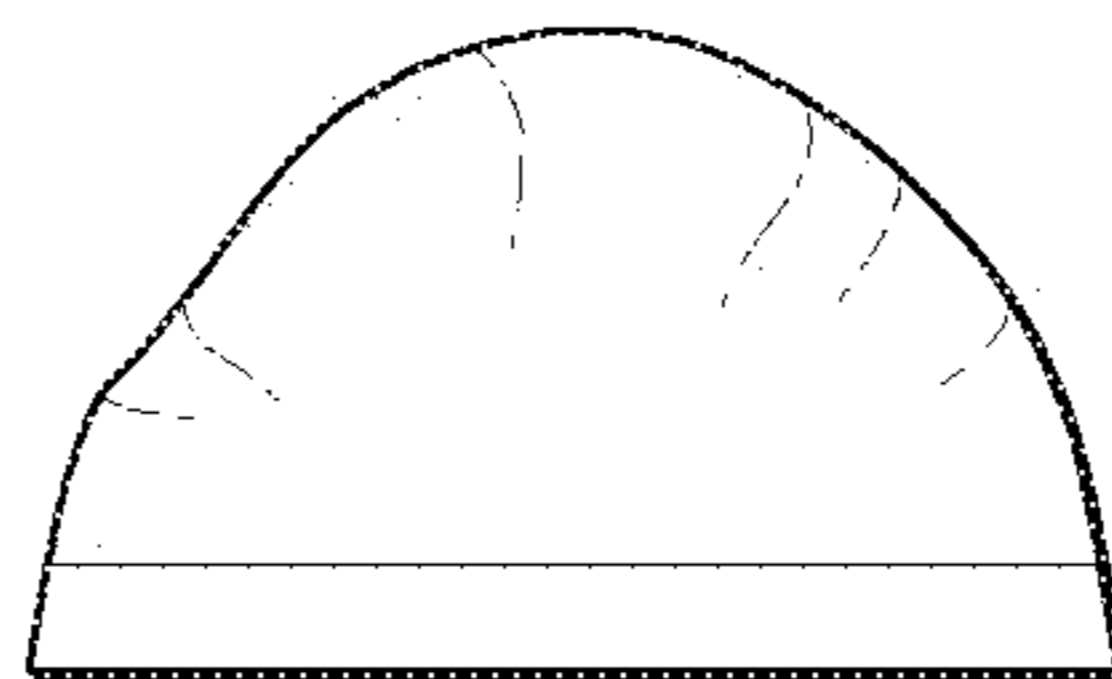


FIG. 33

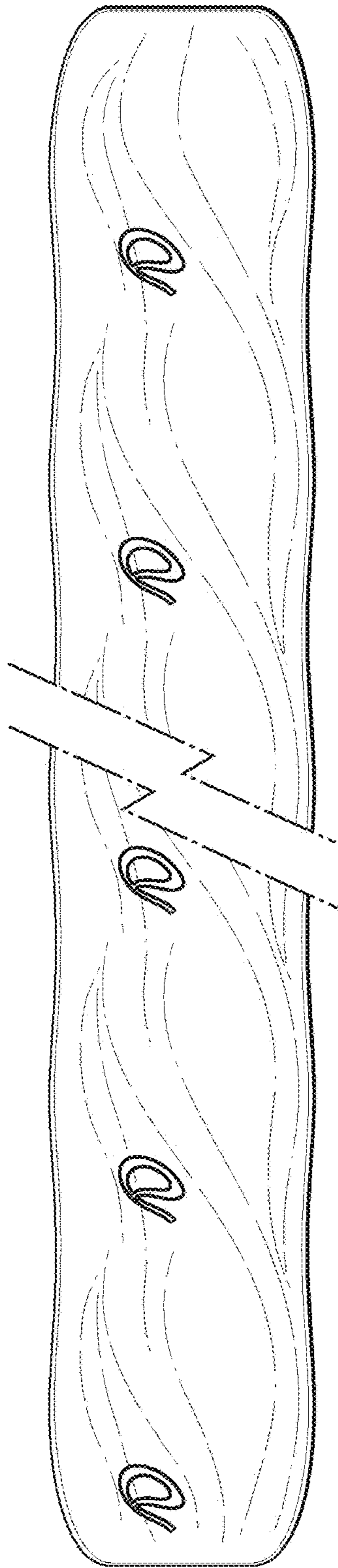


FIG. 34

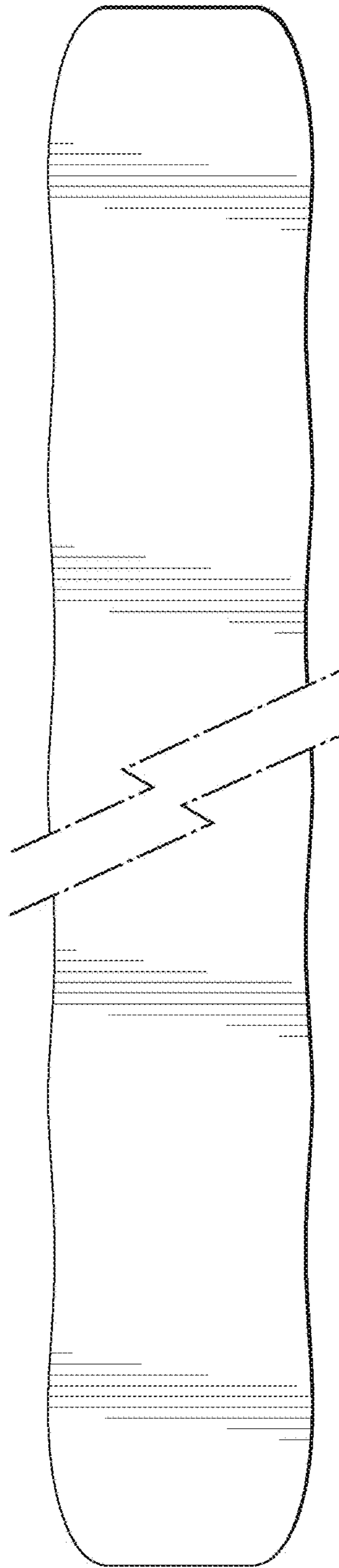


FIG. 35

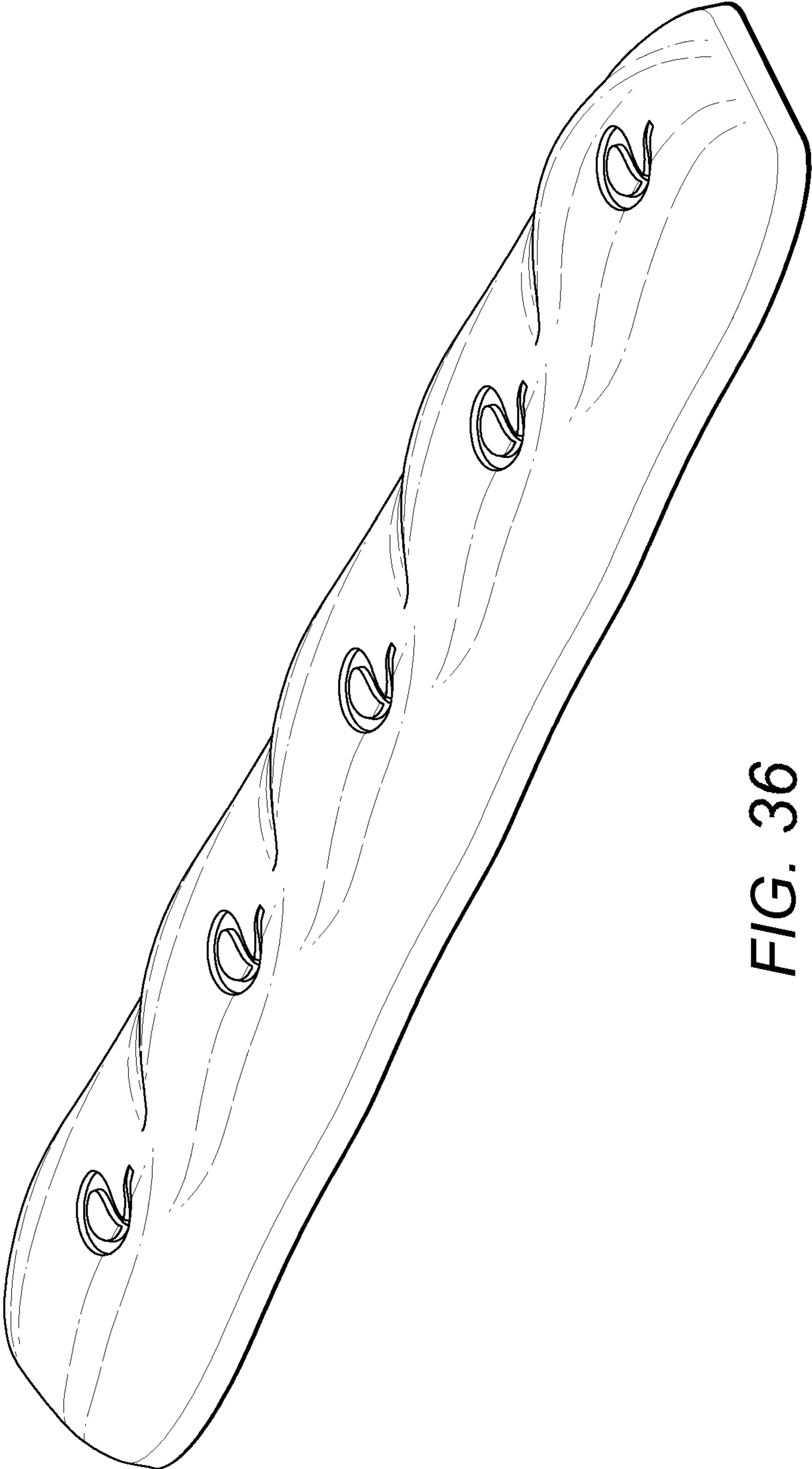


FIG. 36

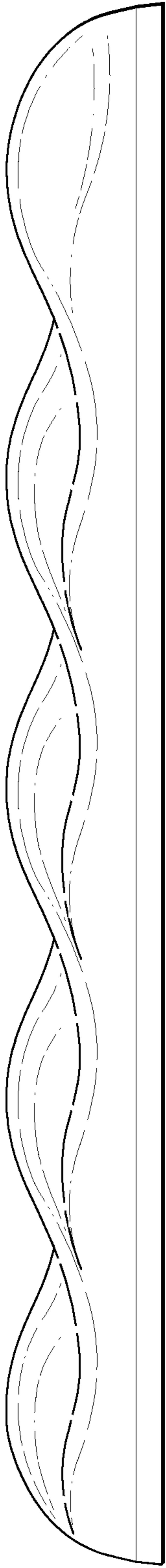


FIG. 37

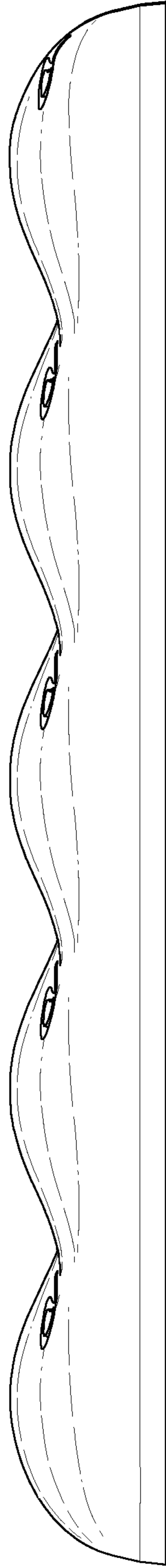


FIG. 38

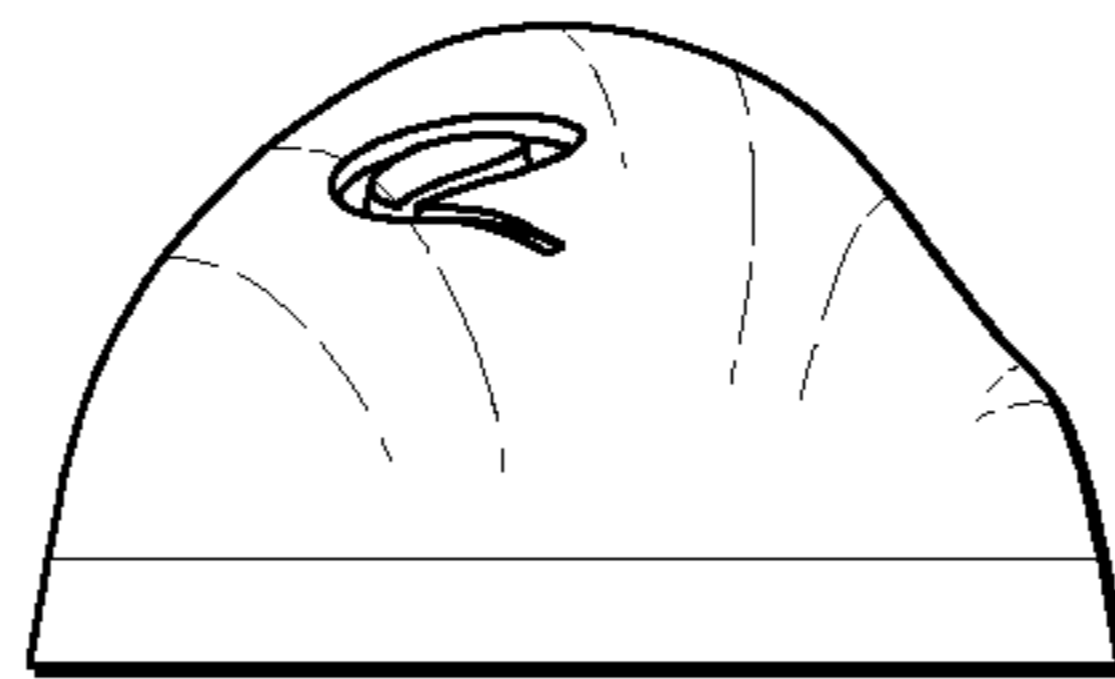


FIG. 39

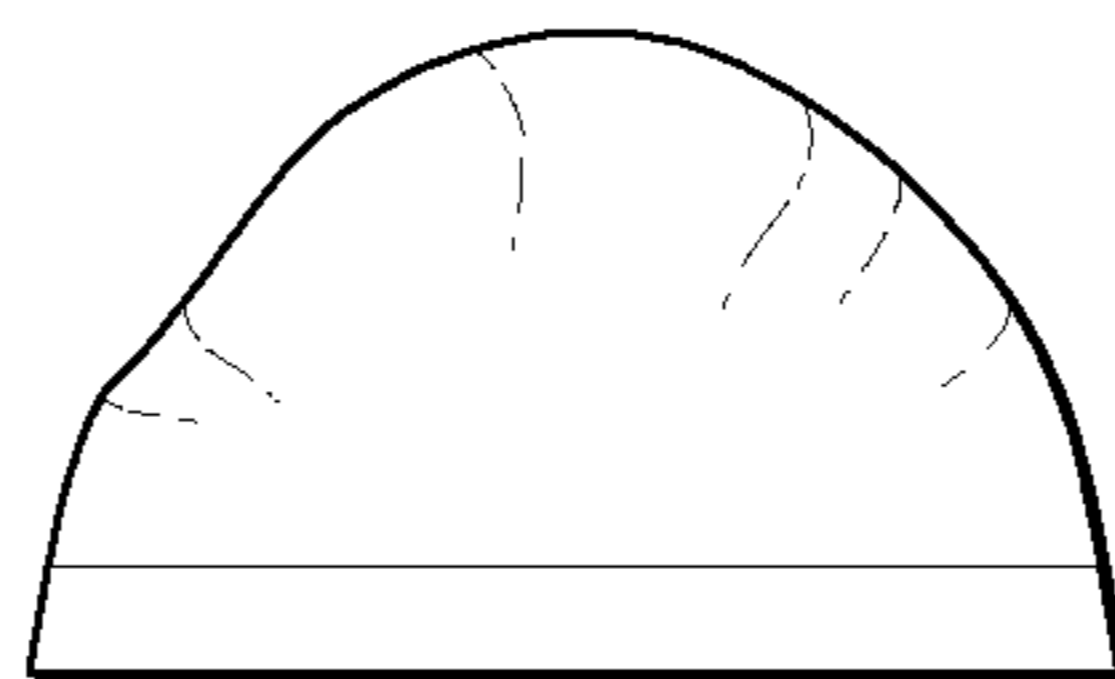


FIG. 40

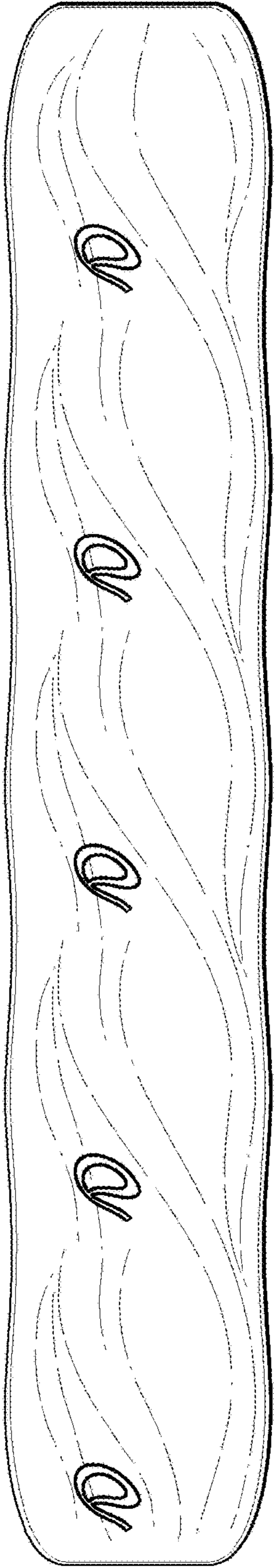


FIG. 41

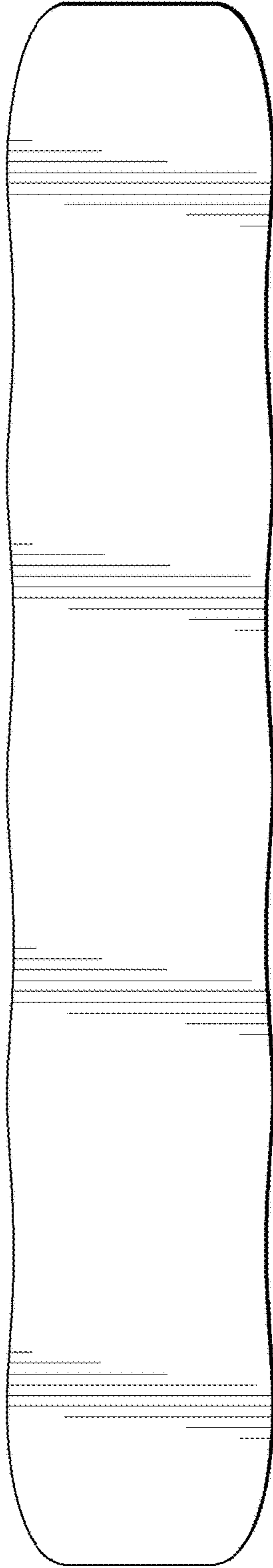


FIG. 42