



US00D822326S

(12) **United States Design Patent** (10) **Patent No.:** **US D822,326 S**
Rana (45) **Date of Patent:** **** Jul. 10, 2018**

(54) **RAVIOLI**
(71) Applicant: **PASTIFICIO RANA S.p.A.**, San Giovanni Lupatoto (Verona) (IT)
(72) Inventor: **Giovanni Rana**, San Giovanni Lupatoto (IT)
(73) Assignee: **PASTIFICIO RANA S.P.A.**, San Giovanni Lupatoto (Verona) (IT)

(**) Term: **15 Years**

(21) Appl. No.: **29/606,306**

(22) Filed: **Jun. 2, 2017**

(51) **LOC (11) Cl.** **01-01**

(52) **U.S. Cl.**
USPC **D1/126**

(58) **Field of Classification Search**
USPC D1/100–130, 199; 426/94, 104, 138, 426/143, 144, 274, 283, 303, 391, 512, 426/514, 518, 549; D6/597, 601; D7/675, 560, 566, 568, 672; D9/451, D9/707, 710, 715; D28/8.1, 8.2; D21/385, 386, 707; D24/101–104
CPC . A21C 11/12; A22C 13/0013; A21D 13/0016; A21D 13/0022; A21D 13/0025; A21D 13/0029; A21D 13/0074; A23G 3/54; A23G 4/20; A23G 9/48; A23L 1/005; A23L 1/0052; A23L 1/0067; A23L 1/16; A23L 1/1641; A23L 1/217; A23V 2002/00
See application file for complete search history.

(56) **References Cited**

U.S. PATENT DOCUMENTS

1,077,835 A * 11/1913 Kelly B65D 81/3261 206/568
D226,038 S * 1/1973 Barere D28/8.1
D230,903 S * 3/1974 Barmes D1/127

D309,521 S * 7/1990 Eureka D1/126
D311,267 S * 10/1990 Pesta D2/869
D357,565 S * 4/1995 Christensen D1/130
D631,278 S * 1/2011 Curtis D6/588
D668,019 S * 10/2012 Rana D1/126
D685,977 S * 7/2013 Rana D1/126
D693,086 S * 11/2013 Rana D1/126
D693,087 S * 11/2013 Rana D1/126
D712,622 S * 9/2014 James D1/130
D732,267 S * 6/2015 Rana D1/126

OTHER PUBLICATIONS

“Jolie Ravioli Kids Shaped Ravioli.” Heaven-Lee Desserts Heaven-Lee Pasta. Sep. 15, 2015. Web. Jan. 24, 2018. <<http://www.heavenleedessertsandpasta.com/product/jolie-ravioli-kids-shaped-ravioli/>>.*

U.S. Appl. No. 29/606,311, filed Jun. 2, 2017, Ravioli.

U.S. Appl. No. 29/606,308, filed Jun. 2, 2017, Ravioli.

U.S. Appl. No. 29/606,310, filed Jun. 2, 2017, Ravioli.

U.S. Appl. No. 29/606,304, filed Jun. 2, 2017, Ravioli.

U.S. Appl. No. 29/606,312, filed Jun. 2, 2017, Ravioli.

* cited by examiner

Primary Examiner — Katie Jane Stofko

(74) *Attorney, Agent, or Firm* — Knobbe Martens Olson & Bear LLP

(57) **CLAIM**

The ornamental design for a ravioli, as shown.

DESCRIPTION

FIG. 1 is a perspective view of a ravioli, showing my new design;

FIG. 2 is a top plan view thereof;

FIG. 3 is a right side elevational view thereof;

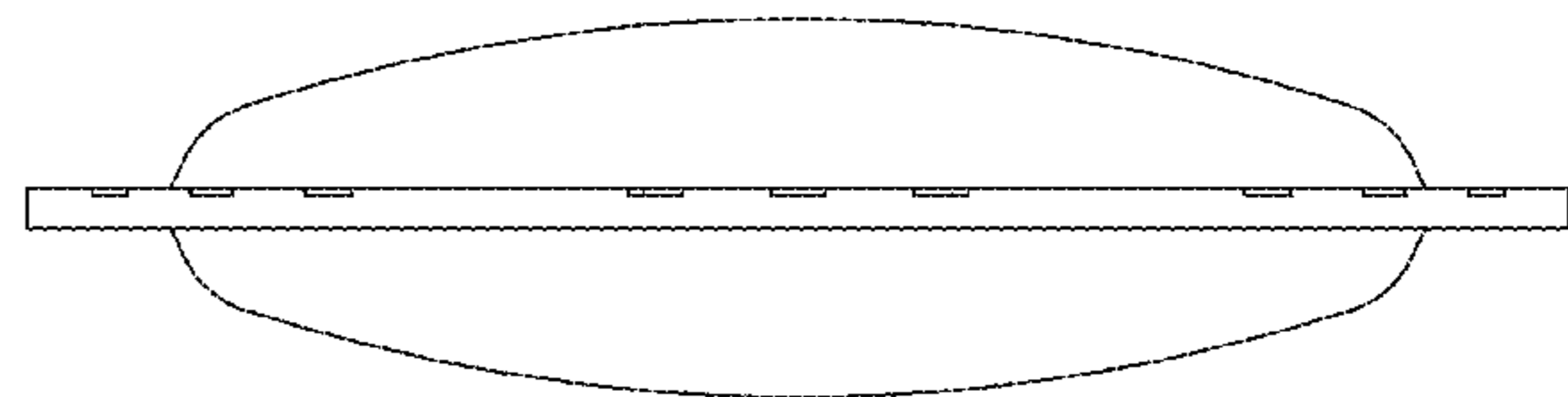
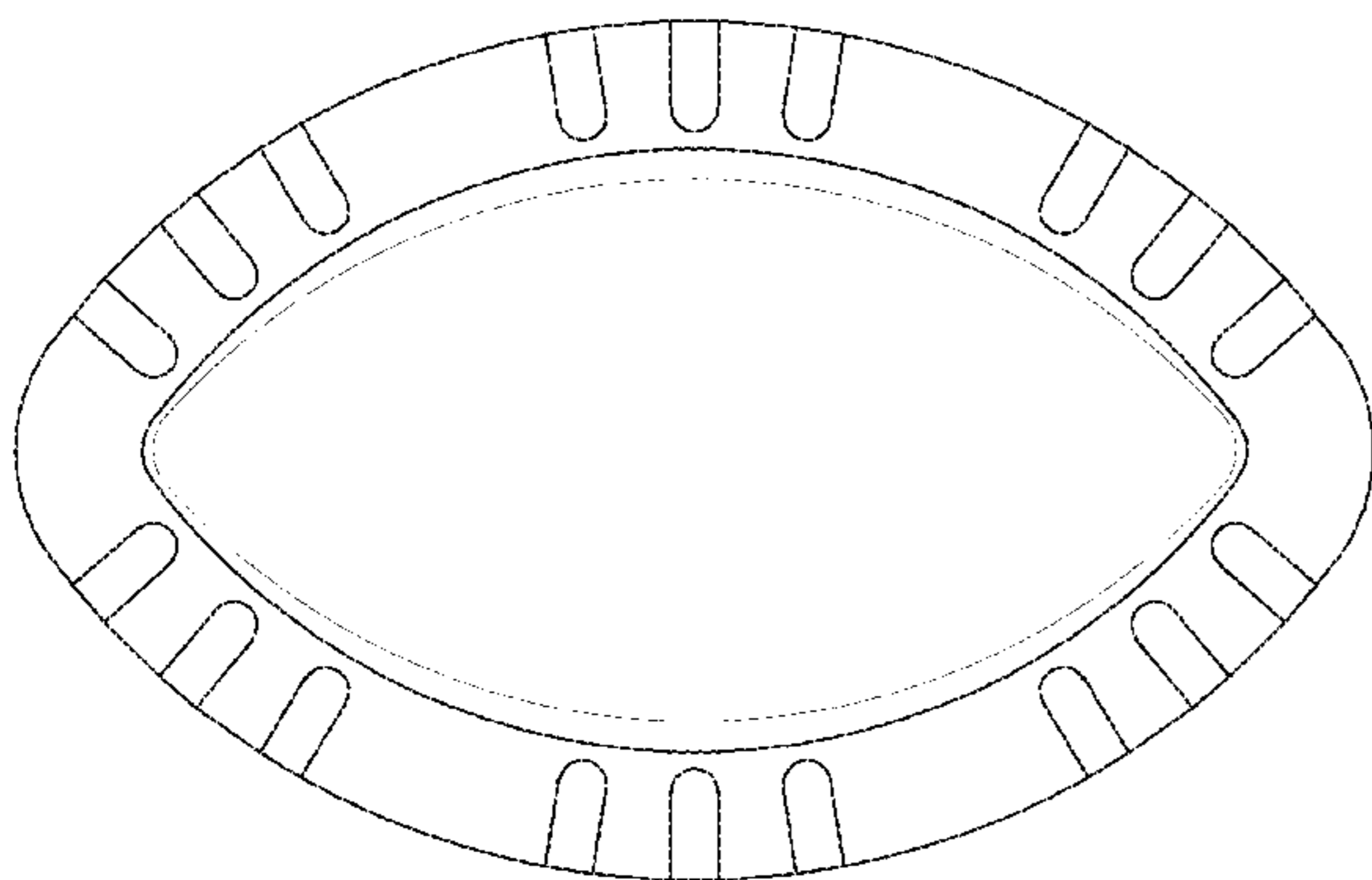
FIG. 4 is a left side elevational view thereof;

FIG. 5 is a bottom plan view thereof;

FIG. 6 is a rear elevational view thereof; and,

FIG. 7 is a front elevational view thereof.

1 Claim, 5 Drawing Sheets



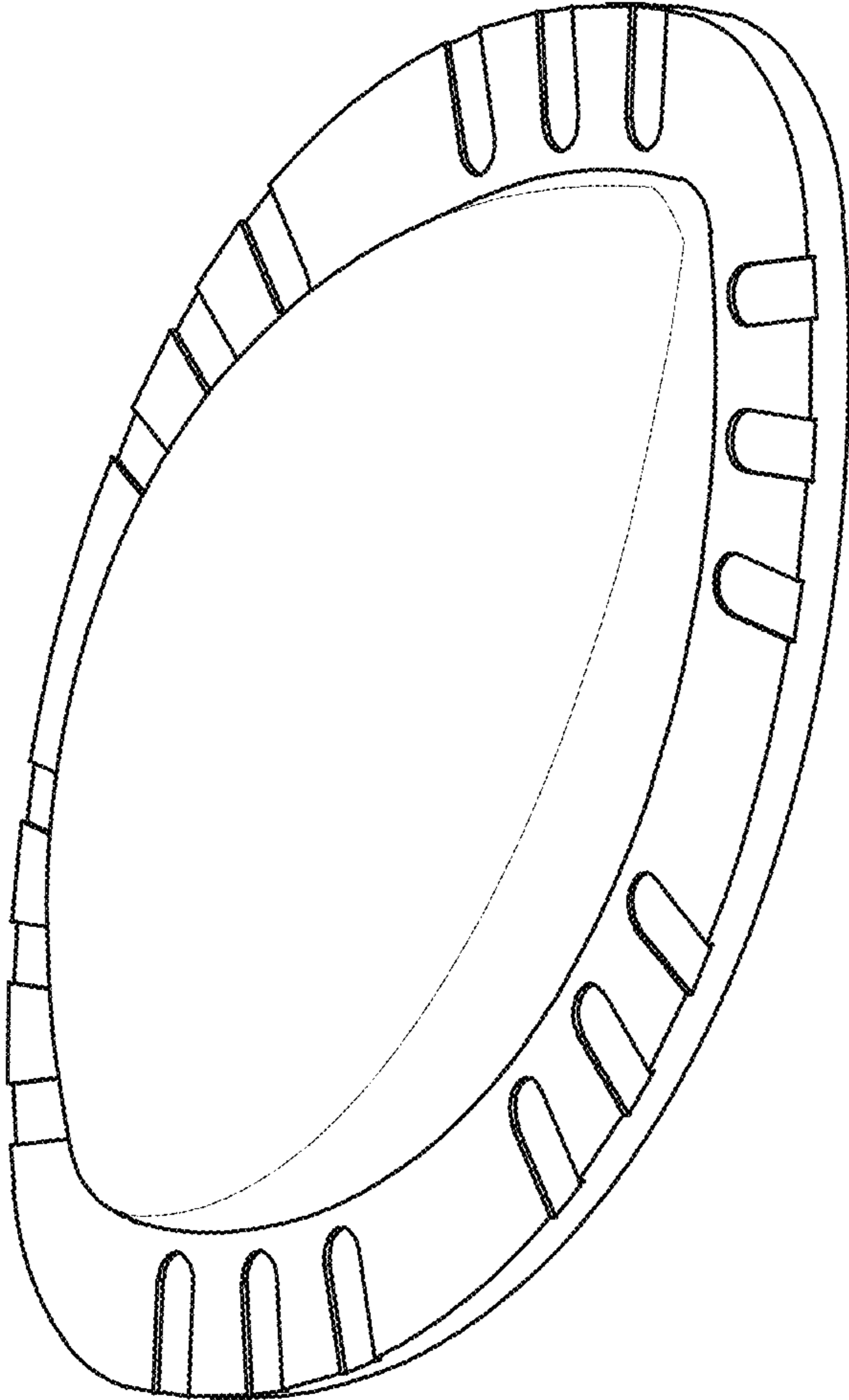


FIG. 1

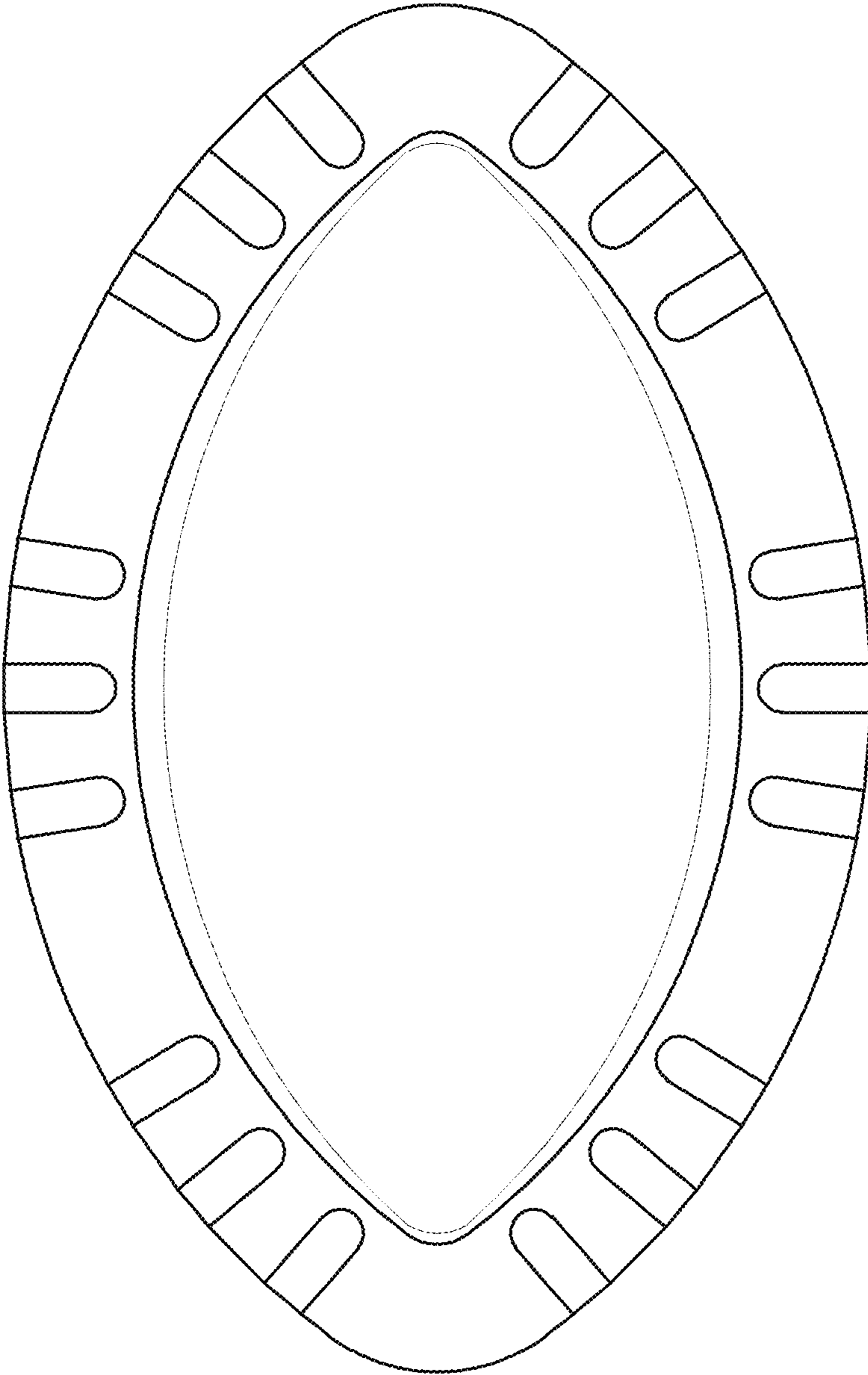


FIG. 2

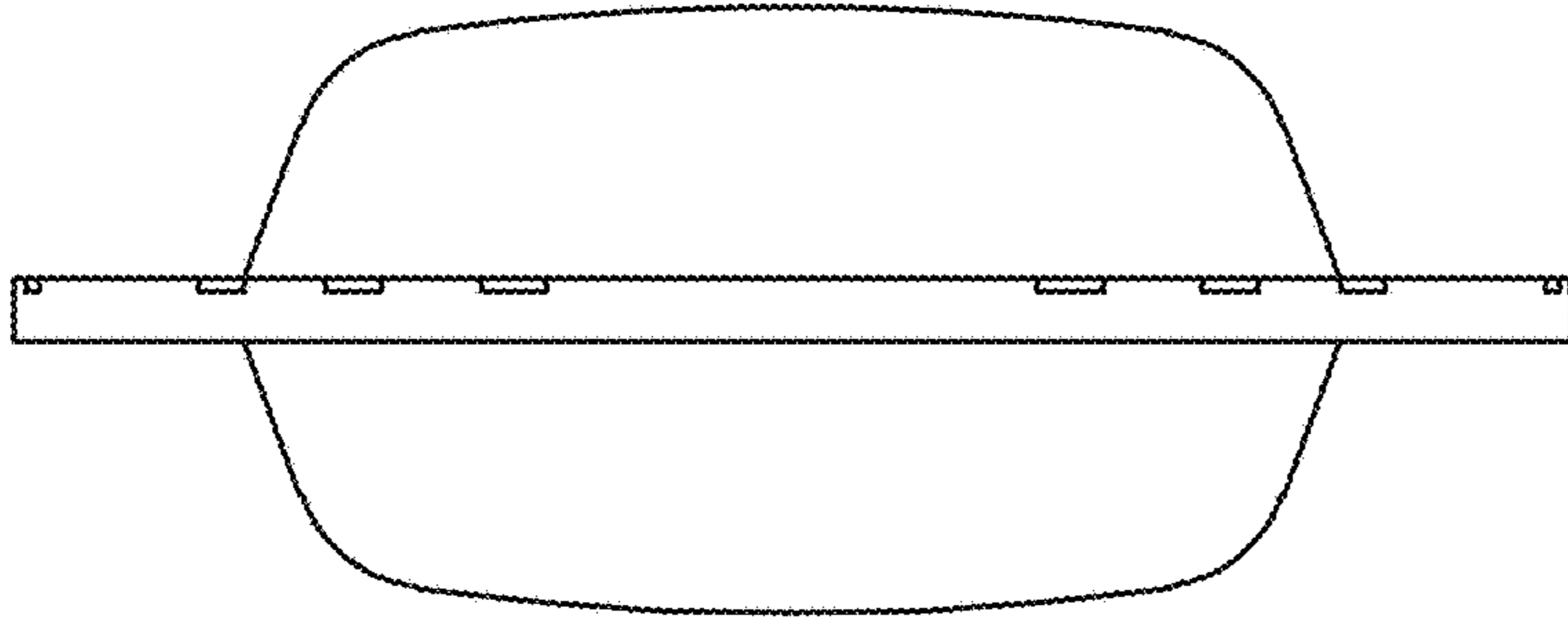


FIG. 4

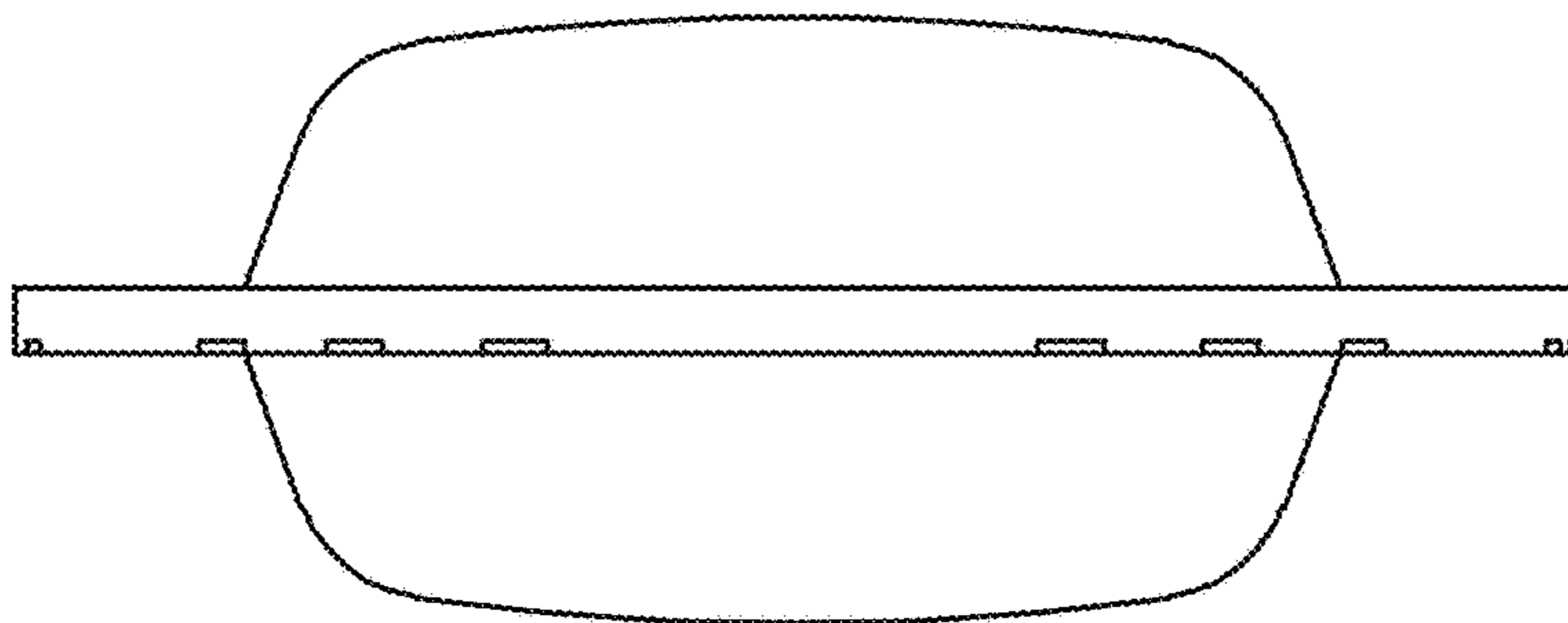


FIG. 3

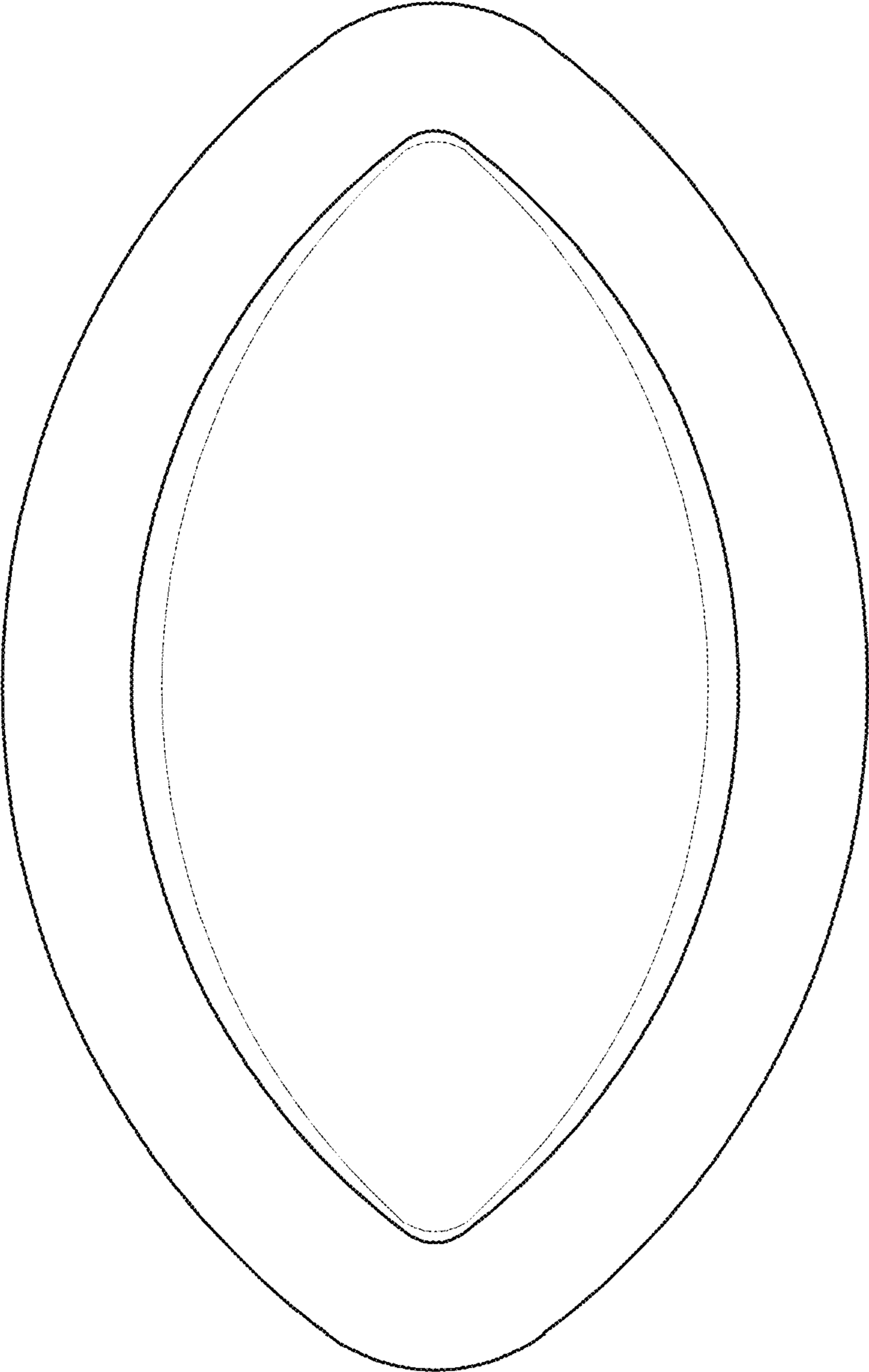


FIG. 5

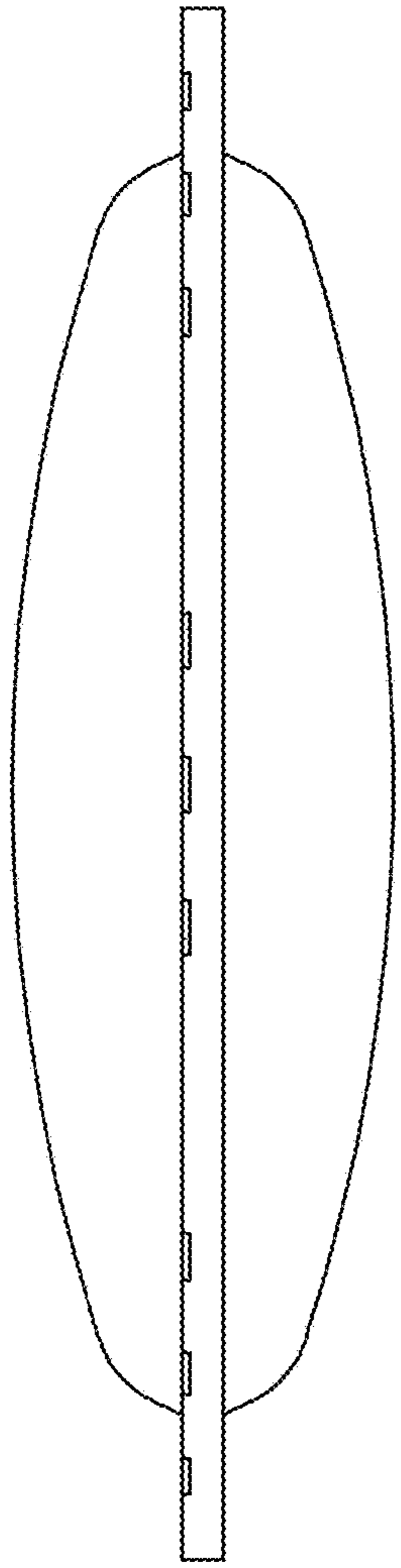


FIG. 6

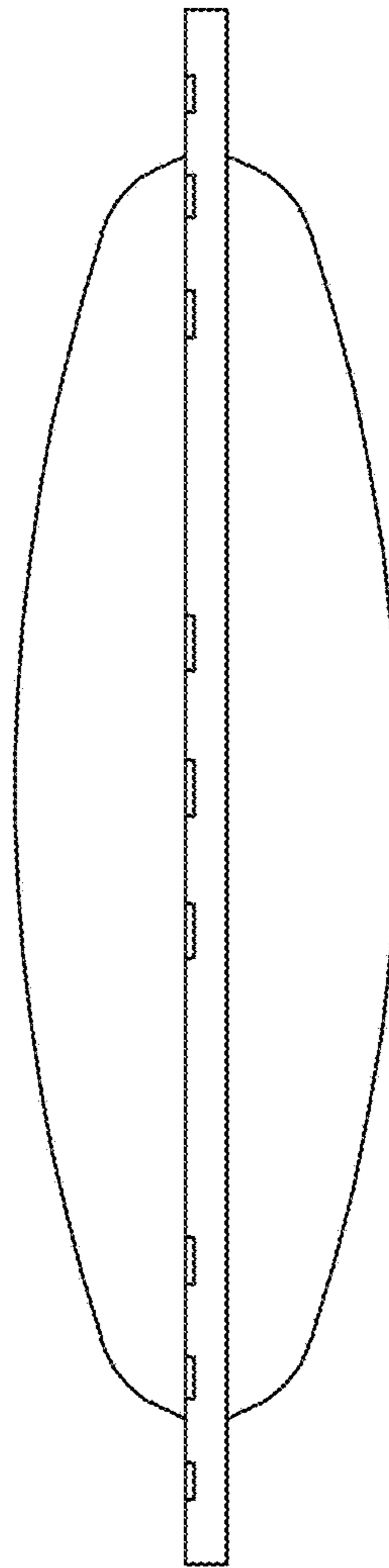


FIG. 7