



US00D822321S

(12) **United States Design Patent** (10) **Patent No.:** **US D822,321 S**
McGrath et al. (45) **Date of Patent:** **** Jul. 10, 2018**

(54) **DOG CHEW**
(71) Applicant: **THE HARTZ MOUNTAIN CORPORATION**, Secaucus, NJ (US)
(72) Inventors: **Kaitlyn McGrath**, Butler, NJ (US);
Alison Weber, Bloomfield, NJ (US);
Susan Burris, Morristown, NJ (US)
(73) Assignee: **THE HARTZ MOUNTAIN CORPORATION**, Secaucus, NJ (US)
(**) Term: **15 Years**
(21) Appl. No.: **29/594,928**
(22) Filed: **Feb. 23, 2017**
(51) **LOC (11) Cl.** **01-01**
(52) **U.S. Cl.**
USPC **D1/125**
(58) **Field of Classification Search**
USPC D1/100-130, 199; 426/104, 108, 138,
426/391, 549, 808, 94, 143, 559, 560;
D11/12, 24, 40, 43, 79, 86, 95;
D24/101-104; 446/118, 128; D21/335,
D21/484, 499, 503; D9/707, 756;
D6/601
CPC A21D 13/0029; A21D 13/0074; A21D
13/0022; A21D 13/0006; A23L 1/1641;
A23L 1/005
See application file for complete search history.

(56) **References Cited**
U.S. PATENT DOCUMENTS
D34,677 S * 6/1901 Rockwell D13/100
729,248 A * 5/1903 Rigney A23G 9/282
426/249
D134,414 S * 11/1942 Orme D1/120
6,138,314 A * 10/2000 Schiff A46D 1/00
15/167.1
D492,836 S 7/2004 Lawrenson

D498,571 S * 11/2004 Lawrenson D1/122
D507,691 S 7/2005 Leiweke
D511,236 S 11/2005 Crum et al.
D515,275 S 2/2006 Leiweke
D536,537 S * 2/2007 Ping Sheng D5/99
D591,926 S * 5/2009 Jia D1/125
D603,134 S * 11/2009 Powell D1/199
D661,868 S * 6/2012 Takeda D1/199
D683,927 S 6/2013 Tansey
D684,337 S 6/2013 Tansey
D692,206 S 10/2013 Slusarczyk
D705,516 S 5/2014 Slusarczyk
D714,016 S 9/2014 Slusarczyk
D725,867 S * 4/2015 Mathew D1/115
D730,617 S 6/2015 Slusarczyk
D766,541 S * 9/2016 Melkonyan D1/115
D789,650 S * 6/2017 Hansen D1/125

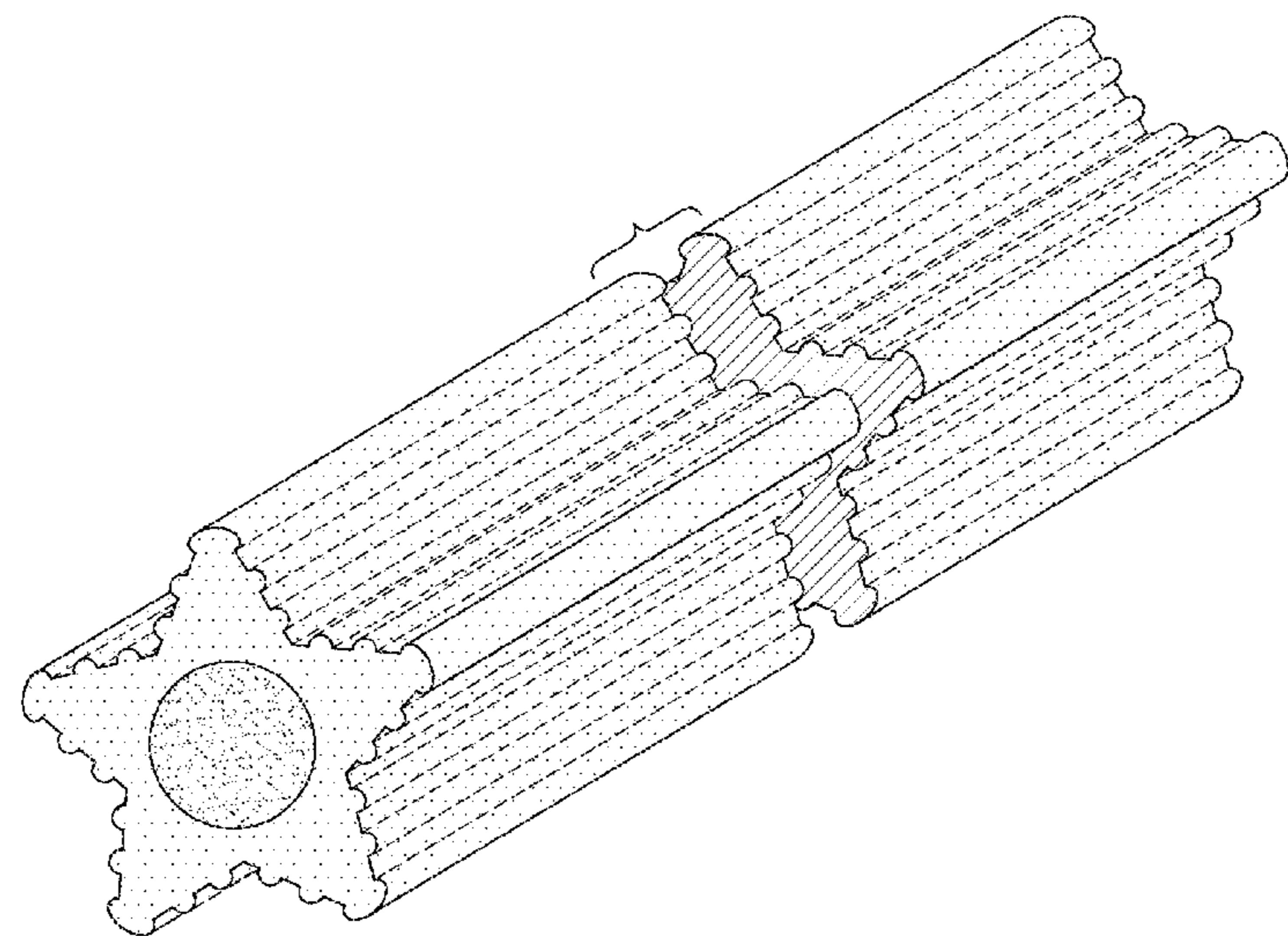
(Continued)

Primary Examiner — Katie Jane Stofko
(74) *Attorney, Agent, or Firm* — Gottlieb, Rackman & Reisman, P.C.

(57) **CLAIM**
The ornamental design for a dog chew, as shown and described.

DESCRIPTION
FIG. 1 is a perspective view of a dog chew showing our new design; and,
FIG. 2 is a right side elevational view thereof, the left side elevational view being a mirror image.
The break lines in FIG. 1 are to indicate that the appearance of any portion of the article between the break lines form no part of the claimed design, and the broken lines shown in the drawings are included for the purpose of illustrating portions of the article that form no part of the claimed design as well. The smaller stippled shading and larger stippled shading shown in FIGS. 1-2 represent a contrasting appearance.

1 Claim, 1 Drawing Sheet



(56)

References Cited

U.S. PATENT DOCUMENTS

2006/0141105 A1* 6/2006 Derrieu A01K 15/026
426/132
2016/0029664 A1 2/2016 Slusarczyk
2017/0042192 A1 2/2017 She et al.

* cited by examiner

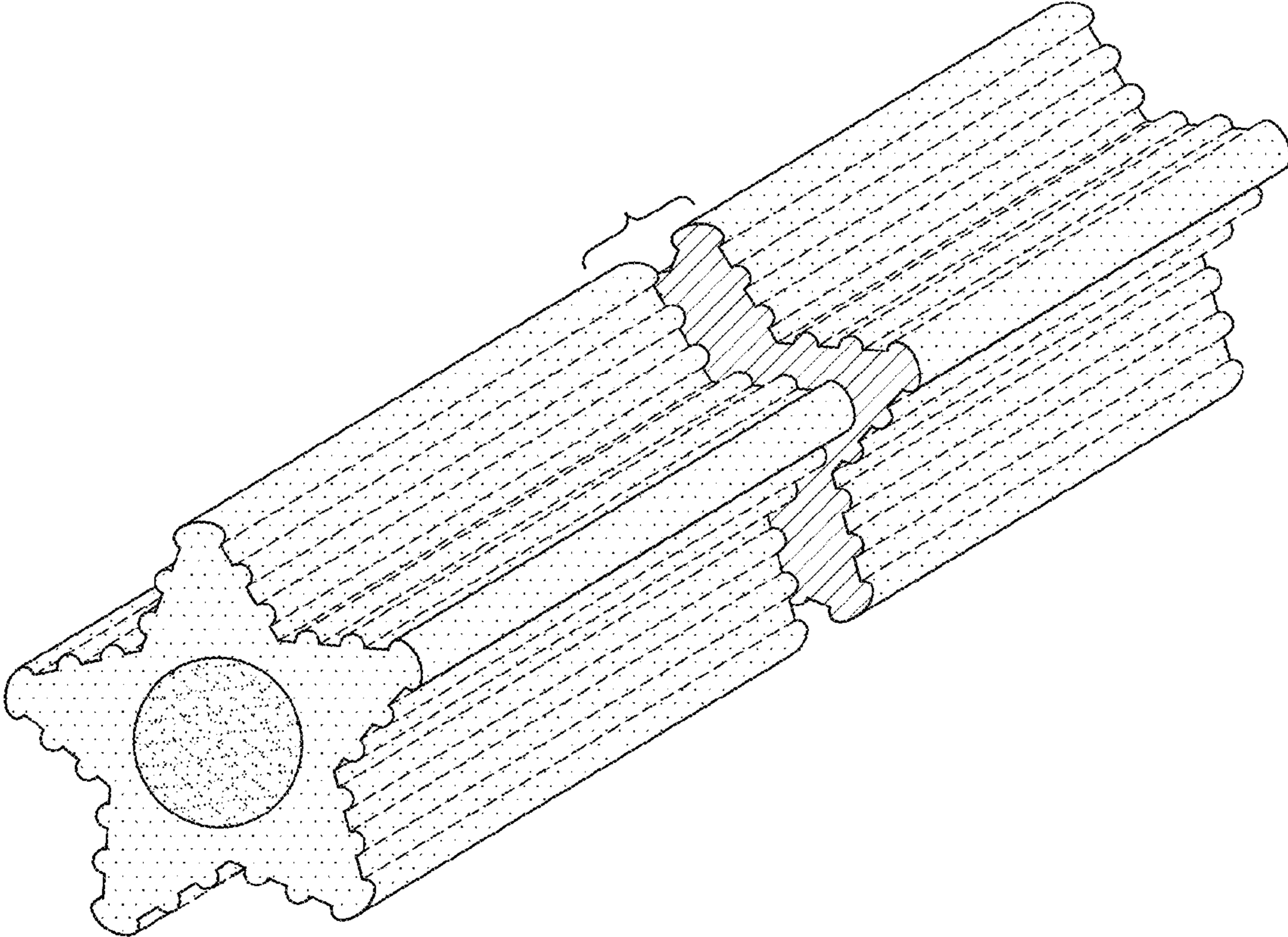


FIG. 1

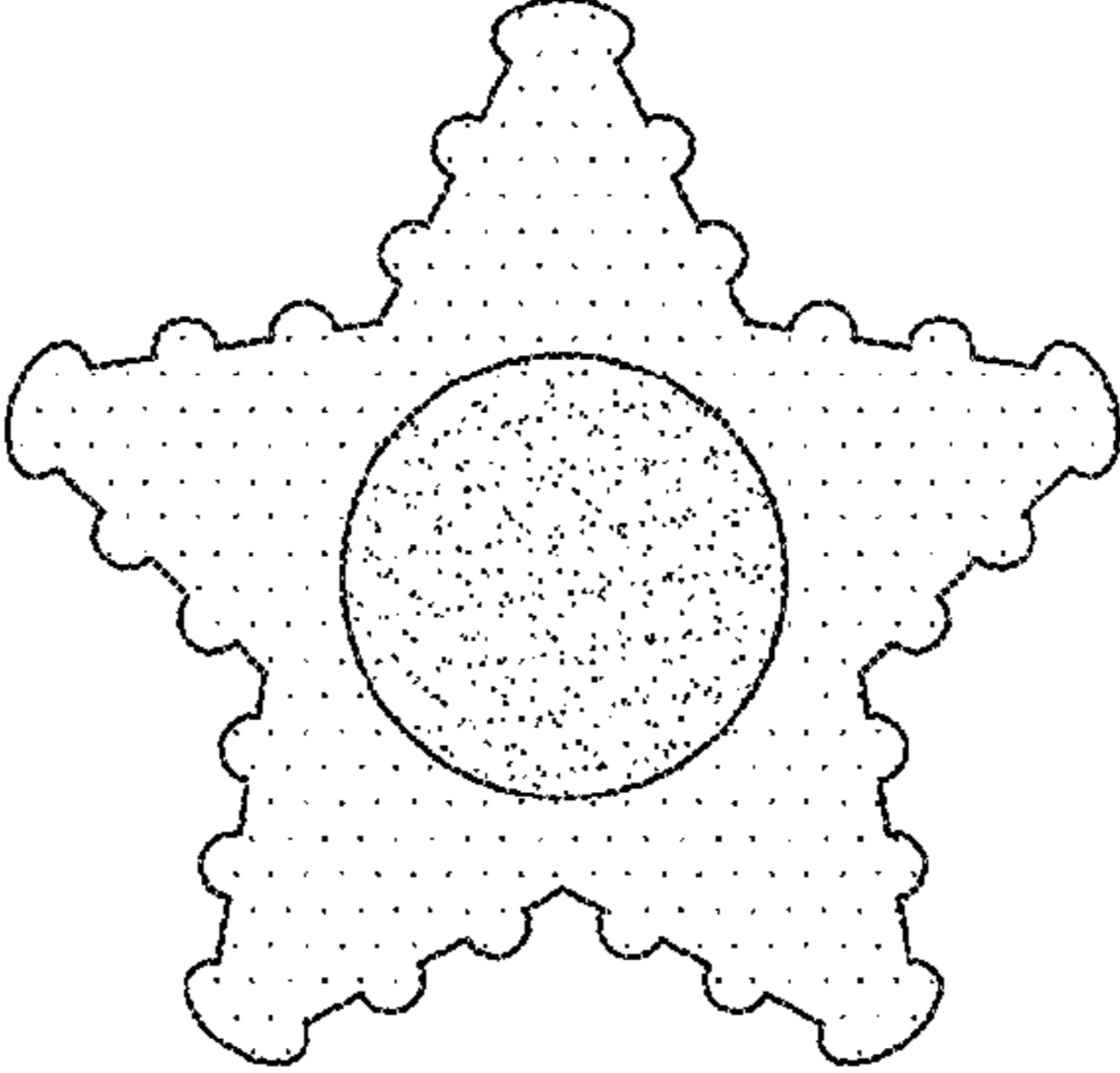


FIG. 2