



US00D822315S

(12) **United States Design Patent**  
**Heath et al.**

(10) **Patent No.:** **US D822,315 S**  
(45) **Date of Patent:** **\*\* Jul. 10, 2018**

(54) **FOOD PRODUCT**

(71) Applicant: **Mars, Incorporated**, McLean, VA (US)

(72) Inventors: **Guy Heath**, Batley (GB); **Kay Brown**,  
Batley (GB); **Kelly Stevens**, Batley  
(GB); **Gemma Monaghan**, Batley (GB)

(73) Assignee: **Mars, Incorporated**, McLean, VA (US)

(\*\*) Term: **15 Years**

(21) Appl. No.: **29/587,631**

(22) Filed: **Dec. 14, 2016**

(51) **LOC (11) Cl.** ..... **01-01**

(52) **U.S. Cl.**  
USPC ..... **D1/122**

(58) **Field of Classification Search**  
USPC ..... D1/100–130, 199; 426/104, 108, 138,  
426/391, 549, 808, 94, 143, 559, 560;  
D11/40, 43, 79; D24/101–104; 446/118,  
446/128; D21/484, 499, 503, 756, 622;  
D14/212, 218; D23/393, 422; D30/160;  
D25/119, 122; D8/354, 382; D26/138;  
D15/138; 52/254, 843; D7/300.2  
CPC ..... A21D 13/0029; A21D 13/0074; A21D  
13/0022; A21D 13/0006; A23L 1/1641;  
A23L 1/005

See application file for complete search history.

(56) **References Cited**

**U.S. PATENT DOCUMENTS**

57,890 A \* 9/1866 Gilson ..... C10L 5/36  
44/491  
D96,909 S \* 9/1935 Huld ..... D7/300.2  
D203,807 S \* 2/1966 Pellegrino ..... D1/114  
3,386,590 A \* 6/1968 Gretz ..... F21V 35/00  
211/182  
3,917,194 A \* 11/1975 Muller ..... B64C 3/40  
244/46

(Continued)

**FOREIGN PATENT DOCUMENTS**

DE 9509757 8/1996  
EP 000206214-0001 7/2004

(Continued)

**OTHER PUBLICATIONS**

Vantschip, Nina. "Dog Bones." Doodle Kisses. Nov. 11, 2009. Web.  
Dec. 29, 2017. <<http://www.doodlekisses.com/forum/topics/dog-bones>>.\*

(Continued)

*Primary Examiner* — Katie Jane Stofko

(74) *Attorney, Agent, or Firm* — Greenberg Traurig, LLP

(57) **CLAIM**

The ornamental design for a food product, as shown and described.

**DESCRIPTION**

FIG. 1 is a front right perspective view of a food product showing our new design;

FIG. 2 is a front elevation view of the food product shown in FIG. 1;

FIG. 3 is a rear elevation view of the food product shown in FIG. 1;

FIG. 4 is a right side elevation view of the food product shown in FIG. 1;

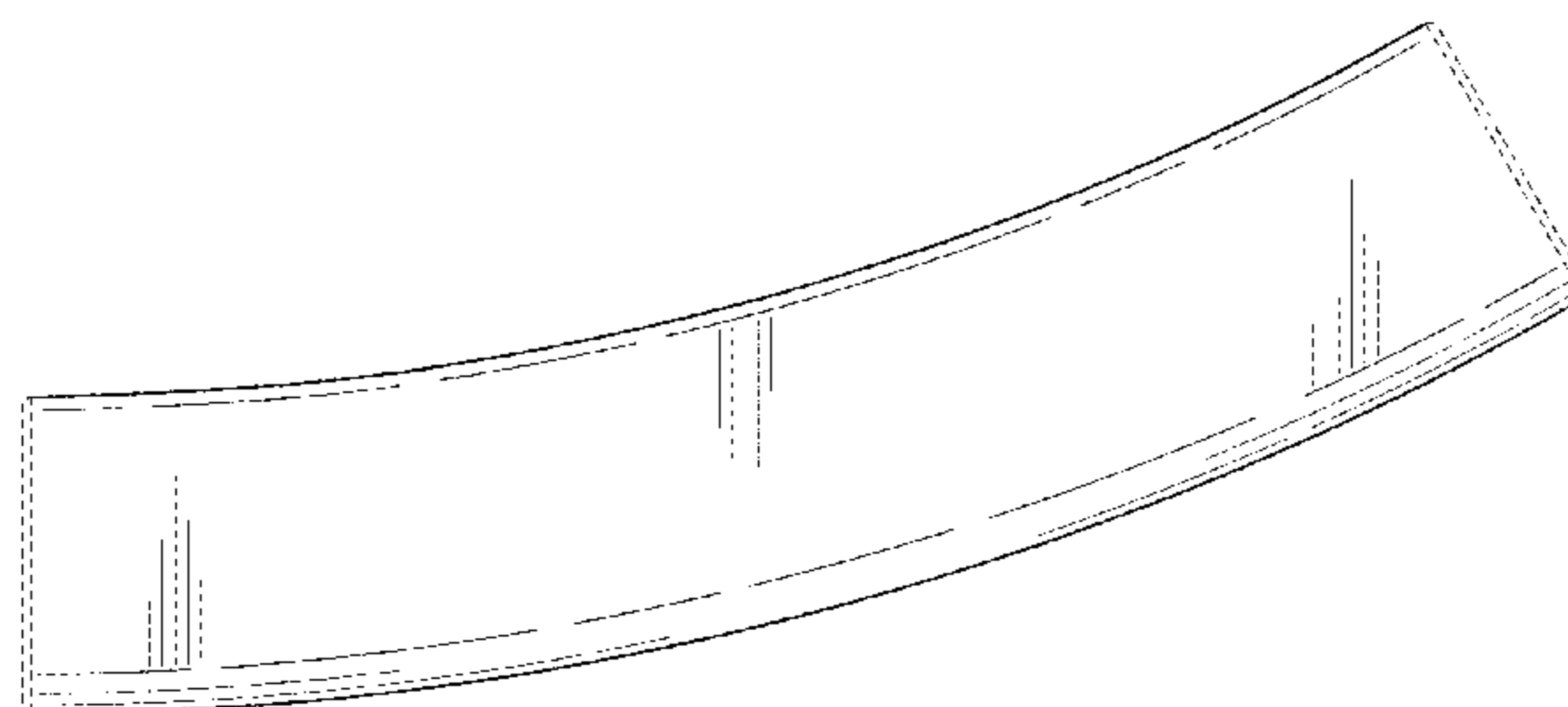
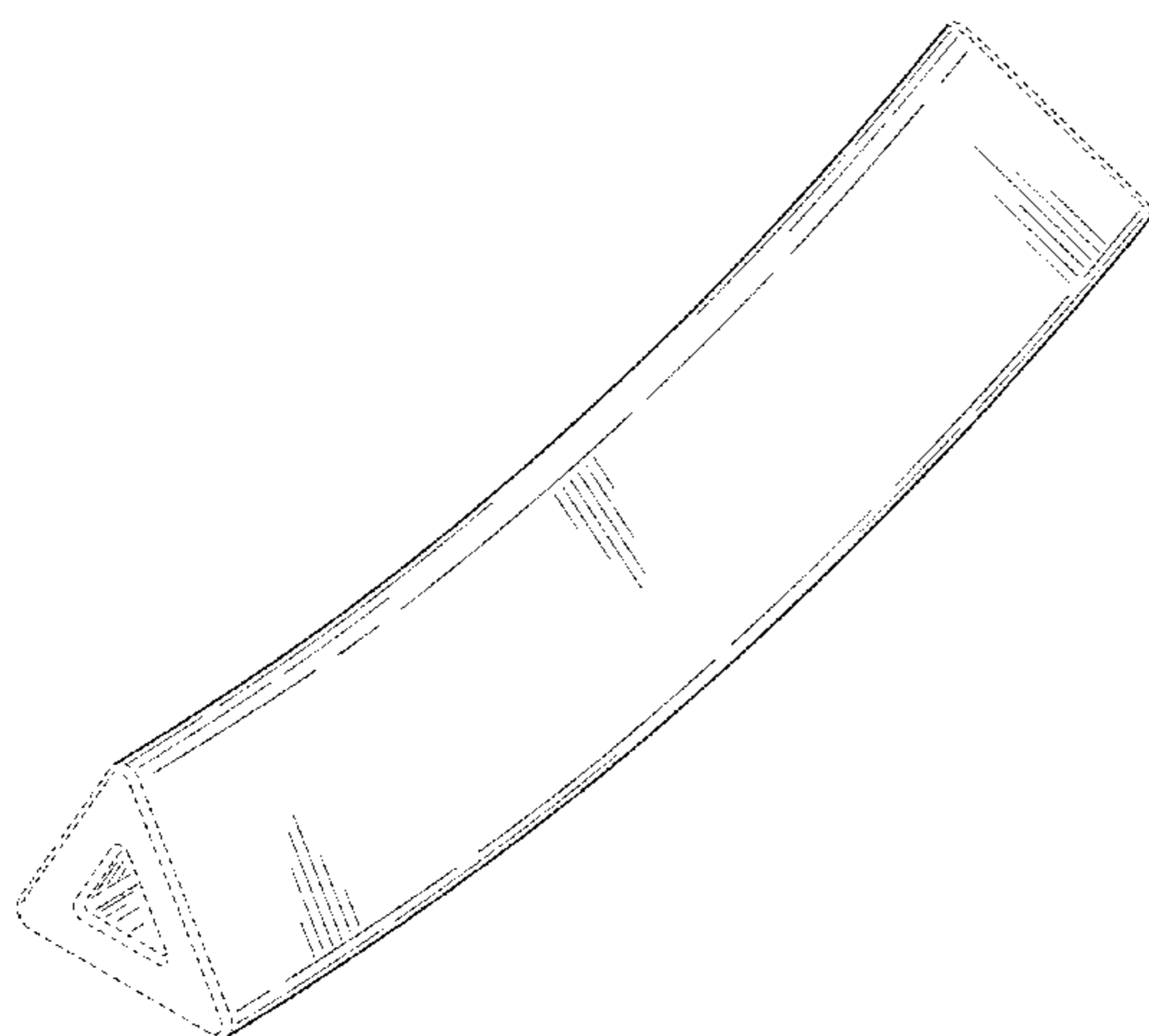
FIG. 5 is a left side elevation view of the food product shown in FIG. 1;

FIG. 6 is a top plan view of the food product shown in FIG. 1; and,

FIG. 7 is a bottom plan view of the food product shown in FIG. 1.

The broken lines shown in FIGS. 1-7 illustrate portions of the food product that form no part of the claimed design.

**1 Claim, 3 Drawing Sheets**



(56)

References Cited

U.S. PATENT DOCUMENTS

D249,723 S \* 9/1978 Cosman ..... D21/386  
 D249,724 S \* 9/1978 Cosman ..... D21/386  
 4,849,266 A \* 7/1989 Dwivedi ..... B22D 19/00  
 164/98  
 D392,435 S \* 3/1998 Mocking ..... D1/120  
 D418,881 S \* 1/2000 Cousins ..... D21/681  
 D473,348 S \* 4/2003 Lang ..... D1/199  
 D485,046 S \* 1/2004 Hague ..... 426/104  
 D485,661 S \* 1/2004 Harris ..... A01K 15/026  
 D1/122  
 D500,579 S 1/2005 Tansey et al.  
 D516,276 S \* 3/2006 Unlu ..... D1/199  
 D532,583 S \* 11/2006 Townsend ..... D1/122  
 D537,892 S \* 3/2007 Moses ..... D21/662  
 D558,444 S \* 1/2008 Ma ..... D3/6  
 D576,721 S \* 9/2008 Nishio ..... D23/393  
 D586,454 S \* 2/2009 Nishio ..... D23/393  
 D686,192 S \* 7/2013 Widner ..... D14/212  
 D708,417 S \* 7/2014 Allen ..... D1/106  
 D726,477 S \* 4/2015 Buck ..... D7/300.2  
 D746,541 S \* 1/2016 Sambashivan ..... D1/120  
 D771,054 S \* 11/2016 King ..... D14/447  
 D802,880 S \* 11/2017 Mathew ..... D1/128  
 2005/0151407 A1 \* 7/2005 Tai ..... A47C 1/143  
 297/344.1

FOREIGN PATENT DOCUMENTS

JP 0001223959 10/2004  
 JP D1224610 10/2004  
 JP D1224774 10/2004  
 KR 300470351 11/2007  
 RO DM076390 2/2012  
 WO 8806851 A1 9/1988

OTHER PUBLICATIONS

“Triangle Noodle Detergent Speckles.” Sichuan Faith and Fortune Trading Co., Ltd. Mar. 3, 2014. Web. Dec. 29, 2017. <[https://scdxst.en.ec21.com/Triangle\\_Noodle\\_Detergent\\_Speckles--8785251\\_8909349.html](https://scdxst.en.ec21.com/Triangle_Noodle_Detergent_Speckles--8785251_8909349.html)>.\*  
 “Pencil Grip 101.” The Anonymous OT. Apr. 19, 2013. Web. Dec. 29, 2017. <<https://theanonymousot.com/2013/04/19/pencil-grip-101/>>.\*  
 “Those that Wait.” Meridian Financial Partners. Apr. 3, 2016. Web. Dec. 29, 2017. <<https://meridianfinancialpartners.com/2016/08/03/those-that-wait/>>.\*  
 Petsmart, accessed Aug. 27, 2017, 1999-2008, Web Page, 2 pgs. Summer Jun. 2005 The Unbeatable Selection and Value Your Business Needs!, pp. 207.  
 “More than Slightly Obsessed Hi I’m Skinny Sticks Review”, Published: Aug. 17, 2013, Retrieved: Nov. 21, 2017, from: <http://cleaneatingveggiegirl.com/2013/08/17/more-than-slightly-obsessed-hi-im-skinny-sticks-review/>.

\* cited by examiner

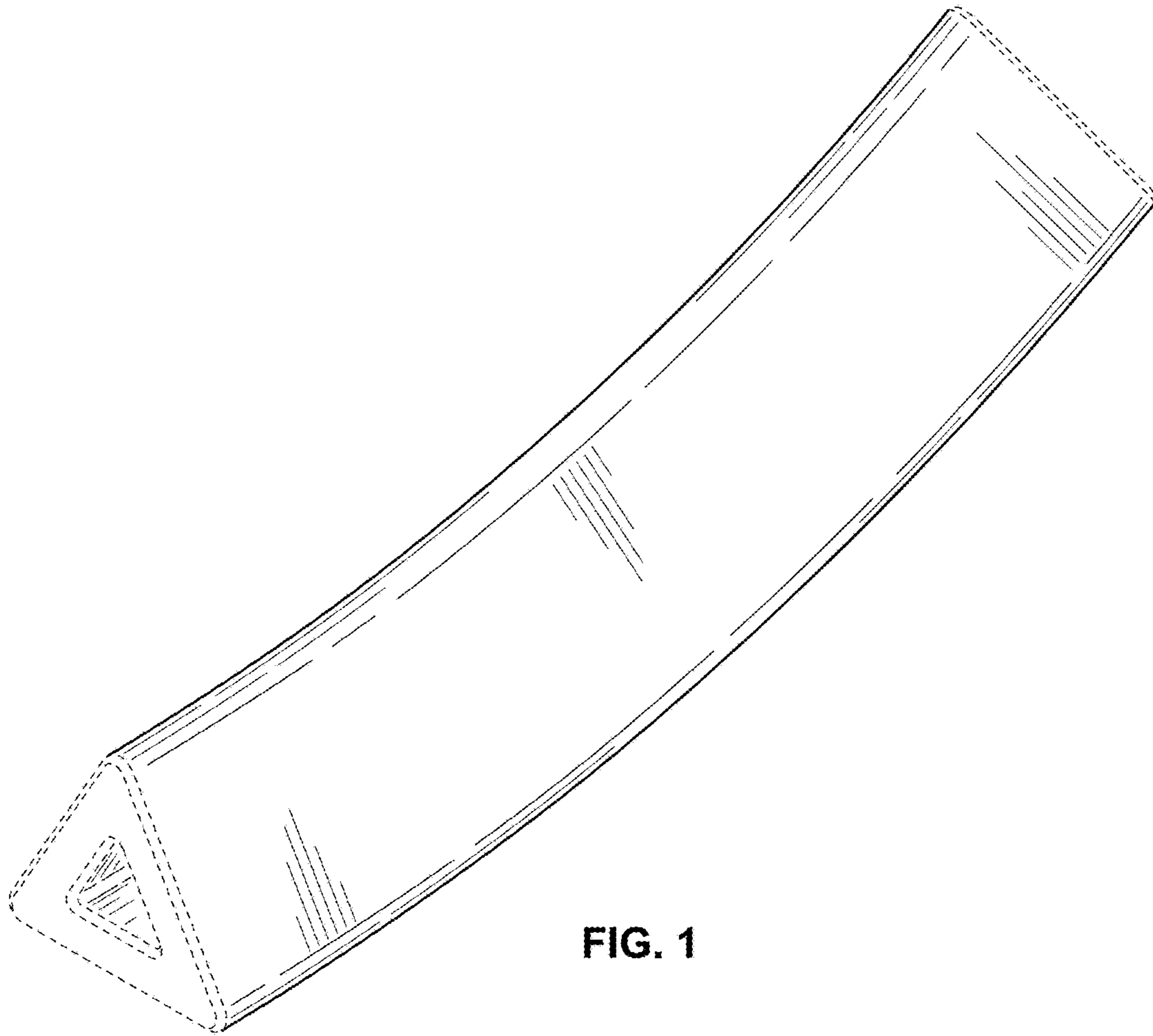


FIG. 1

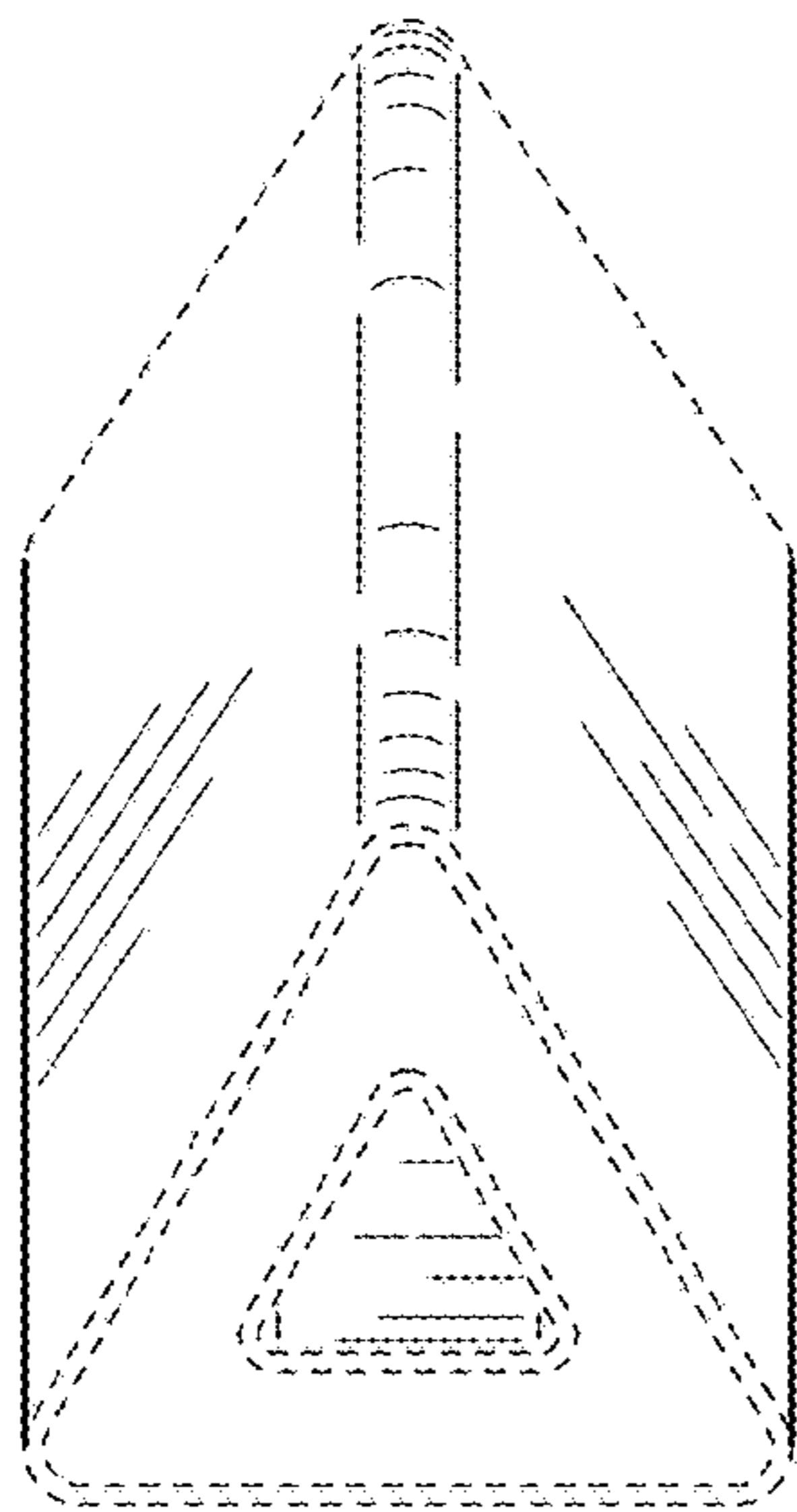


FIG. 2

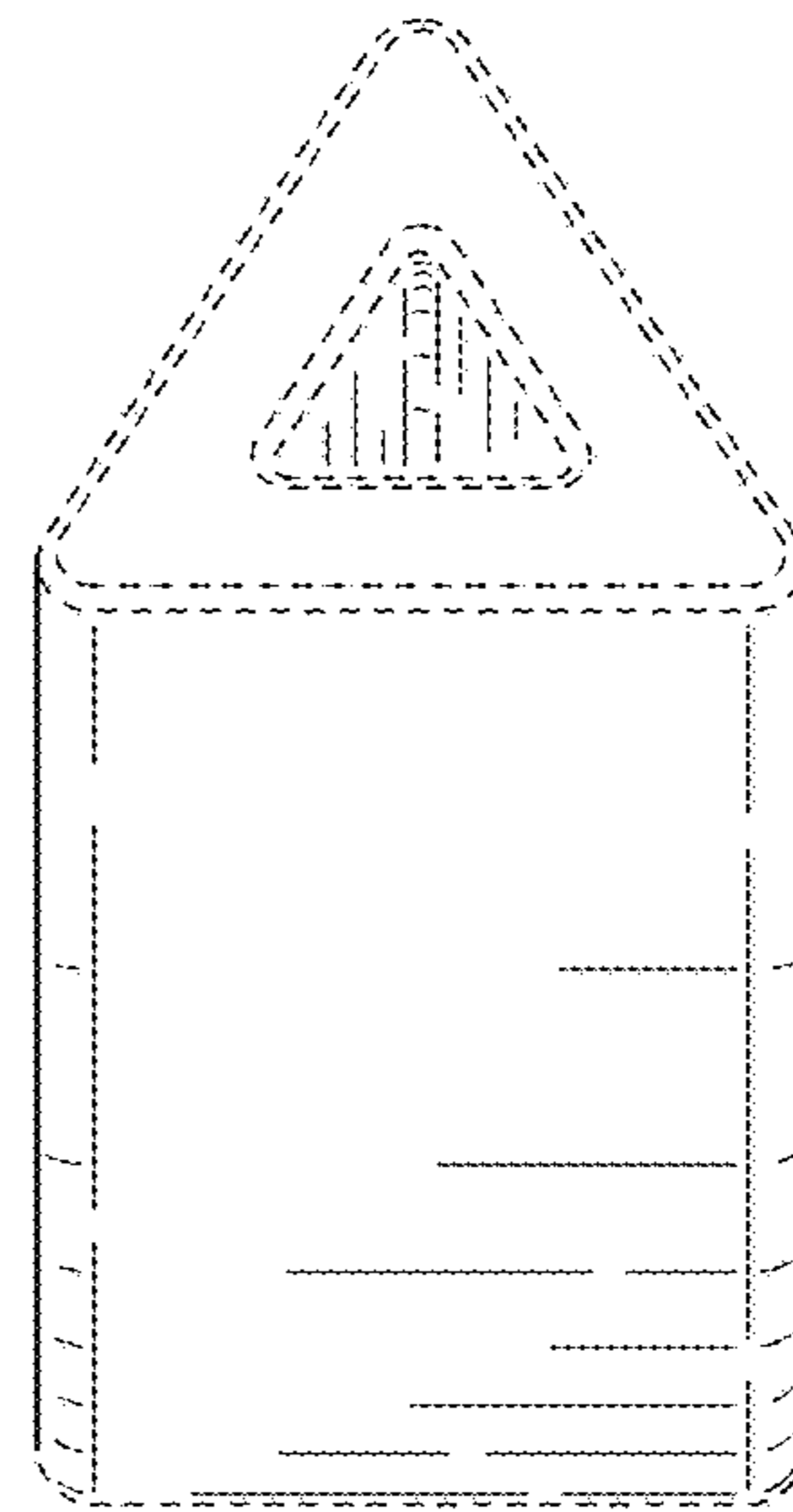


FIG. 3

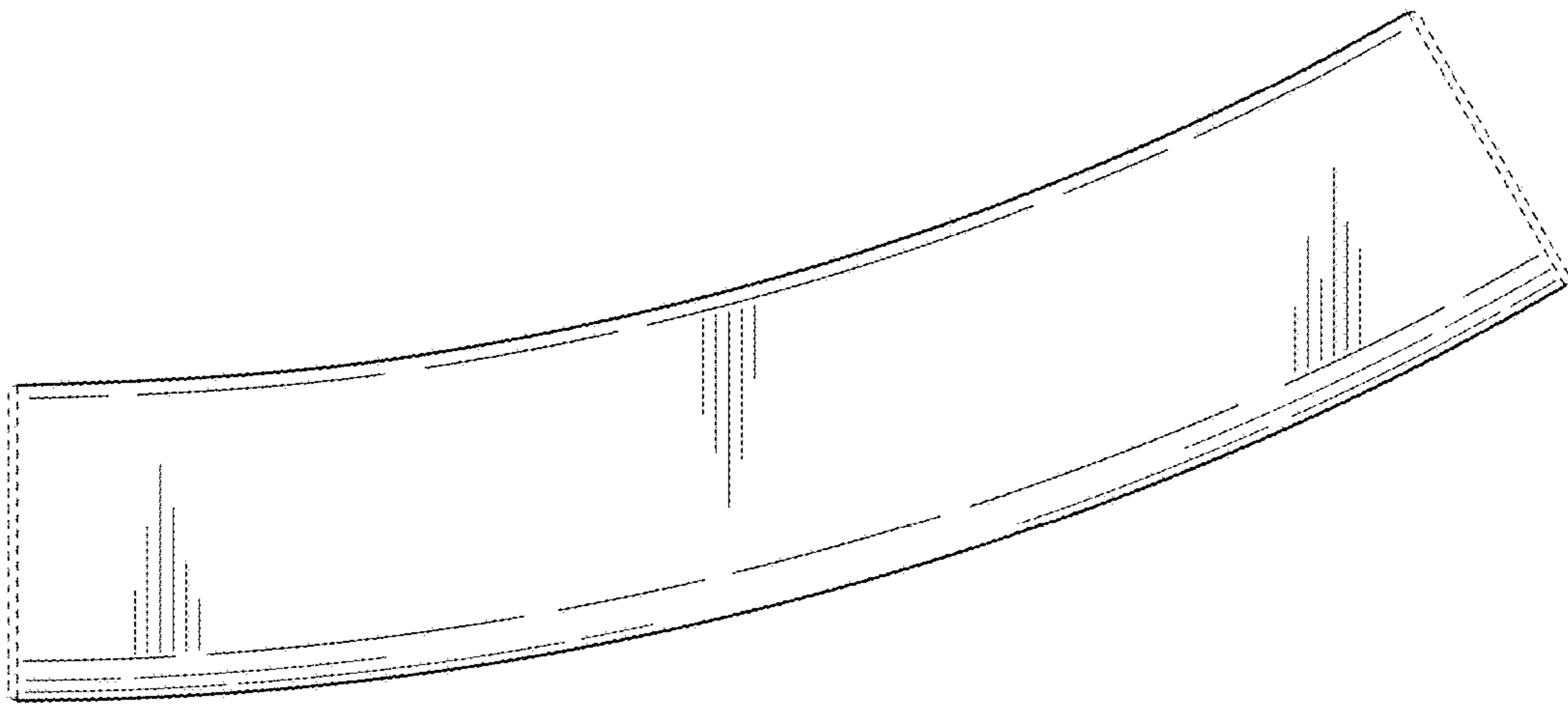


FIG. 4

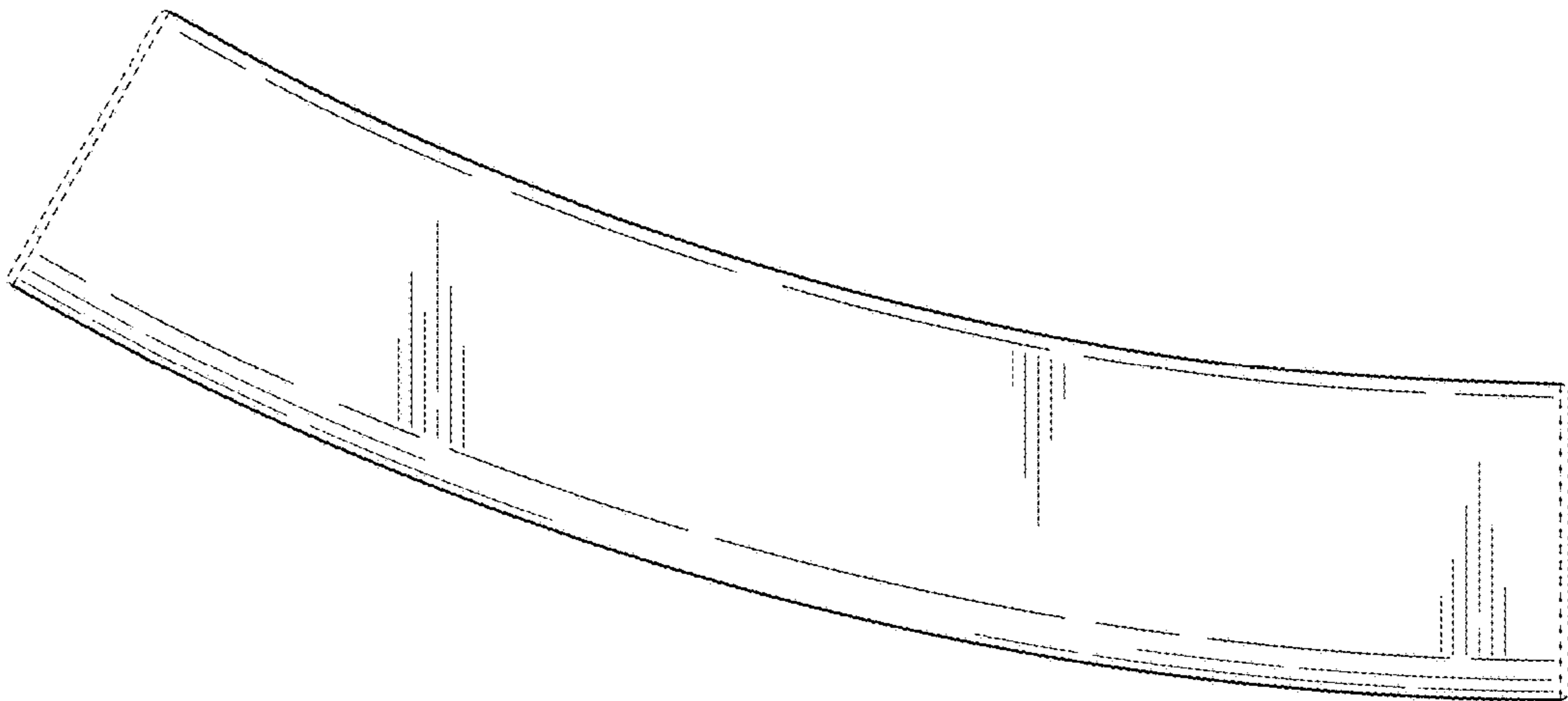


FIG. 5

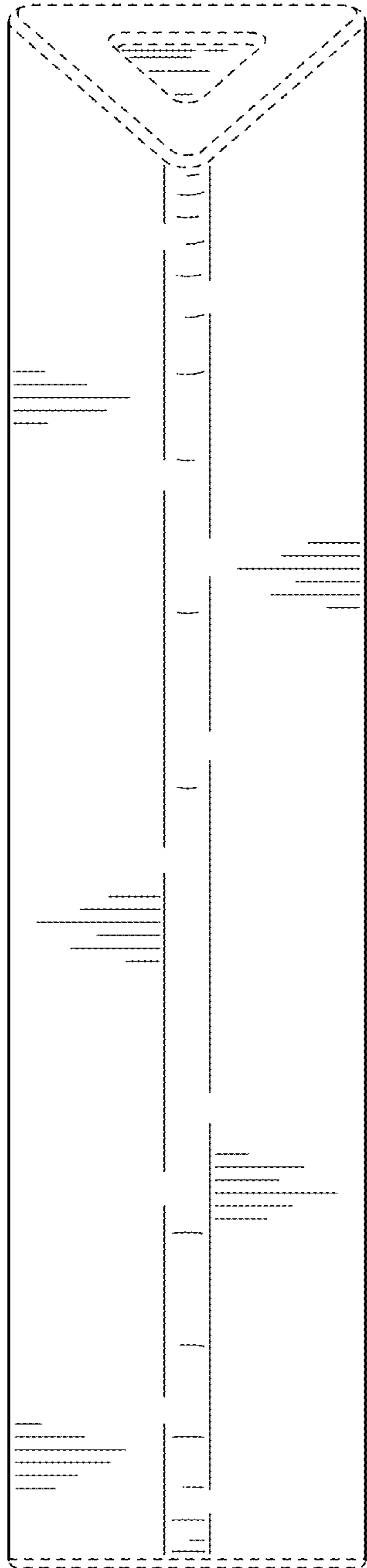


FIG. 6

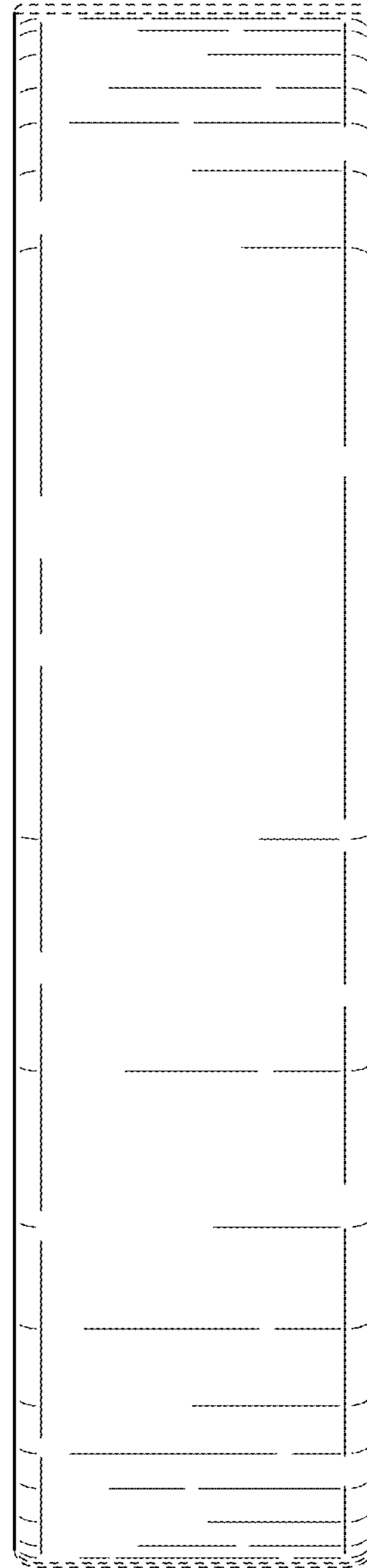


FIG. 7