



US00D822303S

(12) **United States Design Patent**
Paino et al.

(10) **Patent No.:** **US D822,303 S**
(45) **Date of Patent:** **** Jul. 3, 2018**

(54) **WHEELBARROW**

(71) Applicant: **MSP Innovations Pty Ltd**, Essendon,
Victoria (AU)

(72) Inventors: **Michael Paino**, Niddrie (AU); **Paul Davies**, Flemington (AU)

(**) Term: **15 Years**

(21) Appl. No.: **29/593,652**

(22) Filed: **Feb. 10, 2017**

(30) **Foreign Application Priority Data**

Aug. 11, 2016 (AU) 201614353

(51) **LOC (11) Cl.** **12-02**

(52) **U.S. Cl.**
USPC **D34/16**

(58) **Field of Classification Search**
USPC D34/12, 16, 17, 18, 21, 24, 27;
280/47.31, 653, 47.26, 47.33, 242.1,
280/47.17, 659, 47.16, 47.34, 47.32, 47.3,
280/47.23, 47.19, 47.18; 298/2, 3;
D21/534; 180/19.1

CPC B62B 1/18; B62B 5/0438; B62B 1/00;
B62B 1/20; B62B 3/12; B62B 1/16;
B65D 2501/2421; B65D 25/04

See application file for complete search history.

(56) **References Cited**

U.S. PATENT DOCUMENTS

D354,381 S * 1/1995 Hirth, Jr. D34/16
D463,893 S * 10/2002 Hoffmann D34/16

D490,584 S * 5/2004 Stark D34/16
D569,573 S * 5/2008 Hyp D34/16
2004/0026898 A1 * 2/2004 Tomchak B62B 1/206
280/653
2015/0027794 A1 * 1/2015 Vandelinde B62B 5/0066
180/19.1

* cited by examiner

Primary Examiner — Cynthia Ramirez

Assistant Examiner — Gino Colan

(57) **CLAIM**

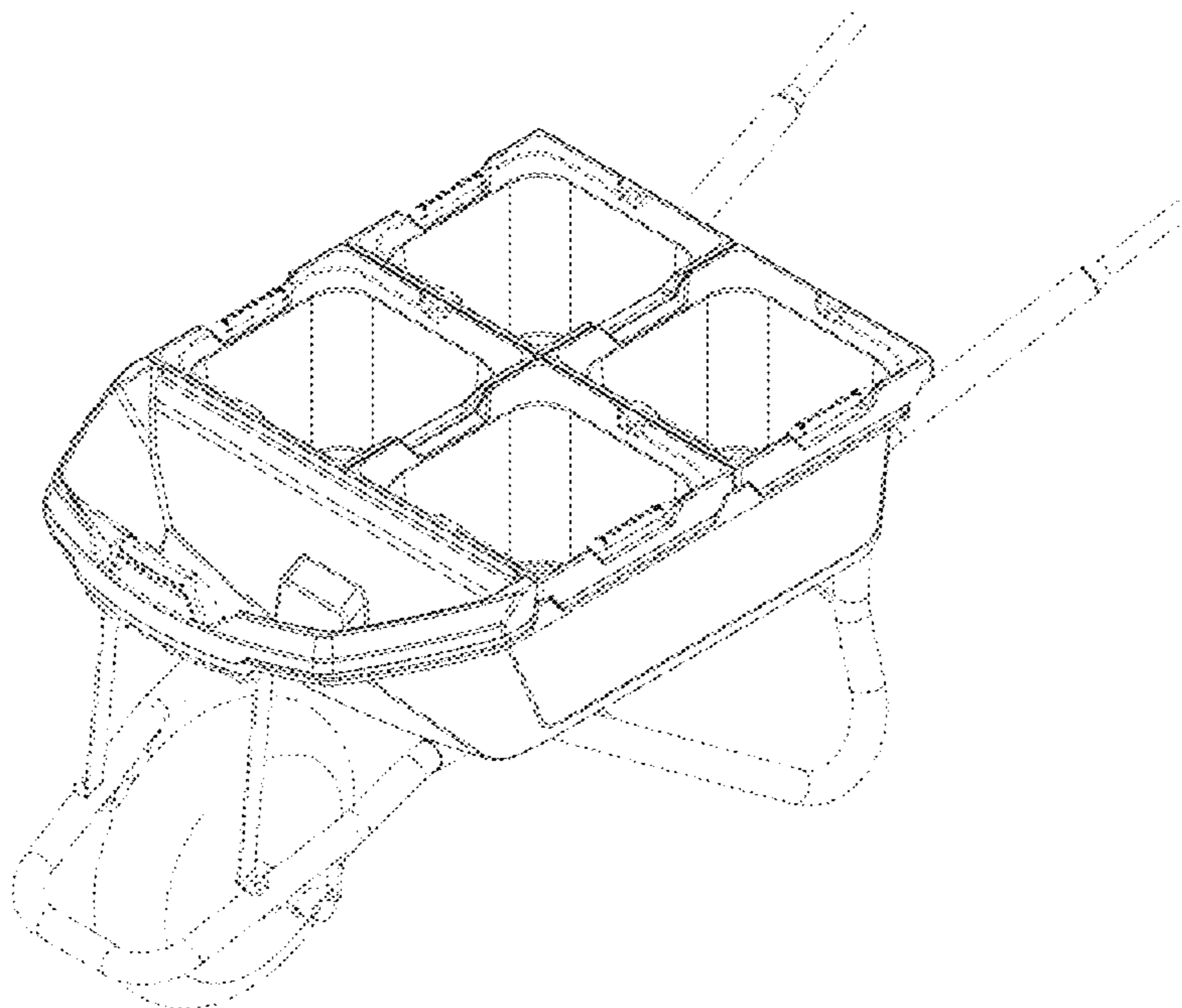
The ornamental design for a wheelbarrow, as shown and described.

DESCRIPTION

FIG. 1 is a front perspective view showing our new design; FIG. 2 is a rear perspective view thereof; FIG. 3 is a right side elevational view thereof; FIG. 4 is a left side elevational view thereof; FIG. 5 is a front elevational view thereof; FIG. 6 is a rear elevational view thereof; FIG. 7 is a bottom plan view thereof; and, FIG. 8 is a top plan view thereof.

The broken lines shown in the Figures are for the purpose of illustrating portions of the wheelbarrow and form no part of the claimed design.

1 Claim, 8 Drawing Sheets



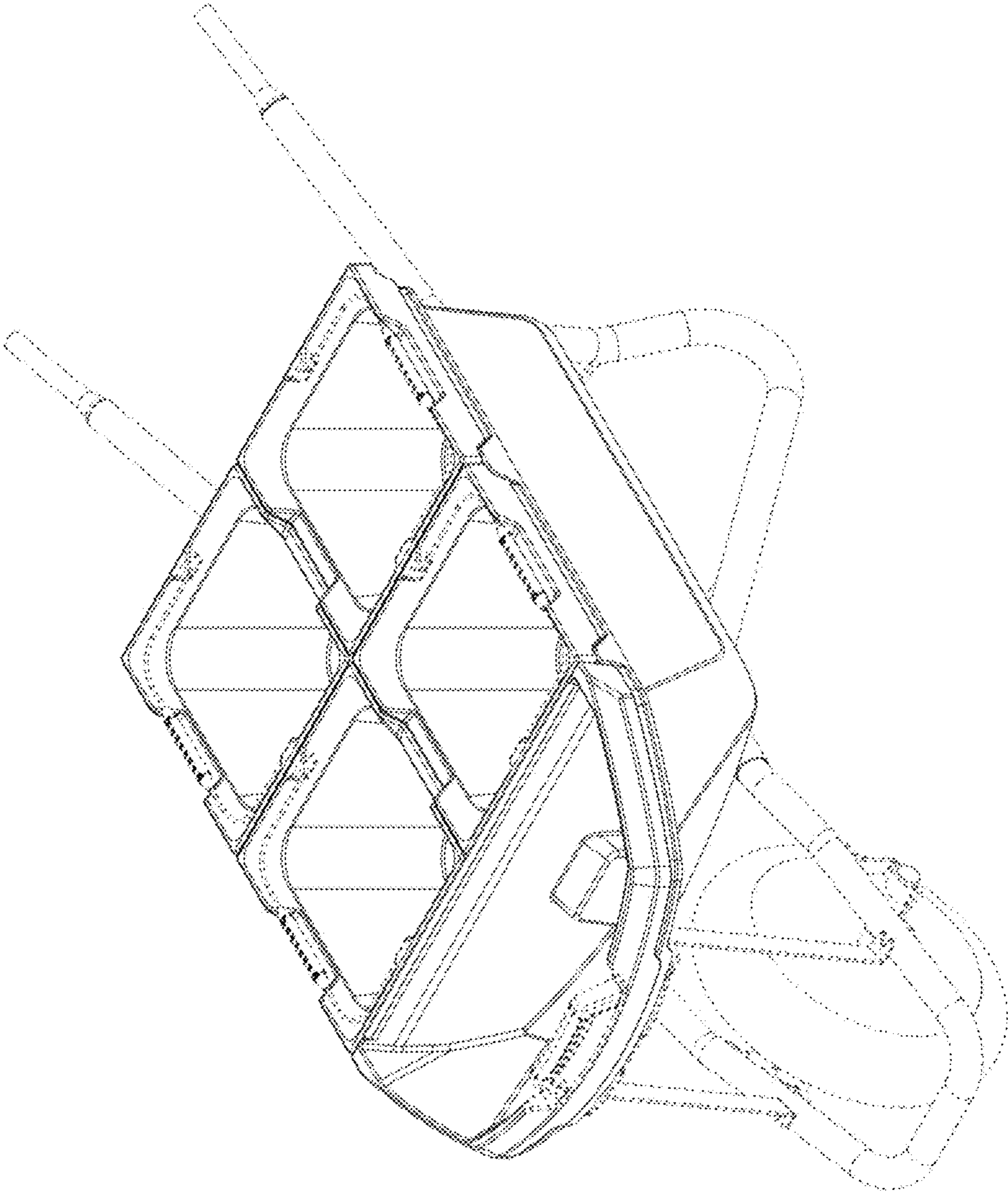


FIG. 1

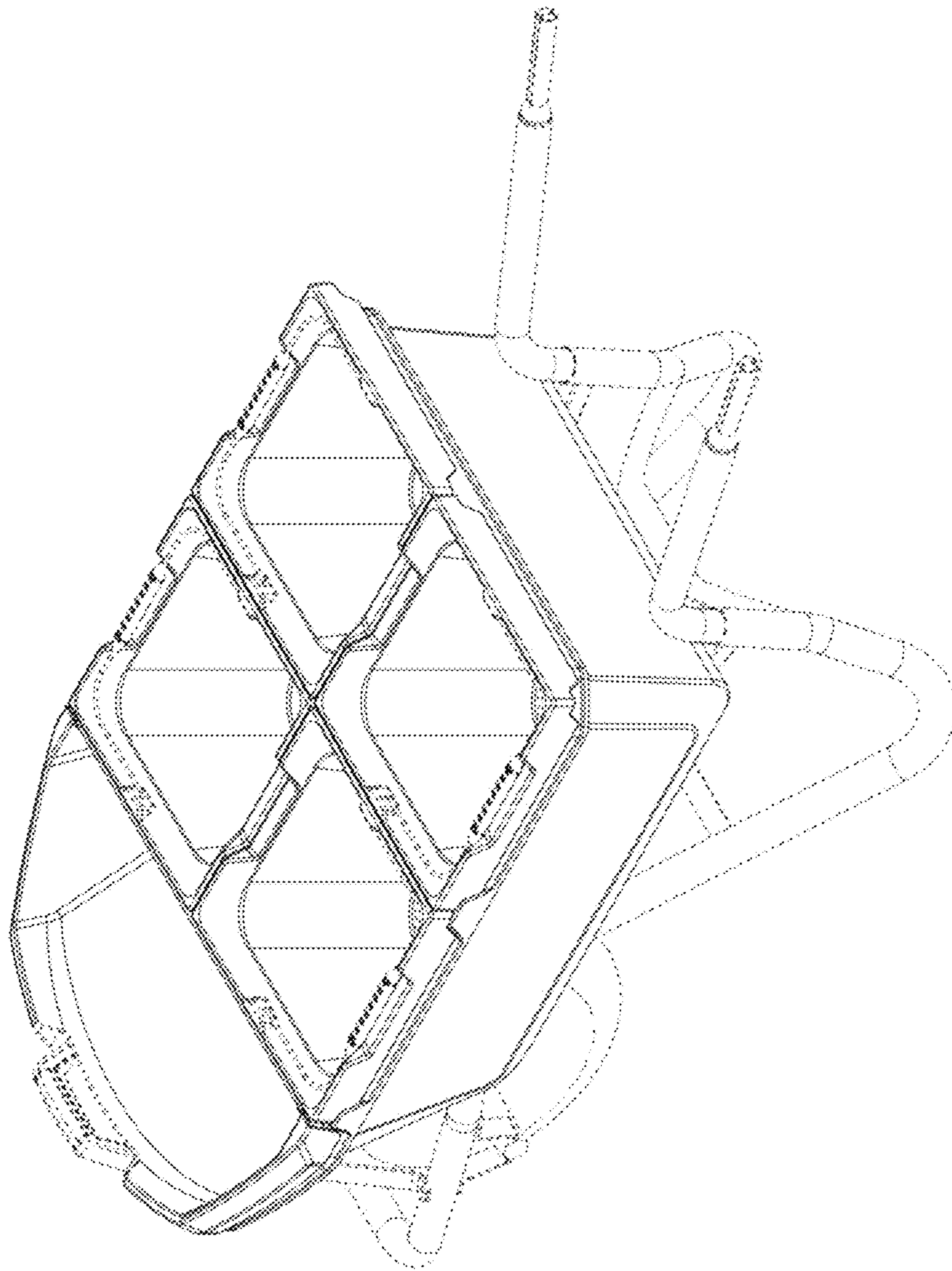


FIG. 2

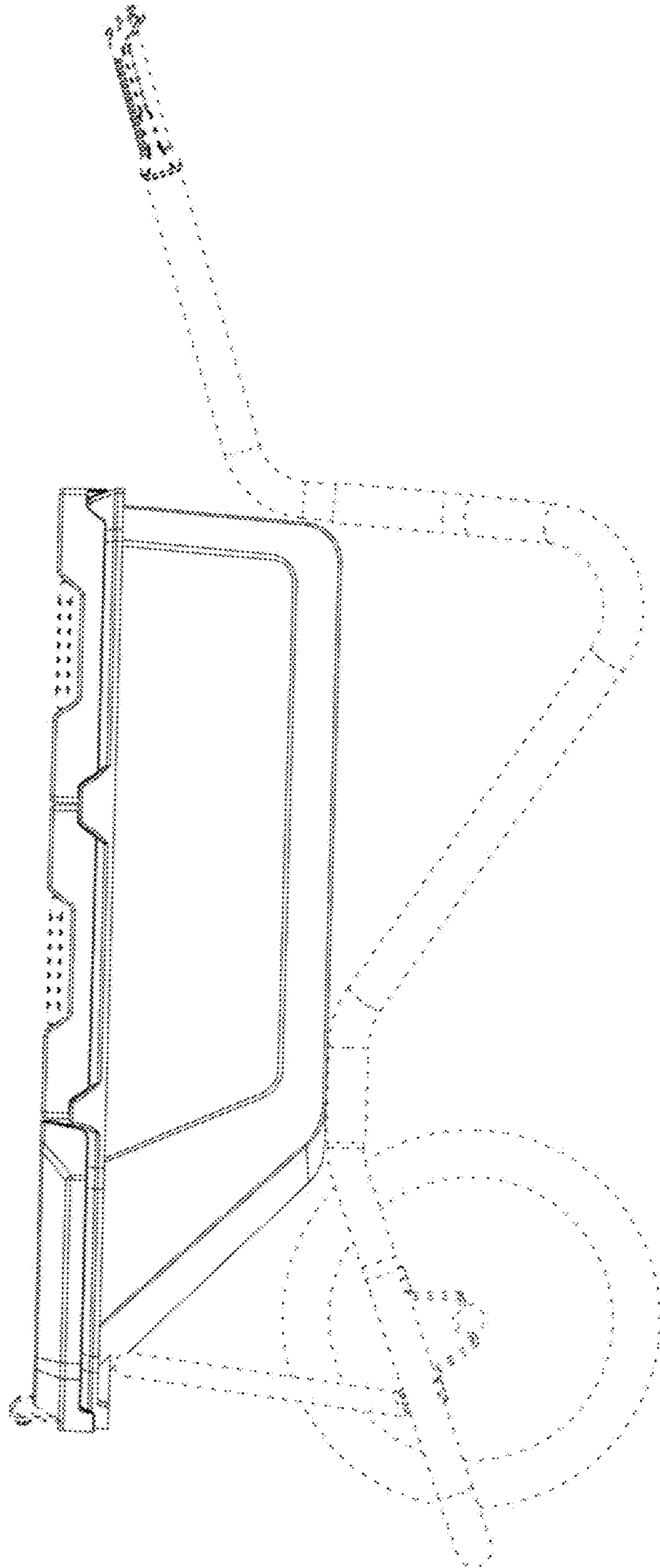


FIG. 3

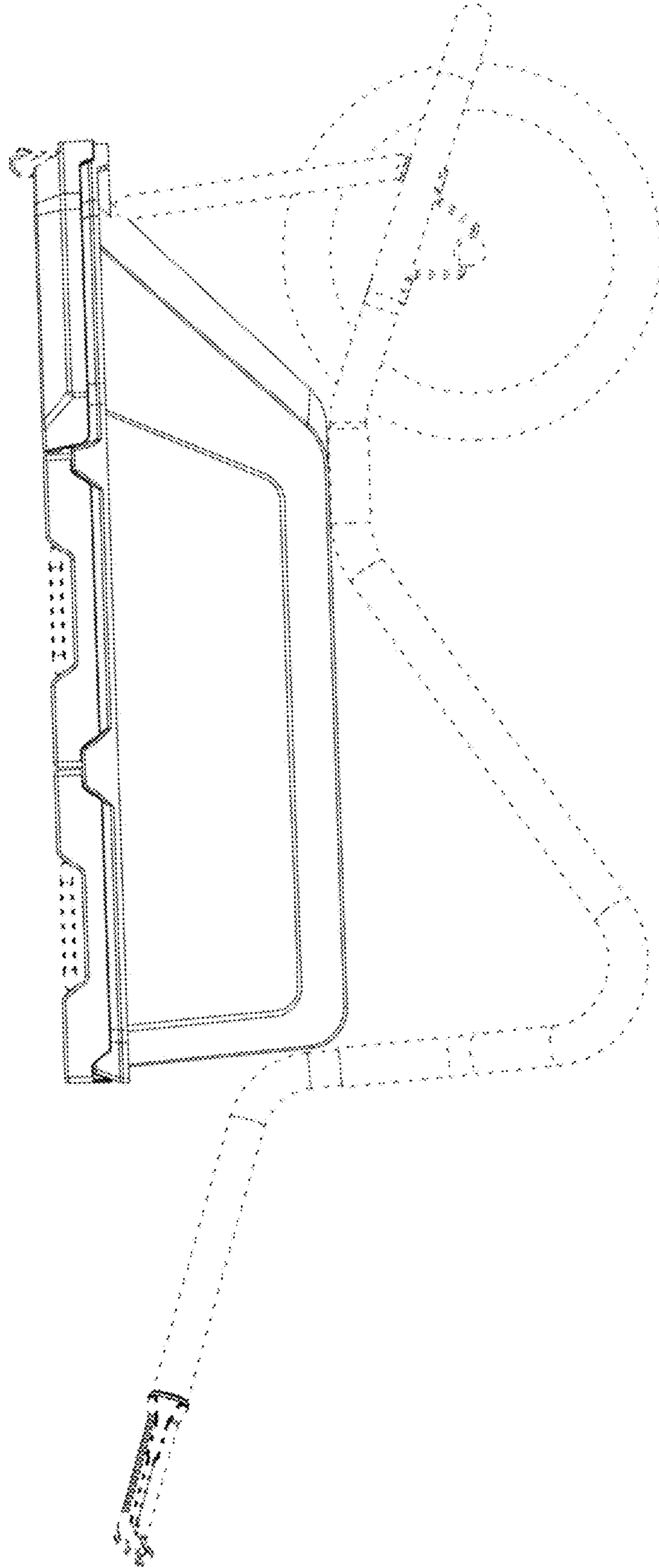


FIG. 4

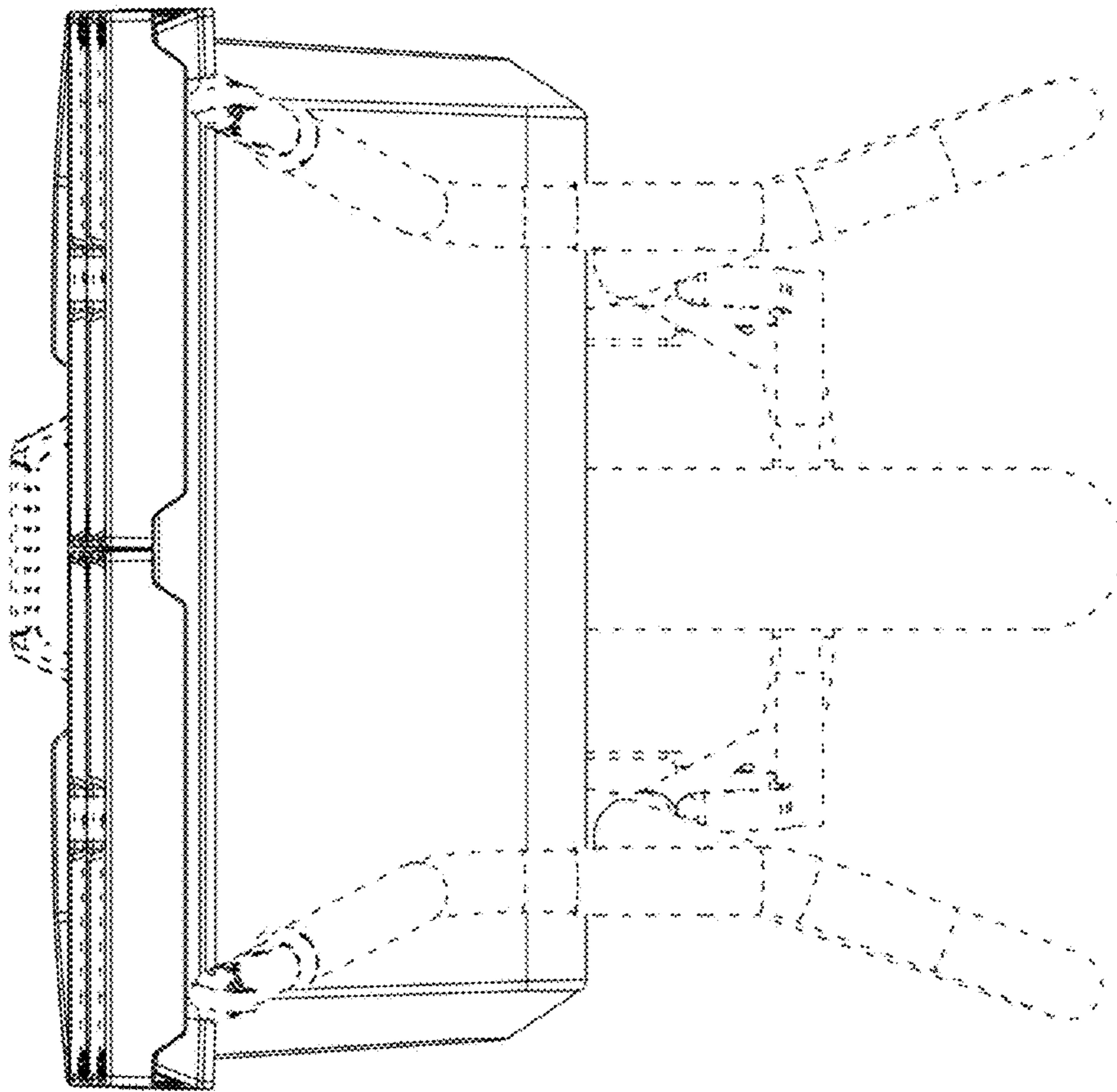


FIG. 5

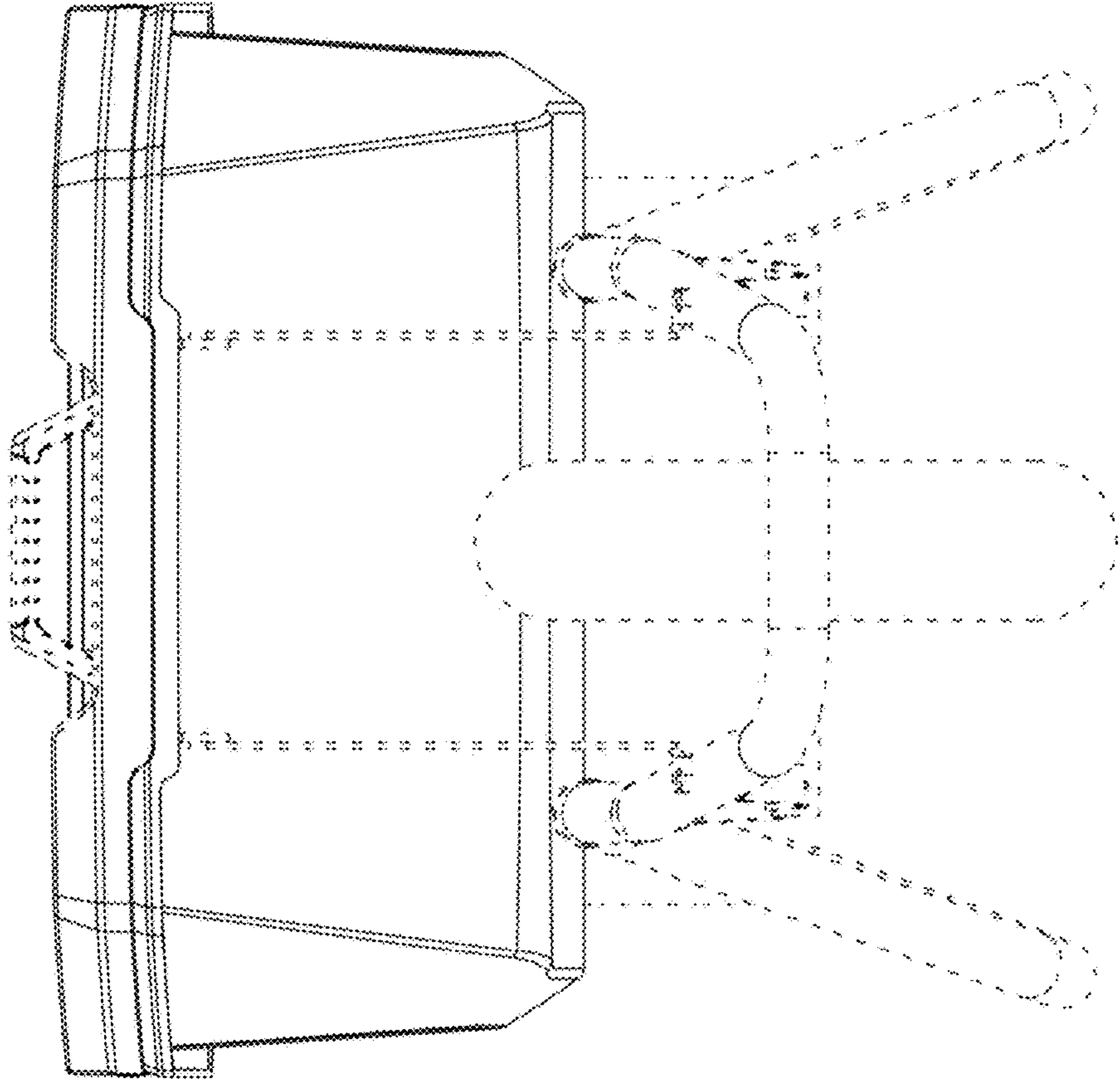


FIG. 6

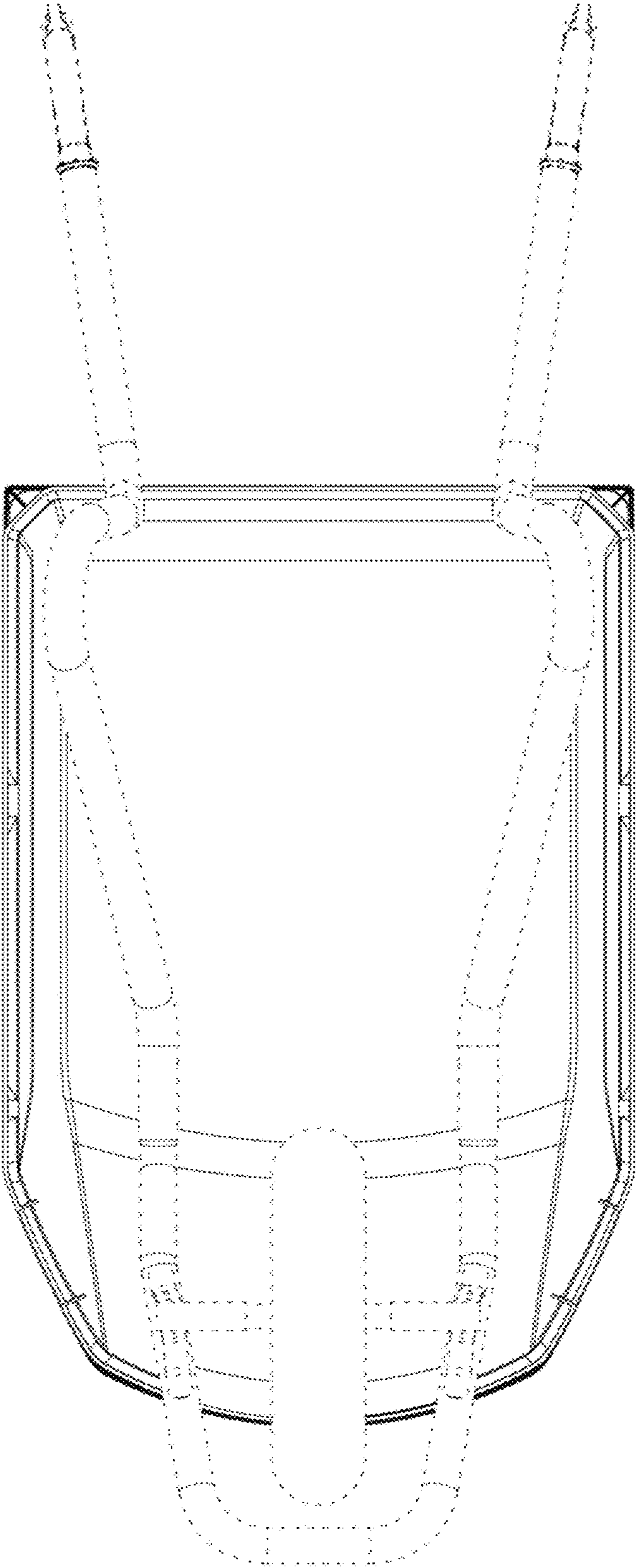


FIG. 7

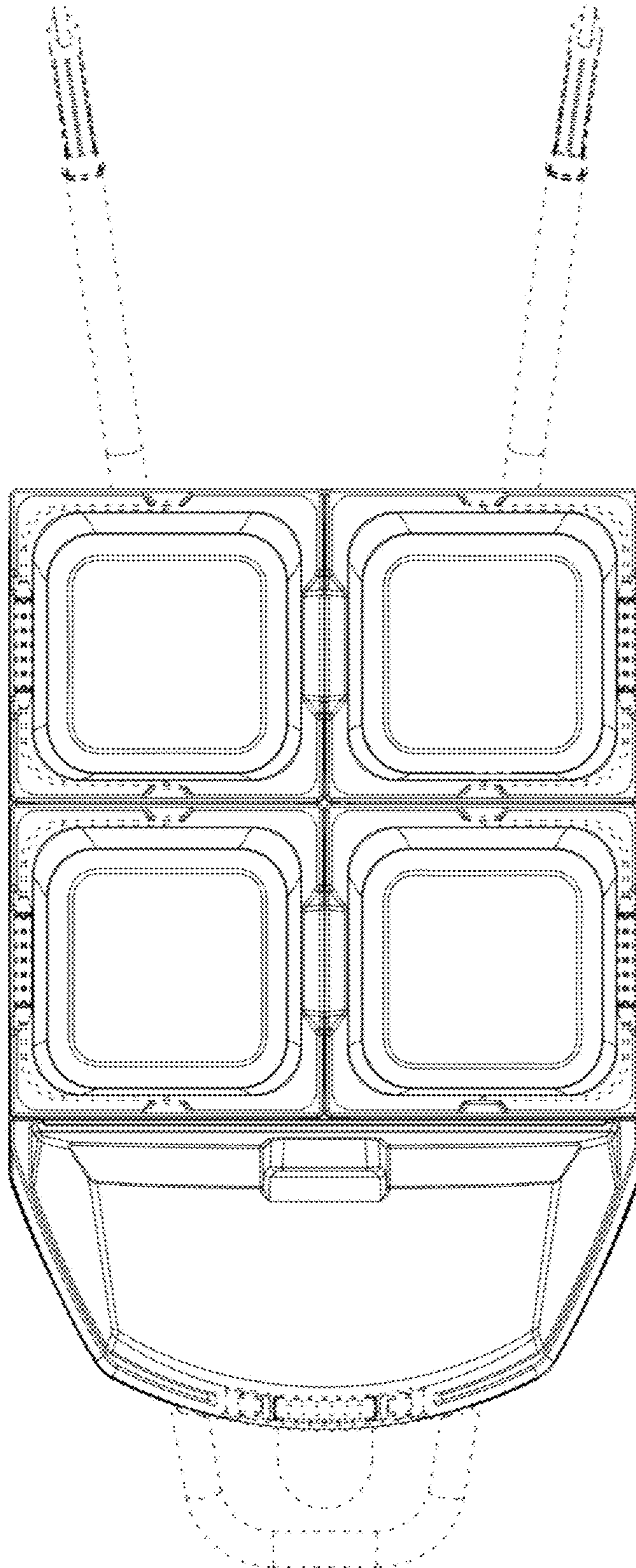


FIG. 8