



US00D822301S

(12) **United States Design Patent** (10) **Patent No.:** **US D822,301 S**
Ricks (45) **Date of Patent:** **** Jul. 3, 2018**

(54) **RECYCLABLES COLLECTION LID**

(71) Applicant: **Kynan A. Ricks**, San Diego, CA (US)

(72) Inventor: **Kynan A. Ricks**, San Diego, CA (US)

(**) Term: **15 Years**

(21) Appl. No.: **29/579,471**

(22) Filed: **Sep. 30, 2016**

(51) **LOC (11) Cl.** **09-09**

(52) **U.S. Cl.**
USPC **D34/7**

(58) **Field of Classification Search**
USPC 220/200, 203.1, 203.3, 213, 253,
220/262-265, 282, 694, 908-913, 908.1;
232/43.1; D34/1, 2, 3, 4, 5, 6, 7, 8, 9,
D34/10, 11; D7/601, 602, 629, 391;
D9/435, 436; D32/53; D3/318; D26/23;
D8/1
CPC B65F 1/16; Y10S 220/908
See application file for complete search history.

(56) **References Cited**

U.S. PATENT DOCUMENTS

4,291,815	A *	9/1981	Gordon	H01L 23/057	220/200
D310,029	S *	8/1990	Kea	D9/435	
D327,348	S *	6/1992	Skorheim	D34/11	
D330,165	S *	10/1992	Brochu	D9/435	
D474,402	S *	5/2003	Baerenwald	D9/432	
D603,168	S *	11/2009	Melhede	D3/318	
D627,088	S *	11/2010	Schwartz	D26/23	
7,954,664	B2 *	6/2011	Cronin	A45C 11/00	220/282
D660,997	S *	5/2012	Seum	D26/23	
D688,091	S *	8/2013	Golota	D9/435	
D729,477	S *	5/2015	Abuzarifah	D32/53	
D740,601	S *	10/2015	Carlson	D7/391	

D759,434	S *	6/2016	Duvigneau	D7/629	
2012/0127686	A1 *	5/2012	Hsu	H05K 5/0243	220/200
2016/0009473	A1 *	1/2016	Korinek	B65D 43/0222	220/200
2016/0200508	A1 *	7/2016	Thoma	B65F 1/163	220/263

* cited by examiner

Primary Examiner — Cynthia Ramirez
Assistant Examiner — Michael A Maharajh
(74) *Attorney, Agent, or Firm* — Dunlap Bennett & Ludwig PLLC

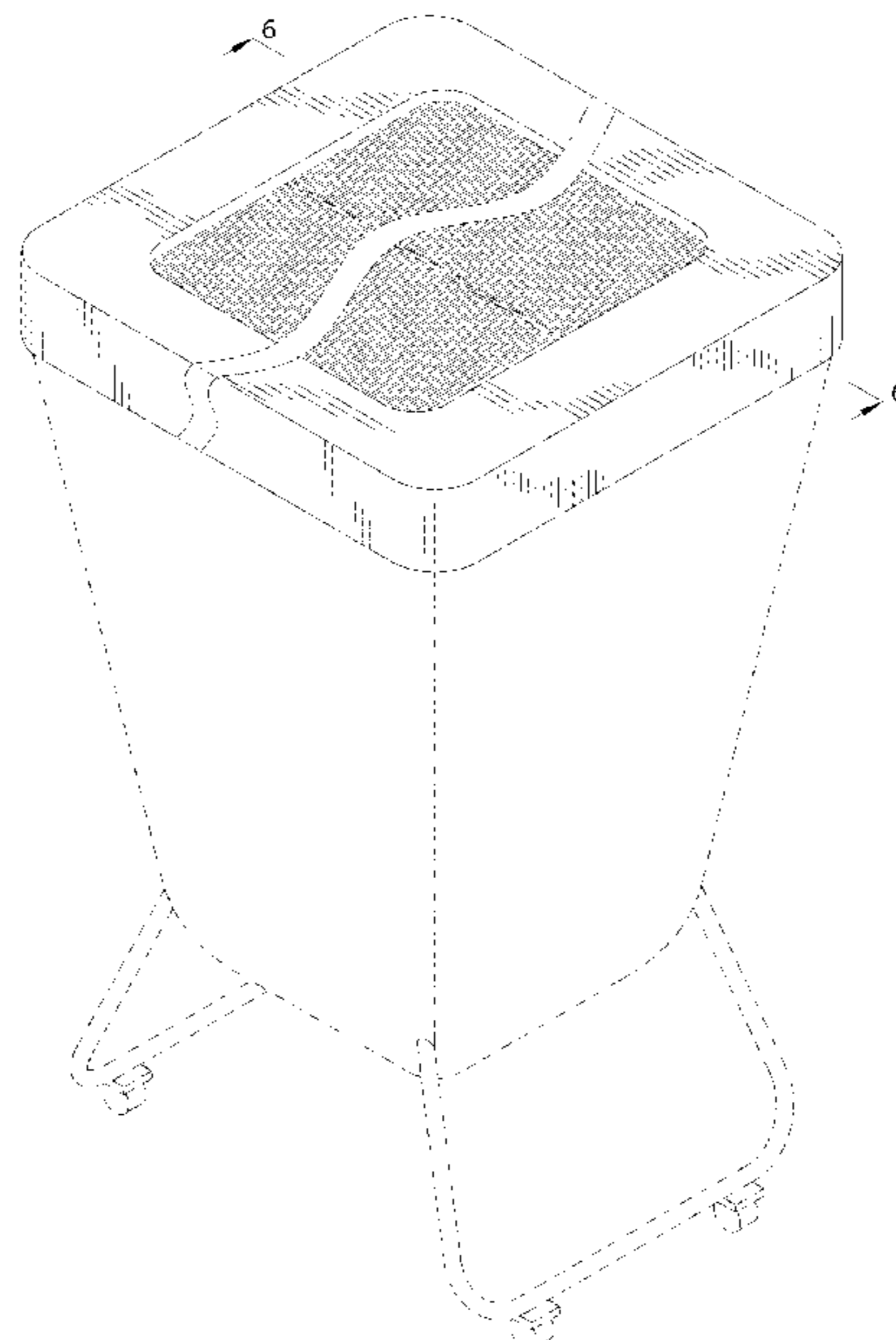
(57) **CLAIM**

The ornamental design for a recyclables collection lid, as shown and described.

DESCRIPTION

FIG. 1 is a perspective view of a recyclables collection lid, showing my new design;
FIG. 2 is a top plan view of FIG. 1;
FIG. 3 is a right elevation view of FIG. 1, the left elevation view of FIG. 1;
FIG. 4 is a bottom plan view of FIG. 1;
FIG. 5 is a front elevation view of FIG. 1, the rear elevation view being a mirror image thereof; and,
FIG. 6 is a partial cross-sectional view of FIG. 1, taken along line 6-6.
The broken lines showing the body and legs of the can in FIG. 1 depicts environmental subject matter which forms no part of the claimed design. The remaining broken lines shown in the drawings depict portions of the recyclables collection lid which form no part of the claimed design. The recyclables collection lid is shown with a symbolic break in its length. The appearance of any portion of the article between the break lines forms no part of the claimed design.

1 Claim, 4 Drawing Sheets



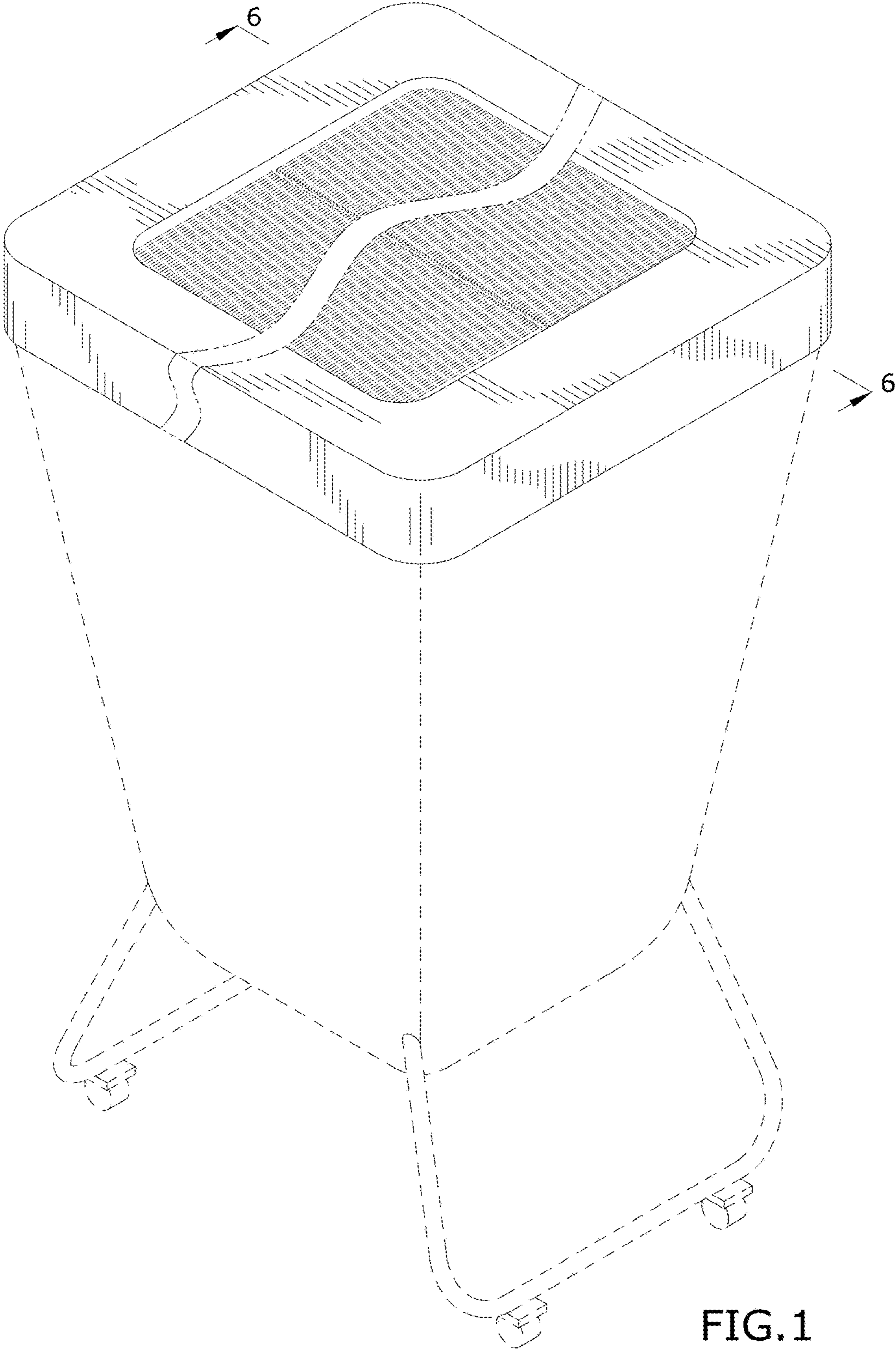


FIG. 1

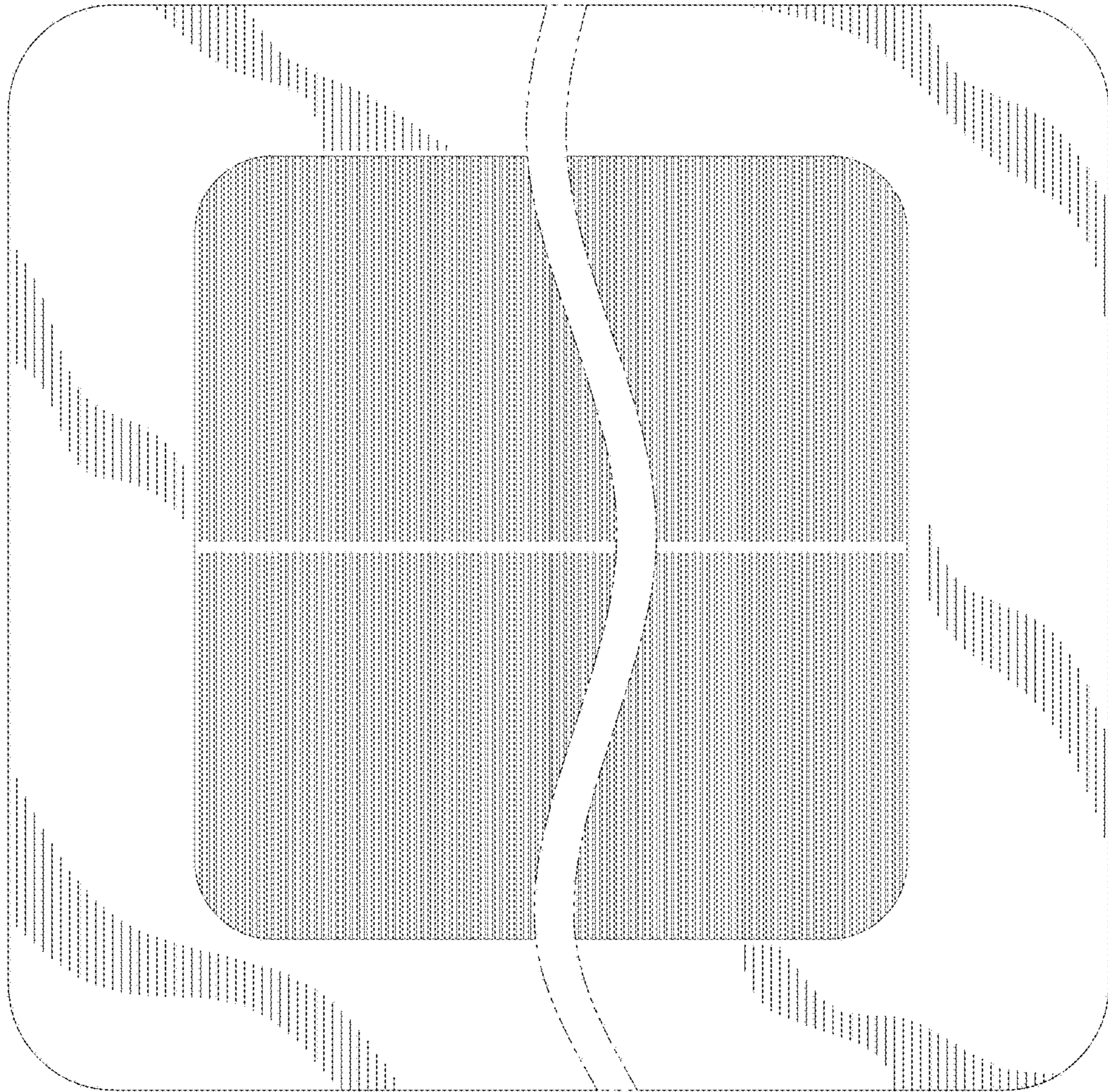


FIG. 2

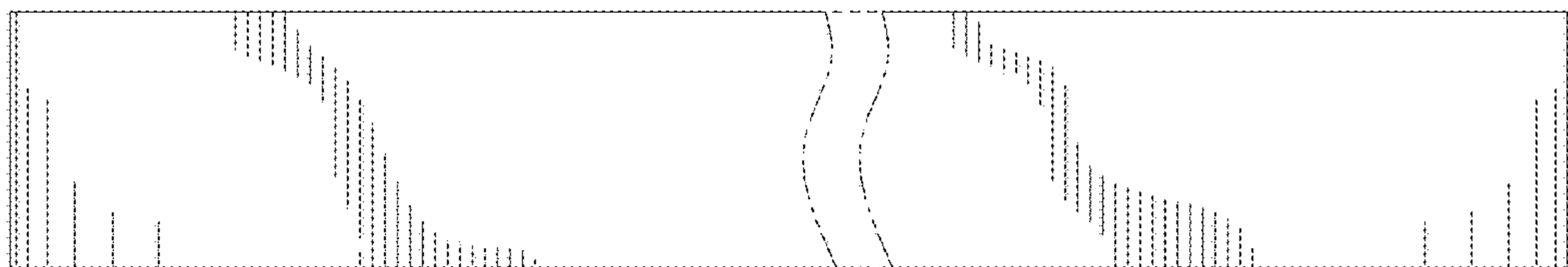


FIG. 3

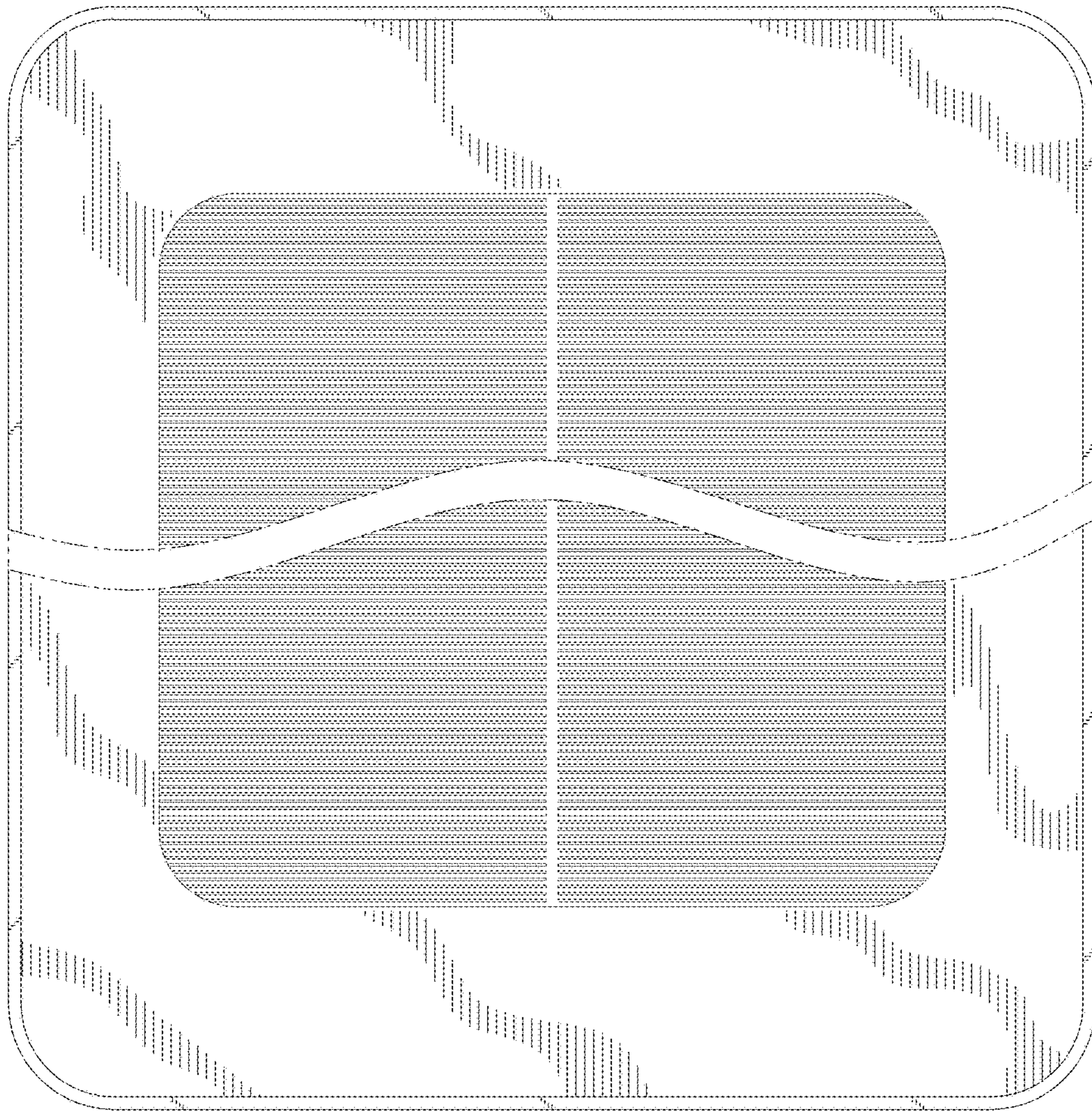


FIG. 4

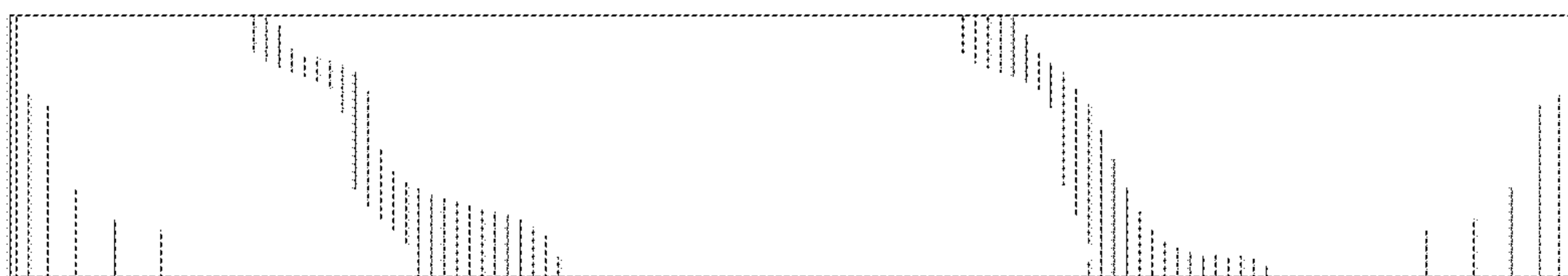


FIG. 5

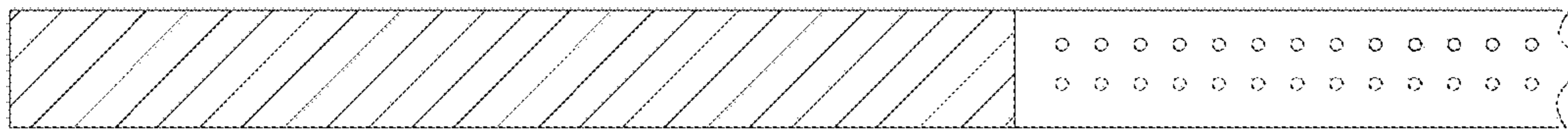


FIG.6