



US00D822299S

(12) **United States Design Patent**  
**Fair et al.**

(10) **Patent No.:** **US D822,299 S**

(45) **Date of Patent:** **\*\* Jul. 3, 2018**

(54) **MOP ASSEMBLY**

(71) Applicant: **Bona AB**, Malmo (SE)

(72) Inventors: **Paul Fair**, Denver, CO (US); **Jamie Kummerfield**, Denver, CO (US)

(73) Assignee: **BONA AB**, Malmo (SE)

(\*\*) Term: **15 Years**

(21) Appl. No.: **29/609,142**

(22) Filed: **Jun. 28, 2017**

(51) **LOC (11) Cl.** ..... **07-05**

(52) **U.S. Cl.**  
USPC ..... **D32/50**

(58) **Field of Classification Search**  
USPC ..... D32/40-45, 49-52, 21-25, 54; D4/116,  
D4/118, 137; D8/107, 10-11  
CPC ..... A47L 13/16-13/20; A47L 11/38; A47L  
11/00; A01K 61/00; A46B 7/04; A46B  
11/06; A46B 13/02; A46B 7/00; A46B  
5/00; A46B 13/00; B25G 1/00; B25G  
1/04; B25B 23/16

See application file for complete search history.

(56) **References Cited**

**U.S. PATENT DOCUMENTS**

D297,062 S *	8/1988	Miller	.....	D32/49
D297,275 S *	8/1988	Cook	.....	D32/44
D303,027 S *	8/1989	Gray	.....	D32/40
D409,343 S *	5/1999	Kingry	.....	A47L 13/254 D32/40
D423,742 S *	4/2000	Kingry	.....	A47L 13/254 D32/40
D467,396 S *	12/2002	Savage	.....	D32/51
D476,122 S *	6/2003	Bruggeman	.....	D32/45
D547,554 S *	7/2007	Ajluni	.....	D32/51
D561,417 S *	2/2008	Harper	.....	D32/40
D563,618 S *	3/2008	Jiang	.....	D32/50
D564,164 S *	3/2008	Harper	.....	D32/51
D584,871 S *	1/2009	Arvinte	.....	D32/49

D597,719 S *	8/2009	McNeil	.....	D32/51
D614,824 S *	4/2010	Heidel	.....	D32/52
D618,411 S *	6/2010	Crawford	.....	D32/40
D644,386 S *	8/2011	Tawara	.....	D32/51
D644,907 S *	9/2011	Blanchard	.....	D8/107
D653,826 S *	2/2012	Lee	.....	D32/50

(Continued)

**FOREIGN PATENT DOCUMENTS**

GB	4036755	*	8/2014
JP	D1116441	*	7/2001
JP	D1529454	*	7/2015

**OTHER PUBLICATIONS**

Ecolab, Item: Mop Handle, website 2018, <https://foodsafety.ecolab.com/en/us/compass/brown-knives/mop-handle>, site visited Feb. 2, 2018 (Year: 2018).\*

(Continued)

*Primary Examiner* — John Windmuller

*Assistant Examiner* — John R Yeh

(74) *Attorney, Agent, or Firm* — William P. O'Meara

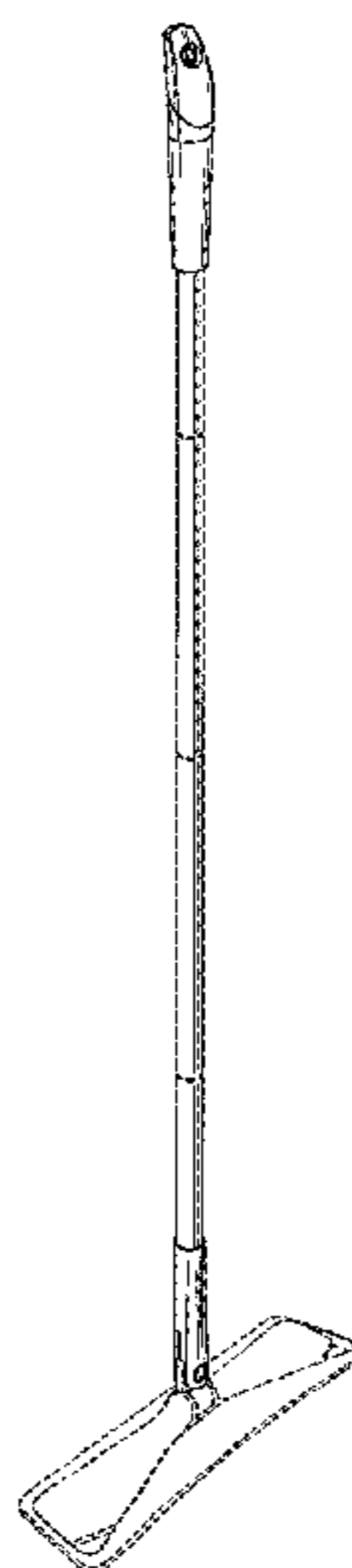
(57) **CLAIM**

The ornamental design for a mop assembly, as shown and described.

**DESCRIPTION**

FIG. 1 is a front view of a mop assembly showing our new design;  
FIG. 2 is a back view thereof;  
FIG. 3 is a left side elevation view thereof, the right side elevation view being a mirror image thereof;  
FIG. 4 is a top plan view thereof;  
FIG. 5 is a front isometric view thereof; and,  
FIG. 6 is a rear isometric view thereof.  
The broken lines in the drawings show features of the mop assembly that form no part of the claimed design.

**1 Claim, 2 Drawing Sheets**



(56)

**References Cited**

U.S. PATENT DOCUMENTS

D667,598	S *	9/2012	Menius	.....	D32/51
D670,150	S *	11/2012	Angel	.....	D8/107
D674,979	S *	1/2013	Girardot	.....	D32/35
D685,969	S *	7/2013	Smith	.....	D32/50
D698,112	S *	1/2014	Molinet	.....	D32/51
D699,412	S *	2/2014	Smith	.....	D32/50
D719,712	S *	12/2014	Widmer	.....	A46B 17/00
					D32/35
D746,009	S *	12/2015	Berti	.....	D32/51
9,307,883	B2 *	4/2016	Bober	.....	A47L 13/16
D789,637	S *	6/2017	Dobson, III	.....	D32/51
D792,044	S *	7/2017	Harrington	.....	D32/52
D794,890	S *	8/2017	Hoyle	.....	D32/52
2002/0042962	A1 *	4/2002	Willman	.....	A47L 13/16
					15/208
2009/0211045	A1 *	8/2009	Michelson	.....	B25G 1/04
					15/143.1
2013/0247322	A1 *	9/2013	Hasegawa	.....	A47L 13/256
					15/231

OTHER PUBLICATIONS

Iron Aluminium Telescopic Mop Handle, Alibaba website 2018, [https://www.alibaba.com/product-detail/iron-aluminium-Telescopic-Mop-handle-pole\\_8666 . . .](https://www.alibaba.com/product-detail/iron-aluminium-Telescopic-Mop-handle-pole_8666...), site visited Feb. 2, 2018 (Year: 2018).\*

\* cited by examiner

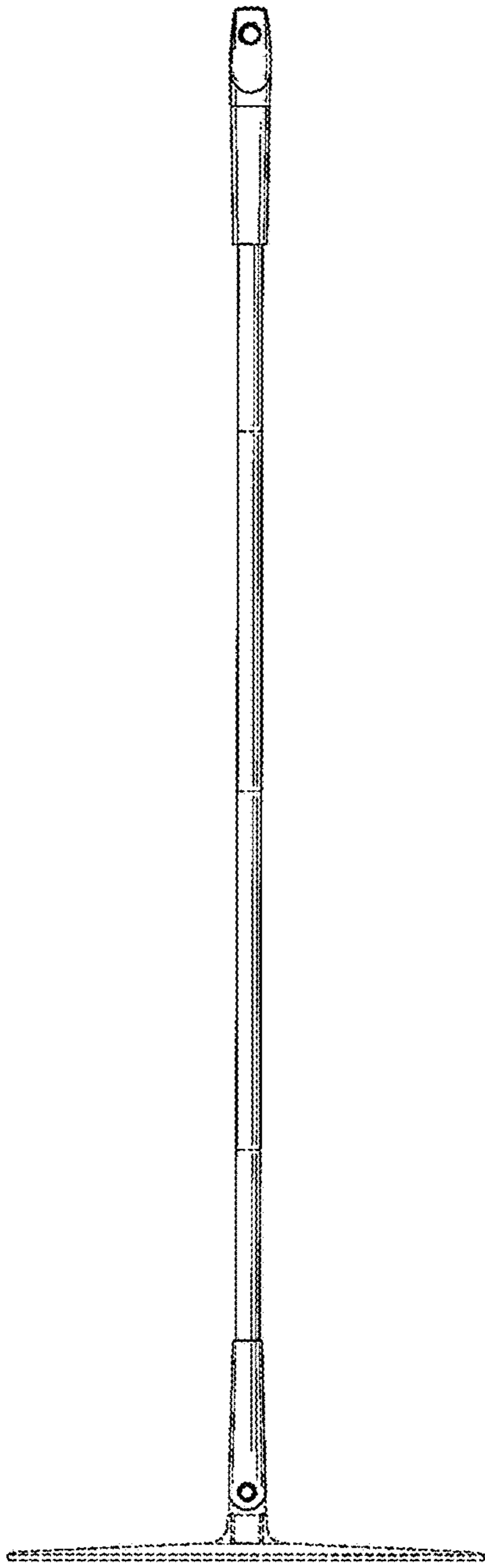


FIG.1

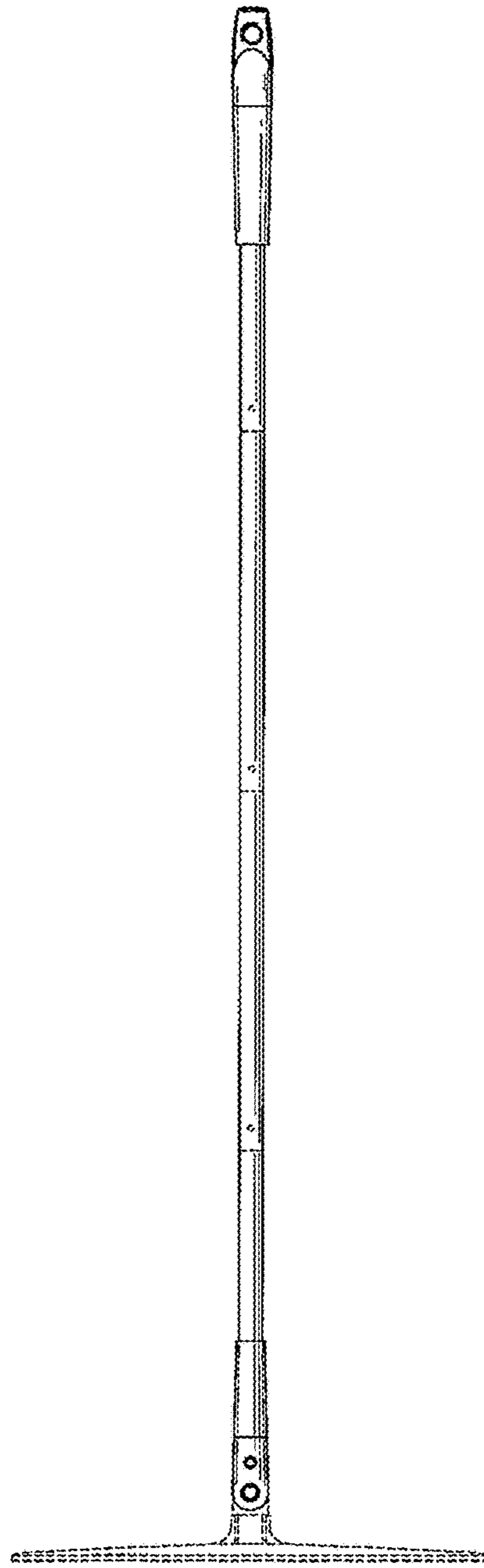


FIG.2

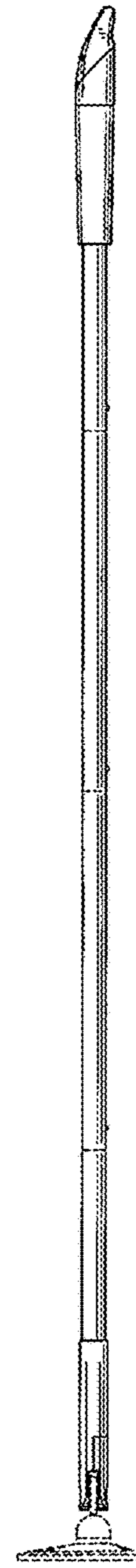


FIG.3

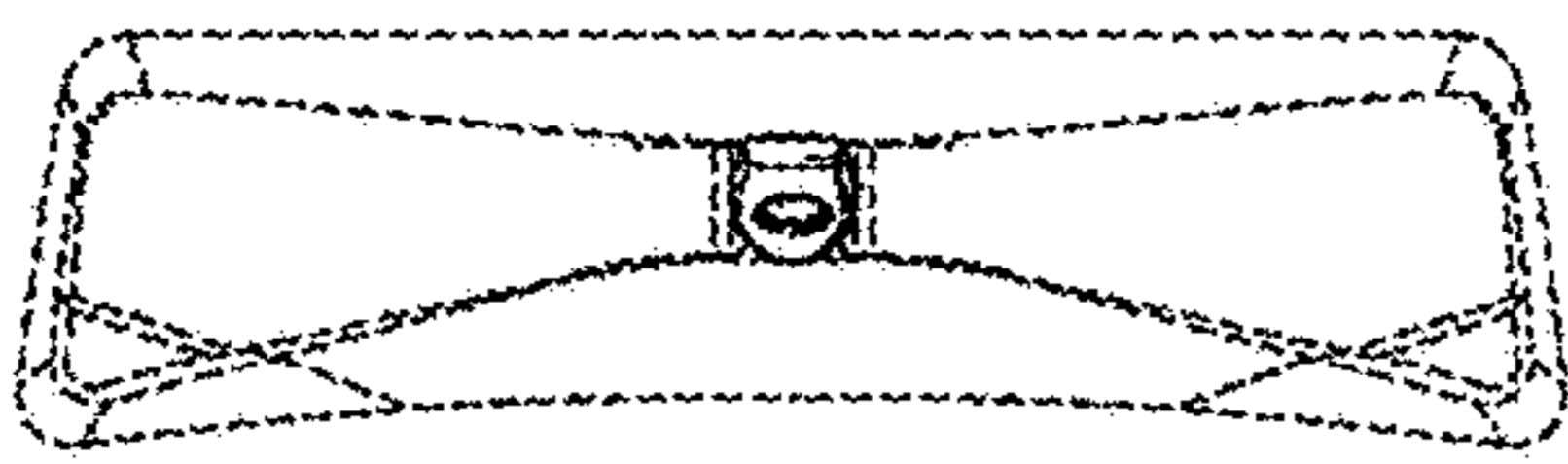


FIG. 4

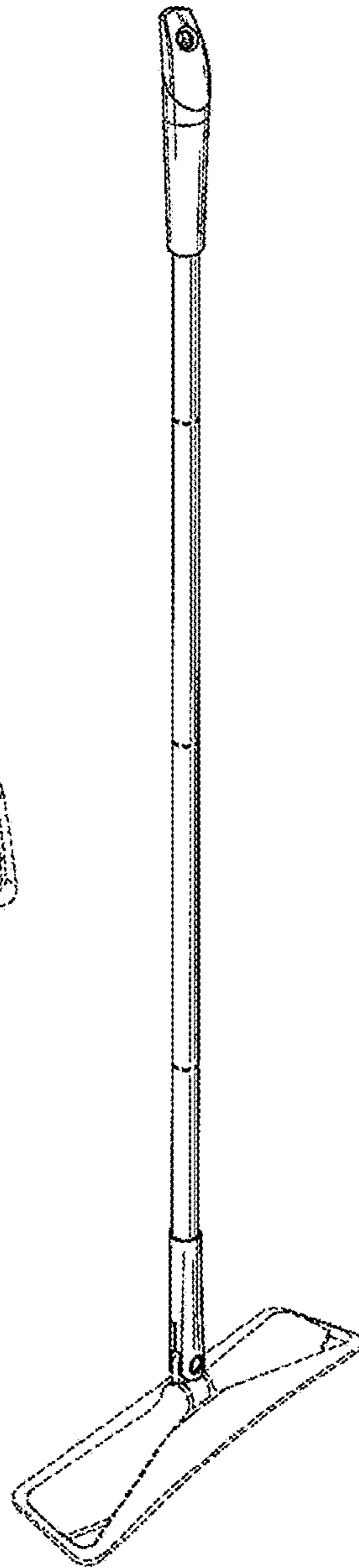


FIG. 5

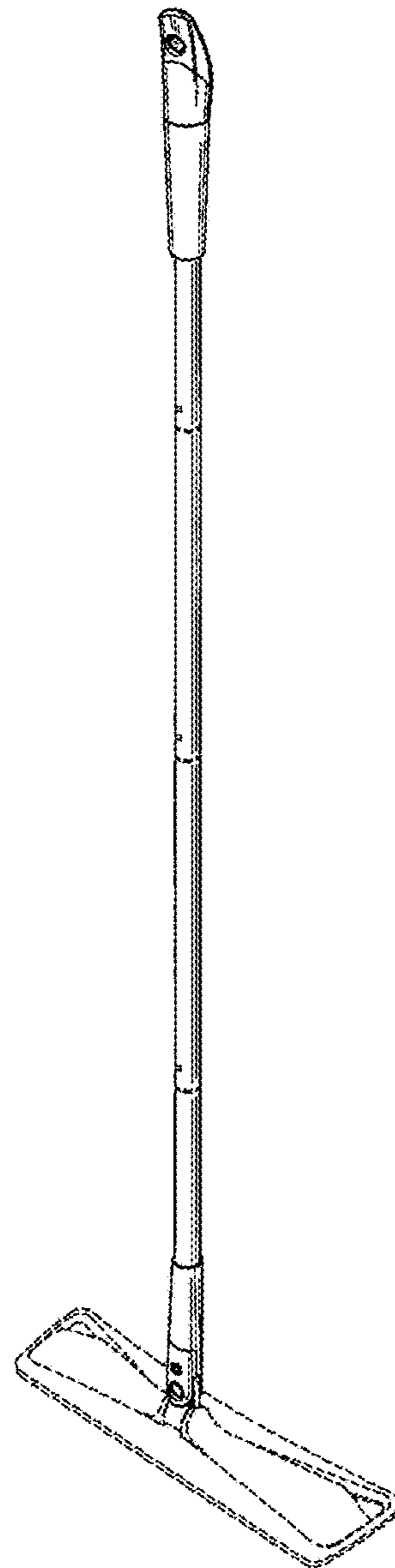


FIG. 6