



US00D822295S

(12) **United States Design Patent**
Woods et al.

(10) **Patent No.:** **US D822,295 S**
(45) **Date of Patent:** **** Jul. 3, 2018**

(54) **PET TOY**
(71) Applicant: **HYPER PET LLC**, Wichita, KS (US)
(72) Inventors: **Randall J. Woods**, Goddard, KS (US);
Sonia S. Cox, Andover, KS (US)
(73) Assignee: **HYPER PET LLC**, Wichita, KS (US)
(**) Term: **15 Years**
(21) Appl. No.: **29/583,988**
(22) Filed: **Nov. 10, 2016**
(51) **LOC (11) Cl.** **30-99**
(52) **U.S. Cl.**
USPC **D30/160**
(58) **Field of Classification Search**
USPC D30/160; D21/355-356, 358, 398, 662,
D21/678, 681-682, 701, 707, 712-713,
D21/788; D11/7, 14, 42, 49; 119/707,
119/713, 801, 832
CPC A63B 23/035; A63B 23/16; A63B 41/00;
A63B 43/02; A01K 15/00; A01K 5/0233
See application file for complete search history.

D544,052 S * 6/2007 Krysiak D21/713
7,367,283 B2 * 5/2008 Aboujaoude A01K 15/025
119/702
7,600,488 B2 * 10/2009 Mann A01K 15/026
119/710
D638,589 S * 5/2011 Axelrod D30/160
D640,018 S * 6/2011 Rutherford D30/160
D645,101 S * 9/2011 Krysiak D21/713
D657,506 S * 4/2012 Viola D30/160
D665,135 S * 8/2012 Gick D30/160
D683,538 S * 6/2013 Kossman D21/713
D688,893 S * 9/2013 Cornacchia D6/665
D717,521 S * 11/2014 Slusarczyk D1/130
8,904,966 B2 * 12/2014 Kolozsvari A01K 15/026
119/710
8,919,290 B2 * 12/2014 Ottosson A01K 15/025
119/707
D724,161 S * 3/2015 Kuhne D21/662
D748,871 S * 2/2016 Setser D30/160
D769,376 S * 10/2016 Wolff D21/398
D786,513 S * 5/2017 Tome D30/121
9,661,829 B2 * 5/2017 Sternal A01K 15/027
D795,220 S * 8/2017 Uziel D14/216
D802,157 S * 11/2017 Kasuto D24/224

(Continued)

Primary Examiner — Caron D Veynar
Assistant Examiner — Mehri F Bajoul
(74) *Attorney, Agent, or Firm* — Hovey Williams LLP

(56) **References Cited**

U.S. PATENT DOCUMENTS

D322,105 S * 12/1991 Ma D21/713
D329,393 S * 9/1992 Hawkins, III D10/106.4
D340,489 S * 10/1993 Evangelista D21/713
D370,243 S * 5/1996 Thompson D21/707
D385,002 S * 10/1997 Schloss D21/707
D408,482 S * 4/1999 Morrison D21/708
D469,824 S * 2/2003 Manville D21/498
6,578,527 B1 * 6/2003 Mathers A01K 15/025
119/707
D511,029 S * 10/2005 Willinger D21/713
D516,646 S * 3/2006 Yang D21/713
D540,496 S * 4/2007 Axelrod D30/160

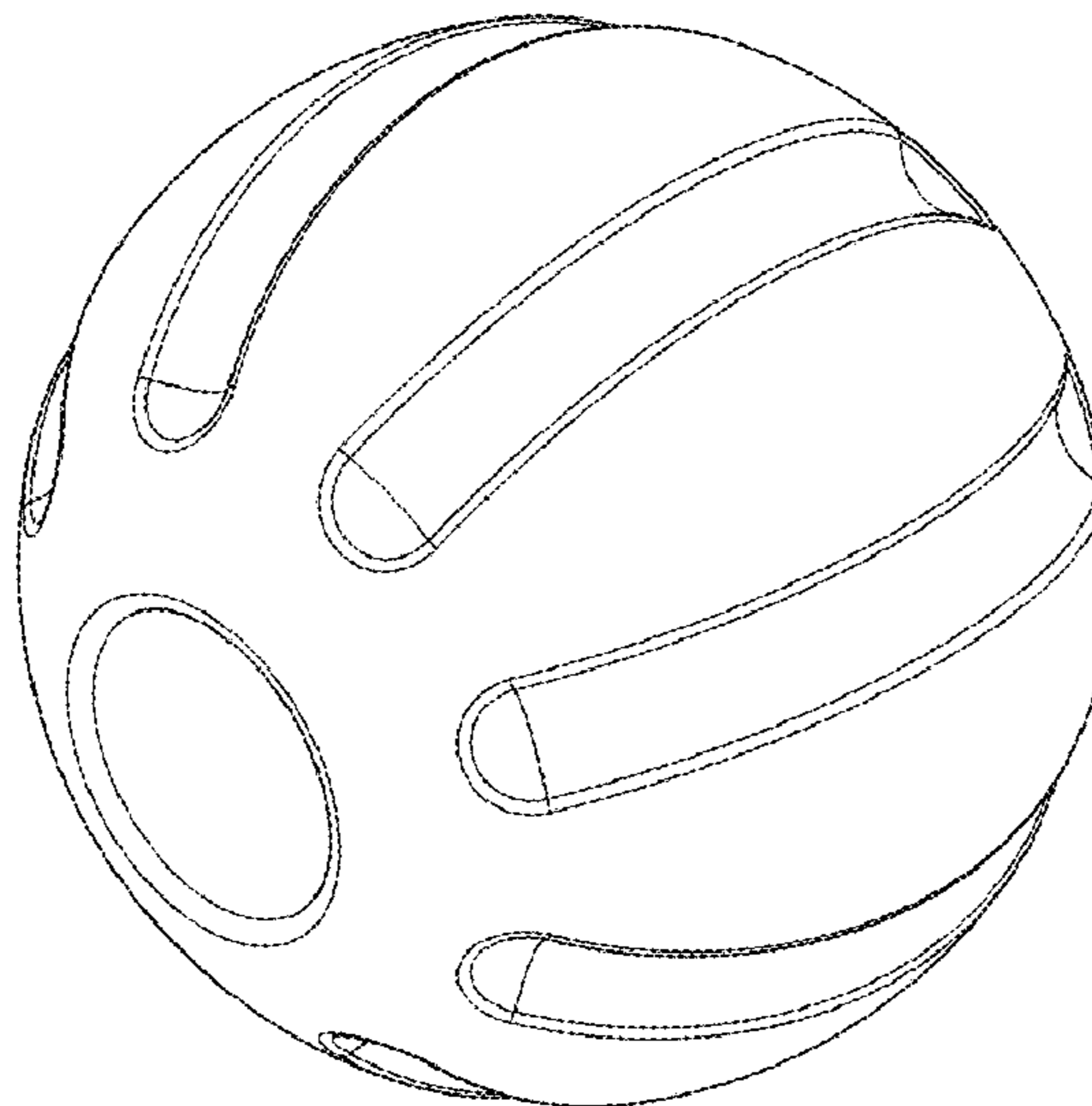
(57) **CLAIM**

The ornamental design for a pet toy, as shown and described.

DESCRIPTION

FIG. 1 is a perspective view of an embodiment of the pet toy of the present invention;
FIG. 2 is a front elevational view of the pet toy of FIG. 1;
FIG. 3 is a top plan view of the pet toy of FIG. 1; and,
FIG. 4 is right side elevational view of the pet toy of FIG. 1.

1 Claim, 1 Drawing Sheet



(56)

References Cited

U.S. PATENT DOCUMENTS

2003/0079693 A1* 5/2003 Jager A01K 15/026
119/707
2005/0045115 A1* 3/2005 Mann A01K 15/026
119/711
2005/0120972 A1* 6/2005 Aboujaoude A01K 15/025
119/707
2012/0145090 A1* 6/2012 Kolozsvari A01K 15/026
119/710

* cited by examiner

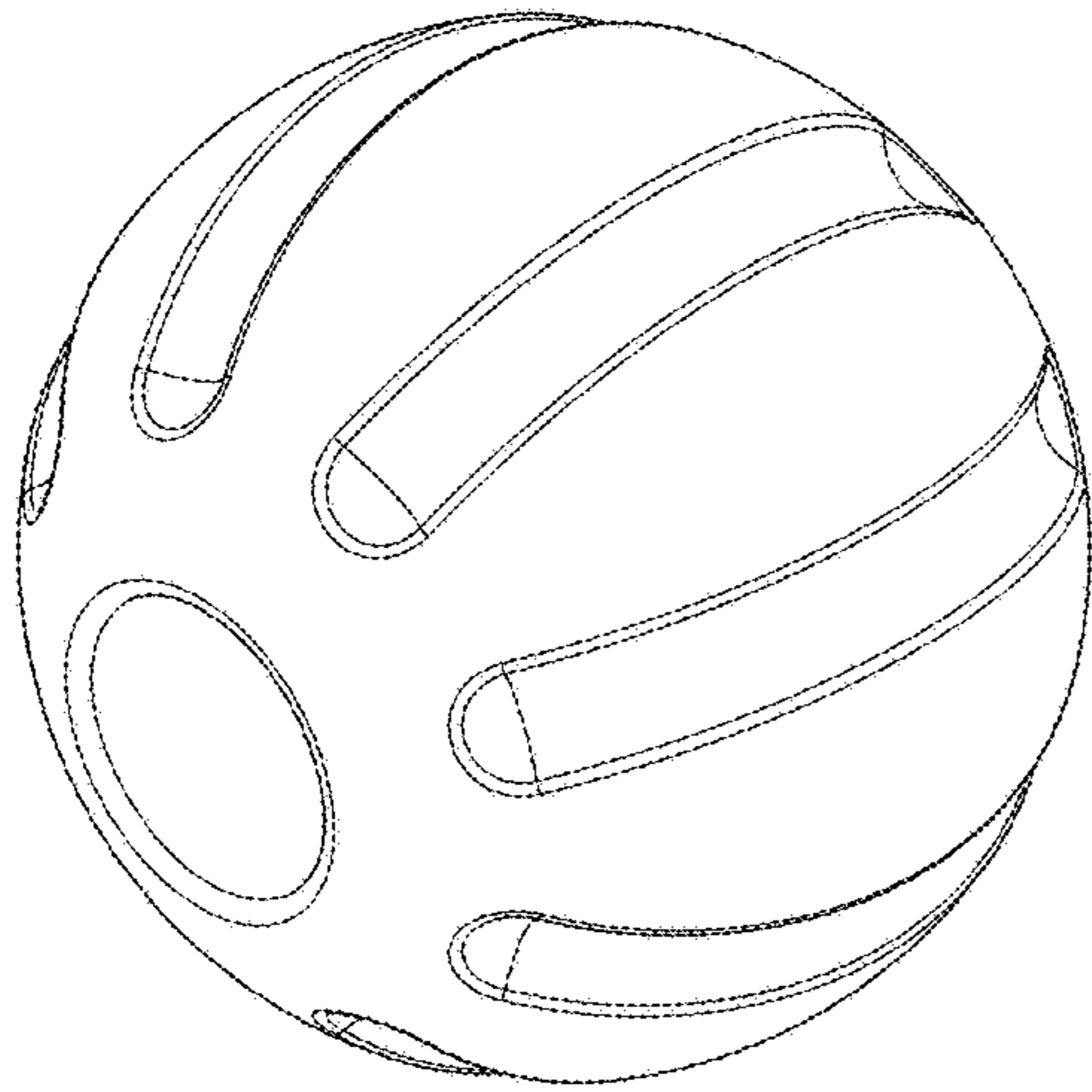


Fig. 1.

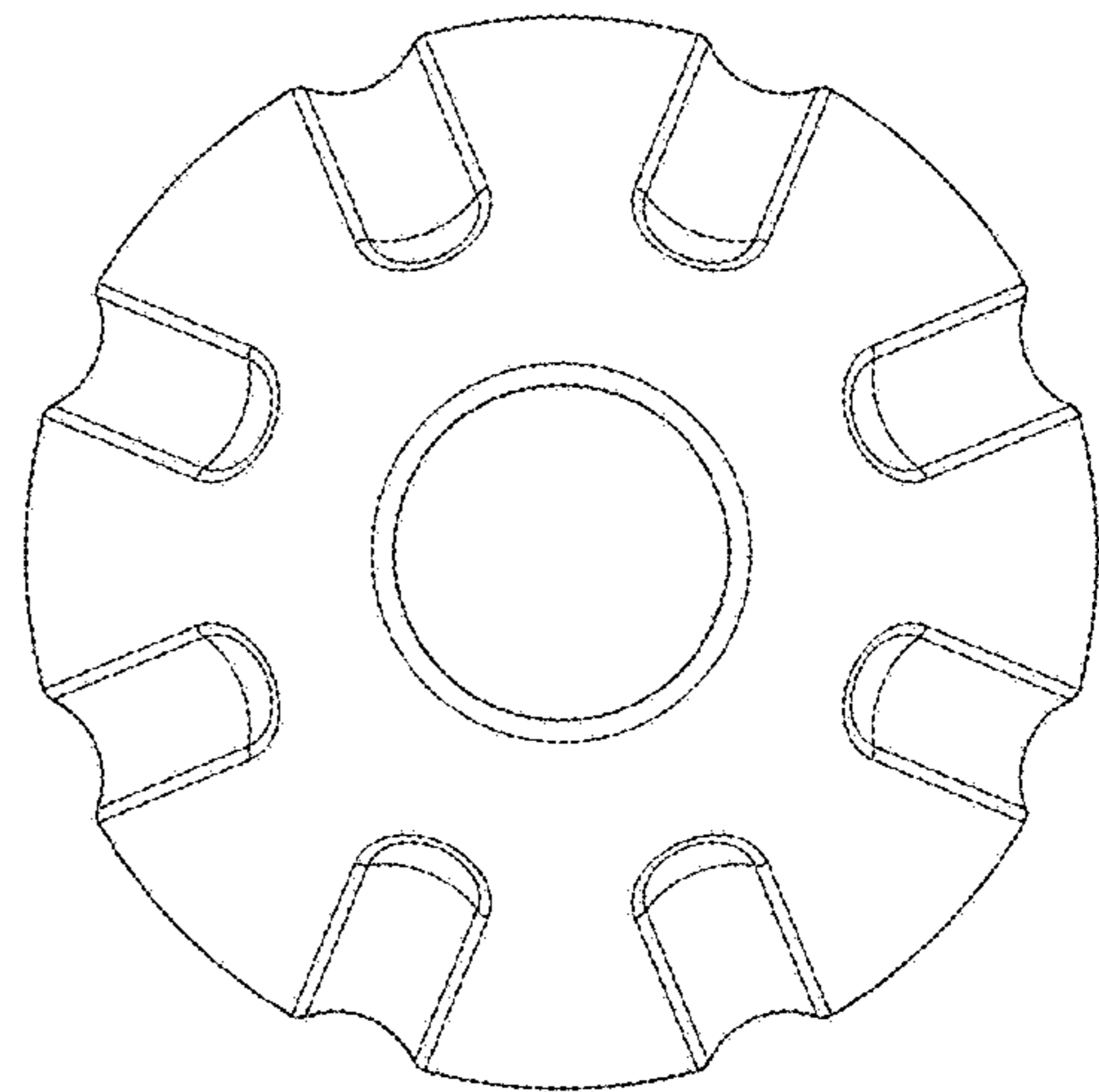


Fig. 2.

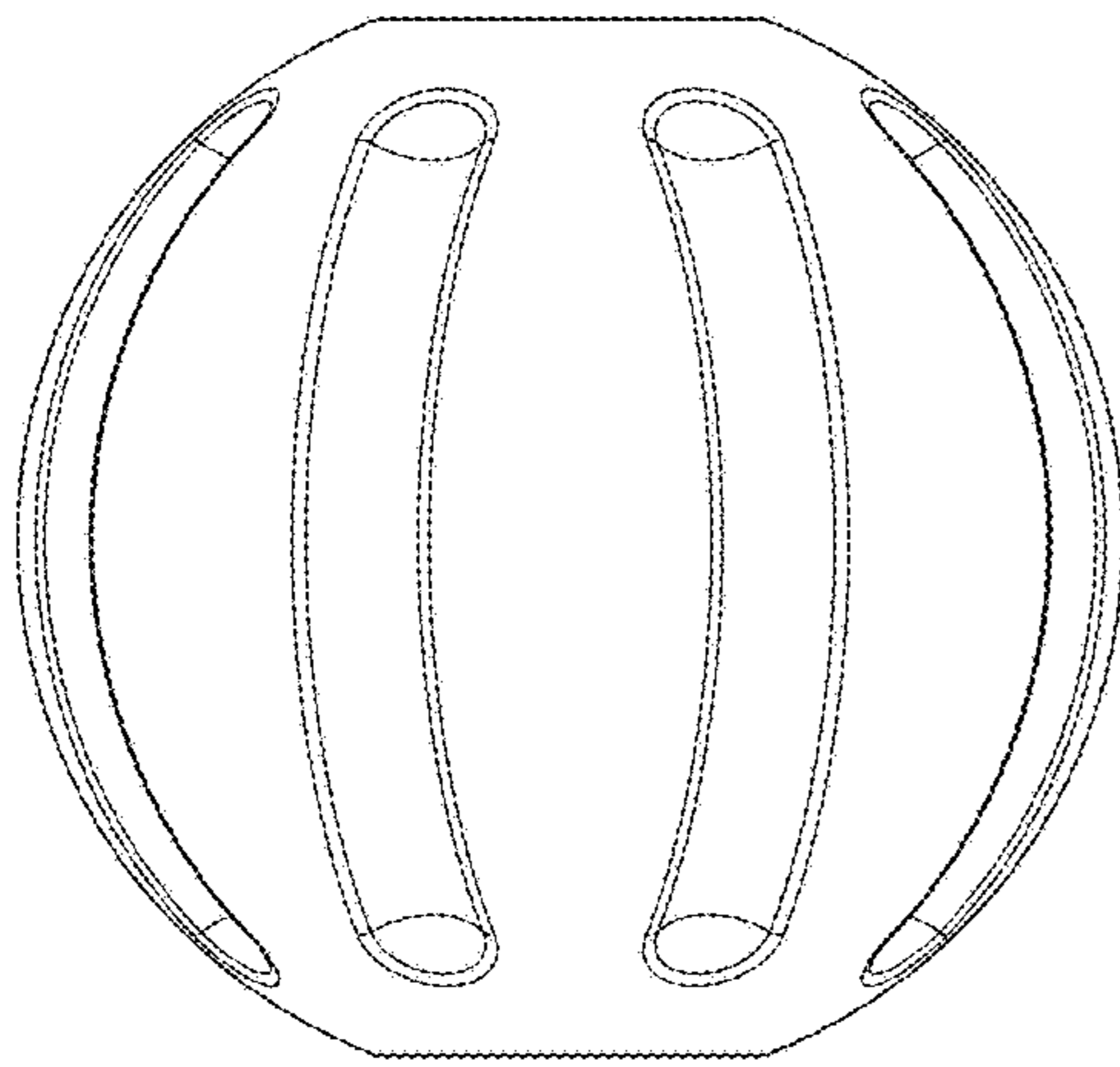


Fig. 3.

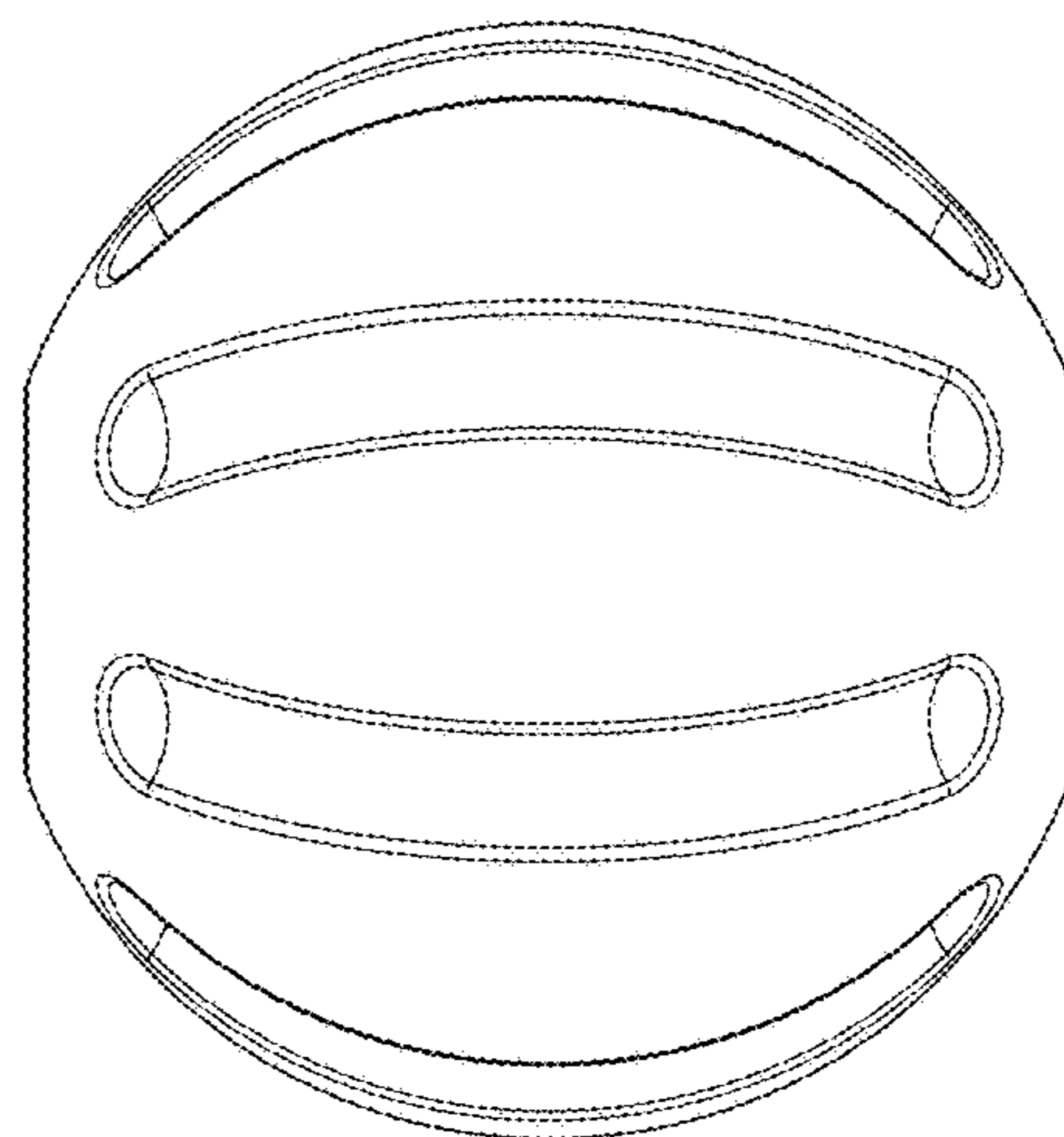


Fig. 4.