



US00D822294S

(12) **United States Design Patent**
Holcomb

(10) **Patent No.:** **US D822,294 S**

(45) **Date of Patent:** **** Jul. 3, 2018**

- (54) **TOY FOR DOGS AND OTHER ANIMALS**
- (71) Applicant: **Samuel Roy Holcomb**, Orange, CA (US)
- (72) Inventor: **Samuel Roy Holcomb**, Orange, CA (US)
- (**) Term: **15 Years**
- (21) Appl. No.: **29/580,264**
- (22) Filed: **Oct. 6, 2016**
- (51) **LOC (11) Cl.** **30-99**
- (52) **U.S. Cl.**
USPC **D30/160**
- (58) **Field of Classification Search**
USPC D30/160; D21/398, 682; D11/7, 14, 49; 119/707, 801
CPC A63B 65/00; A63B 23/16; A63B 43/02
See application file for complete search history.

- D515,254 S * 2/2006 Jager A01K 15/026 30/99
- D516,640 S * 3/2006 Shore D21/707
- D532,113 S * 11/2006 Huang D21/386
- D554,811 S 11/2007 Rutherford
- D588,043 S * 3/2009 Hardy D11/93
- D596,681 S * 7/2009 Chernick D21/398
- D601,645 S * 10/2009 Chapa, Jr. D21/707
- D617,395 S * 6/2010 Colangelo D21/492
- D642,341 S * 7/2011 Anderson D30/160
- D646,343 S * 10/2011 Chapa, Jr. D21/707
- D700,755 S * 3/2014 Reiss D30/121
- D708,677 S * 7/2014 Baumann D21/398
- D709,560 S * 7/2014 Baumann D21/398
- D709,562 S * 7/2014 Baumann D21/398
- D709,964 S * 7/2014 Baumann D21/398
- D722,389 S * 2/2015 Armon D25/113
- D751,258 S * 3/2016 Setser D30/160
- D758,024 S * 5/2016 Setser D30/160
- 2001/0029904 A1* 10/2001 Viola A01K 15/025 119/707

* cited by examiner

Primary Examiner — Caron D Veynar

Assistant Examiner — Mehri F Bajoul

(74) *Attorney, Agent, or Firm* — Larry K. Roberts

(56) **References Cited**

U.S. PATENT DOCUMENTS

- D70,800 S * 8/1926 McDonald 273/447
- 2,187,493 A * 1/1940 Taylor A63B 65/00 446/220
- 3,105,457 A * 10/1963 Krueger E01F 9/612 116/63 P
- 4,309,038 A * 1/1982 Spoon A63B 65/00 273/146
- D301,161 S * 5/1989 Dunse D21/707
- D330,921 S * 11/1992 LaMagna D21/483
- D431,848 S * 10/2000 Hubbard D21/398
- D433,777 S * 11/2000 Simon D30/160
- D439,378 S * 3/2001 Loomis D30/160
- D452,352 S * 12/2001 Linscott D30/105
- 6,579,145 B1 * 6/2003 Maxim A63B 43/00 446/4
- D513,350 S * 12/2005 Jager A01K 15/026 D30/160

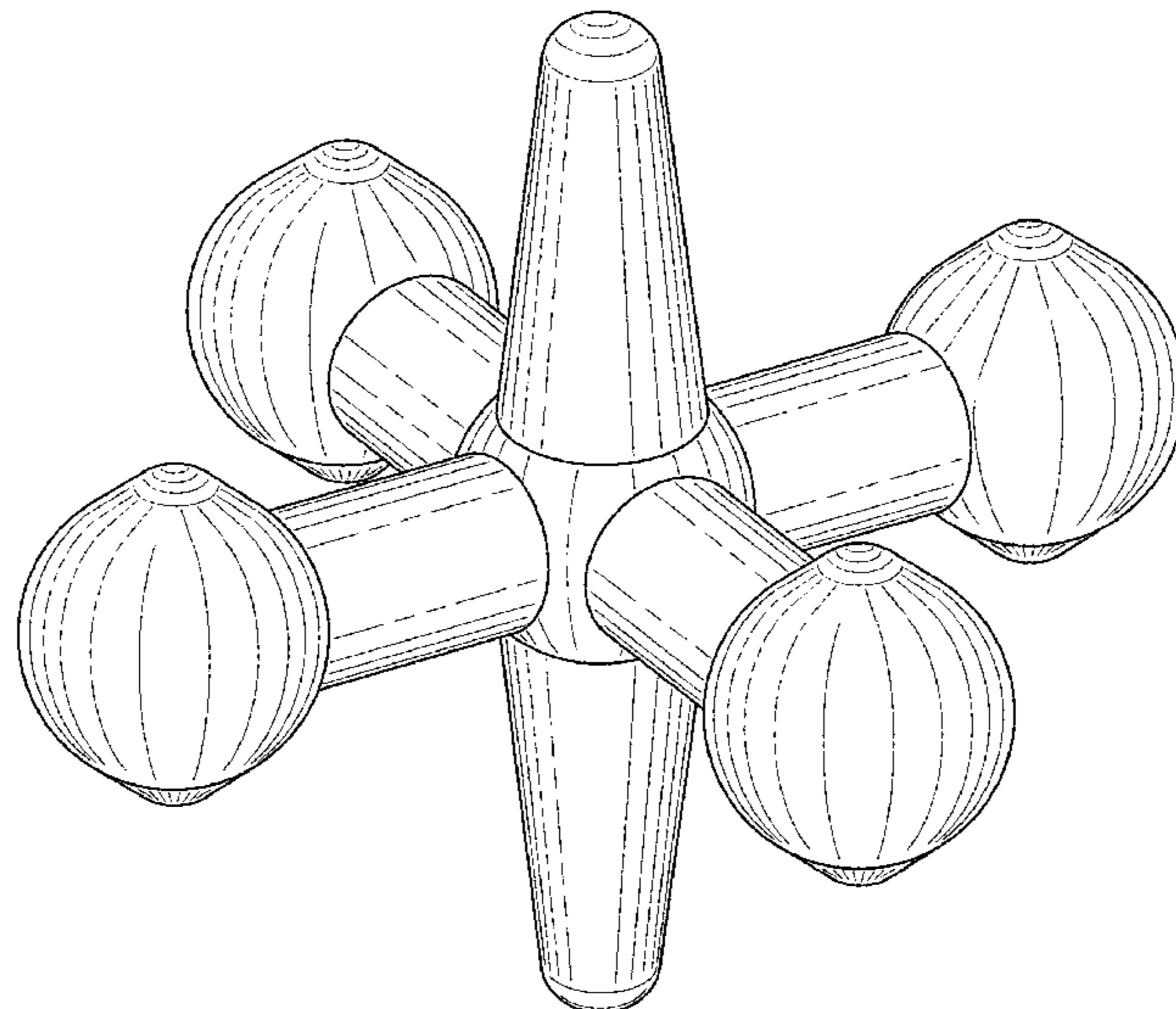
(57) **CLAIM**

The ornamental design for a toy for dogs and other animals, as shown and described.

DESCRIPTION

FIG. 1 is a isometric view of a toy for dogs and other animals in accordance with an embodiment of the design; FIG. 2 is a top view of the toy for dogs and other animals of the embodiment of FIG. 1, the bottom view being identical to the top view; and, FIG. 3 is a front view of the toy of FIG. 1, the back view, the left view and the right view being identical to the front view.

1 Claim, 2 Drawing Sheets



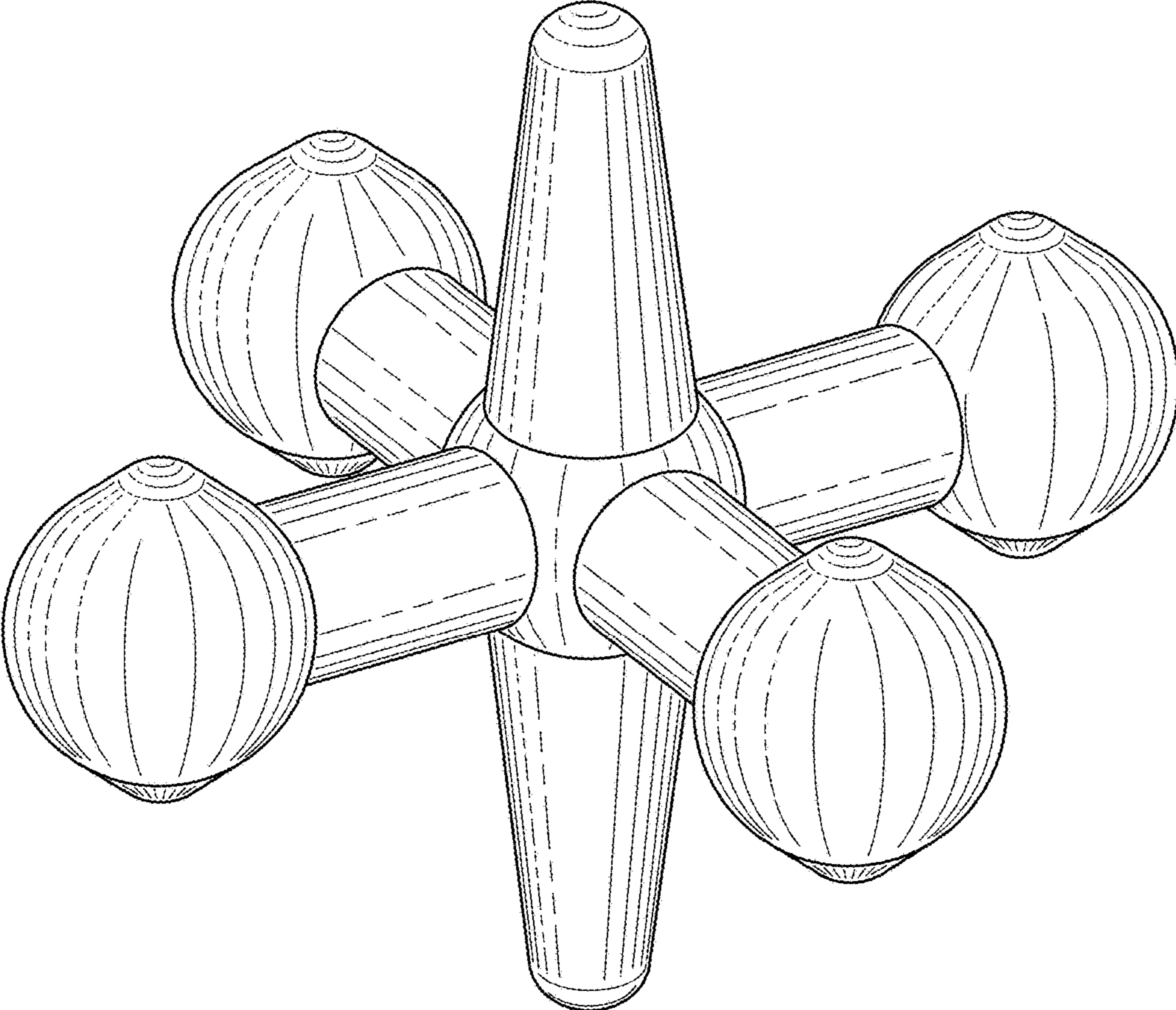


FIG. 1

FIG. 2

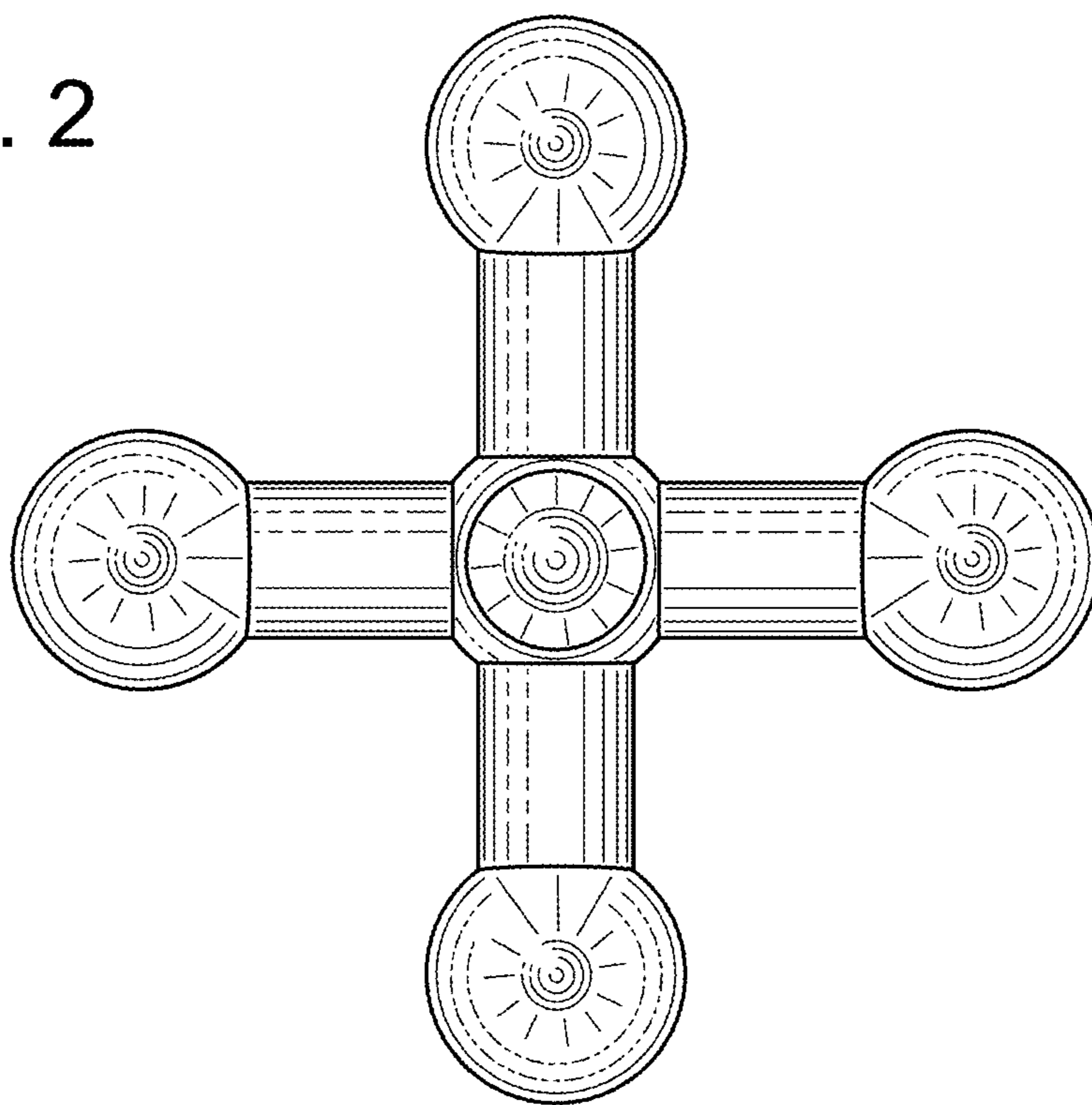


FIG. 3

