



US00D822293S

(12) **United States Design Patent**
Ting

(10) **Patent No.:** **US D822,293 S**

(45) **Date of Patent:** **** Jul. 3, 2018**

(54) **CAT SCRATCHER**

(71) Applicant: **Petsweet Co., Ltd.**, Taipei (TW)

(72) Inventor: **Chia-Hsiang Ting**, Taipei (TW)

(73) Assignee: **Petsweet Co., Ltd.**, Taipei (TW)

(**) Term: **15 Years**

(21) Appl. No.: **29/566,708**

(22) Filed: **Jun. 2, 2016**

(51) **LOC (11) Cl.** **30-99**

(52) **U.S. Cl.**
USPC **D30/160**

(58) **Field of Classification Search**

USPC D30/158, 160, 161, 162, 199, 118

CPC A01K 1/0353; A01K 15/024

See application file for complete search history.

(56) **References Cited**

U.S. PATENT DOCUMENTS

D231,787 S * 6/1974 Burnley 119/265
4,698,023 A * 10/1987 Marino G09B 1/36
434/259

D334,815 S * 4/1993 Bunger D21/501

D610,628 S * 2/2010 Christensen D21/484

D667,177 S * 9/2012 Roberts D30/118

8,382,548 B2 * 2/2013 Maggiore A63H 33/062
446/120

D685,139 S * 6/2013 Park D30/108

D759,219 S * 6/2016 Young D23/269

D789,622 S * 6/2017 Kellogg D30/160

2017/0135317 A1 * 5/2017 Ting A01K 15/024

2017/0137206 A1 * 5/2017 Ting B65D 81/368

OTHER PUBLICATIONS

Cat Scratcher 2575, [online], [site visited Dec. 15, 2017]. Available from Internet, URL: <https://www.cattylego.com/cat-scratcher-toy-PCT-2575.html>.*

Cardboard Cat Scratchers, [online], [site visited Dec. 15, 2017]. Available from Internet, URL: <https://www.cattylego.com/cardboard-cat-scratcher.htm>.*

* cited by examiner

Primary Examiner — Caron D Veynar

Assistant Examiner — Katrina N Gonzalez

(74) *Attorney, Agent, or Firm* — Alan D. Kamrath; Kamrath IP Lawfirm, P.A.

(57) **CLAIM**

The ornamental design for a cat scratcher, as shown and described.

DESCRIPTION

FIG. 1 is a perspective view of a cat scratcher showing my design;

FIG. 2 is a front elevational view thereof;

FIG. 3 is a rear elevational view thereof;

FIG. 4 is a left side elevational view thereof;

FIG. 5 is a right side elevational view thereof;

FIG. 6 is a top plan view thereof;

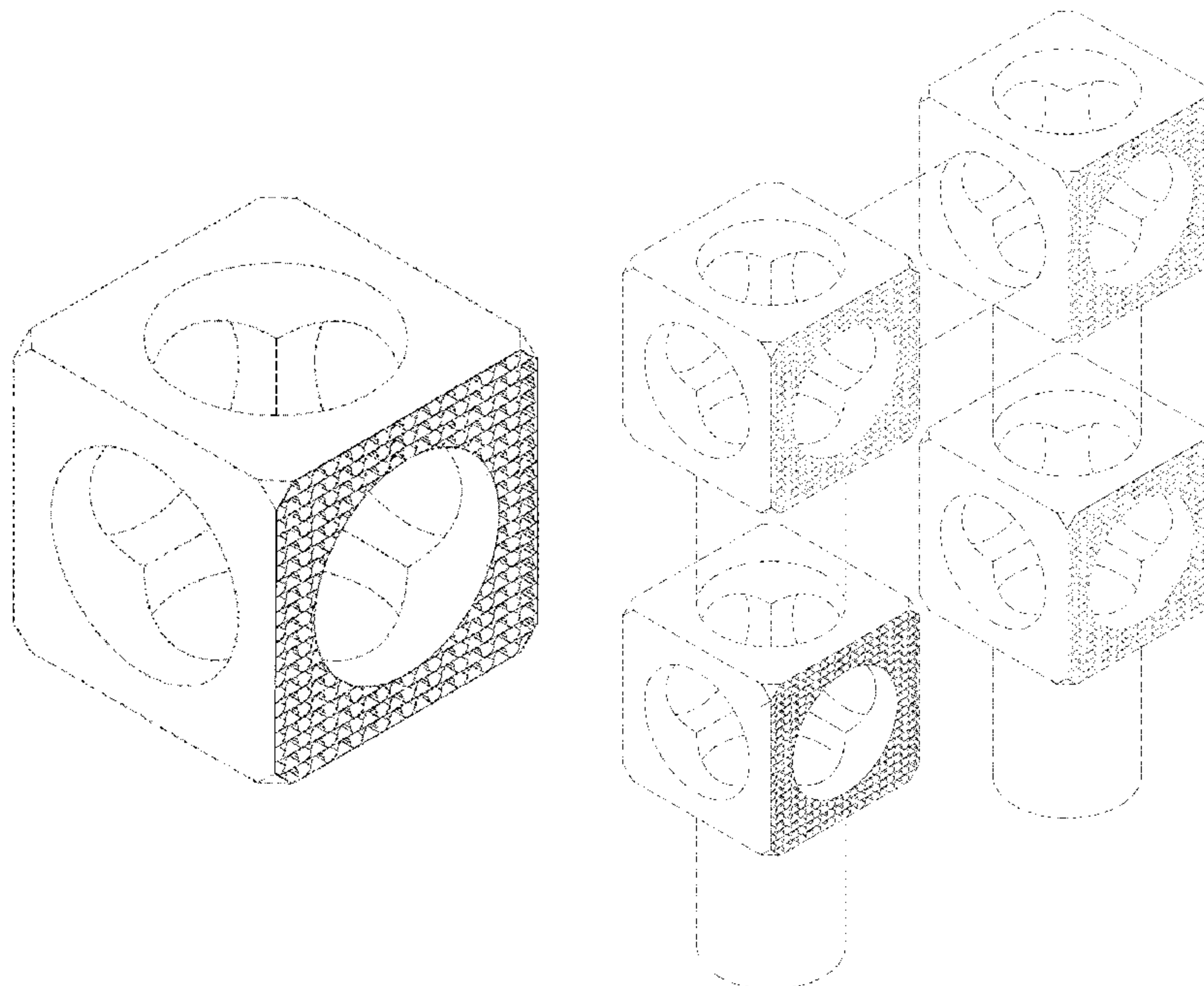
FIG. 7 is bottom plan view thereof;

FIG. 8 is a perspective view showing the cat scratcher in use; and,

FIG. 9 is another perspective view showing the cat scratcher in use.

The broken lines are shown for the purpose of illustrating portions of the cat scratcher that form no part of the claimed design. The additional broken lines shown in FIG. 8 and FIG. 9 are shown for the purpose of illustrating environmental subject matter that form no part of the claimed design.

1 Claim, 9 Drawing Sheets



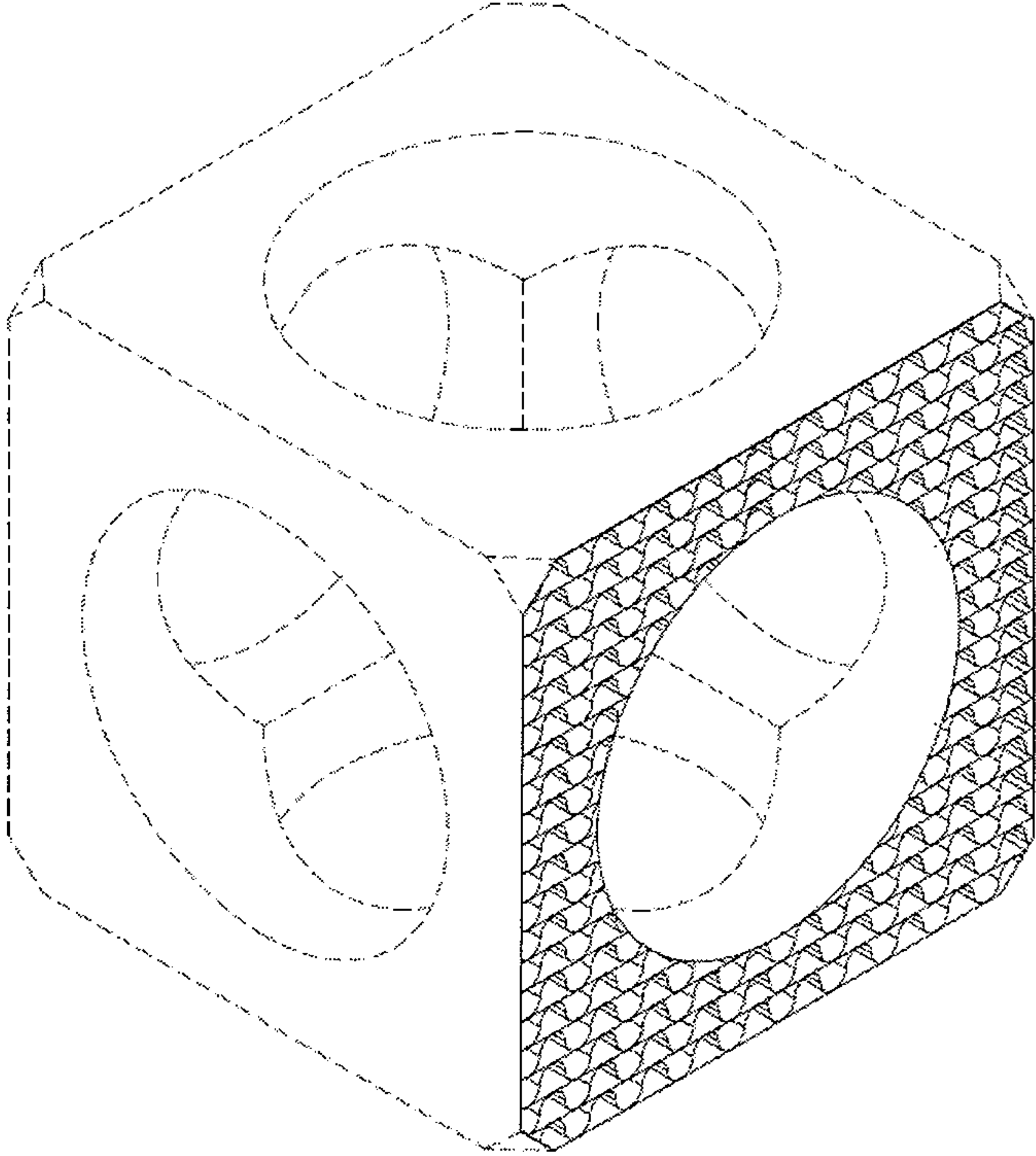


FIG. 1

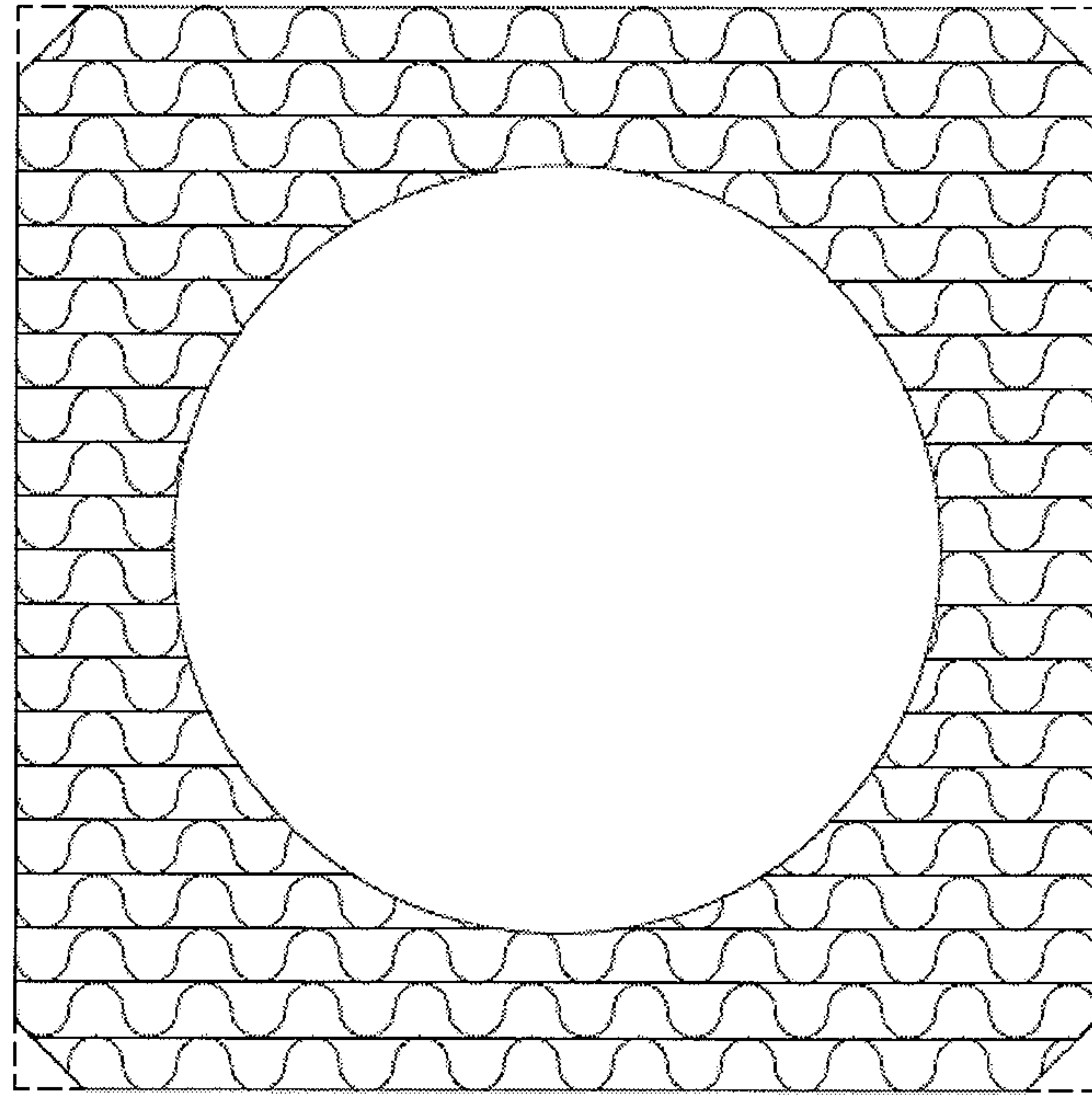


FIG. 2

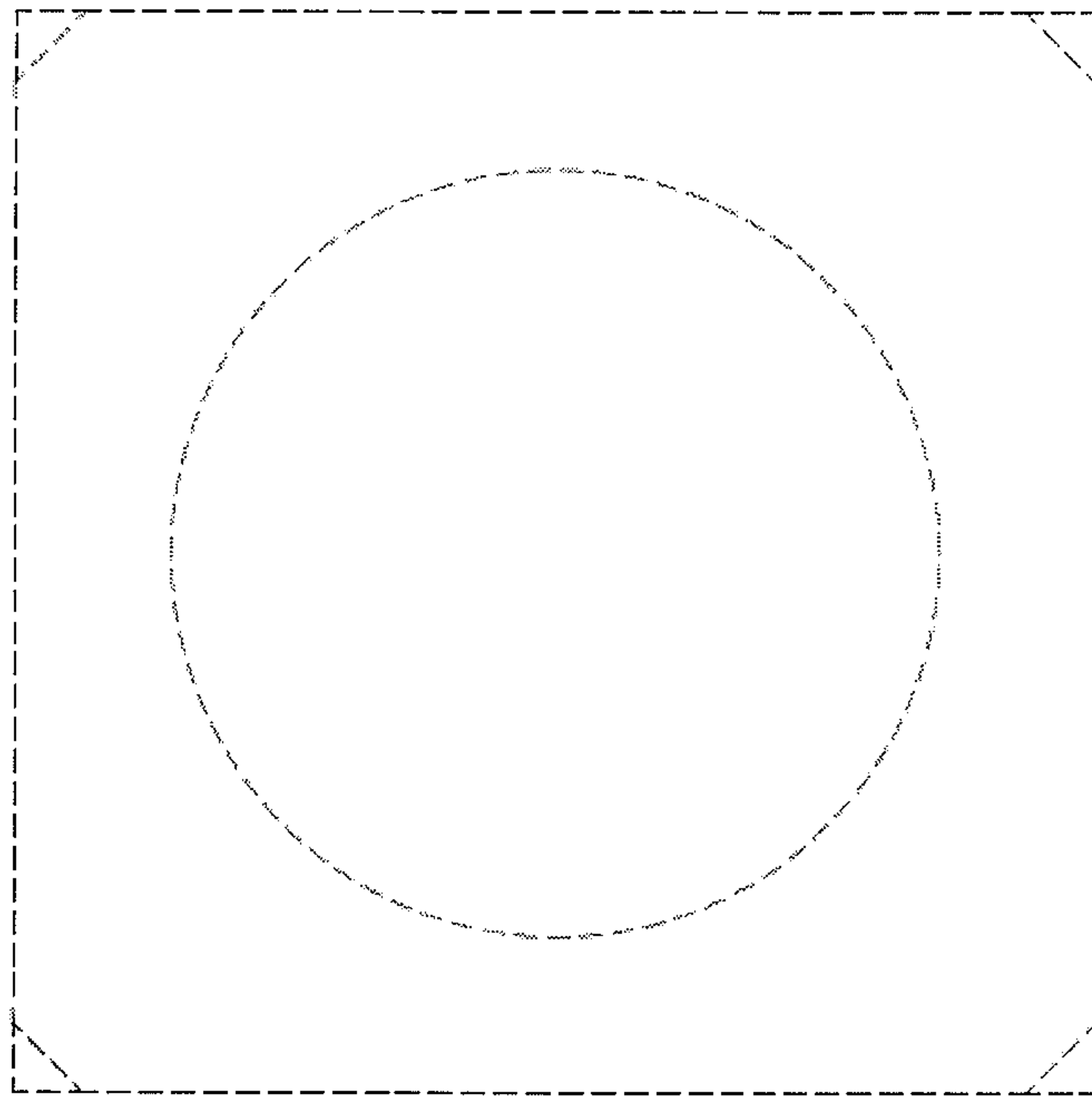


FIG. 3

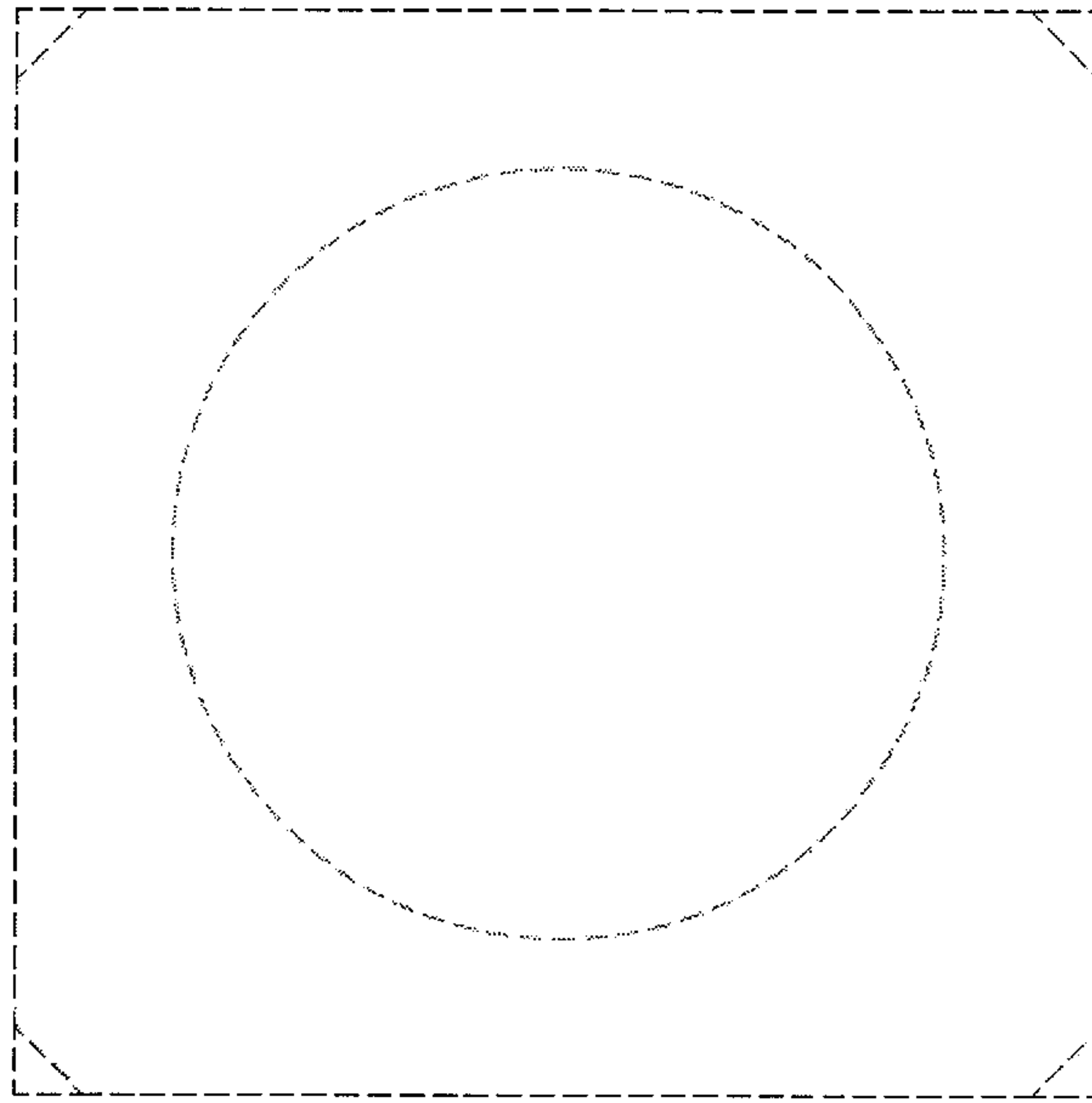


FIG. 4

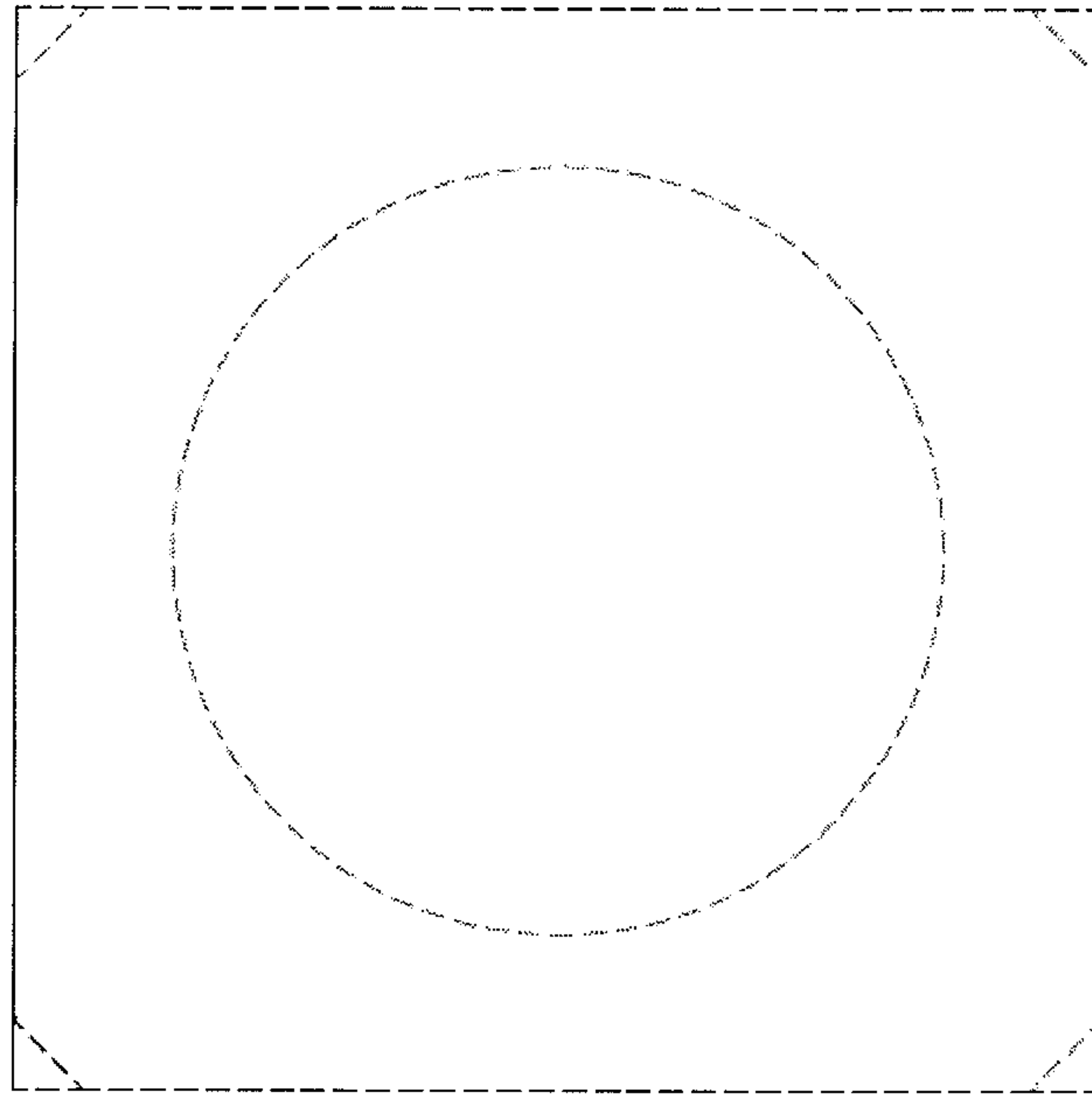


FIG. 5

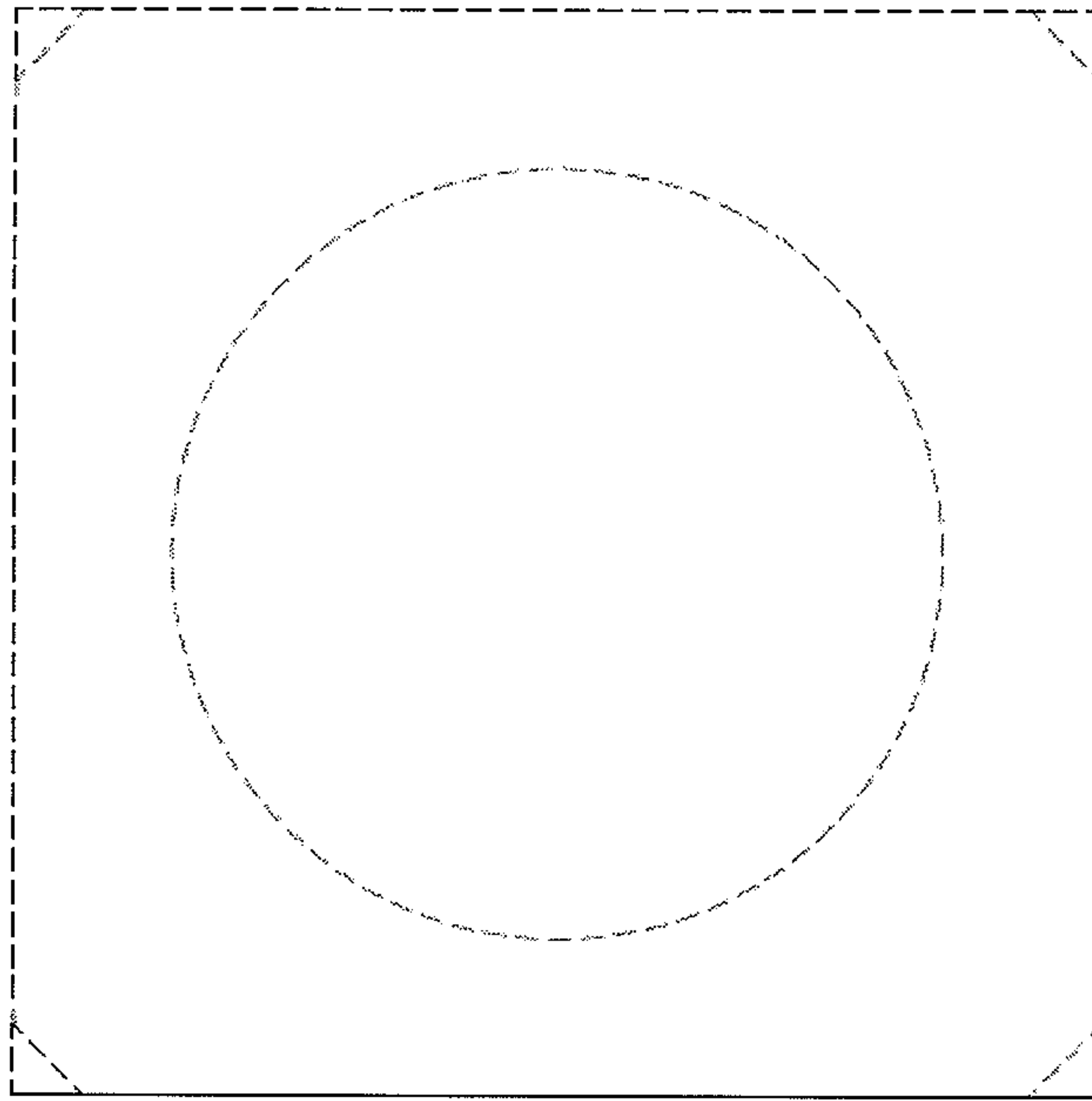


FIG. 6

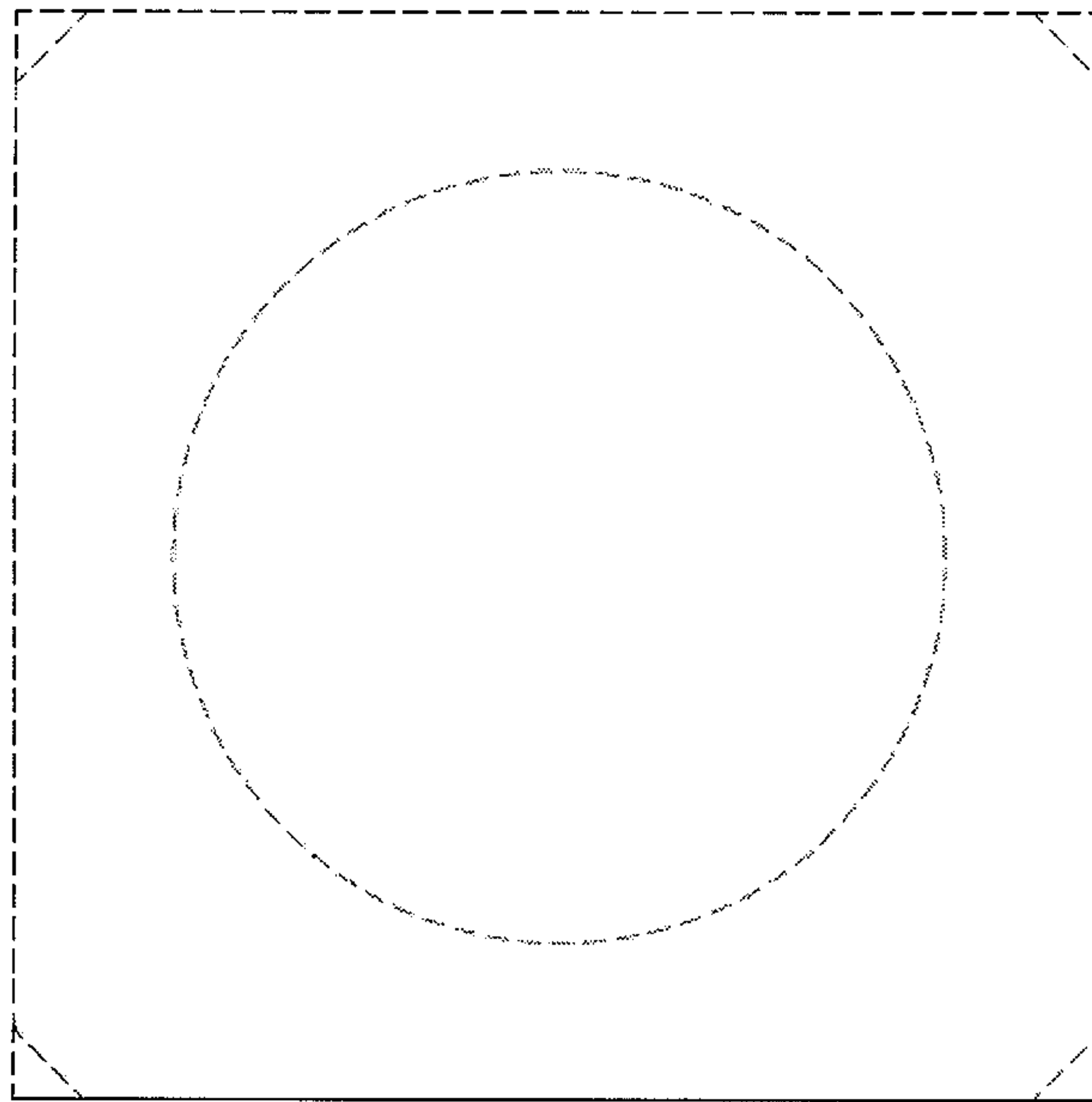


FIG. 7

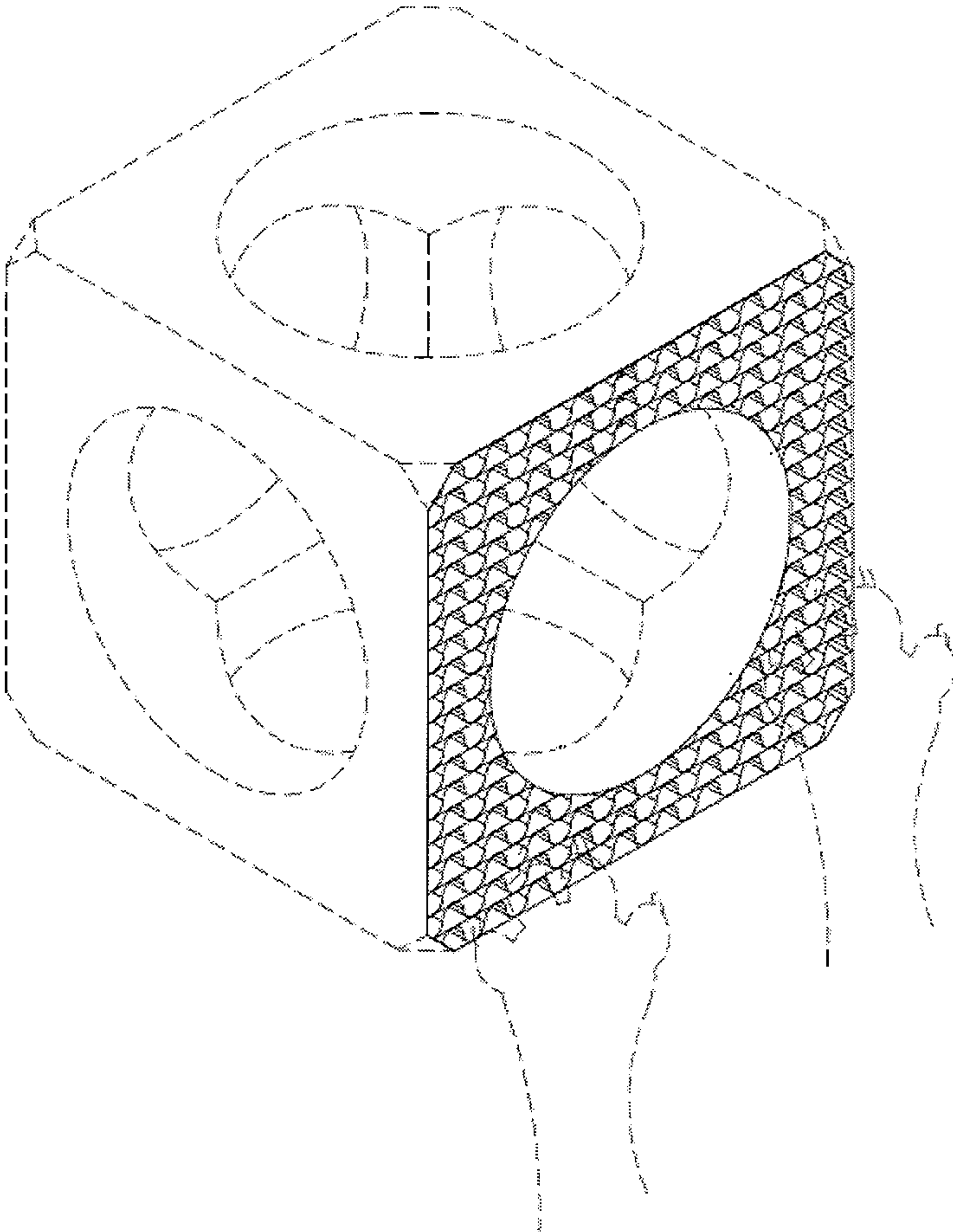


FIG. 8

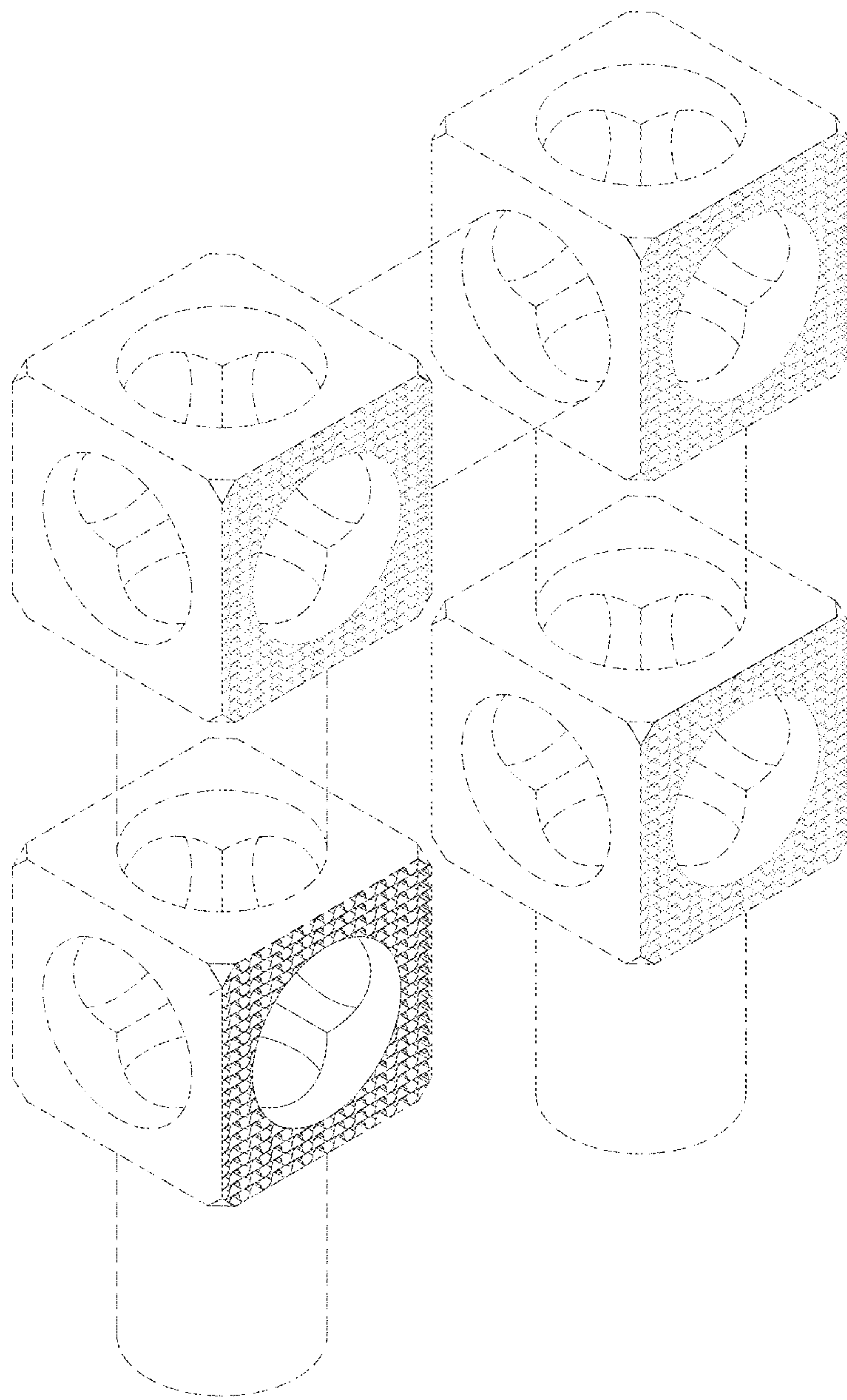


Fig. 9