



US00D822292S

(12) **United States Design Patent**
Hua et al.

(10) **Patent No.:** **US D822,292 S**
(45) **Date of Patent:** **** Jul. 3, 2018**

(54) **PET AUTOMATIC FEEDER**
(71) Applicants: **Cixi Huazhijie Plastic Co., Ltd.**, Cixi (CN); **Shanghai Uwin International Trade Co., Ltd.**, Shanghai (CN)
(72) Inventors: **Jie Hua**, Cixi (CN); **Yi Qing**, Shanghai (CN)
(73) Assignees: **Cixi Huazhijie Plastic Co., Ltd.**, Cixi (CN); **Shanghai Uwin International Trade Co., Ltd.**, Shanghai (CN)

222/153.13, 401, 1, 146.5, 23, 54, 64, 51, 222/156, 399, 400.8; 219/438, 439, 441, 219/385, 386, 402, 407; 210/94, 184, 210/474, 477
CPC A01K 5/02; A01K 5/0225; A01K 5/0114; A01K 5/025; A01K 5/0266; A01K 5/0275; A01K 5/0283; A01K 5/0291; A01K 5/0258; A01K 7/00; G01F 11/24; G01F 23/02;

(Continued)

(**) Term: **15 Years**
(21) Appl. No.: **29/604,382**
(22) Filed: **May 17, 2017**

(56) **References Cited**

U.S. PATENT DOCUMENTS

3,568,893 A * 3/1971 Becker G01F 11/24 222/349
3,720,184 A * 3/1973 Pearce A01K 5/0225 119/51.5

(Continued)

(30) **Foreign Application Priority Data**

Feb. 23, 2017 (CN) 2017 3 0051174

(51) **LOC (11) Cl.** **30-07**
(52) **U.S. Cl.**
USPC **D30/122**

(58) **Field of Classification Search**
USPC D30/121, 122, 129-133; 119/61.5, 51.01, 119/61.56, 51.03, 59, 62, 63, 51.5, 57.8, 119/74, 61.54, 61.55, 53, 53.5, 75, 56.2, 119/51.02, 51.11, 51.12, 57.1, 52.1, 515; 312/204; 248/151, 188; 108/156, 108/153.1-157; 220/23.87, 630, 737, 220/743, 9.4, 495.01, 574, 212, 255, 220/23.83; 206/515; D7/586, 543, D7/550.1, 587, 505, 584, 545, 500, D7/553.1-553.8, 546, 555, 556, 504, 565, D7/562, 602, 605, 312, 313, 320, 307, D7/306, 309, 354, 311, 399, 397, 323, D7/332, 331, 347, 346, 322, 318, 317, D7/316, 619.1; D9/429; 43/109; D22/122; 99/430, DIG. 15, 280, 285, 99/312; 222/209, 131, 363, 349, 517,

Primary Examiner — Susan Moon Lee
(74) *Attorney, Agent, or Firm* — Wang Law Firm, Inc.

(57) **CLAIM**

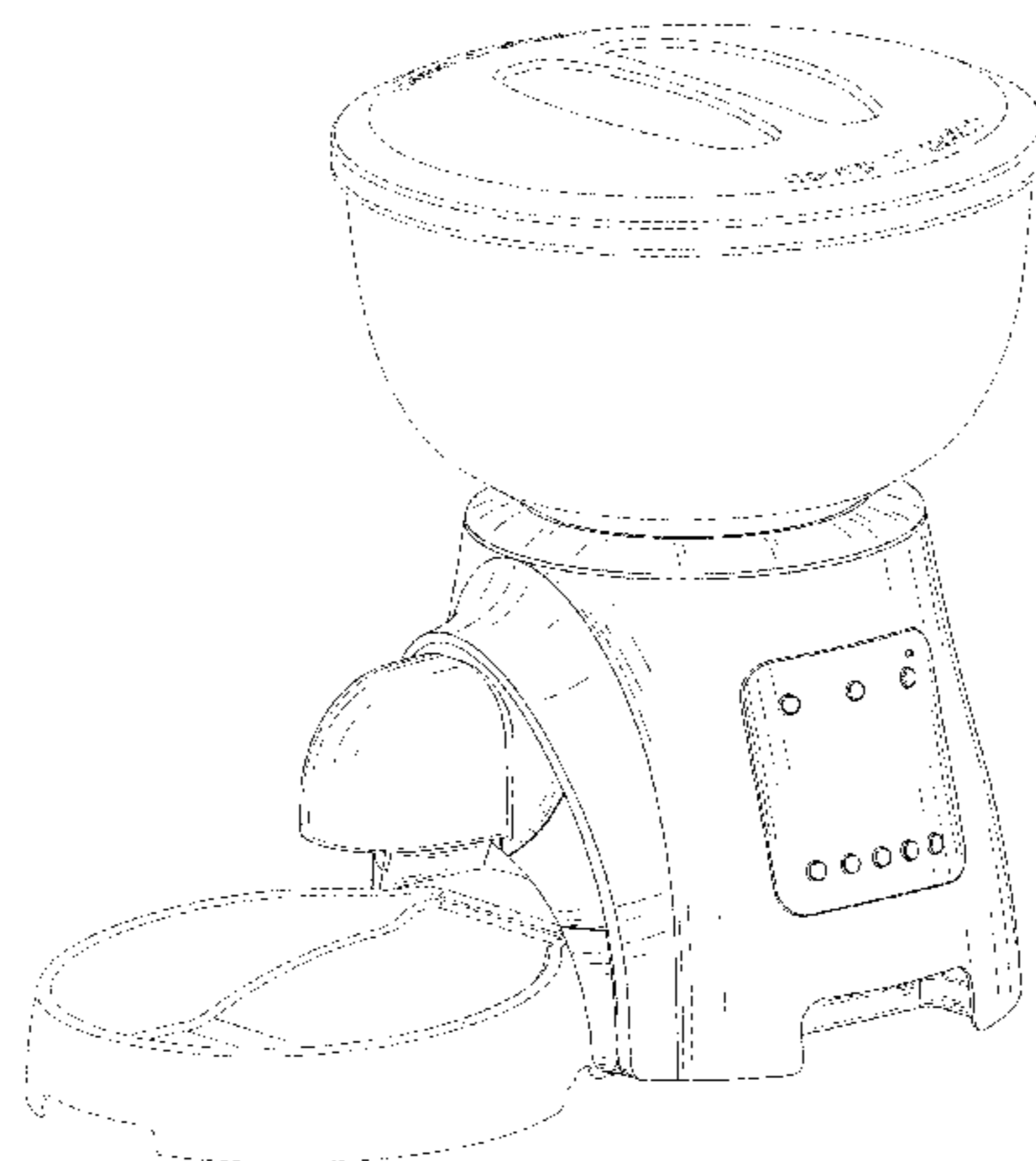
The ornamental design for a pet automatic feeder, as shown and described.

DESCRIPTION

FIG. 1 is a right side view of a pet automatic feeder in accordance with our new design;
FIG. 2 is a rear view thereof;
FIG. 3 is a frontal view thereof;
FIG. 4 is a left view thereof;
FIG. 5 is a top view thereof;
FIG. 6 is a front-left perspective view thereof; and,
FIG. 7 is a front-right view thereof.

Broken lines and unshaded portions contained within broken lines depict either features of the pet automatic feeder that form no part of the present design claim or exemplary elements that might be used in conjunction with the pet

(Continued)



automatic feeder that are shown for illustrative purposes only and that form no part of the claimed design.

1 Claim, 7 Drawing Sheets

(58) Field of Classification Search

CPC B67D 1/0425; B67D 1/04; B67D 1/00;
 B67D 1/02; B67D 1/0871; B67D 1/0802;
 A47J 41/0033; A47J 41/005; A47J
 41/0088; A47J 41/0094; A47J 31/04;
 A47J 31/053; B05B 11/00; B05B
 11/0002; B05B 11/0005; B05B 11/001;
 C02F 1/003; C02F 1/283; C02F 2307/02
 See application file for complete search history.

(56) References Cited

U.S. PATENT DOCUMENTS

D330,098 S * 10/1992 VanSkiver D30/121
 D351,689 S * 10/1994 VanSkiver D30/121
 6,681,718 B1 * 1/2004 McIlarky A01K 5/0291
 119/51.11
 6,789,503 B1 * 9/2004 Gao A01K 5/0291
 119/51.11
 D504,545 S * 4/2005 Morosin A01K 5/0114
 D30/122
 D563,605 S * 3/2008 Morris D30/121
 8,347,817 B1 * 1/2013 Miller A01K 5/0291
 119/54
 D731,124 S * 6/2015 Shin D30/122
 D736,481 S * 8/2015 Cornwell D30/122
 D739,614 S * 9/2015 Ausman D30/121

D747,047 S * 1/2016 Cornwell D30/122
 D814,124 S * 3/2018 Ward D30/122
 2002/0096120 A1 * 7/2002 Busha A01K 5/0291
 119/51.5
 2005/0000847 A1 * 1/2005 McNeeley A47G 19/26
 206/527
 2005/0252457 A1 * 11/2005 Morosin A01K 5/0291
 119/51.13
 2006/0219187 A1 * 10/2006 Krishnamurthy A01K 5/0275
 119/719
 2007/0012253 A1 * 1/2007 Zheng A01K 5/02
 119/51.02
 2009/0173282 A1 * 7/2009 Wu A01K 5/0114
 119/51.02
 2011/0139076 A1 * 6/2011 Pu A01K 5/0114
 119/51.02
 2011/0186585 A1 * 8/2011 Lu A47J 41/00
 220/575
 2012/0125263 A1 * 5/2012 Northrop A01K 5/0114
 119/52.1
 2013/0269620 A1 * 10/2013 Qiu A01K 5/0135
 119/56.1
 2013/0333622 A1 * 12/2013 Jin A01K 5/0291
 119/51.01
 2015/0143750 A1 * 5/2015 Jalbert E06B 7/32
 49/25
 2016/0000036 A1 * 1/2016 Cornwell, Jr. A01K 5/0291
 119/51.11
 2016/0007564 A1 * 1/2016 Ma A01K 5/0225
 119/57.1
 2016/0029592 A1 * 2/2016 Springer A01K 5/0225
 119/51.11
 2016/0374316 A1 * 12/2016 Mainini A01K 15/026
 119/51.02

* cited by examiner

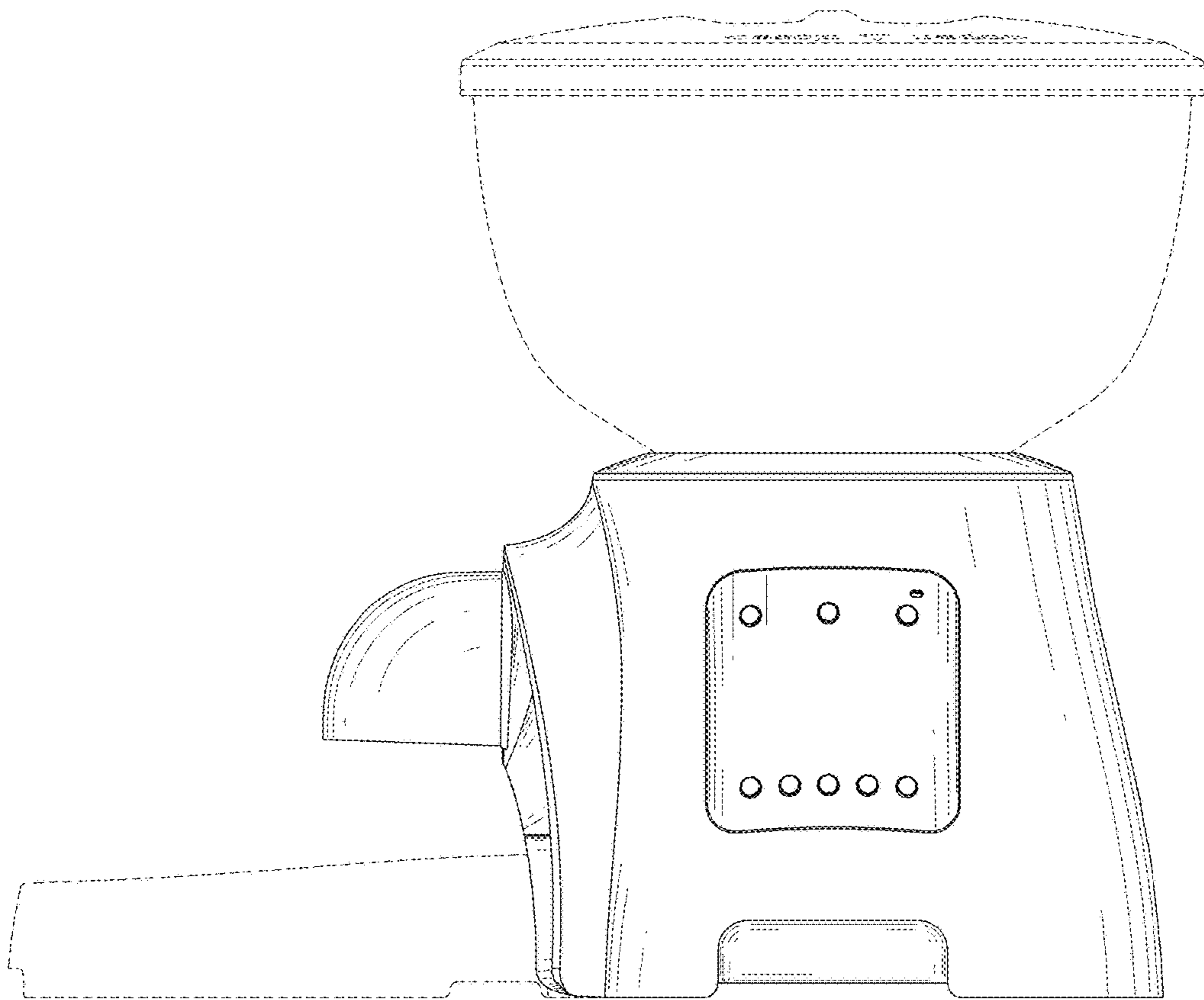


FIG. 1

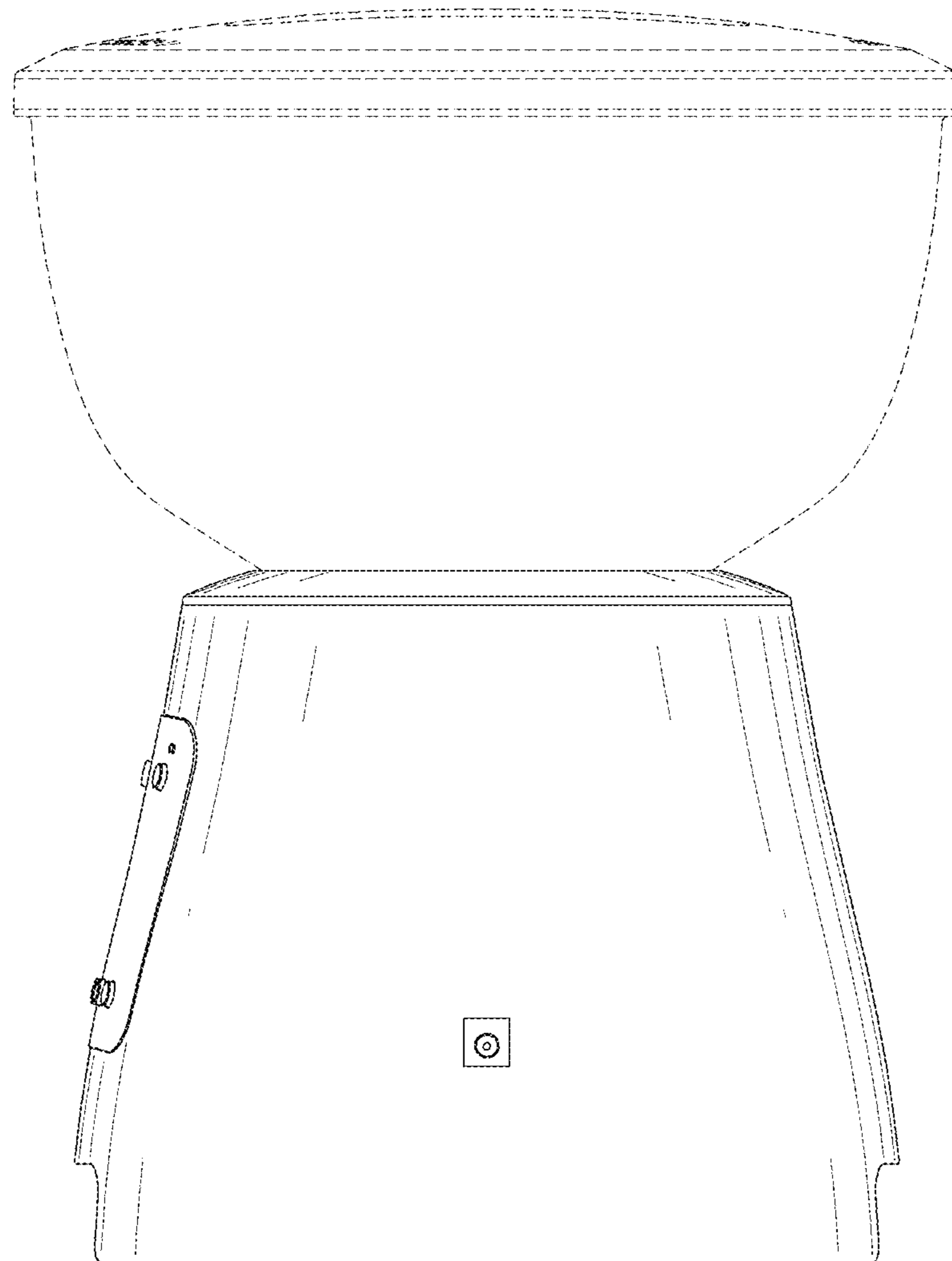


FIG. 2

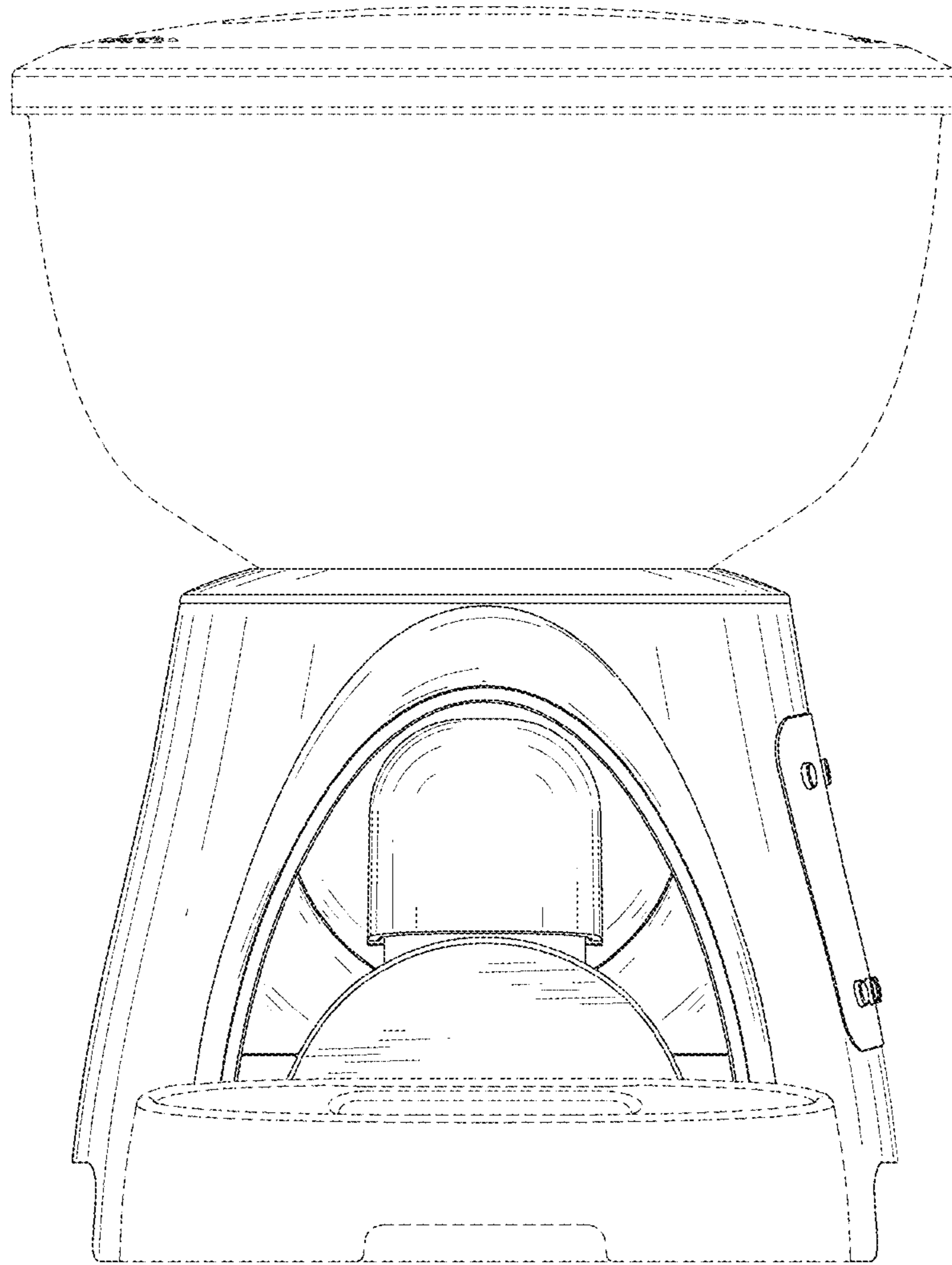


FIG. 3

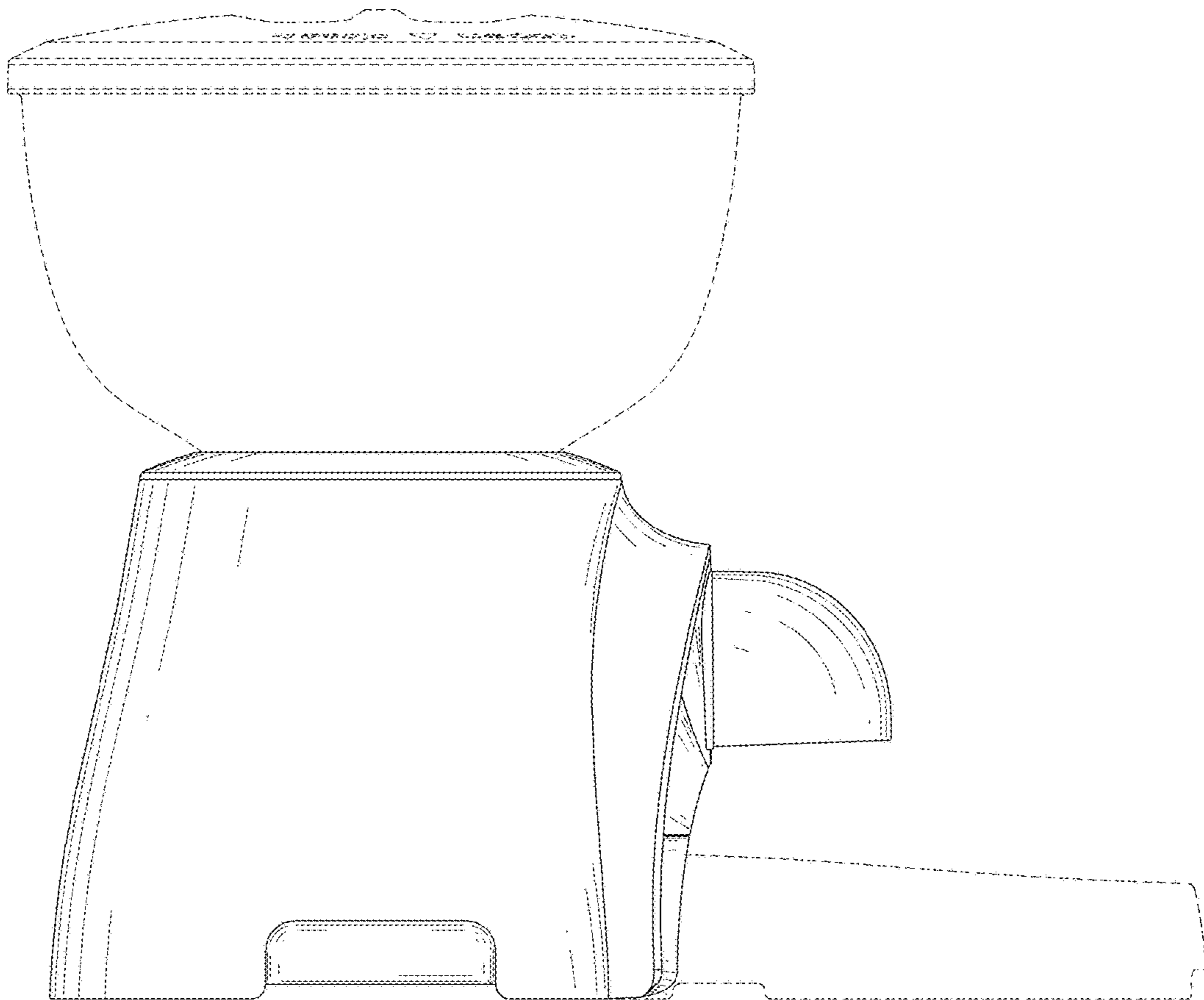


FIG. 4

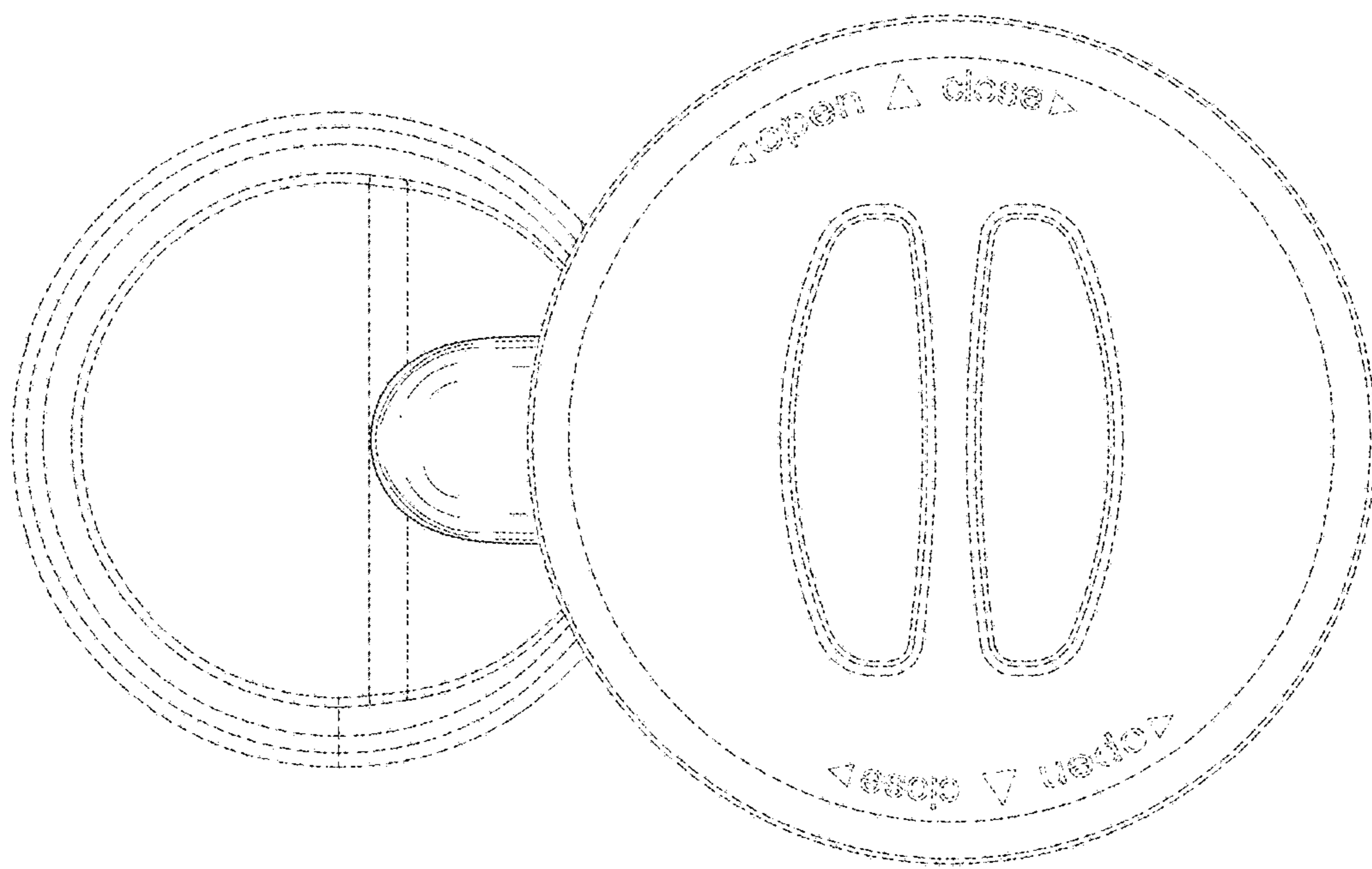


FIG. 5



FIG. 6

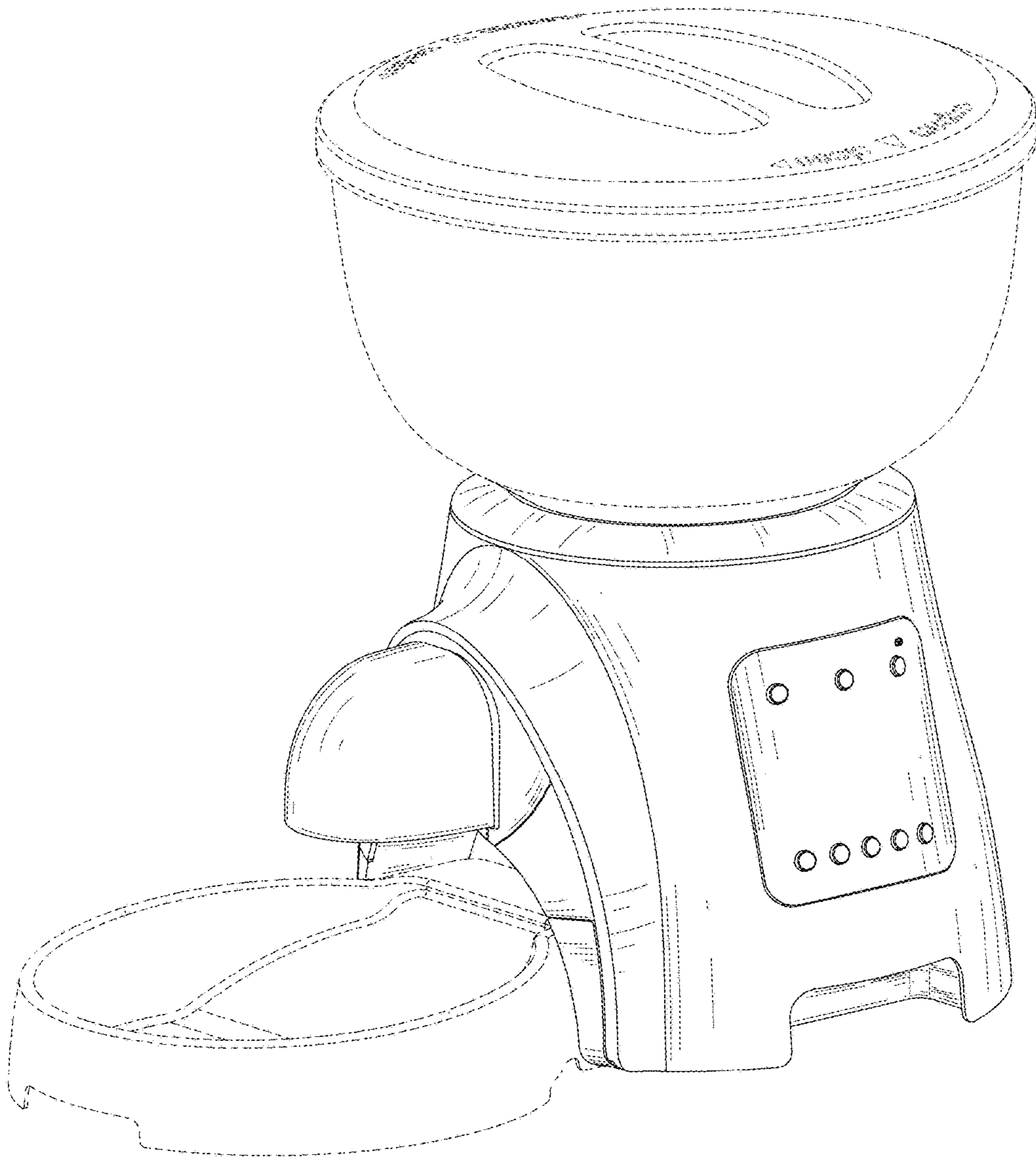


FIG. 7