



US00D822291S

(12) **United States Design Patent**
Spinelli et al.

(10) **Patent No.:** **US D822,291 S**
(45) **Date of Patent:** **** Jul. 3, 2018**

(54) **PET CAGE**
(71) Applicant: **BRÜGGLI**, Romanshorn (CH)
(72) Inventors: **Nico Spinelli**, Zurich (CH); **Marco Stoffel**, Zurich (CH); **Benjamin Bachmann**, Zurich (CH); **Arno Lenzi**, Zurich (CH); **Daniel Irányi**, Zurich (CH); **Tom Stäubli**, Zurich (CH)

(**) Term: **15 Years**

(21) Appl. No.: **35/501,879**

(22) Filed: **Oct. 24, 2016**

(80) **Hague Agreement Data**

Int. Filing Date: **Aug. 9, 2016**
Int. Reg. No.: **DM/093172**
Int. Reg. Date: **Oct. 24, 2016**
Int. Reg. Pub. Date: **Nov. 11, 2016**

(51) **LOC (11) Cl.** **30-02**

(52) **U.S. Cl.**
USPC **D30/108; D30/114**
CPC **A01K 1/033 (2013.01)**

(58) **Field of Classification Search**
USPC **D30/108-120, 161; 119/28.5, 161-169, 119/416, 452, 453, 446, 473, 482, 485, 119/499**
CPC **A01K 1/033; A01K 1/034; A01K 31/08**
See application file for complete search history.

(56) **References Cited**

U.S. PATENT DOCUMENTS

2,975,929 A * 3/1961 Sjoblom B65D 19/06
217/43 A
3,487,814 A * 1/1970 Ingebritsen A01K 1/0245
119/497
3,662,712 A * 5/1972 Singer A01K 1/0236
119/453
4,256,056 A * 3/1981 Sou A01K 1/0245
119/497

D282,880 S * 3/1986 Barati D30/114
5,233,939 A * 8/1993 Randolph A01K 1/0613
119/473
5,701,705 A * 12/1997 Davis A01K 1/00
119/446
D397,082 S * 8/1998 Kunkel D12/406
D399,610 S * 10/1998 Ohadi D30/108
6,499,434 B1 * 12/2002 Tyler A01K 1/0272
119/453
6,997,138 B1 * 2/2006 Simpson A01K 1/033
119/474
D616,157 S * 5/2010 Iranyi D30/108
2001/0027276 A1 * 10/2001 Labrecque A61D 3/00
600/551
2004/0134444 A1 * 7/2004 Shiever A01K 1/0245
119/496
2005/0132973 A1 * 6/2005 Axelrod A01K 1/0245
119/496
2007/0251463 A1 * 11/2007 Lu A01K 1/03
119/452

(Continued)

FOREIGN PATENT DOCUMENTS

EP 000441266-0001 1/2006
EP 000441266-0002 1/2006

(Continued)

Primary Examiner — Richard E Chilcot

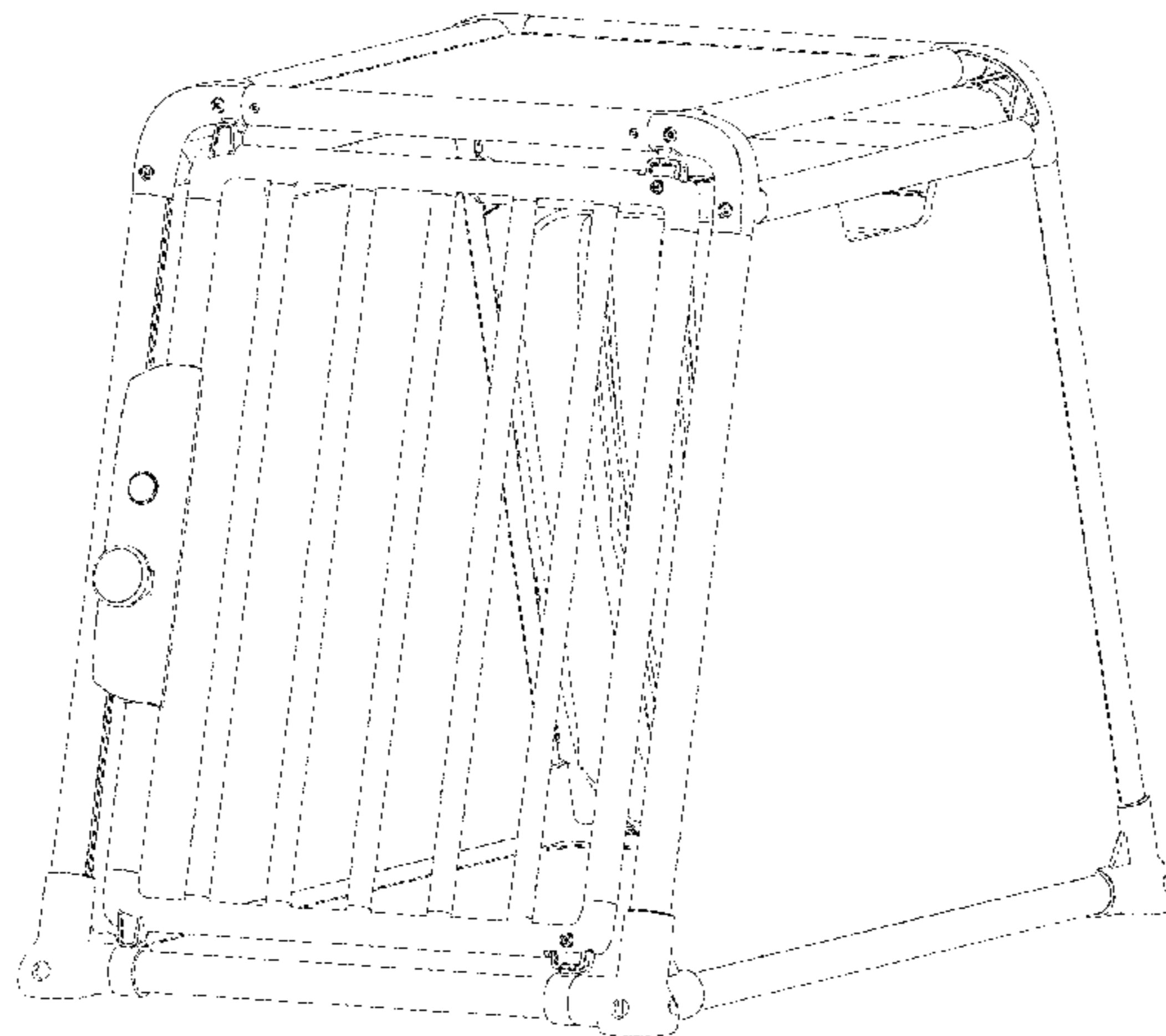
(57) **CLAIM**

The ornamental design for a pet cage, as shown and described.

DESCRIPTION

1. Pet cage
FIG. 1.1 is a front view of a cage for animals in accordance with our design.
FIG. 1.2 is a side view thereof; the left and right side views being identical.
FIG. 1.3 is a rear view thereof.
FIG. 1.4 is a top view thereof.
FIG. 1.5 is a front perspective view thereof.
FIG. 1.6 is a rear perspective view thereof.

1 Claim, 6 Drawing Sheets



(56)

References Cited

U.S. PATENT DOCUMENTS

2009/0165730 A1* 7/2009 Farmer A01K 1/0254
119/453

FOREIGN PATENT DOCUMENTS

EP	000441266-0003	1/2006
EP	000441266-0004	1/2006
EP	000565015-0001	9/2006
EP	000565015-0002	9/2006
EP	000565015-0003	9/2006
EP	000565015-0004	9/2006

* cited by examiner

FIG. 1.1

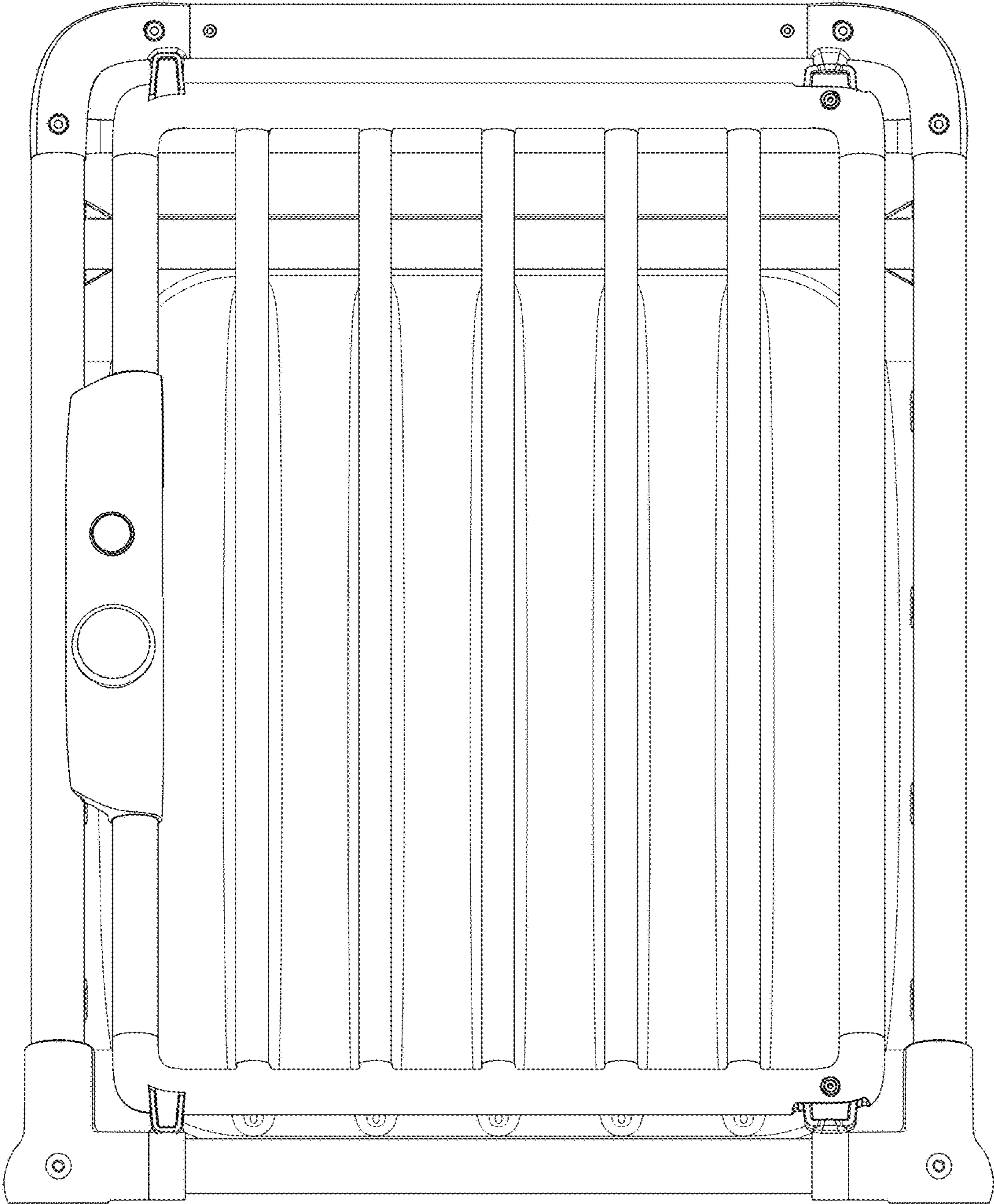


FIG. 1.2

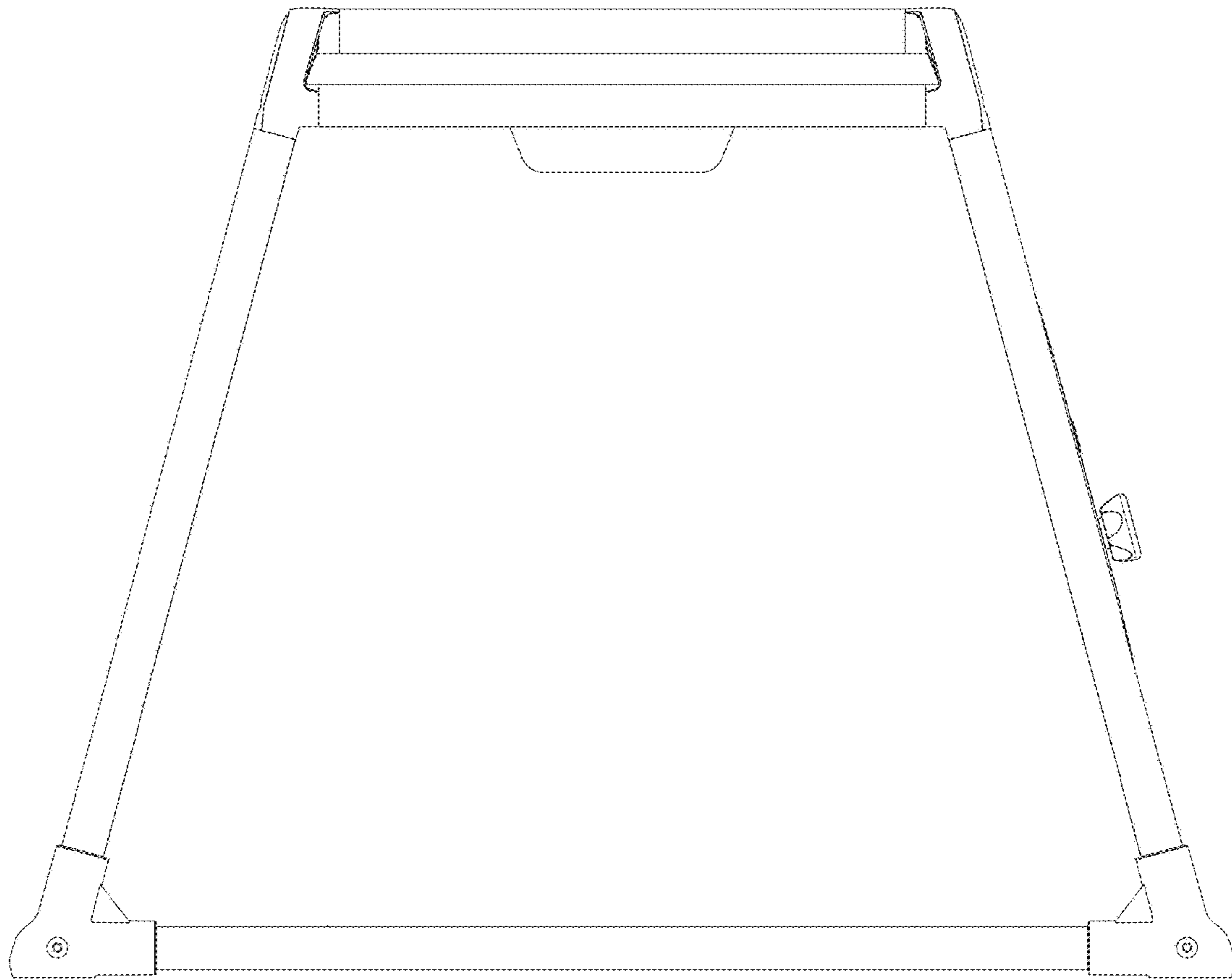


FIG. 1.3

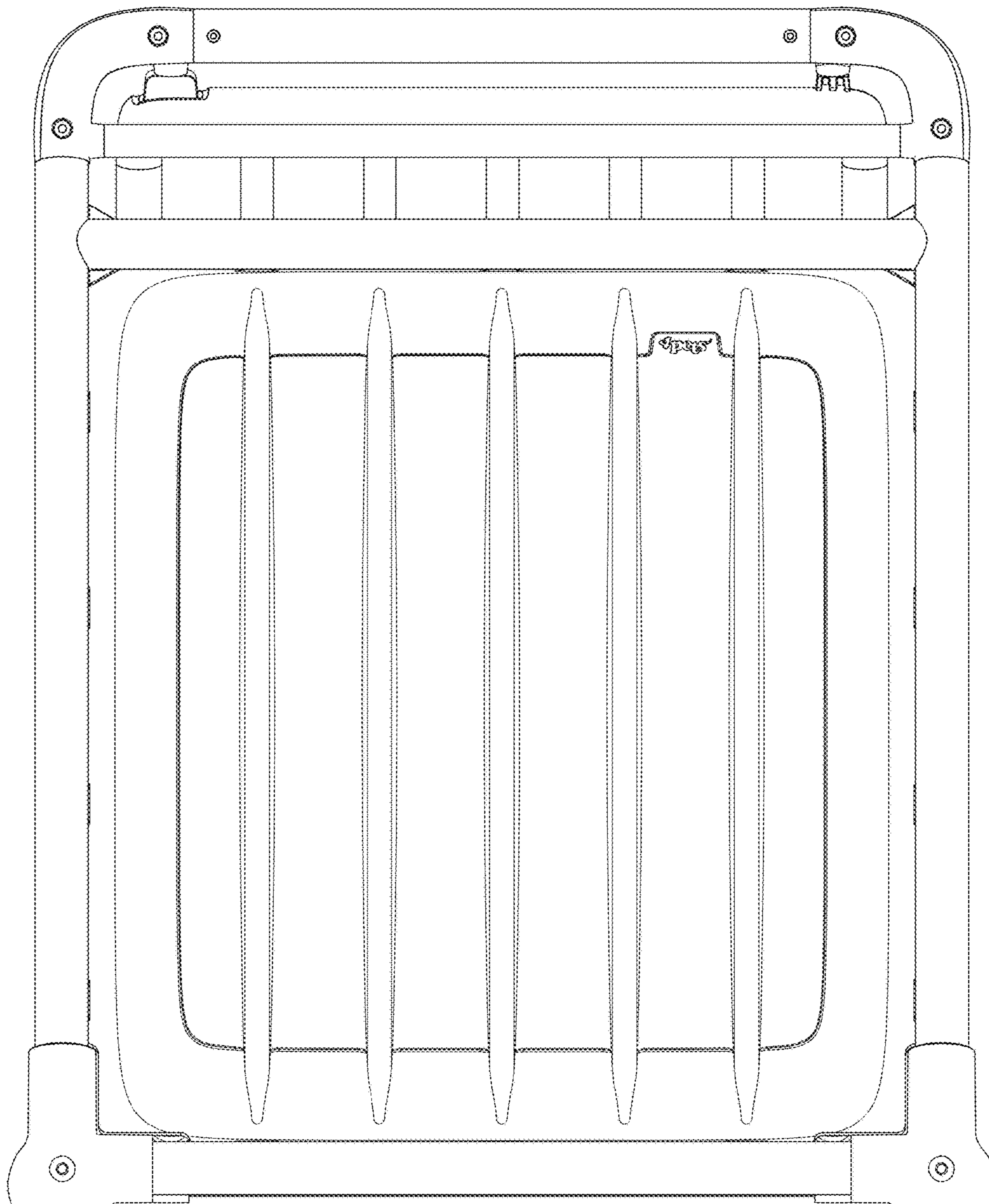


FIG. 1.4

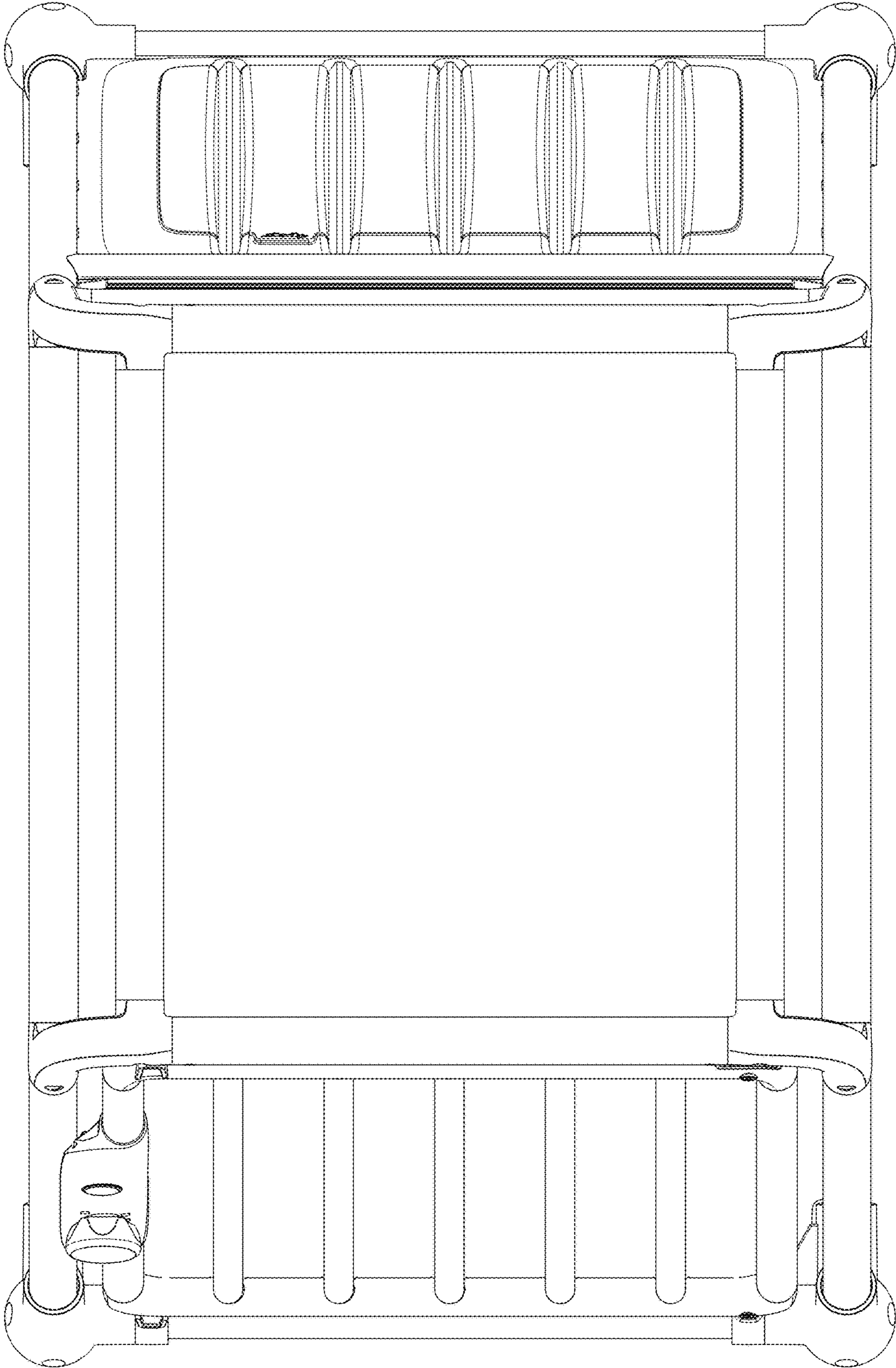


FIG. 1.5

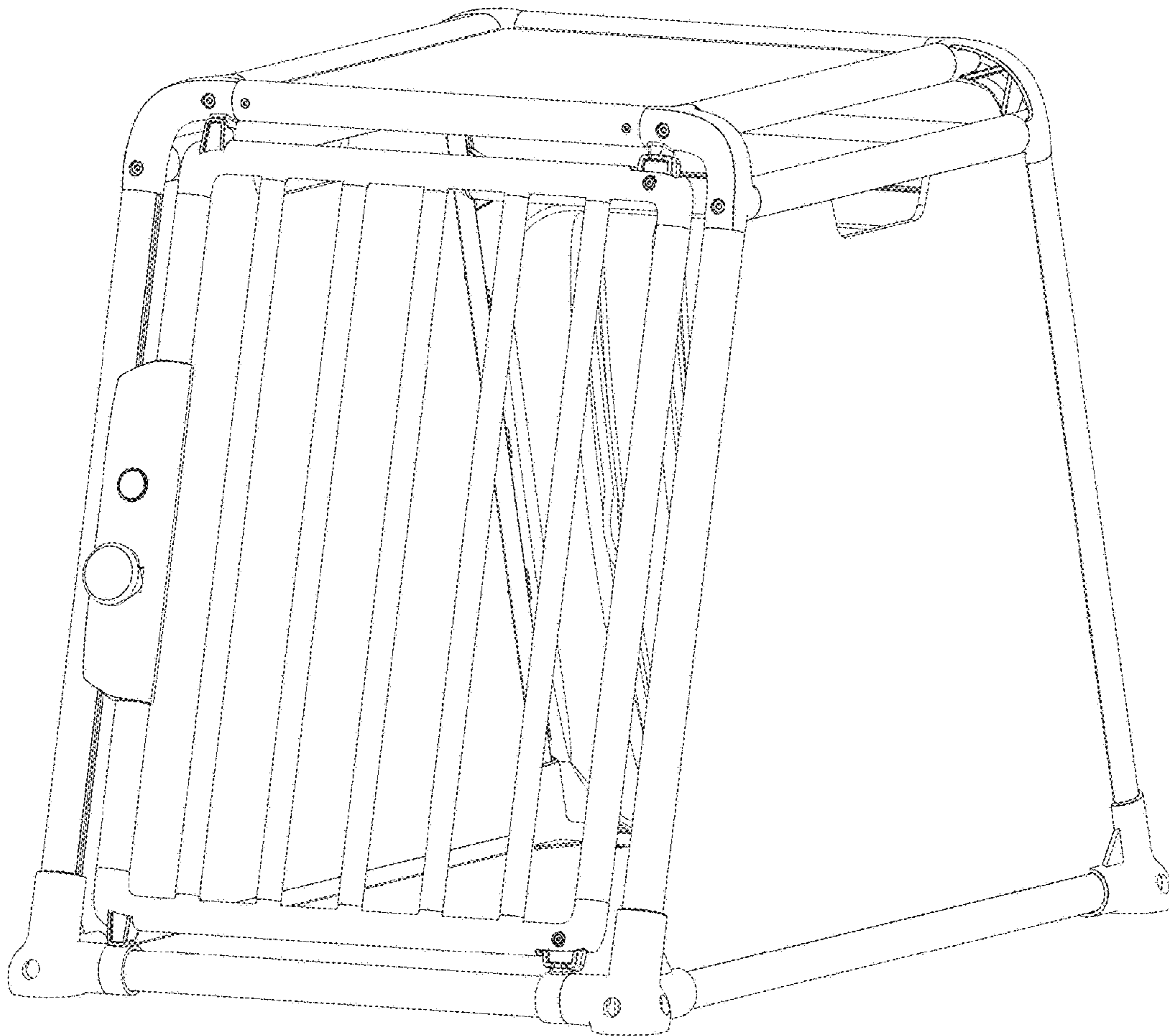


FIG. 1.6

