



US00D822283S

(12) **United States Design Patent** (10) **Patent No.:** **US D822,283 S**
Gaito (45) **Date of Patent:** **** Jul. 3, 2018**

(54) **POP-UP COSMETIC PALETTE**
(71) Applicant: **David Gaito**, Plantation, FL (US)
(72) Inventor: **David Gaito**, Plantation, FL (US)
(**) Term: **15 Years**
(21) Appl. No.: **29/595,697**
(22) Filed: **Mar. 1, 2017**
(51) **LOC (11) Cl.** **28-03**
(52) **U.S. Cl.**
USPC **D28/83**
(58) **Field of Classification Search**
USPC D28/76-78, 81-84; 132/294, 303-305,
132/314-318; D3/205, 901; 206/542,
206/581, 823; D9/426, 430, 432, 549
CPC A45D 40/00; A45D 40/18; A45D 40/0087;
A45D 40/222; A45D 33/00; A45D
33/006; A45D 33/025; A45D 2040/225;
A45D 2034/007; A45D 33/008; A45D
33/003; A45D 33/18; A45D 33/16
See application file for complete search history.

(56) **References Cited**
U.S. PATENT DOCUMENTS
D109,043 S * 3/1938 Adams D28/81
D148,815 S * 2/1948 Olevin 132/295
D428,208 S * 7/2000 Nodarse D28/77
7,614,756 B2 * 11/2009 Yue A45D 42/18
132/304
D632,016 S * 2/2011 Lee D28/83
D687,601 S * 8/2013 Ko D28/77
D688,831 S * 8/2013 Giardina D28/83
D723,742 S * 3/2015 Shteyssel D28/83
D790,134 S * 6/2017 Shteyssel D28/64.3
D814,295 S * 4/2018 Hoggarth D9/432
D815,358 S * 4/2018 Wolfe D28/83
2009/0095316 A1 * 4/2009 Gensch A45D 40/18
132/317

2015/0282588 A1* 10/2015 Hynek A45D 33/006
132/315
2017/0347773 A1* 12/2017 Seidler A45D 40/023
2018/0064229 A1* 3/2018 Corsi A45D 33/008

OTHER PUBLICATIONS

Pop-up Palette, Ofra, posted at ofracosmetics.com, date and author not listed © 2018 Ofra Cosmetics, online, site visited Apr. 16, 2018. Available from Internet, URL: <https://www.ofracosmetics.com/products/pop-up-palette> (Year: 2018).*

* cited by examiner

Primary Examiner — Shannon Weekley Morgan
Assistant Examiner — Altaira J Swangin
(74) *Attorney, Agent, or Firm* — Garrity Traina, PLLC;
Christopher Traina, Esq.

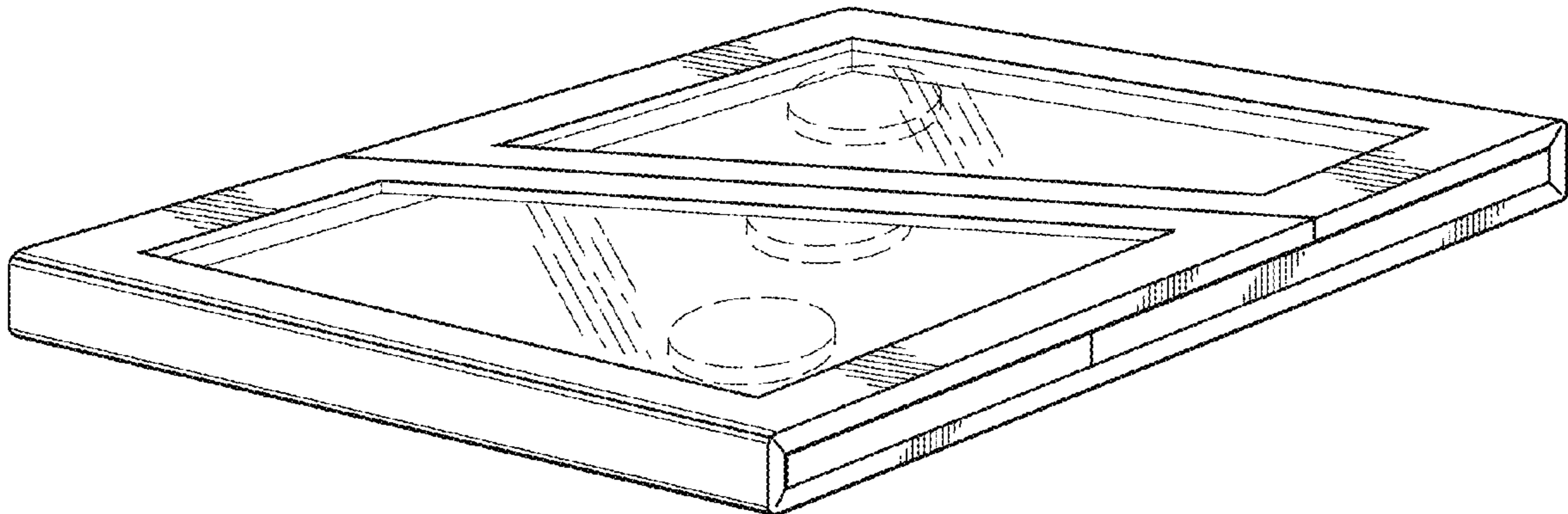
(57) **CLAIM**

The ornamental design for a pop-up cosmetic palette, as shown and described.

DESCRIPTION

FIG. 1 is a perspective view of the pop-up cosmetic palette in its closed configuration.
FIG. 2 is a perspective view of the pop-up cosmetic palette in its partially opened configuration.
FIG. 3 is a perspective view of the pop-up cosmetic palette in its standing configuration.
FIG. 4 is a top plan view of FIG. 1.
FIG. 5 is a bottom plan view of FIG. 1.
FIG. 6 is a left-side view of FIG. 1; and,
FIG. 7 is a front plan view of the pop-up cosmetic palette in its opened configuration.
The broken lines in the drawings show portions of the pop-up cosmetic palette which form no part of the claimed design.

1 Claim, 5 Drawing Sheets



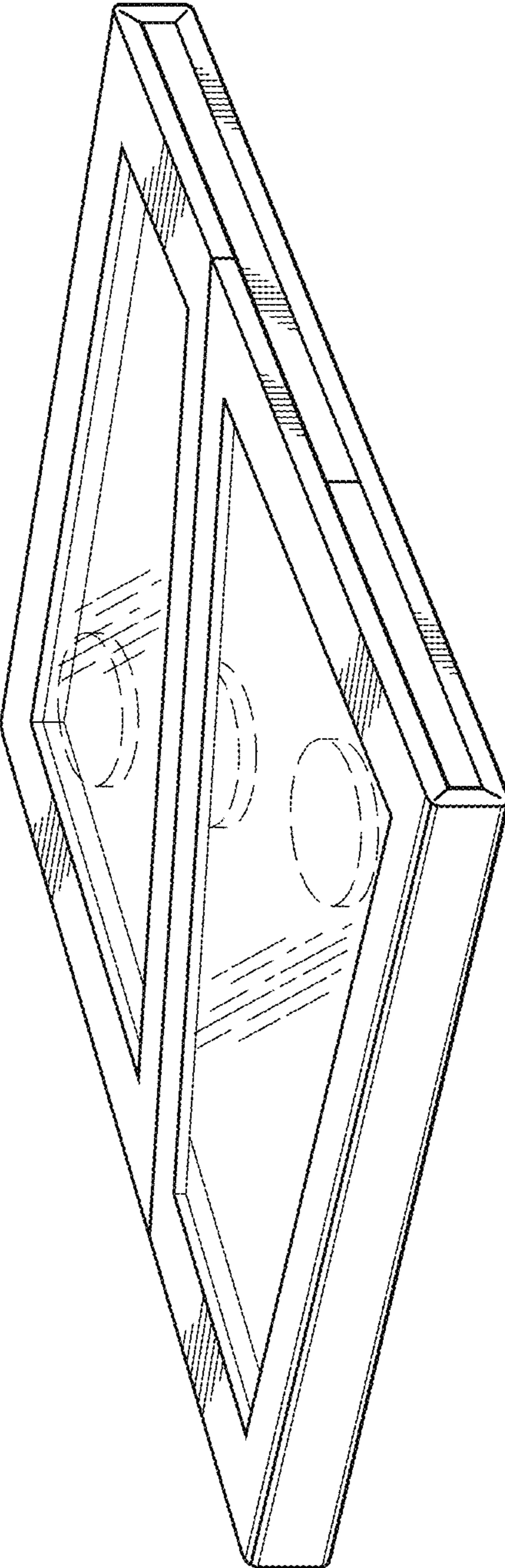


FIG. 1

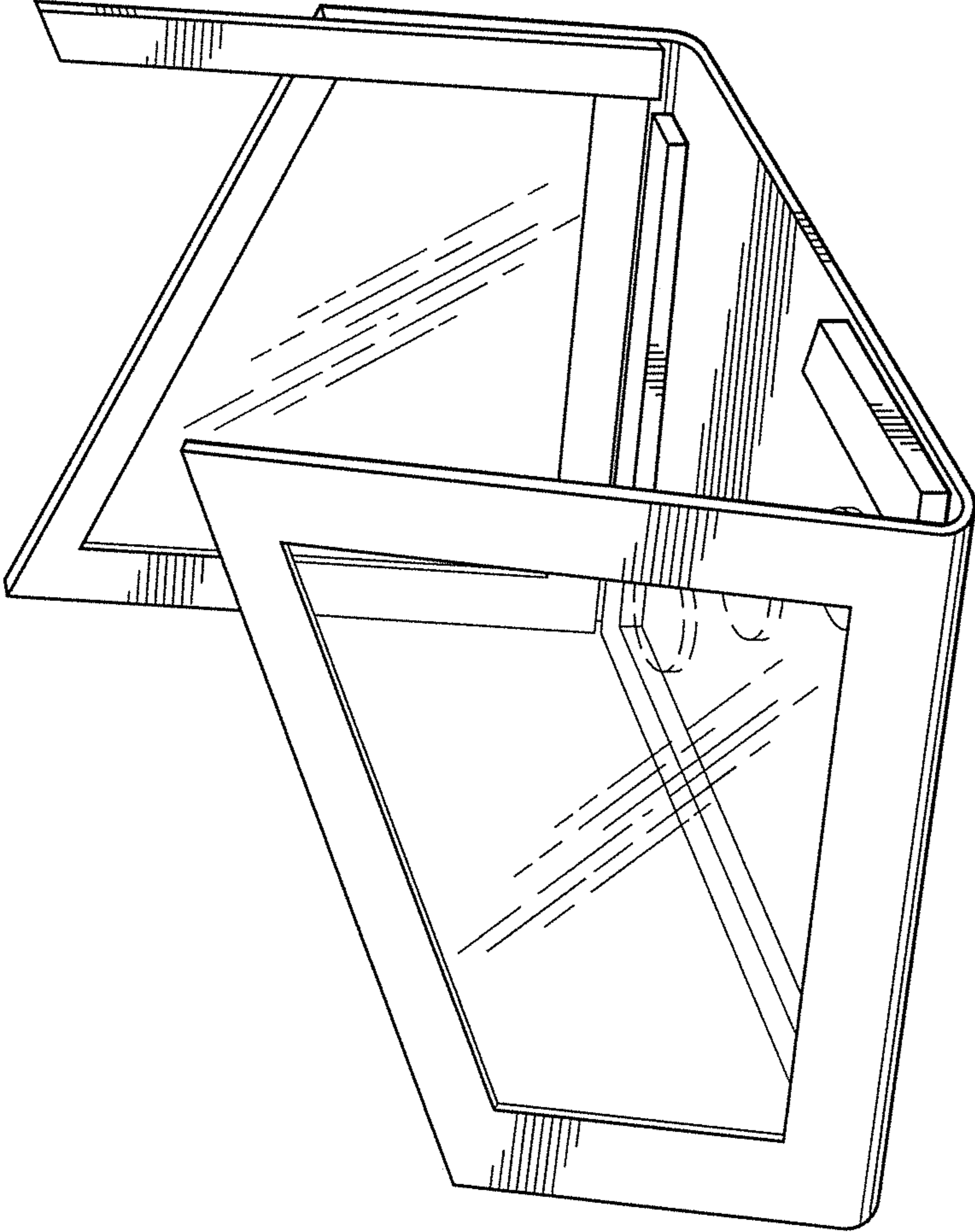


FIG. 2

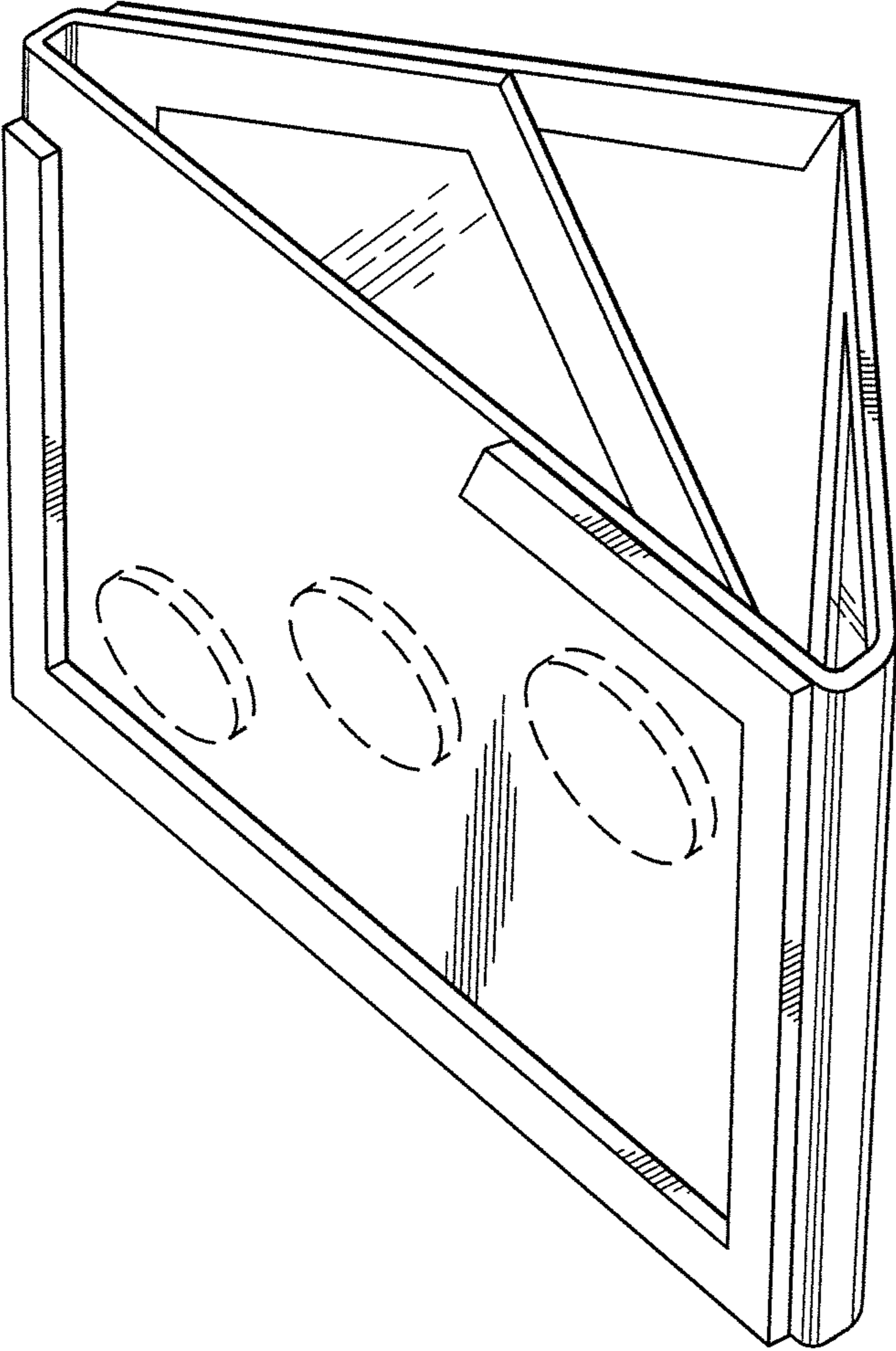


FIG. 3



FIG. 4

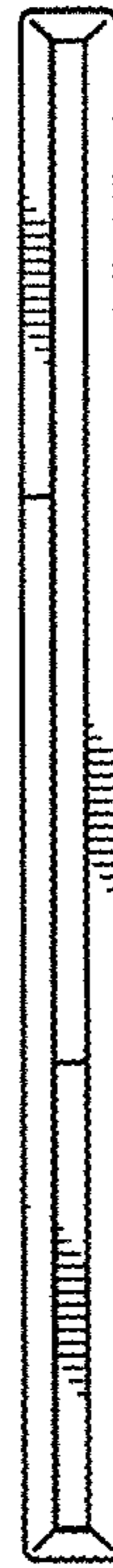


FIG. 5



FIG. 6

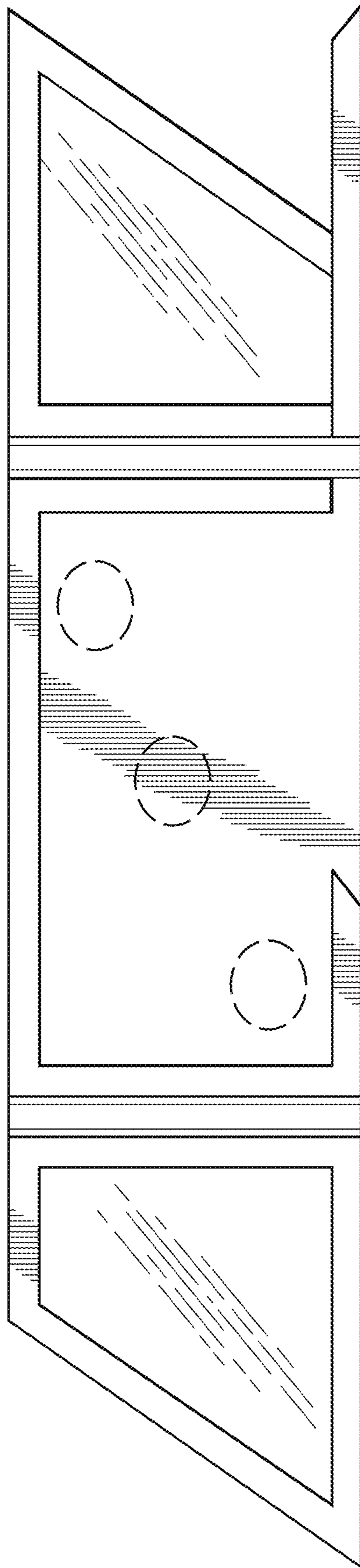


FIG. 7