



US00D822282S

(12) **United States Design Patent**
Montoli

(10) **Patent No.:** **US D822,282 S**

(45) **Date of Patent:** **** Jul. 3, 2018**

(54) **COMPACT**

(71) Applicant: **Antonio Montoli**, Varese (IT)

(72) Inventor: **Antonio Montoli**, Varese (IT)

(**) Term: **15 Years**

(21) Appl. No.: **29/557,605**

(22) Filed: **Mar. 10, 2016**

Related U.S. Application Data

(63) Continuation of application No. PCT/US2014/055353, filed on Sep. 12, 2014.

(51) **LOC (11) Cl.** **28-03**

(52) **U.S. Cl.**
USPC **D28/82**; D9/529; D9/504

(58) **Field of Classification Search**
USPC D28/76-81, 82-83, 85-89, 84;
D9/503-505, 529

CPC A45D 40/22-40/24; A45D 33/00; A45D
33/003; A45D 33/006; A45D 33/04;
A45D 33/22; A45D 33/24

See application file for complete search history.

(56) **References Cited**

U.S. PATENT DOCUMENTS

663,415	A	*	12/1900	Charles	220/4.21
D274,848	S	*	7/1984	Chevassus	D28/76
D285,657	S	*	9/1986	Poore	D9/733
D484,644	S	*	12/2003	Noh	D28/76
D485,016	S	*	1/2004	Noh	D28/76
D485,017	S	*	1/2004	Noh	D28/76

D486,393	S	*	2/2004	Chuang	D9/503
D503,829	S	*	4/2005	Tanii	D28/76
D570,689	S	*	6/2008	Chang	D9/446
D621,261	S	*	8/2010	DeMarco	D9/504
D645,750	S	*	9/2011	Lee	D9/445
D699,112	S	*	2/2014	Jung	D28/76
D733,967	S	*	7/2015	Schlatter	D28/85
D748,865	S	*	2/2016	Hall	D28/85
D765,512	S	*	9/2016	Joulia	D28/7
D784,138	S	*	4/2017	Kim	D9/454
2016/0235183	A1	*	8/2016	Lee	B05B 15/002
2016/0242530	A1	*	8/2016	Son	A45D 34/04

* cited by examiner

Primary Examiner — Jennifer Rivard

(57) **CLAIM**

The ornamental design for a compact, as shown and described.

DESCRIPTION

FIG. 1 is a perspective view of a compact in accordance with my new design;

FIG. 2 is a front view thereof;

FIG. 3 is a rear view thereof;

FIG. 4 is a left view thereof;

FIG. 5 is a right view thereof;

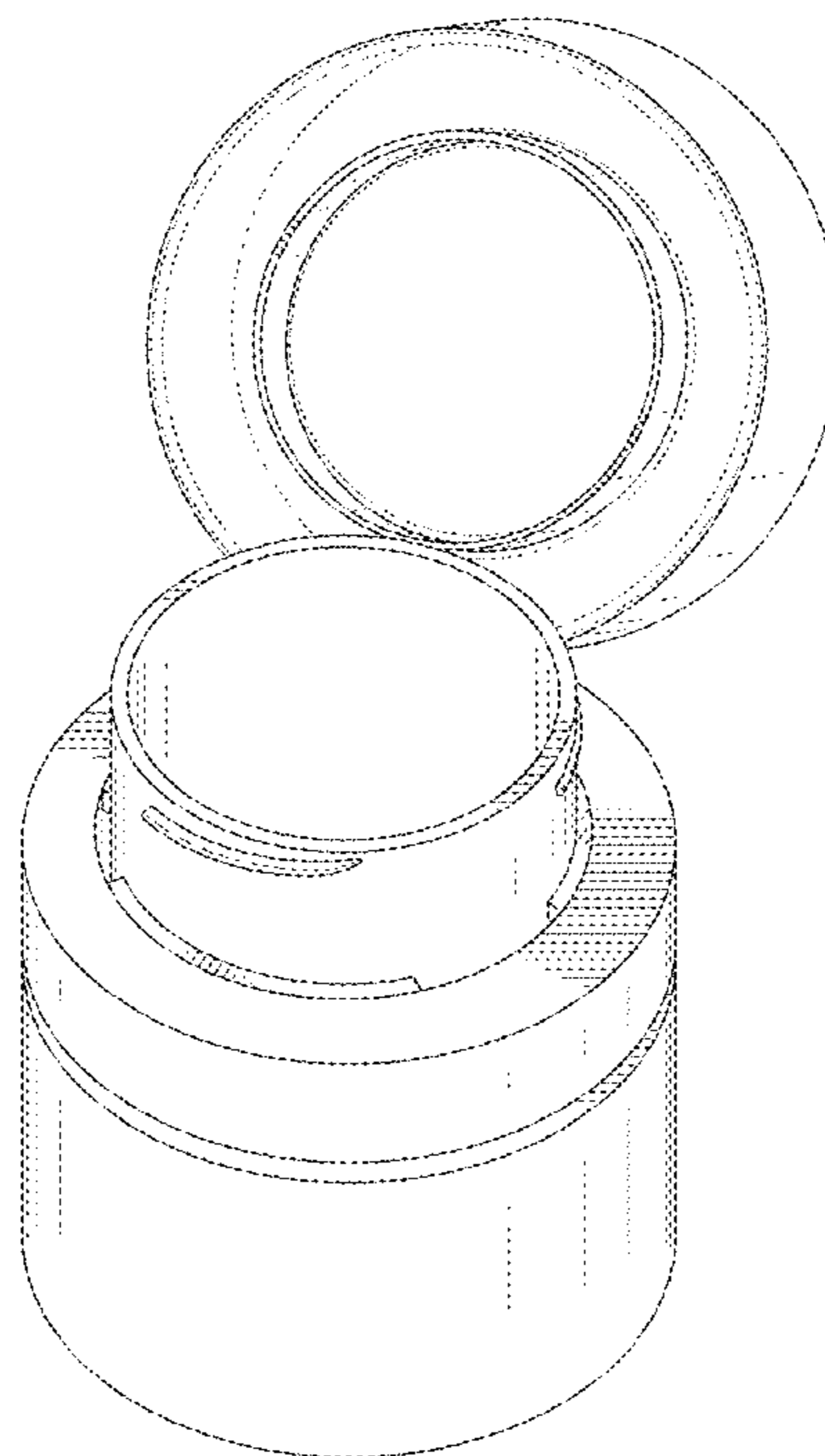
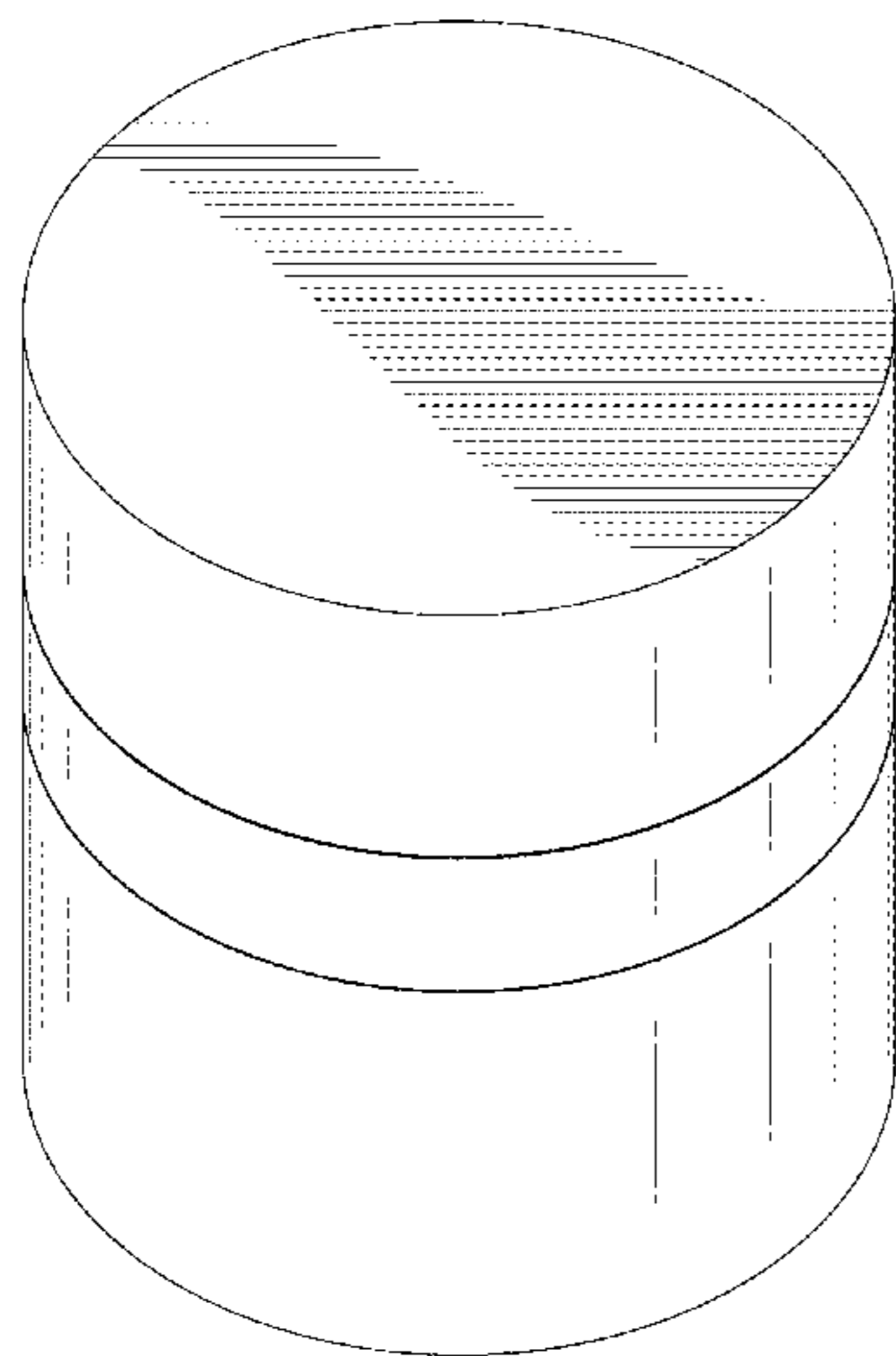
FIG. 6 is a top view thereof;

FIG. 7 is a bottom view thereof; and,

FIG. 8 is another perspective view thereof in a partially separated state.

The broken lines illustrate portions of the compact and form no part of the claimed design.

1 Claim, 8 Drawing Sheets



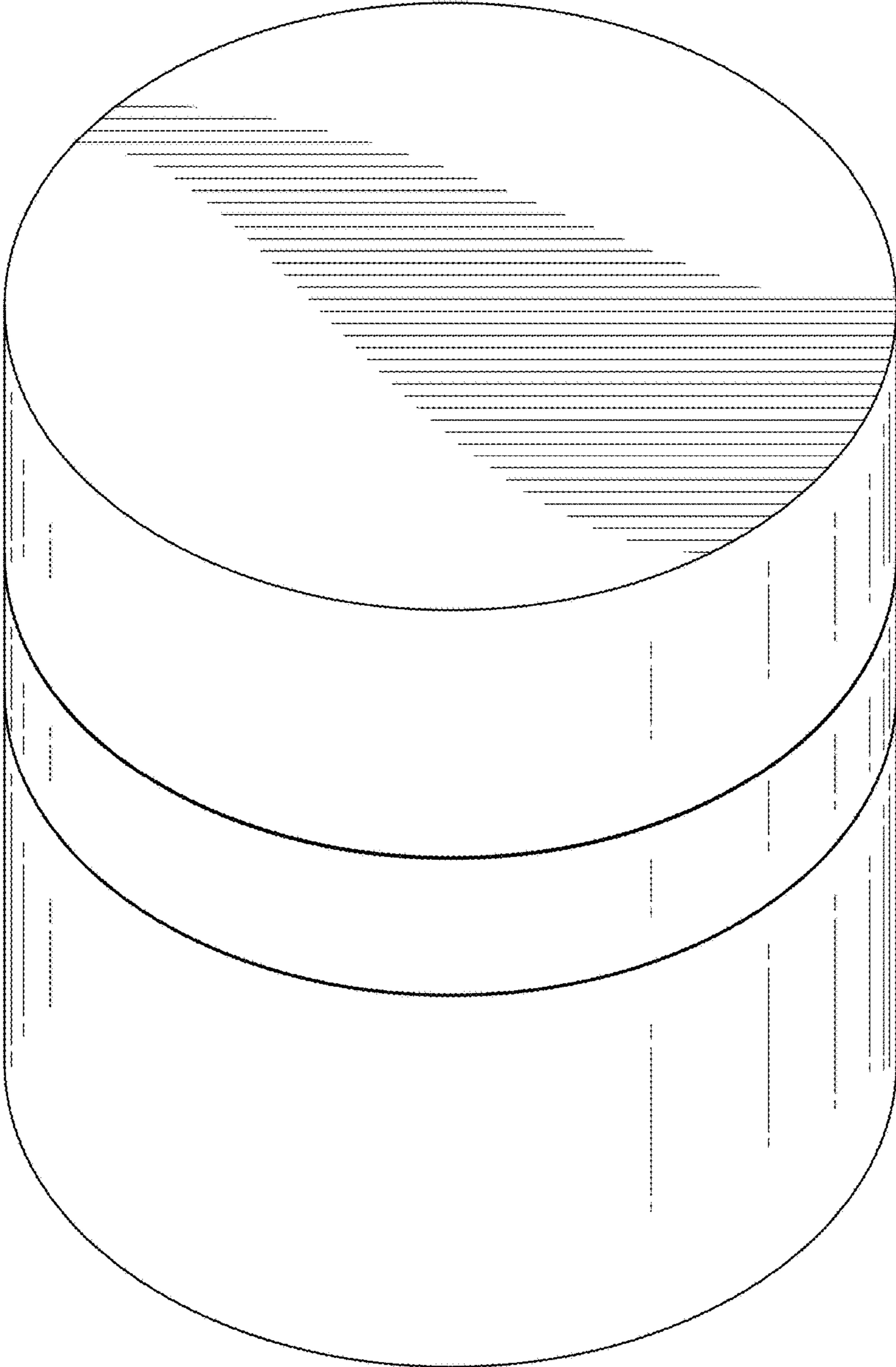


FIG. 1

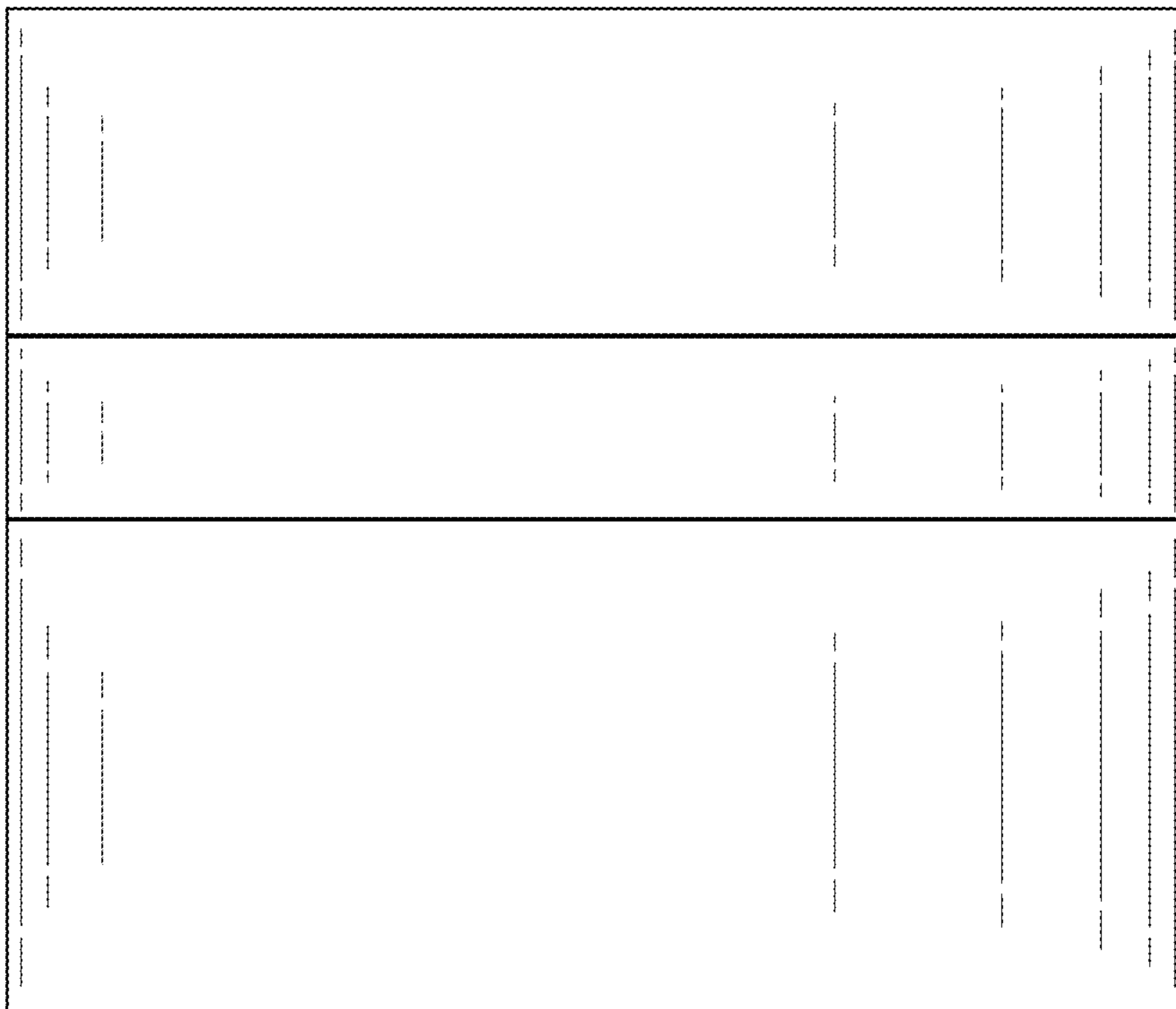


FIG. 2

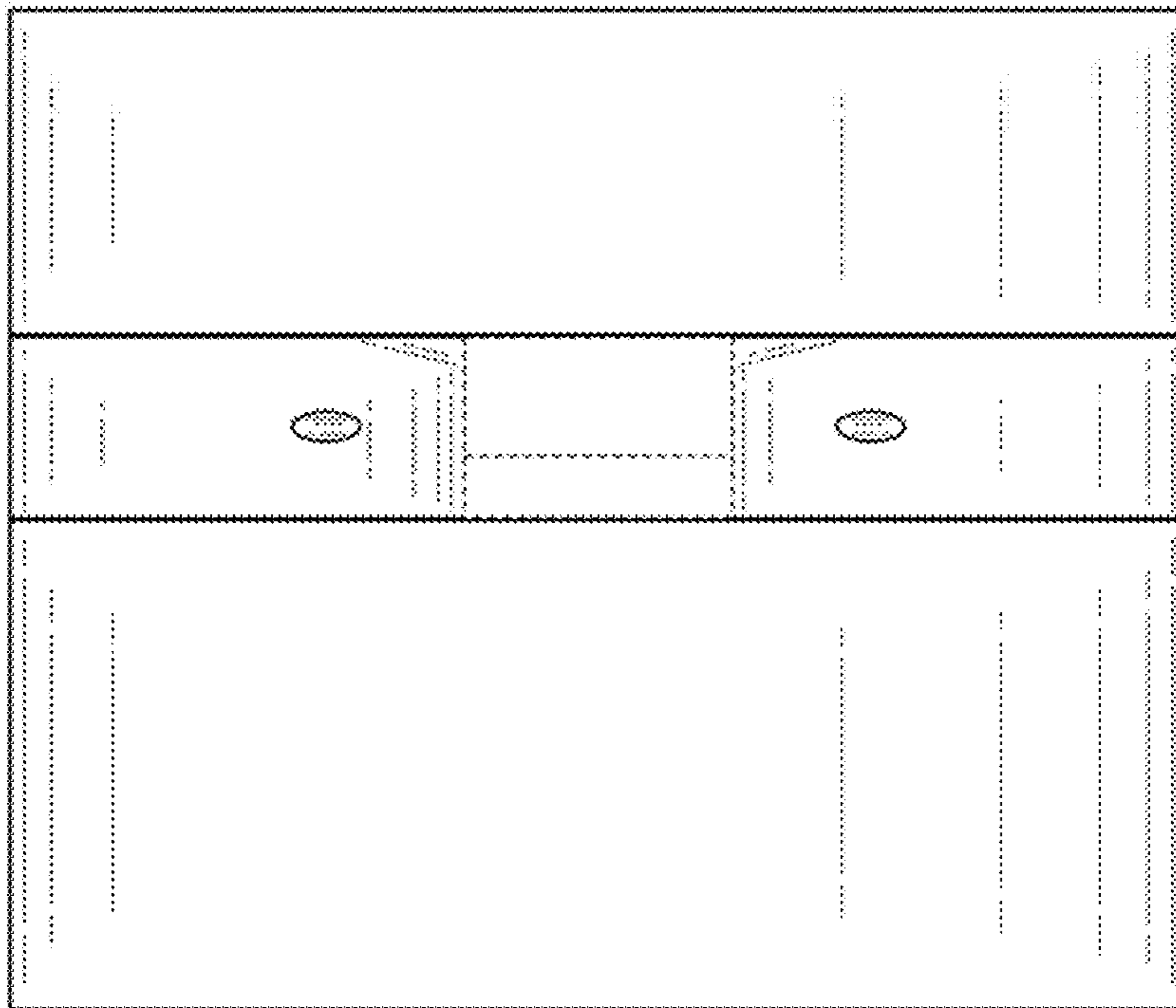


FIG. 3

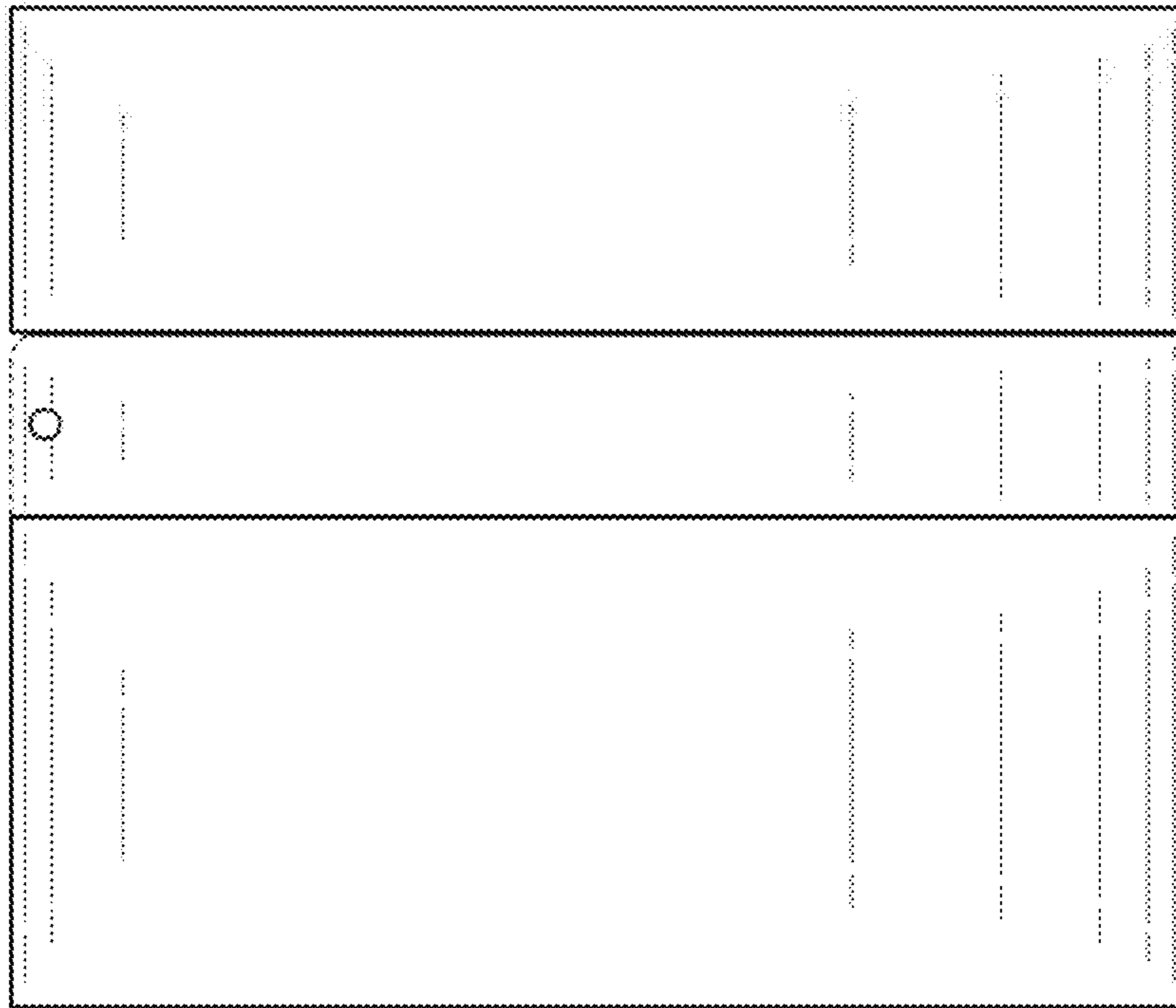


FIG. 4

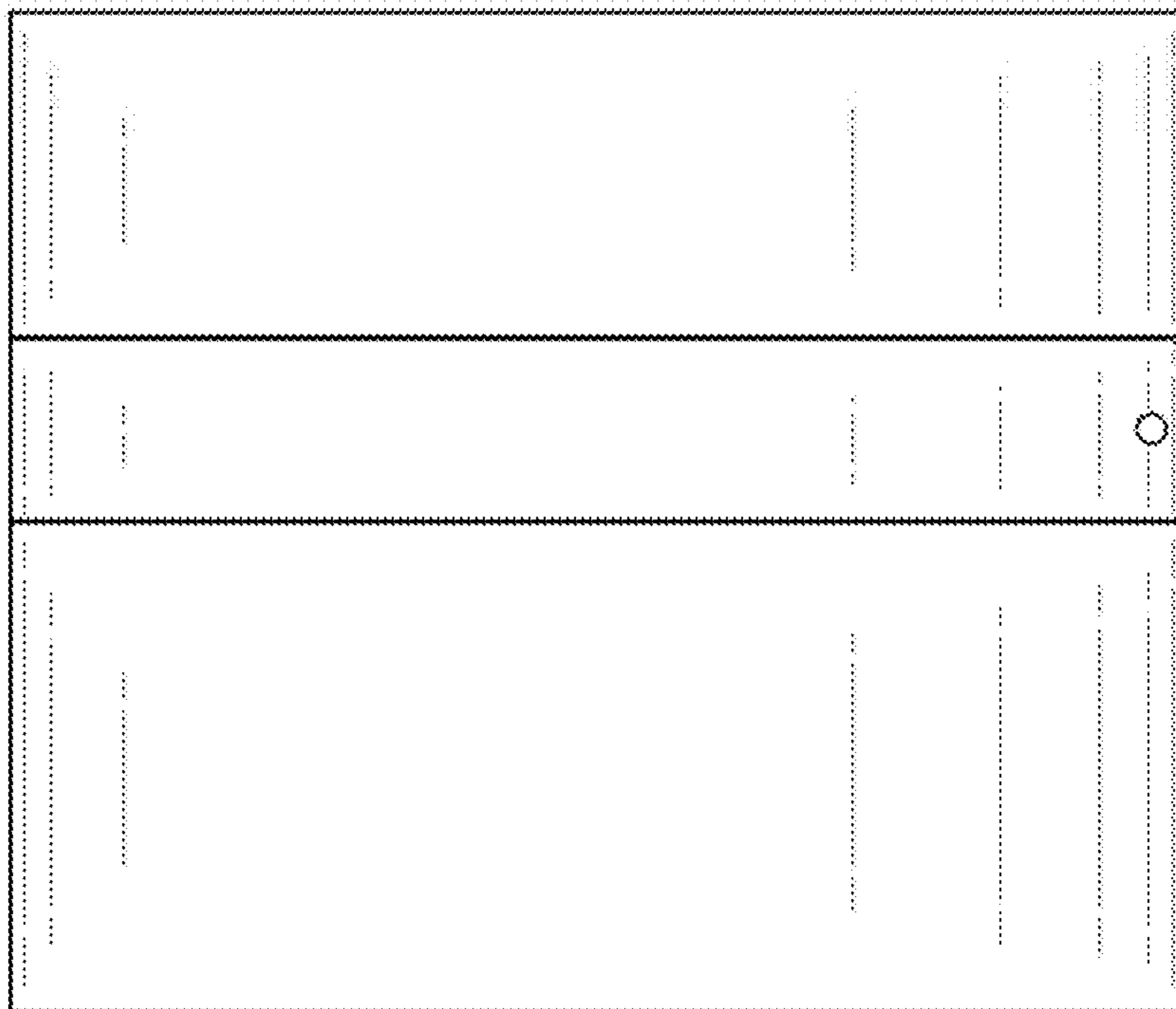


FIG. 5

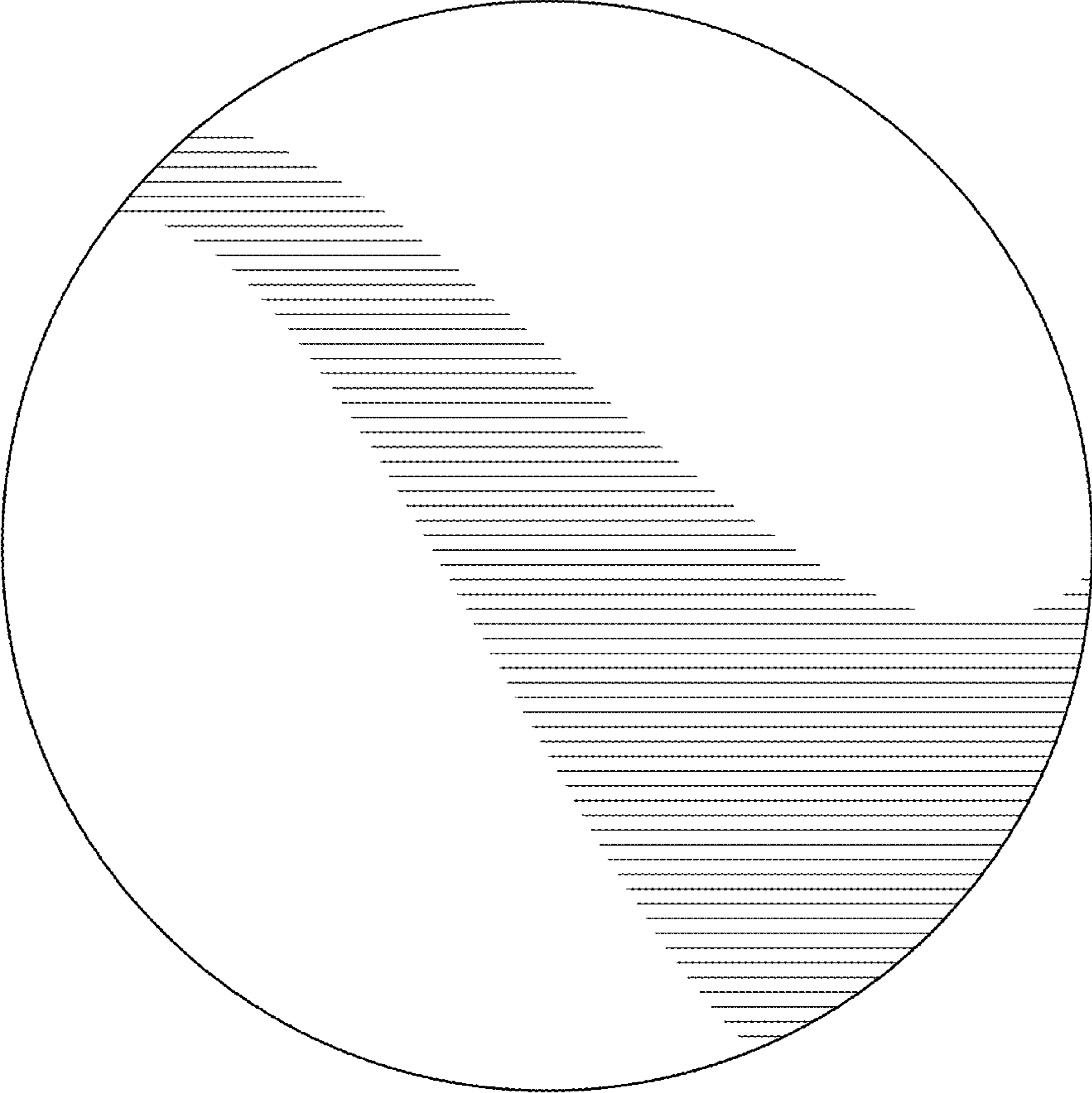


FIG. 6

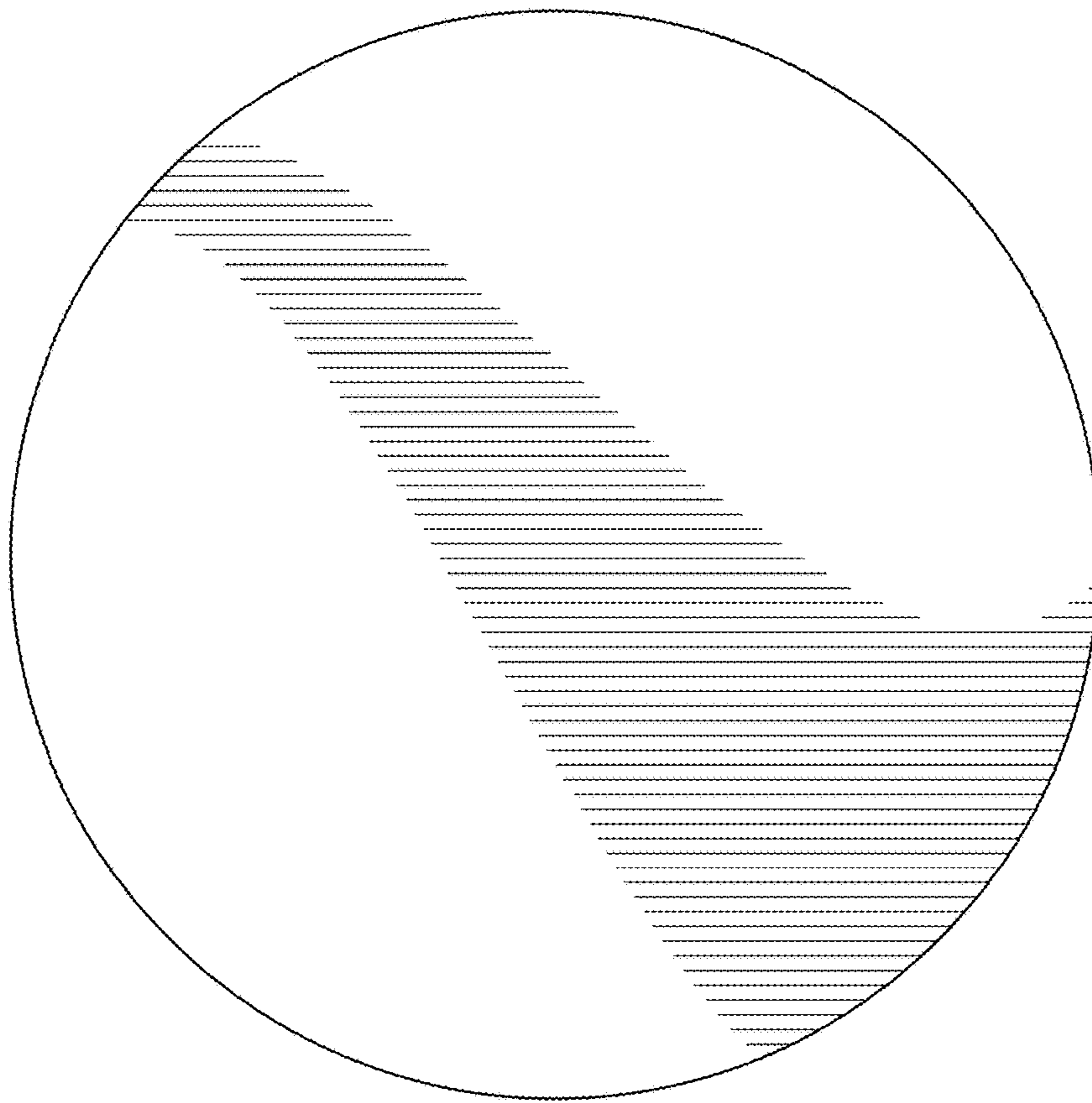


FIG. 7

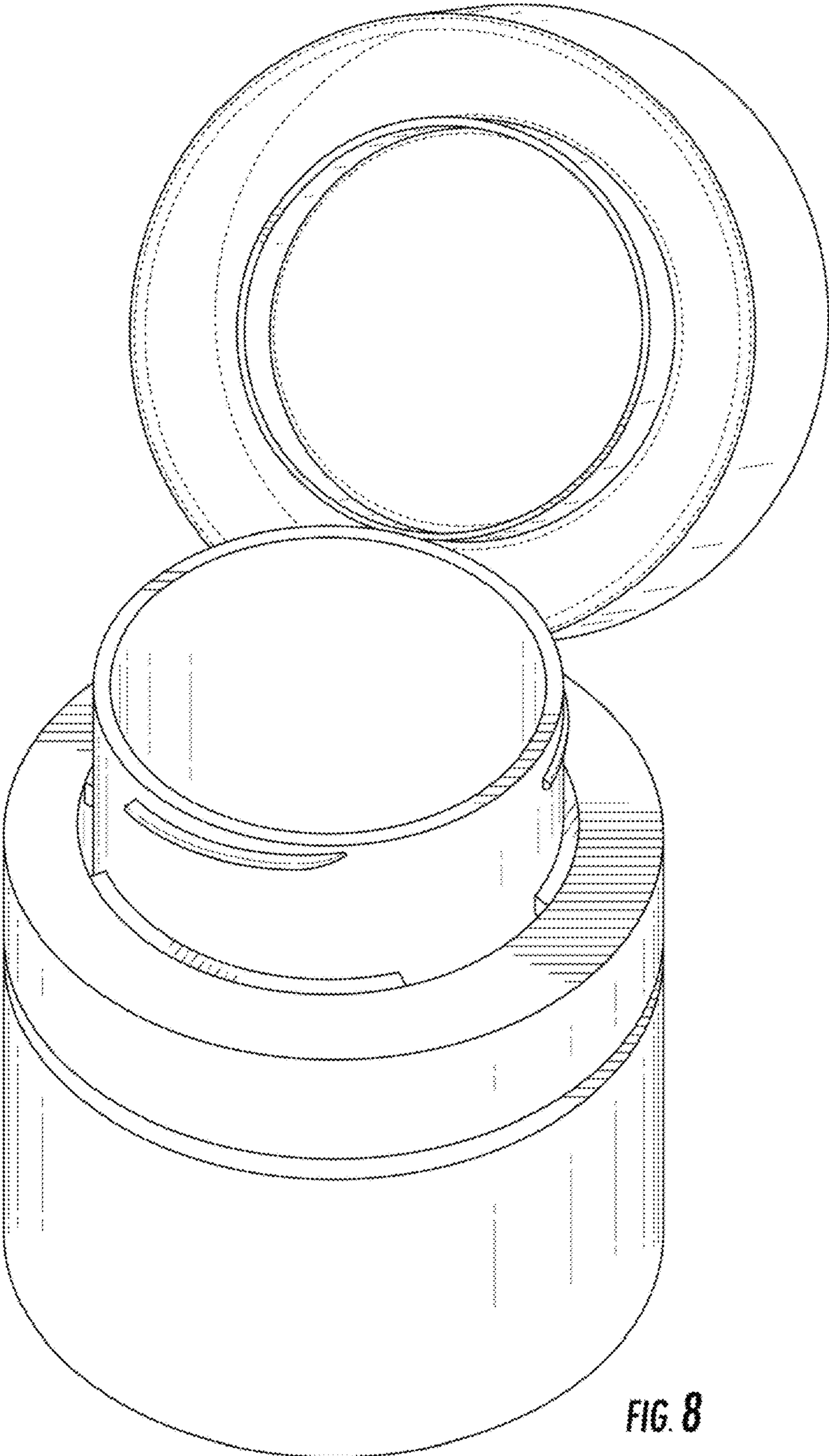


FIG. 8