



US00D822281S

(12) **United States Design Patent**  
**Komai**

(10) **Patent No.:** **US D822,281 S**

(45) **Date of Patent:** **\*\* Jul. 3, 2018**

- (54) **TRAY**
- (71) Applicant: **Mao Komai**, Tokyo (JP)
- (72) Inventor: **Mao Komai**, Tokyo (JP)
- (73) Assignee: **SHISEIDO CO., LTD.**, Tokyo (JP)
- (\*\*) Term: **15 Years**
- (21) Appl. No.: **29/545,354**
- (22) Filed: **Nov. 12, 2015**
- (51) **LOC (11) Cl.** ..... **28-03**
- (52) **U.S. Cl.**  
USPC ..... **D28/61**
- (58) **Field of Classification Search**  
USPC ..... D27/100, 101, 102, 162, 163, 164, 165,  
D27/166, 167, 168, 169, 170, 171, 172,  
D27/175, 180, 183, 184, 186, 187, 188,  
D27/189, 193, 194; D3/273, 274, 294;  
D7/396.1, 550.1, 553.1; D28/61, 4,  
D28/76-78, 83  
CPC ..... A24F 47/008; A24F 47/002  
See application file for complete search history.

- D565,905 S \* 4/2008 Valderrama ..... D7/500
- D593,803 S \* 6/2009 Olsson ..... D7/538
- D596,902 S \* 7/2009 Hrovat ..... D7/550.1
- D610,410 S \* 2/2010 Haas ..... D7/587
- D623,018 S \* 9/2010 Reyhan ..... D7/550.1
- D641,588 S \* 7/2011 Cole ..... D7/396.1
- D702,888 S \* 4/2014 Dittmer ..... D28/76
- D716,500 S \* 10/2014 Parker ..... D28/83
- D716,610 S \* 11/2014 Ritch ..... D7/553.1
- D718,905 S \* 12/2014 Matsuishi ..... D28/83
- D721,855 S \* 1/2015 Lavigne ..... D28/83
- D722,205 S \* 2/2015 Parker ..... D28/83
- D722,724 S \* 2/2015 Guor ..... D28/83
- D723,218 S \* 2/2015 Goswell ..... D28/83
- D734,102 S \* 7/2015 Schonfeld ..... D7/645
- D737,509 S \* 8/2015 Now ..... D27/194

(Continued)

*Primary Examiner* — Brandon M Rosati  
*Assistant Examiner* — Marissa J Cash  
 (74) *Attorney, Agent, or Firm* — Manabu Kanesaka

(57) **CLAIM**

The ornamental design for a tray, as shown and described.

**DESCRIPTION**

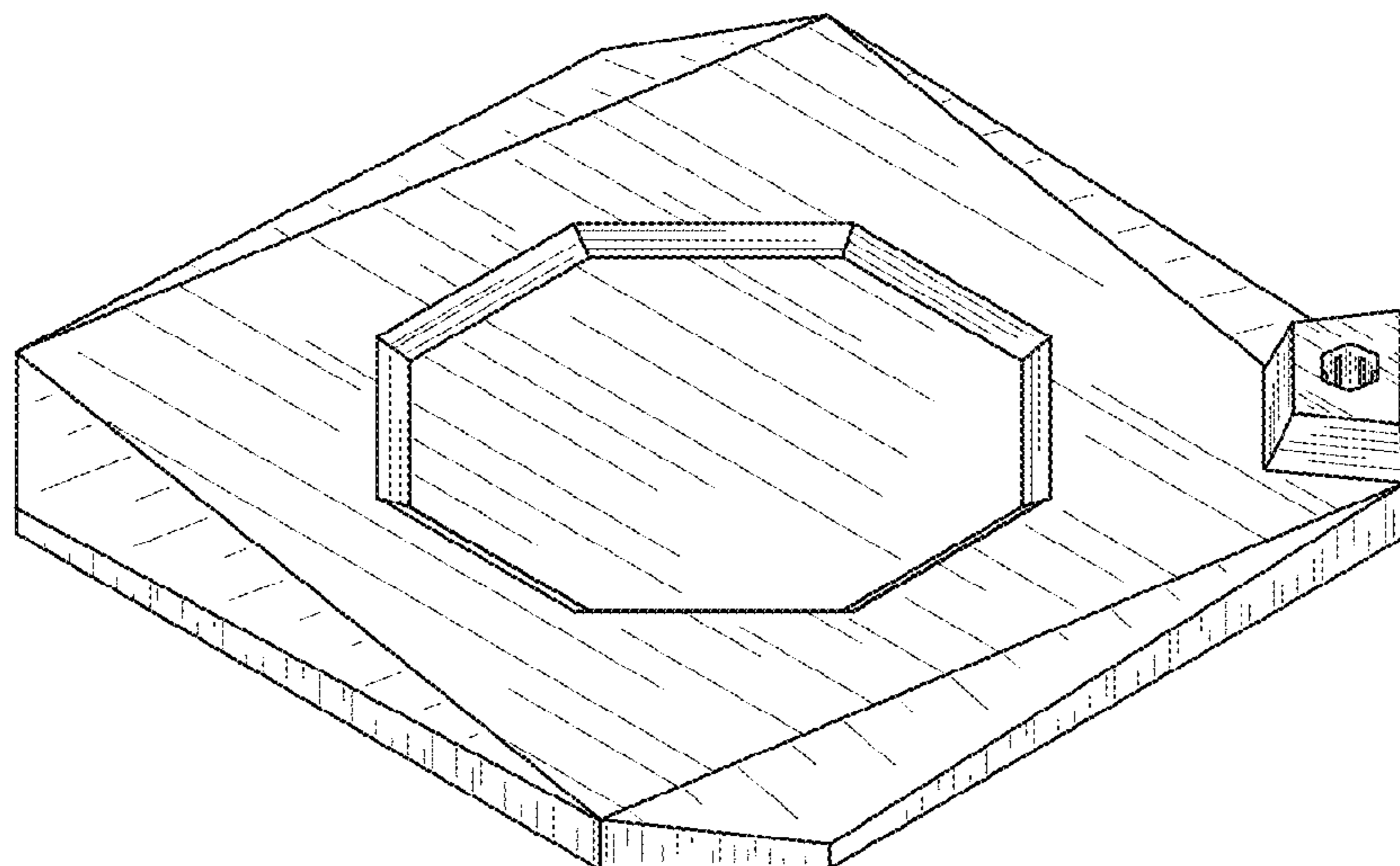
FIG. 1 is a perspective view of a tray showing my new design;  
 FIG. 2 is a front view thereof;  
 FIG. 3 is a rear view thereof;  
 FIG. 4 is a plan view thereof;  
 FIG. 5 is a bottom view thereof;  
 FIG. 6 is a left side view thereof;  
 FIG. 7 is a right side view thereof;  
 FIG. 8 is a cross-sectional view thereof along the line 8-8 in FIG. 2;  
 FIG. 9 is a cross-sectional view thereof along the line 9-9 in FIG. 2; and,  
 FIG. 10 is a cross-sectional view thereof along the line 10-10 in FIG. 2.

**1 Claim, 3 Drawing Sheets**

(56) **References Cited**

**U.S. PATENT DOCUMENTS**

- D47,645 S \* 7/1915 Jenks ..... D7/550.1
- 2,349,802 A \* 5/1944 McKnight ..... A45D 40/221  
206/37
- D258,391 S \* 2/1981 Bohn ..... D28/61
- D264,510 S \* 5/1982 Boyd ..... D28/78
- D291,757 S \* 9/1987 Ritman ..... D7/584
- D314,066 S \* 1/1991 Bakic ..... D28/77
- D438,346 S \* 2/2001 Thorpe ..... D11/43
- D462,809 S \* 9/2002 LaSpina ..... D28/78
- D468,589 S \* 1/2003 Bulcher ..... B65D 1/36  
D7/553.1
- D496,760 S \* 9/2004 Restrepo ..... D28/78
- D552,933 S \* 10/2007 Sarnoff ..... D7/500



(56)

**References Cited**

U.S. PATENT DOCUMENTS

D759,896	S	*	6/2016	Wawoe	.....	D28/78
D761,488	S	*	7/2016	Alarcon	.....	D27/135
D770,680	S	*	11/2016	Bennett	.....	D27/189
D789,599	S	*	6/2017	Kesselman	.....	D27/189
2003/0006151	A1	*	1/2003	Lin	.....	A47G 19/02
						206/216
2003/0194535	A1	*	10/2003	Rogers	.....	E04B 9/0428
						428/157

\* cited by examiner

Fig. 1

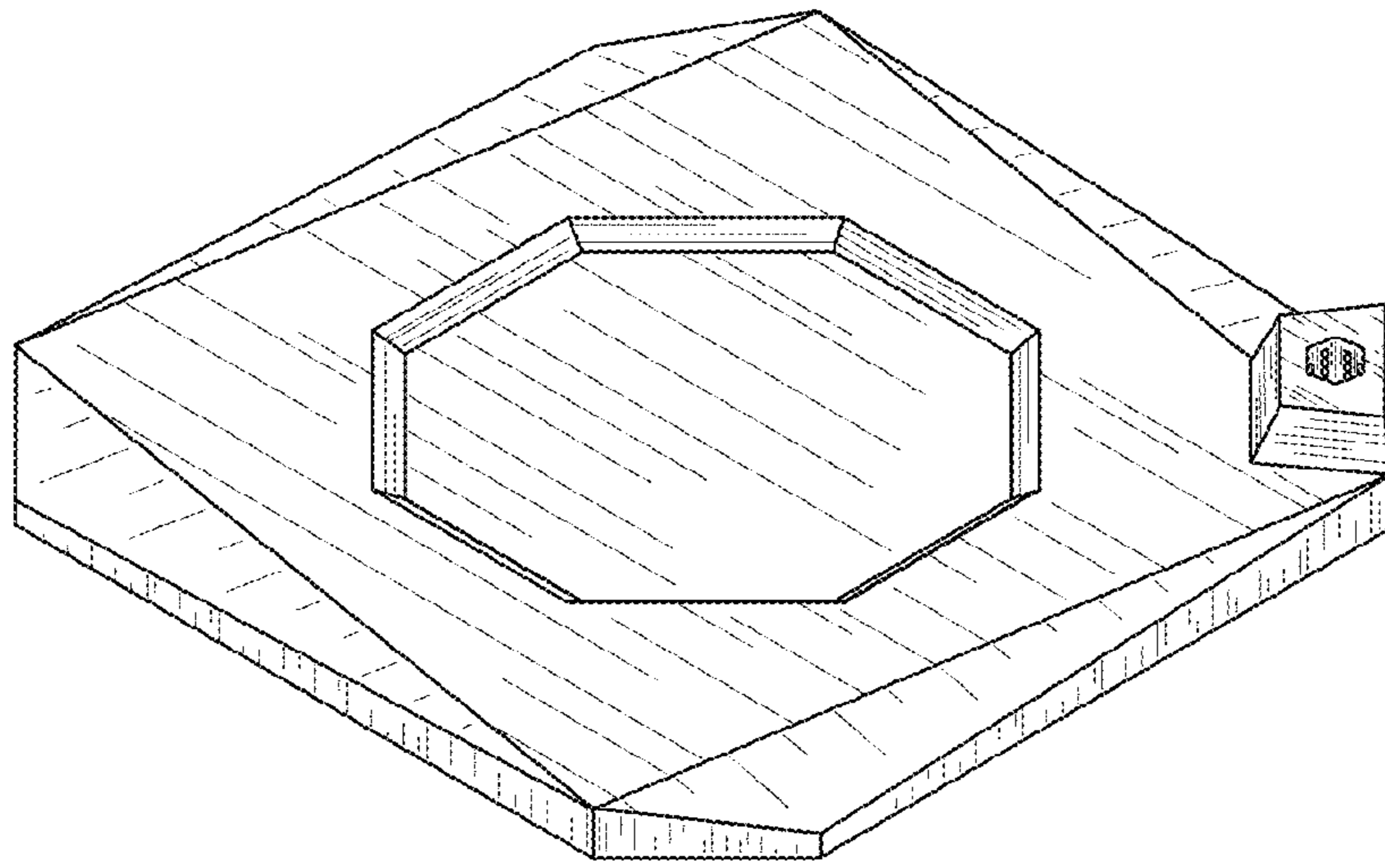


Fig. 2

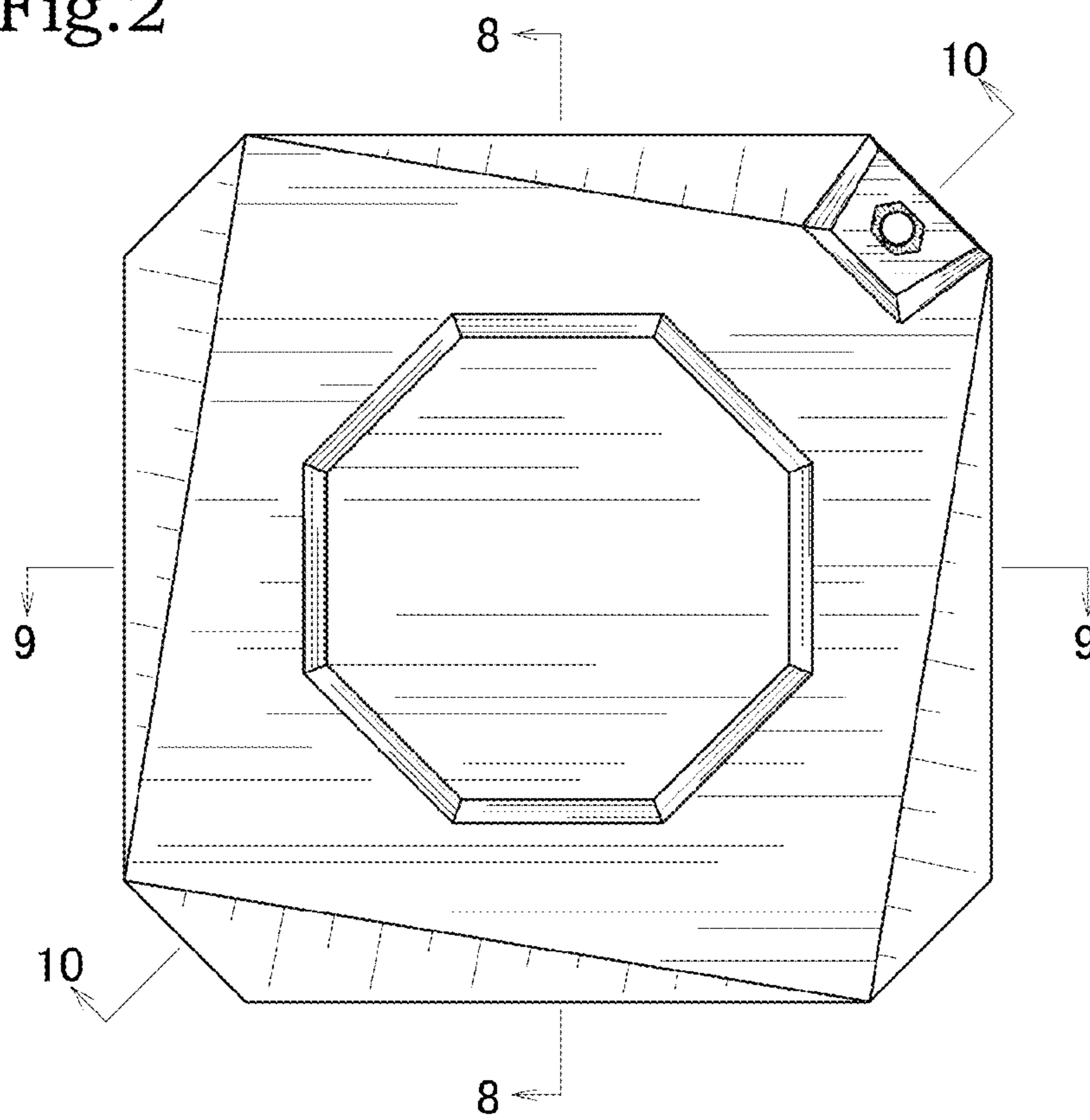


Fig.3

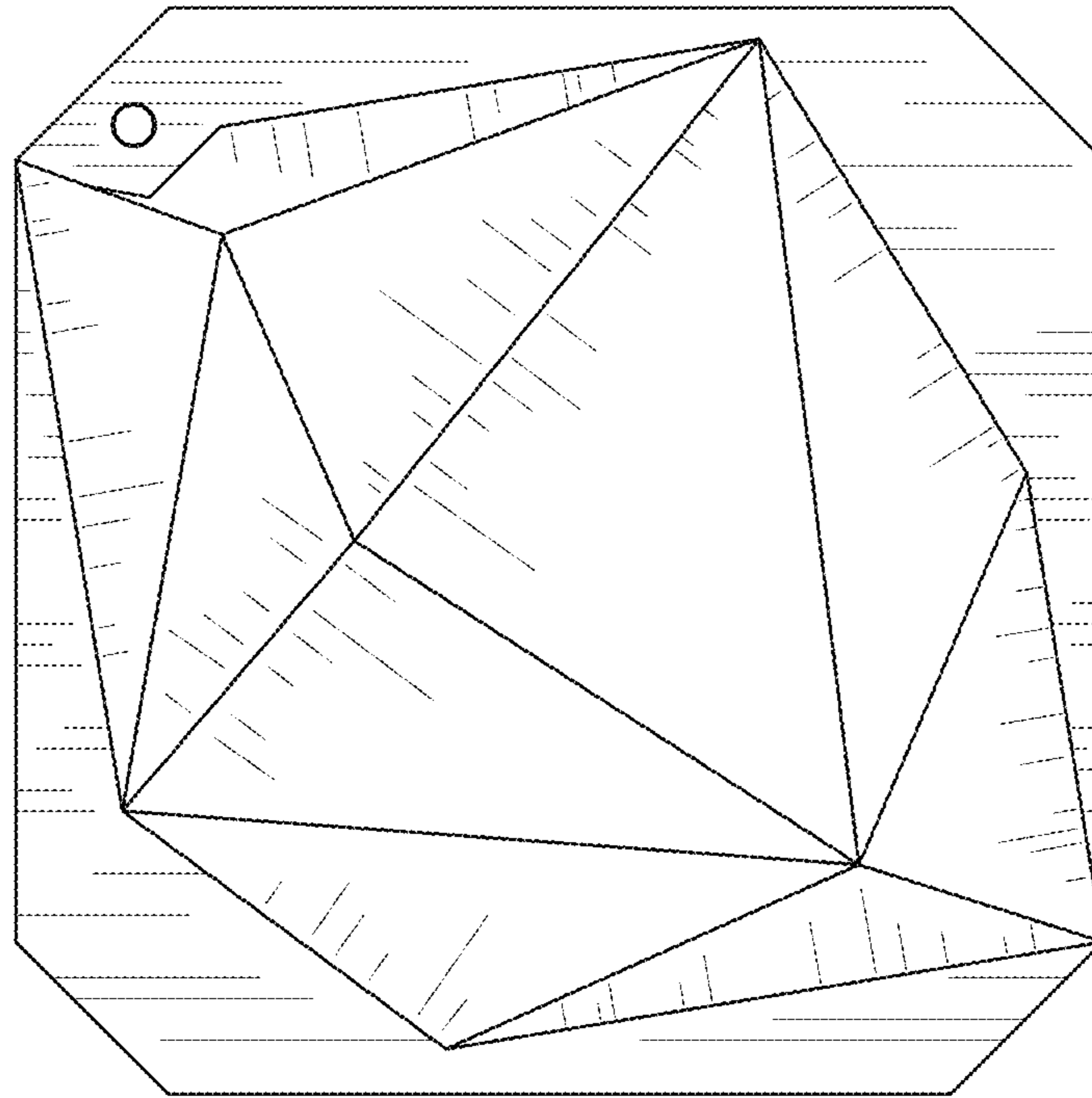


Fig.4

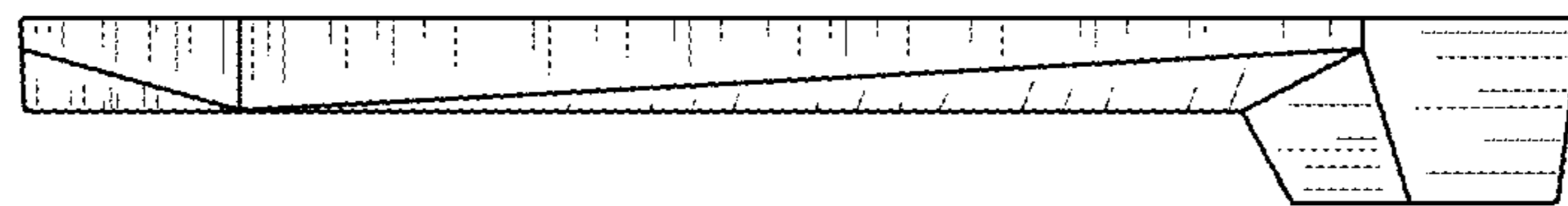


Fig.5

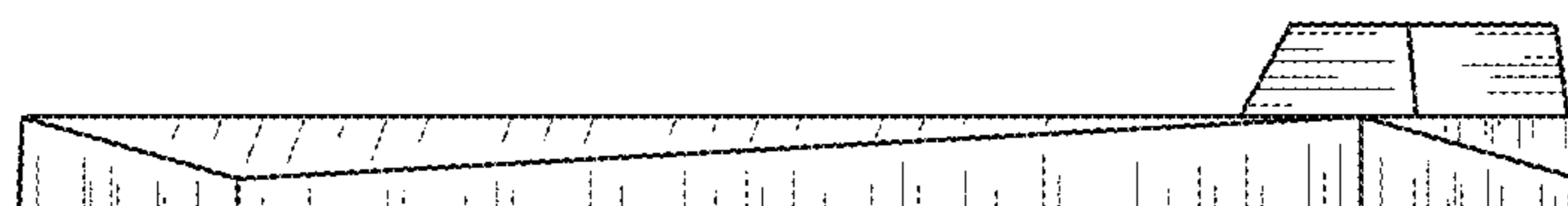


Fig.6

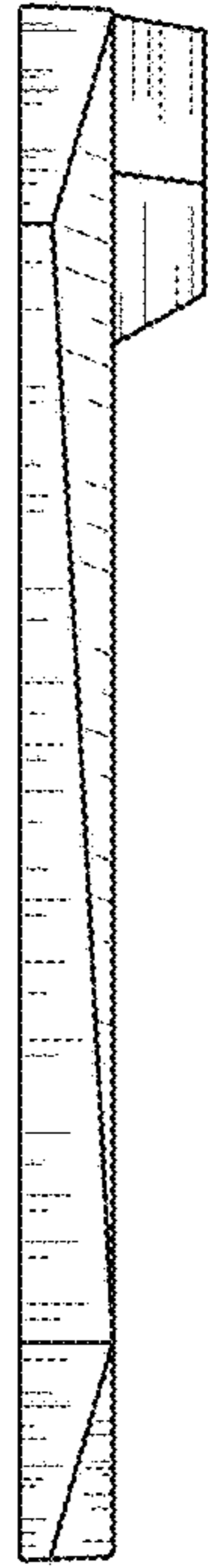


Fig.7



Fig.8



Fig.9

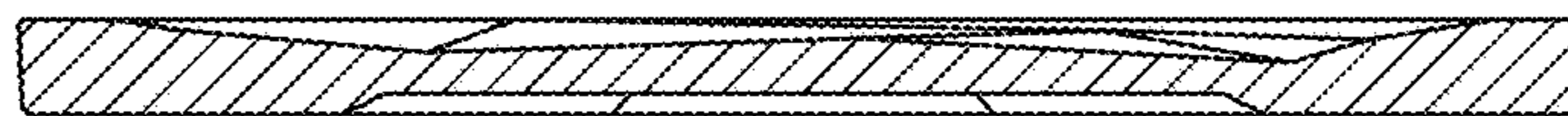


Fig. 10

