

US00D822274S

(12) **United States Design Patent** (10) **Patent No.:** **US D822,274 S**
Almsberger et al. (45) **Date of Patent:** **** Jul. 3, 2018**

(54) **CIGAR CUTTER**

(71) Applicant: **Xikar, Inc.**, Kansas City, MO (US)

(72) Inventors: **Scott Almsberger**, Tonganoxie, KS (US); **Robert Lembke**, Overland Park, KS (US); **Greg Loret**, Kansas City, MO (US); **Kurt Van Keppel**, Leawood, KS (US)

(73) Assignee: **Xikar, Inc.**, Kansas City, MO (US)

(*) Notice: This patent is subject to a terminal disclaimer.

(**) Term: **15 Years**

(21) Appl. No.: **29/555,043**

(22) Filed: **Feb. 18, 2016**

(51) **LOC (11) Cl.** **27-99**

(52) **U.S. Cl.**
USPC **D27/195**

(58) **Field of Classification Search**
USPC D27/100, 101, 162, 163-169, 172, 175, D27/186, 189, 193, 194, 195, 136, 137, D27/138; D8/98
CPC A24F 13/24; A24F 5/00; A24F 7/02; A24F 3/00; A24F 47/002; A24F 15/12; A24F 15/18; A24F 47/008
See application file for complete search history.

(56) **References Cited**

U.S. PATENT DOCUMENTS

1,269,593 A	6/1918	Fuller	
1,294,479 A	2/1919	Kollmar	
D314,639 S *	2/1991	Rousseau	D27/195
D375,576 S *	11/1996	Mesco	D27/195
D386,814 S *	11/1997	Mesco	D27/195
D391,016 S *	2/1998	Marusiak	D27/195
5,715,602 A *	2/1998	Hage	A24F 13/26
			30/111
D396,125 S *	7/1998	Chen	D27/195

D398,072 S *	9/1998	Singletary	D27/195
5,893,212 A *	4/1999	Meister	A24F 13/26
			30/113
D409,795 S *	5/1999	White	D27/195
D410,109 S	5/1999	Van Keppel et al.	

(Continued)

FOREIGN PATENT DOCUMENTS

DE 19949510 C1 6/2001

OTHER PUBLICATIONS

Xikar Xo Double Guillotine Cutter by Xikar. dated 2018. found online [May 15, 2017] <http://www.xikar.com/products/cutters/xo/>.
(Continued)

Primary Examiner — Robert M. Spear
Assistant Examiner — Marissa J Cash

(74) *Attorney, Agent, or Firm* — Erickson Kernell IP, LLC

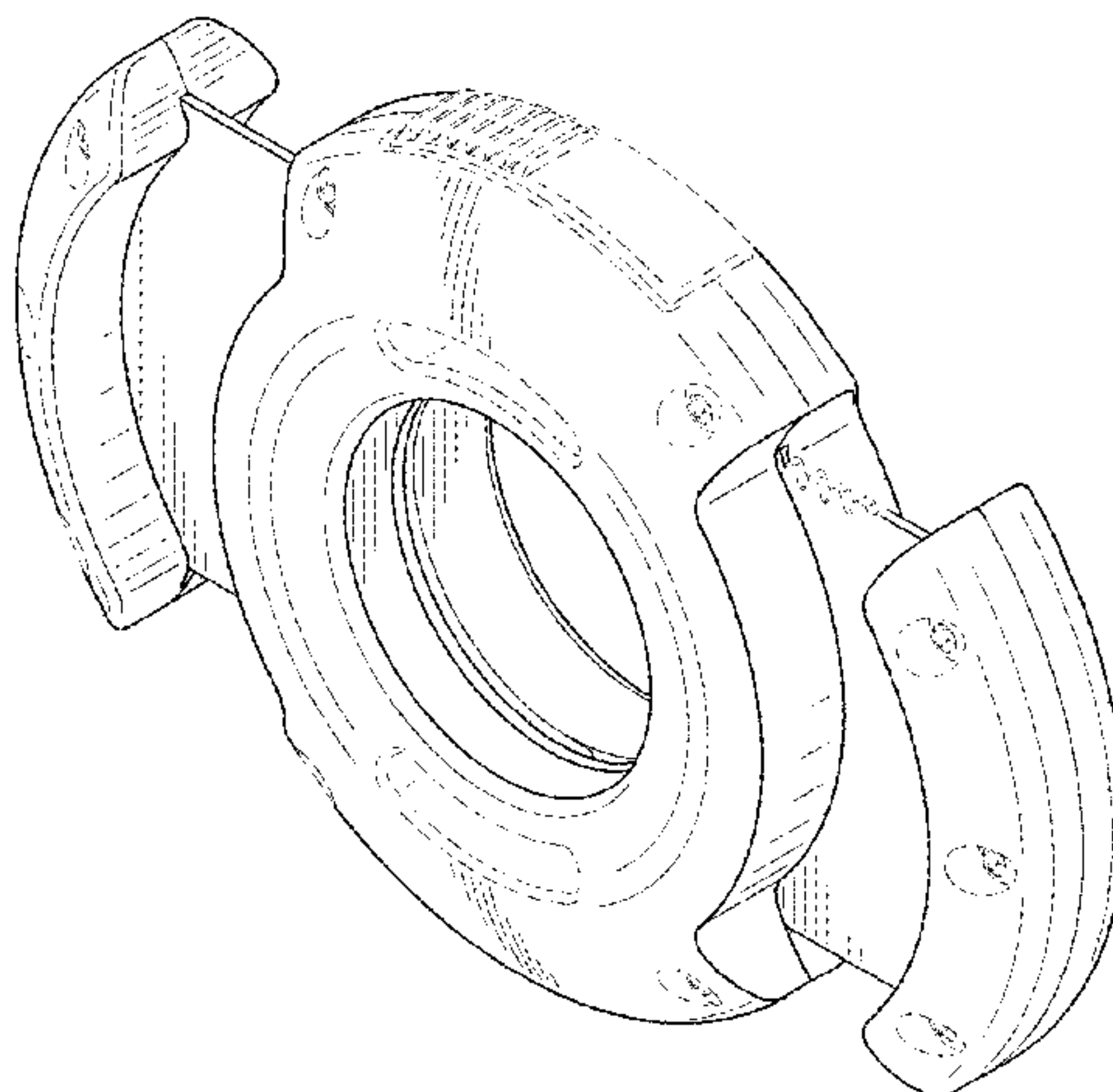
(57) **CLAIM**

The ornamental design for a cigar cutter, as shown and described.

DESCRIPTION

FIG. 1 is a perspective view showing the cigar cutter in accordance with the present invention;
FIG. 2 is a front elevation view of the cigar cutter of FIG. 1;
FIG. 3 is a rear elevation view of the cigar cutter of FIG. 1;
FIG. 4 is a top view of the cigar cutter of FIG. 1;
FIG. 5 is a bottom view of the cigar cutter of FIG. 1;
FIG. 6 is right side view of the cigar cutter of FIG. 1; and,
FIG. 7 is a left side view of the cigar cutter of FIG. 1.
The broken lines in the drawings depict portions of the cutter that form no part of the claimed design.
The broken lines immediately adjacent to shaded surfaces form a boundary of the claim.

1 Claim, 5 Drawing Sheets



(56)

References Cited

U.S. PATENT DOCUMENTS

D413,408 S * 8/1999 White D27/195
 5,937,523 A 8/1999 Van Keppel et al.
 5,946,753 A * 9/1999 Roberts A24F 13/26
 30/113
 D414,894 S * 10/1999 Chen D27/195
 5,992,022 A * 11/1999 Carrera Moya A24F 13/24
 131/248
 6,076,260 A 6/2000 Williamson, IV
 6,164,286 A 12/2000 Schad
 D455,521 S * 4/2002 Park D27/195
 6,708,409 B2 3/2004 Yu
 D546,000 S * 7/2007 Kan D27/195
 7,306,103 B2 * 12/2007 Dustin A45D 33/20
 206/581
 D569,548 S * 5/2008 Smith D27/195
 D597,251 S * 7/2009 Smith D27/195
 D602,632 S * 10/2009 Smith D27/195
 D605,351 S * 12/2009 Smith D27/195
 D608,942 S * 1/2010 Hbaidu D27/195
 D616,604 S * 5/2010 Chuan D27/195
 D617,496 S * 6/2010 Wong D27/195
 D623,352 S * 9/2010 Melgaard D21/793
 D630,794 S * 1/2011 Cohen Harel D27/195
 7,861,727 B1 * 1/2011 Jones A24F 13/26
 131/253
 D651,337 S * 12/2011 Bryman D27/172

D698,993 S * 2/2014 Sharif D27/195
 8,656,595 B2 2/2014 Wong
 9,055,769 B2 * 6/2015 Liao A24F 13/26
 D757,359 S * 5/2016 Van Keppel D27/195
 D782,109 S * 3/2017 King D27/195
 2007/0000133 A1 * 1/2007 Kasuli A45F 5/02
 30/113
 2007/0089299 A1 4/2007 Belaubre
 2009/0113718 A1 * 5/2009 Smith A24F 13/26
 30/113
 2010/0162569 A1 7/2010 Smith
 2011/0302785 A1 * 12/2011 Chuan A24F 13/26
 30/113
 2015/0272214 A1 * 10/2015 Giller A24F 1/30
 131/329
 2015/0305407 A1 * 10/2015 Li A61M 11/08
 131/273

OTHER PUBLICATIONS

Cigarone web page: <https://www.cigarone.com/news.php?deb=284>.
 Cigarworld web page: <http://www.cigarworld.de/zigarrenzubehoer/cutter/wolfertz-cts-xeto-80000237>.
 Danpipe web page: http://www.danpipe.de/de/5001-3801_XETO-Cigar-Cutter-matt-silberfarben-Eichenholz-inkl-Etui-Sonderangebot_9851?action_ms=1.

* cited by examiner

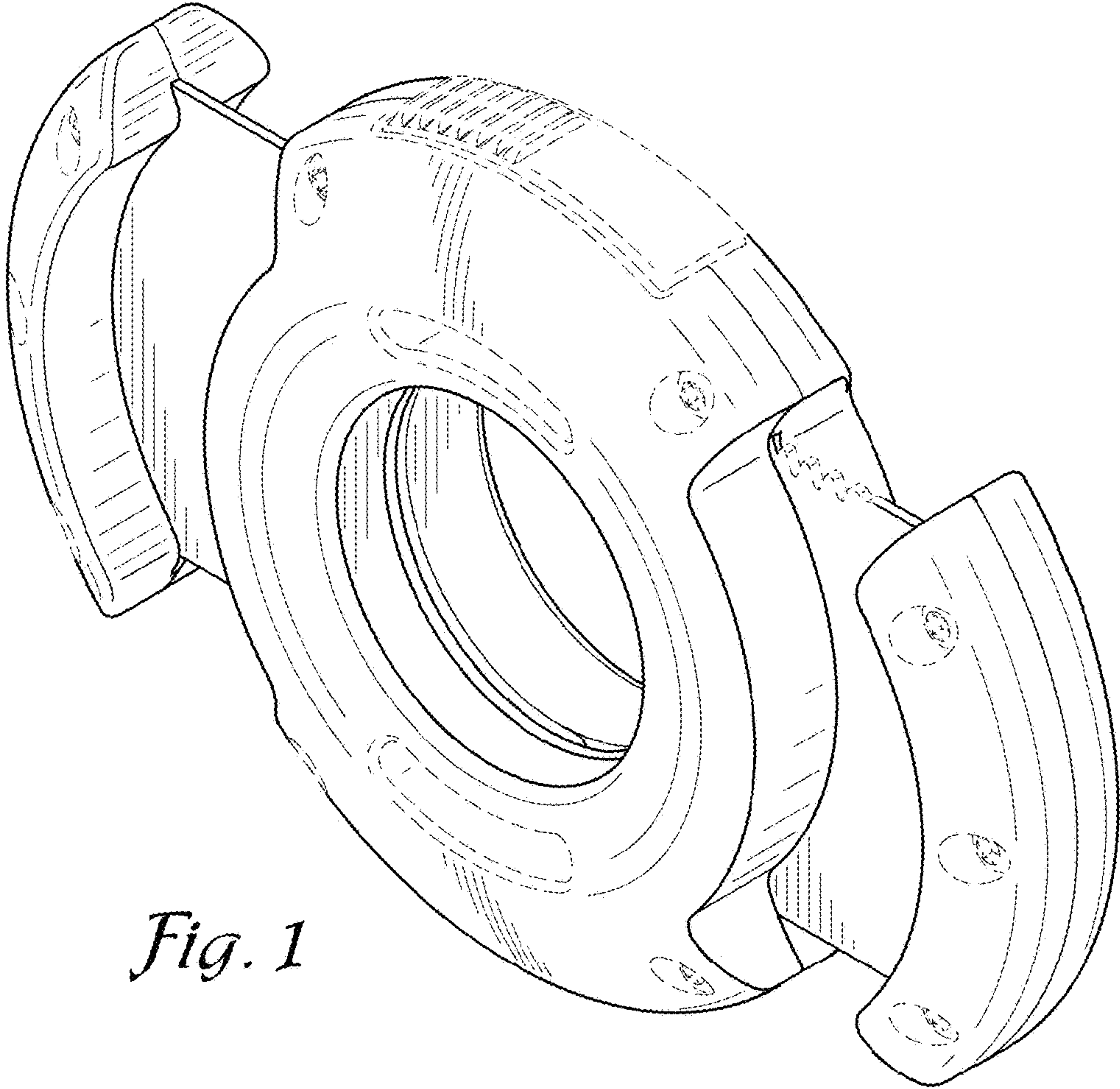


Fig. 1

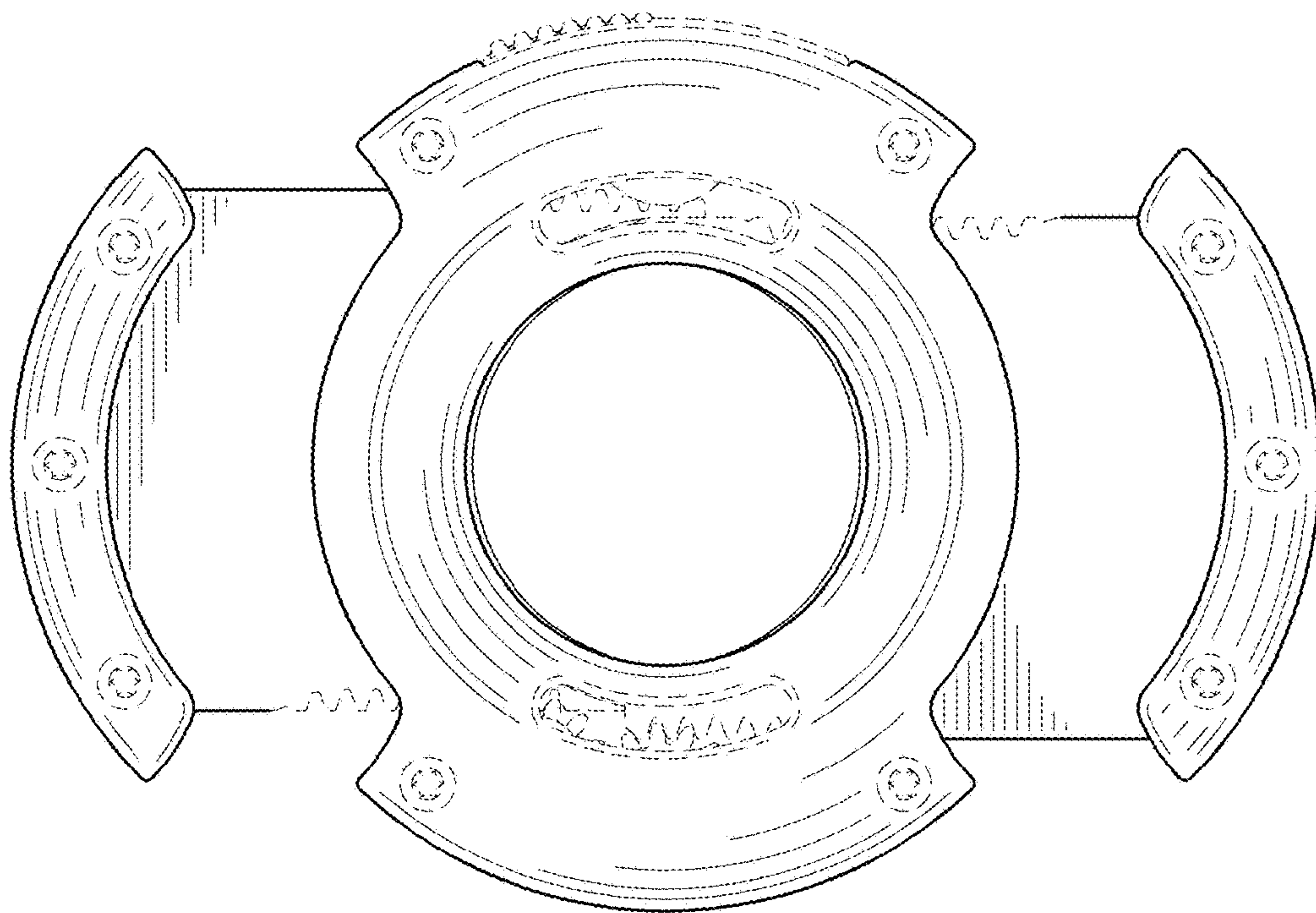


Fig. 2

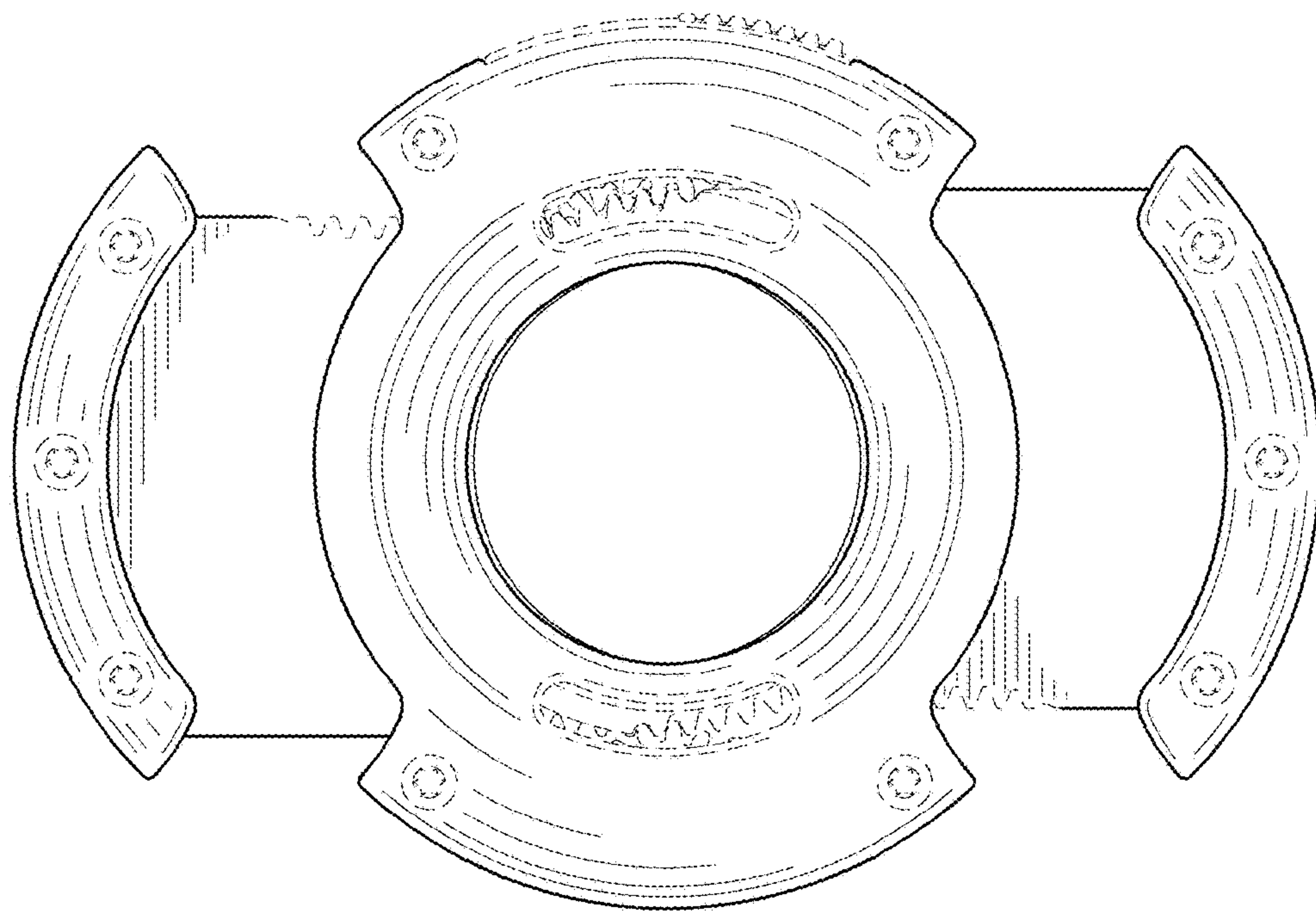


Fig. 3

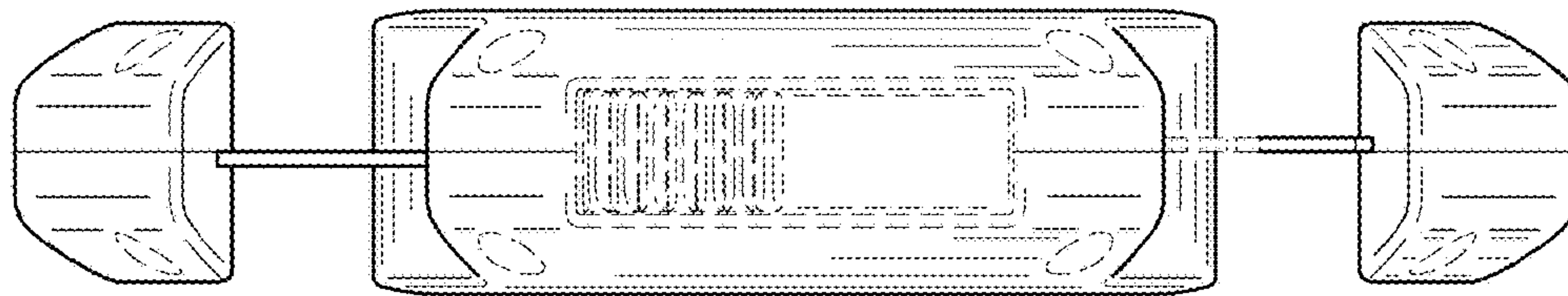


Fig. 4

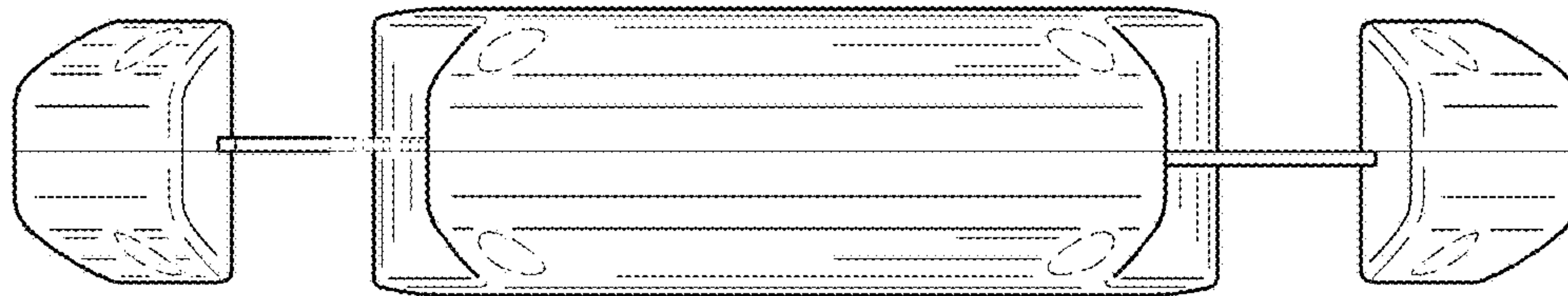


Fig. 5

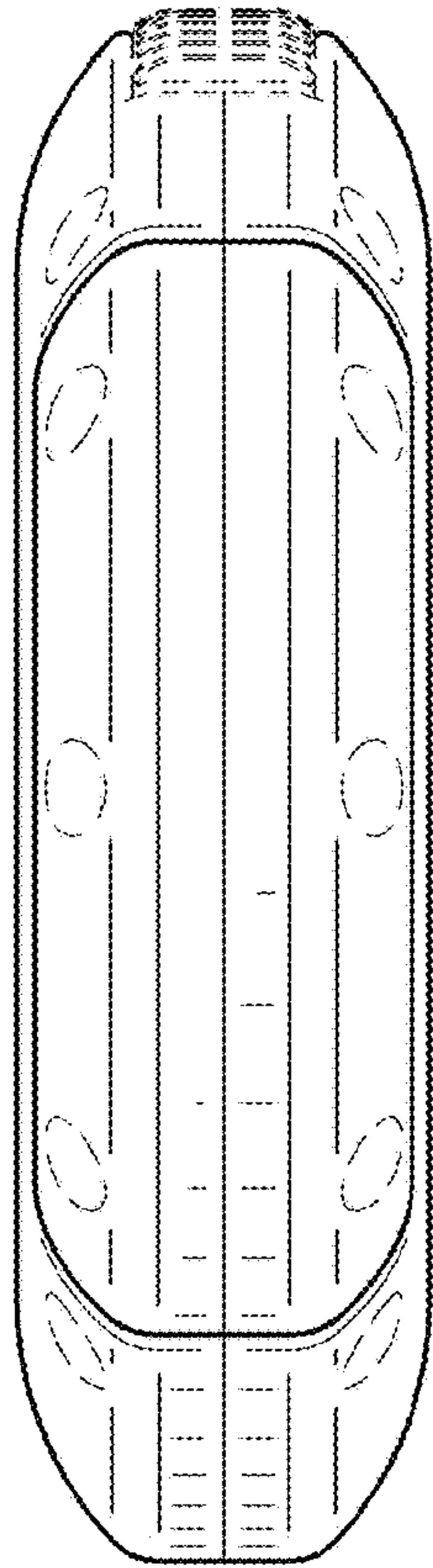


Fig. 6

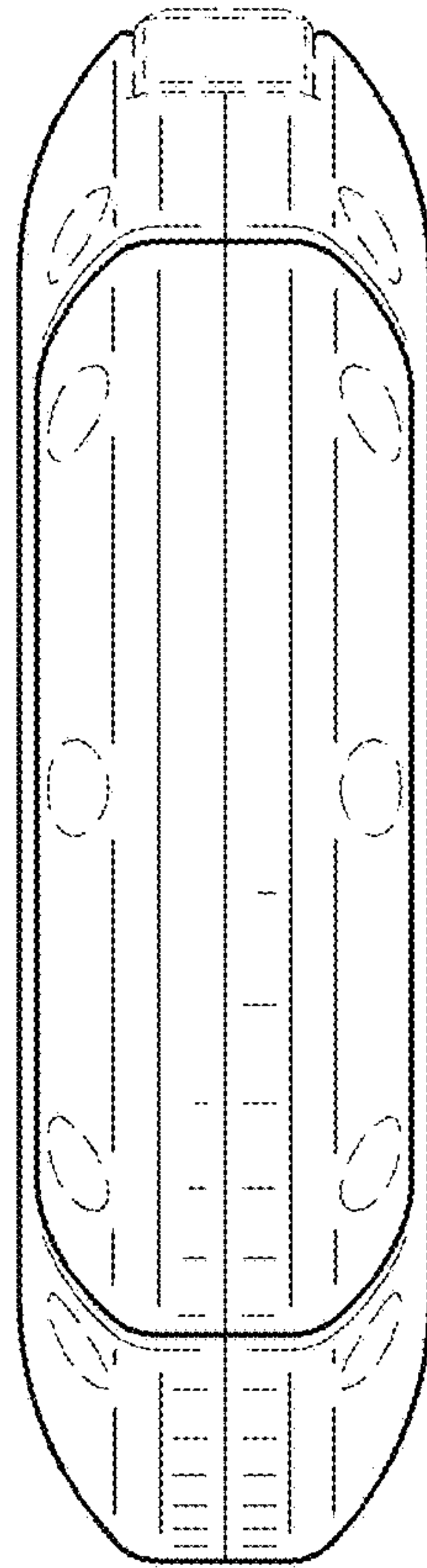


Fig. 7