



US00D822272S

(12) **United States Design Patent** (10) **Patent No.:** **US D822,272 S**
Miller et al. (45) **Date of Patent:** **** *Jul. 3, 2018**

(54) **PERSONAL VAPORISER**
(71) Applicant: **Ghost Herbal Concepts Ltd,**
Roadtown, Tortola (VG)
(72) Inventors: **Austen Charles Miller,** Andover (GB);
Yann Glauser, Southampton (GB)
(73) Assignee: **Ghost Herbal Concepts Ltd,**
Roadtown (VG)
(*) Notice: This patent is subject to a terminal disclaimer.

D544,956 S * 6/2007 Collins D24/110
D546,939 S * 7/2007 Collins D24/110
D546,940 S * 7/2007 Collins D24/110
D552,231 S * 10/2007 Collins D24/110
D686,312 S * 7/2013 Allsop D24/110
D697,200 S * 1/2014 Mahaffy D24/110
D738,038 S * 9/2015 Smith D27/170
D742,503 S * 11/2015 Mullinger D24/110
D753,338 S * 4/2016 Chen D27/162
9,314,808 B2 * 4/2016 Allsop B05B 11/3059
D771,308 S * 11/2016 Saydar A61M 15/00
D27/163
D771,309 S * 11/2016 Ward D27/167
D792,228 S * 7/2017 de Baschmakoff D9/522

(Continued)

(**) Term: **15 Years**

(21) Appl. No.: **29/585,728**

(22) Filed: **Nov. 28, 2016**

(30) **Foreign Application Priority Data**

May 27, 2016 (GB) 5003143

(51) **LOC (11) Cl.** **27-01**

(52) **U.S. Cl.**
USPC **D27/101**

(58) **Field of Classification Search**
USPC D27/100, 101, 162, 163, 164, 165, 169,
D27/170, 171, 194, 189; D24/108, 110,
D24/110.5; D9/522

CPC A24F 1/00; A24F 1/02; A24F 1/04; A24F
1/06; A24F 1/08; A24F 1/10; A24F 1/12;
A24F 1/14; A24F 1/26; A24F 1/28; A24F
7/00; A24F 7/02; A24F 7/04

See application file for complete search history.

(56) **References Cited**

U.S. PATENT DOCUMENTS

D346,878 S * 5/1994 Gee D27/194
D347,490 S * 5/1994 Gee D27/194
D414,261 S * 9/1999 Ritsche D24/110
D414,555 S * 9/1999 Ritsche D24/110

OTHER PUBLICATIONS

Personal Vaporiser | Ghost MV1 | Ghost Vapes, post date n/a, ©
2017 ghostvapes.com, [online], [site visited Aug. 6, 2017], Avail-
able at <https://www.ghostvapes.com/mv1/>.*

Primary Examiner — Eric Goodman

Assistant Examiner — Jennifer Campbell

(74) *Attorney, Agent, or Firm* — Davis Wright Tremaine
LLP

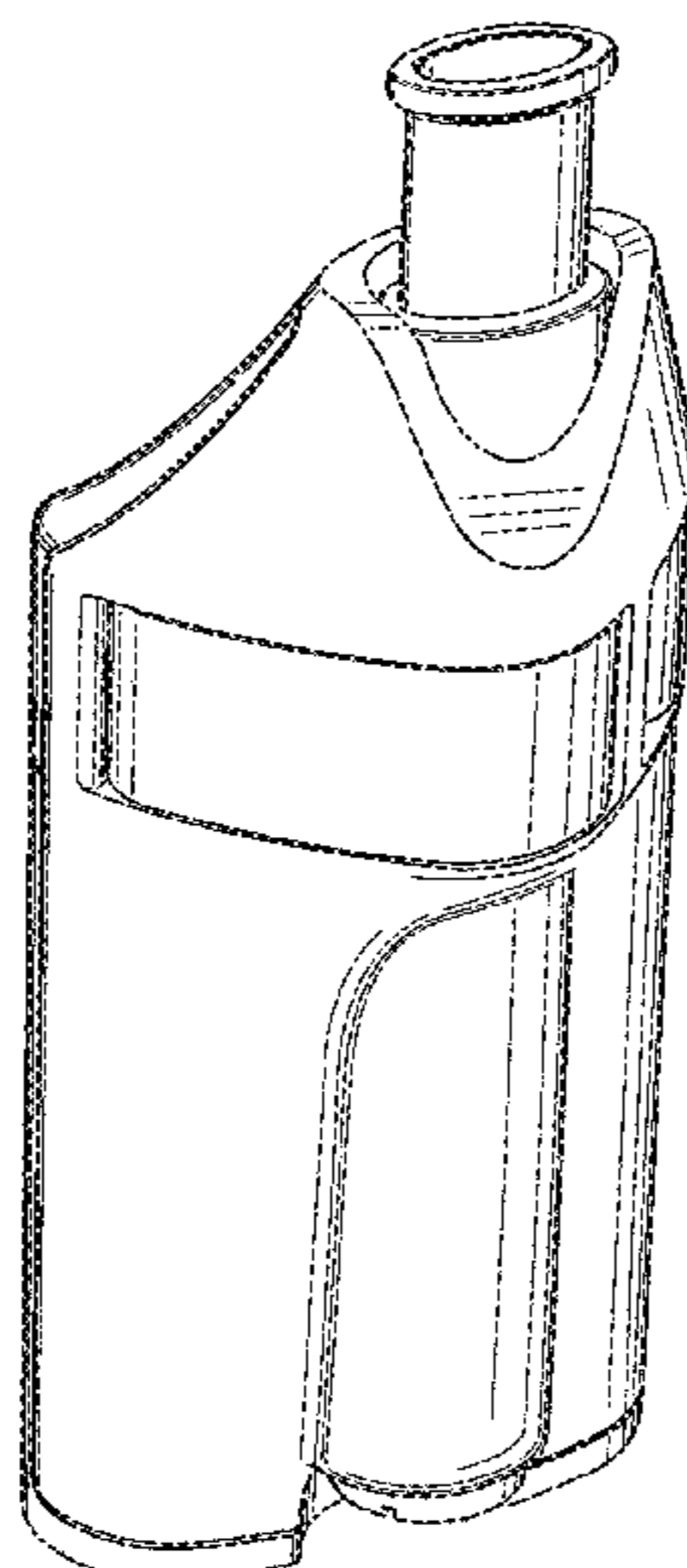
(57) **CLAIM**

The ornamental design for a personal vaporiser, as shown
and described.

DESCRIPTION

FIG. 1 is a front perspective view of a personal vaporiser
showing our new design;
FIG. 2 is a front plan view thereof;
FIG. 3 is a rear plan view thereof;
FIG. 4 is a right side plan view thereof;
FIG. 5 is a left side plan view thereof;
FIG. 6 is a top plan view thereof; and,
FIG. 7 is a bottom plan view thereof.
The broken lines depict portions of the personal vaporiser
and form no part of the claimed design.

1 Claim, 6 Drawing Sheets



(56)

References Cited

U.S. PATENT DOCUMENTS

D793,005 S * 7/2017 Scott D27/189
2002/0088469 A1 * 7/2002 Rennecamp A24F 23/00
131/330

* cited by examiner

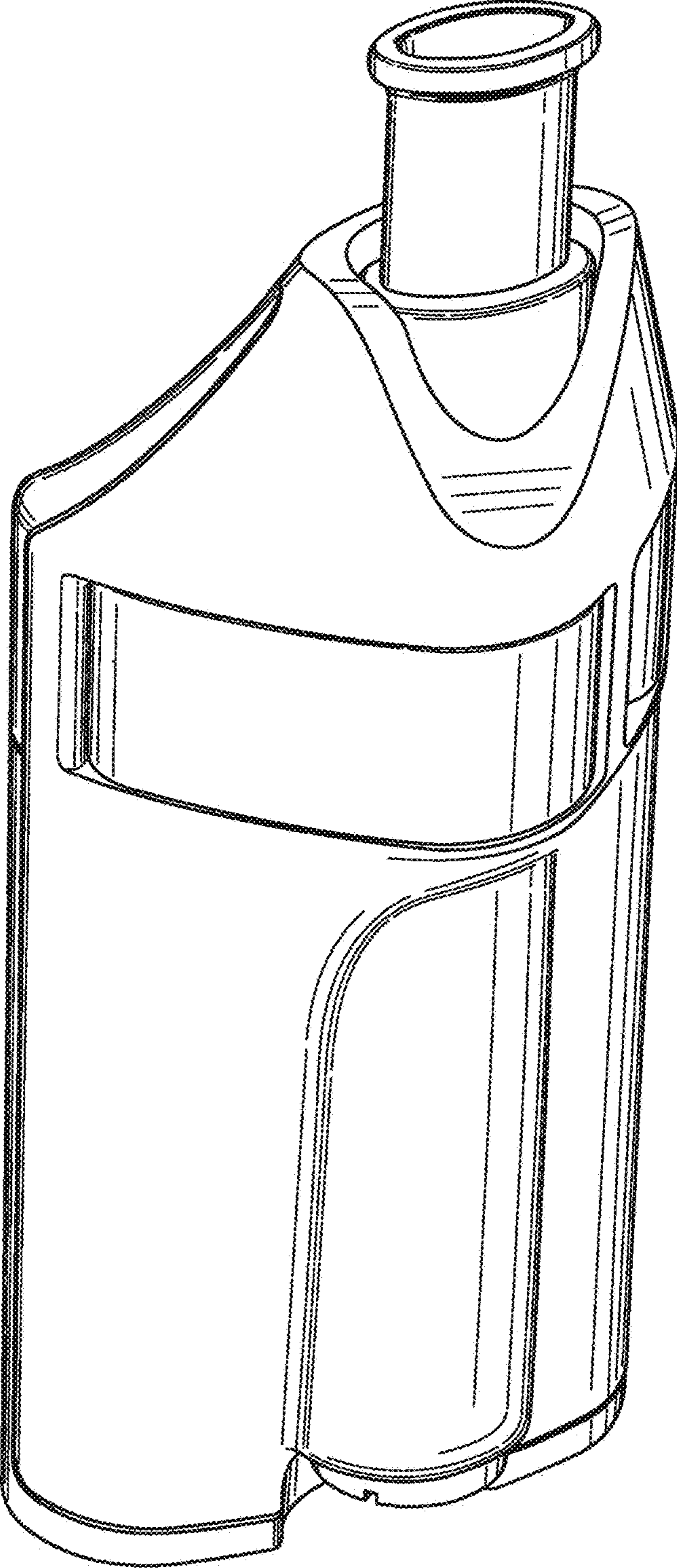


Fig. 1

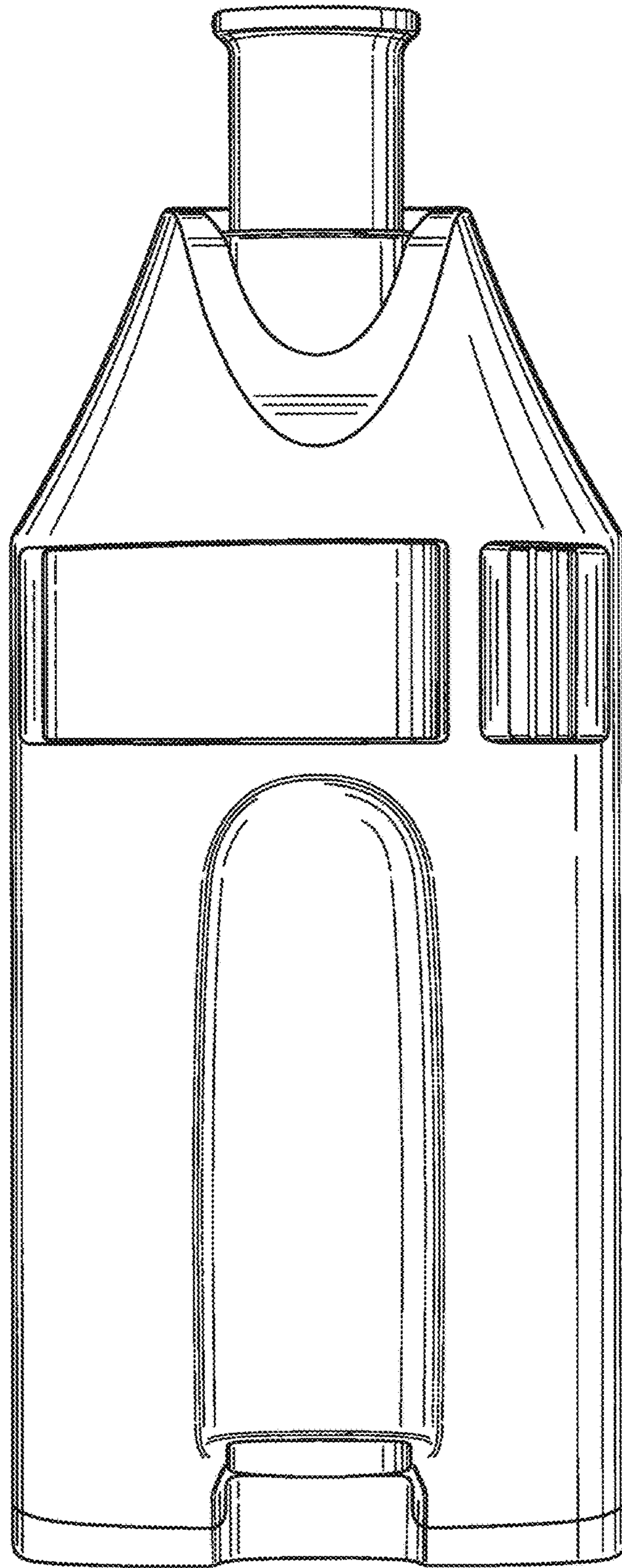


Fig. 2

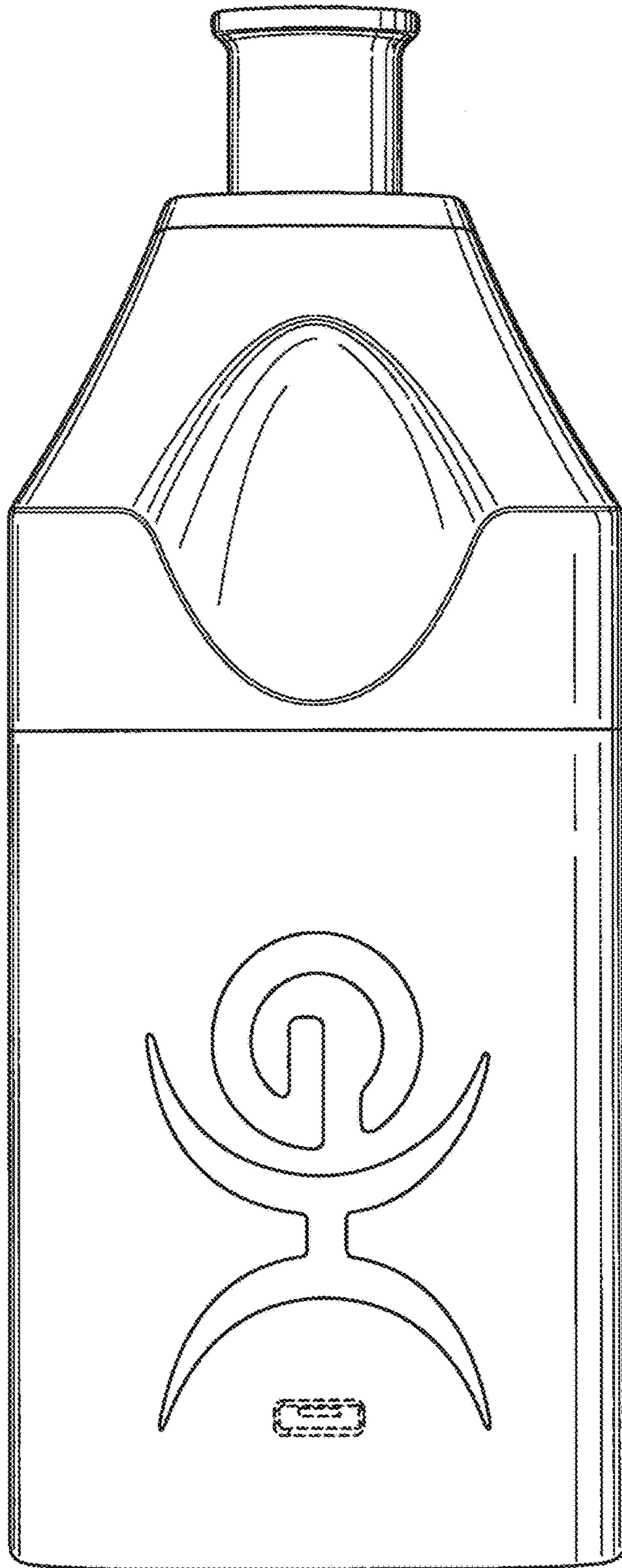


Fig. 3

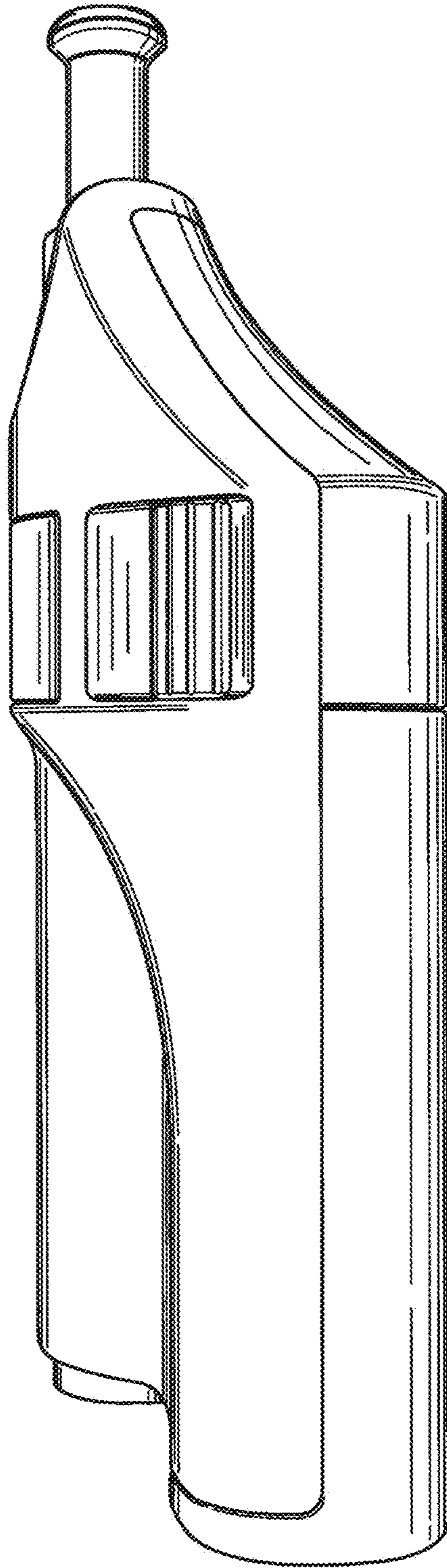


Fig. 4

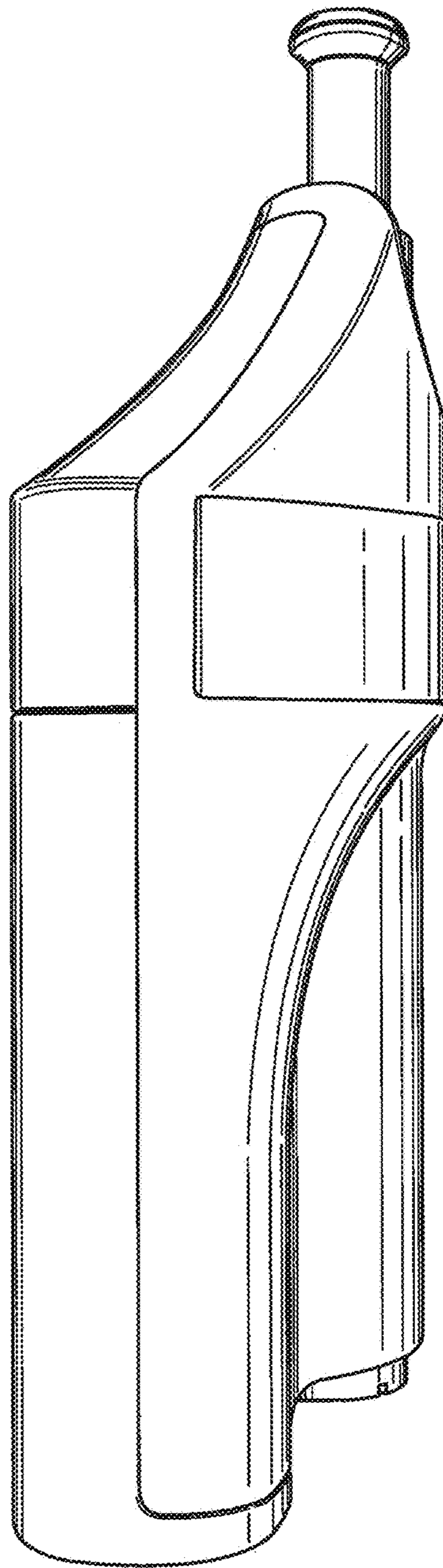


Fig. 5

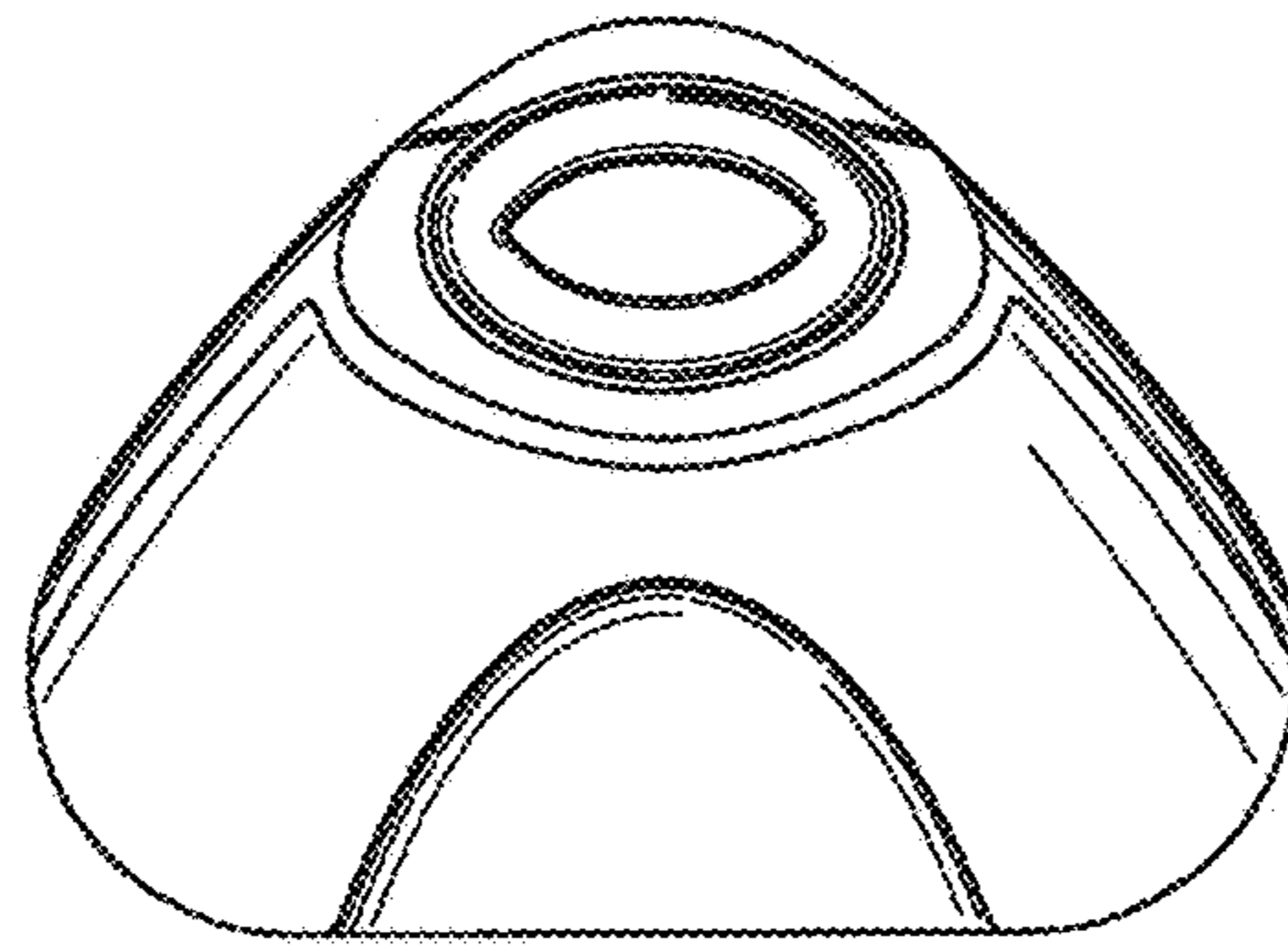


Fig. 6

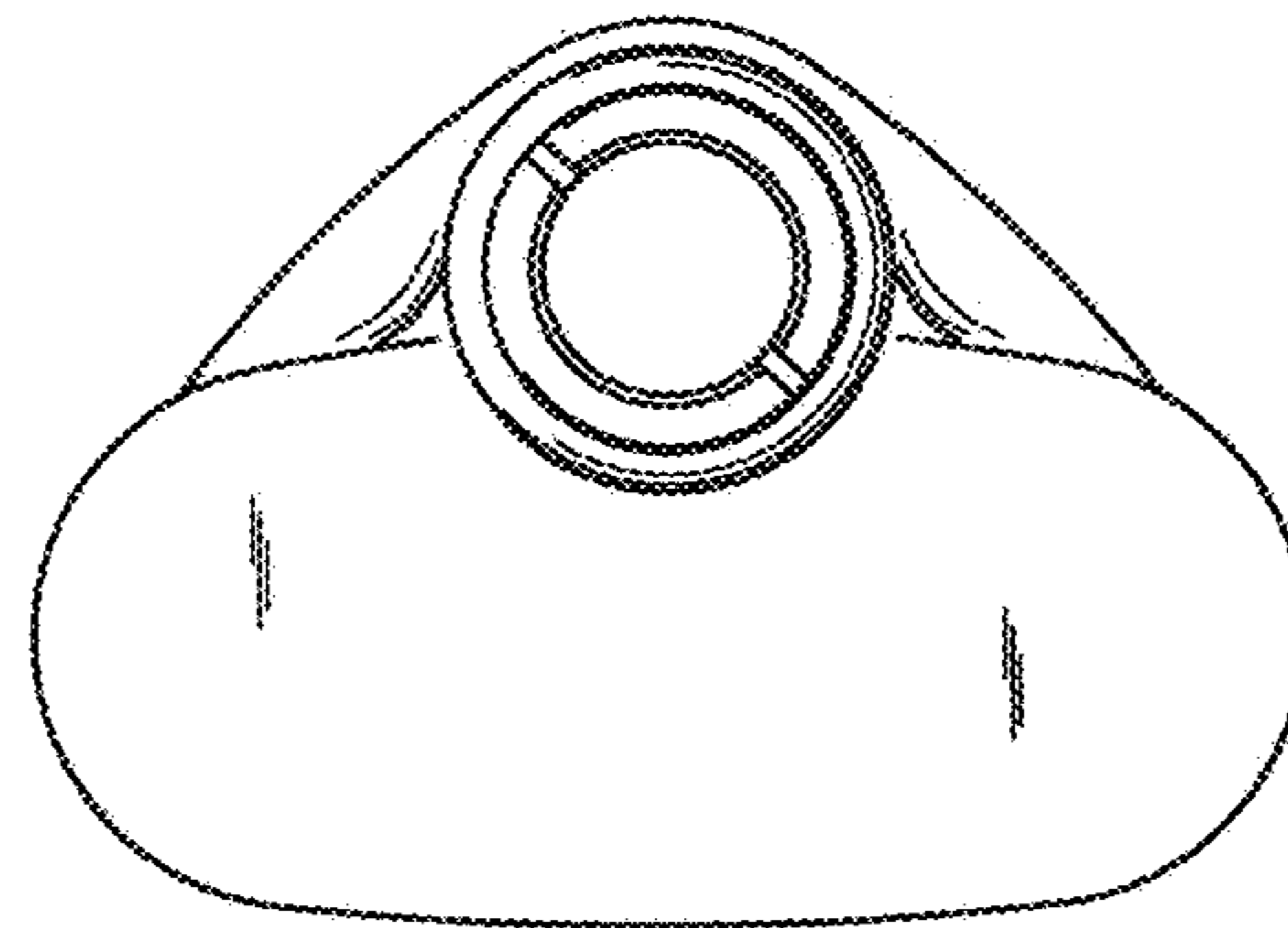


Fig. 7