



US00D822270S

(12) **United States Design Patent**  
**Nishikawa**

(10) **Patent No.:** **US D822,270 S**  
(45) **Date of Patent:** **\*\* Jul. 3, 2018**

(54) **CHANDELIER**

(71) Applicant: **DONGHIA INC.**, Milford, CT (US)

(72) Inventor: **Yuko Nishikawa**, Brooklyn, NY (US)

(73) Assignee: **DONGHIA INC.**, Milford, CT (US)

(\*\*) Term: **15 Years**

(21) Appl. No.: **29/598,740**

(22) Filed: **Mar. 28, 2017**

(51) **LOC (11) Cl.** ..... **26-99**

(52) **U.S. Cl.**  
USPC ..... **D26/155; D26/81**

(58) **Field of Classification Search**  
USPC ..... D26/72, 80–88, 90, 91, 143, 144, 152,  
D26/153, 155  
CPC ..... F21S 8/04; F21S 8/06; F21S 8/061; F21S  
8/063; F21S 8/065  
See application file for complete search history.

(56) **References Cited**

**U.S. PATENT DOCUMENTS**

D42,580 S *	6/1912	Hotchkin	.....	D26/144
D368,545 S *	4/1996	Hsu	.....	D26/81
D438,664 S *	3/2001	Lewis	.....	D26/86
D465,596 S *	11/2002	Dolan	.....	D26/84
D480,495 S *	10/2003	Brunner	.....	D26/84
D565,777 S *	4/2008	Hsu	.....	D26/81
D598,600 S *	8/2009	Chen	.....	D26/81

D616,601 S *	5/2010	Gilbert	.....	D26/155
D698,982 S *	2/2014	Scatena	.....	D26/88
D705,475 S *	5/2014	Kitts	.....	D26/81

**OTHER PUBLICATIONS**

Mercurio Chandelier—Item No. 80107 from donghia.com, visited Mar. 28, 2018. (Year: 2018).\*

\* cited by examiner

*Primary Examiner* — Clare E Heflin

(74) *Attorney, Agent, or Firm* — Heslin Rothenberg Farley & Mesiti P.C.

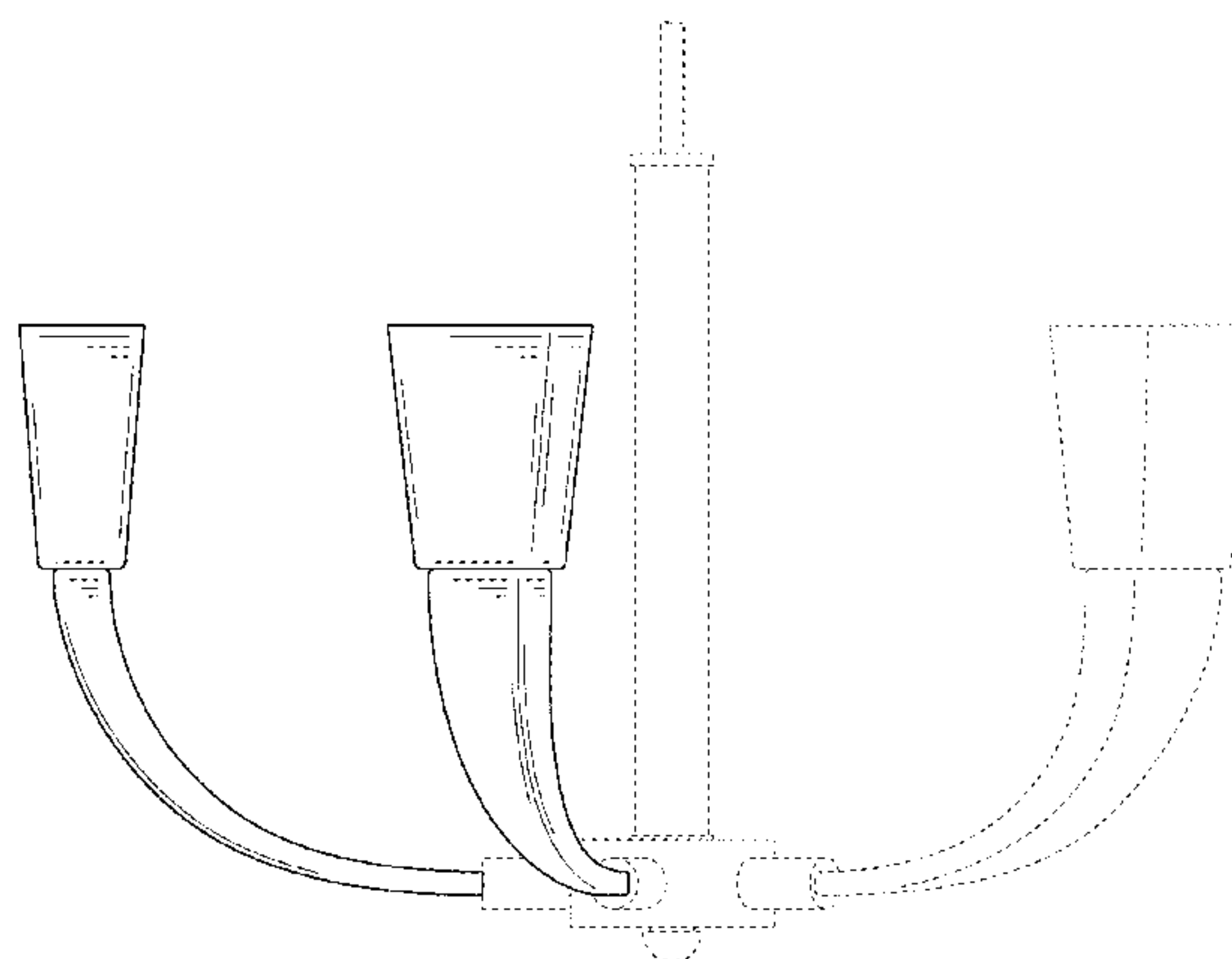
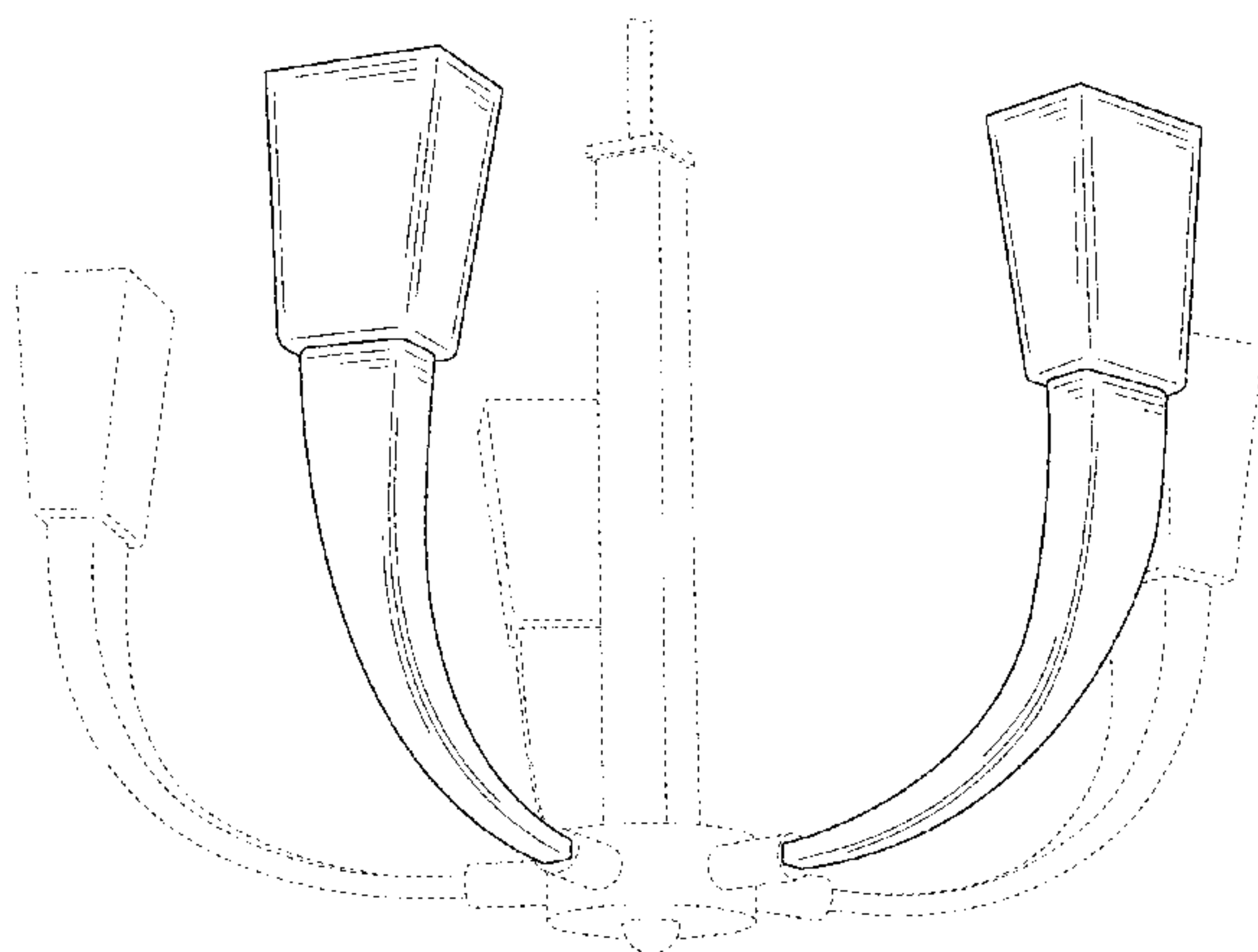
(57) **CLAIM**

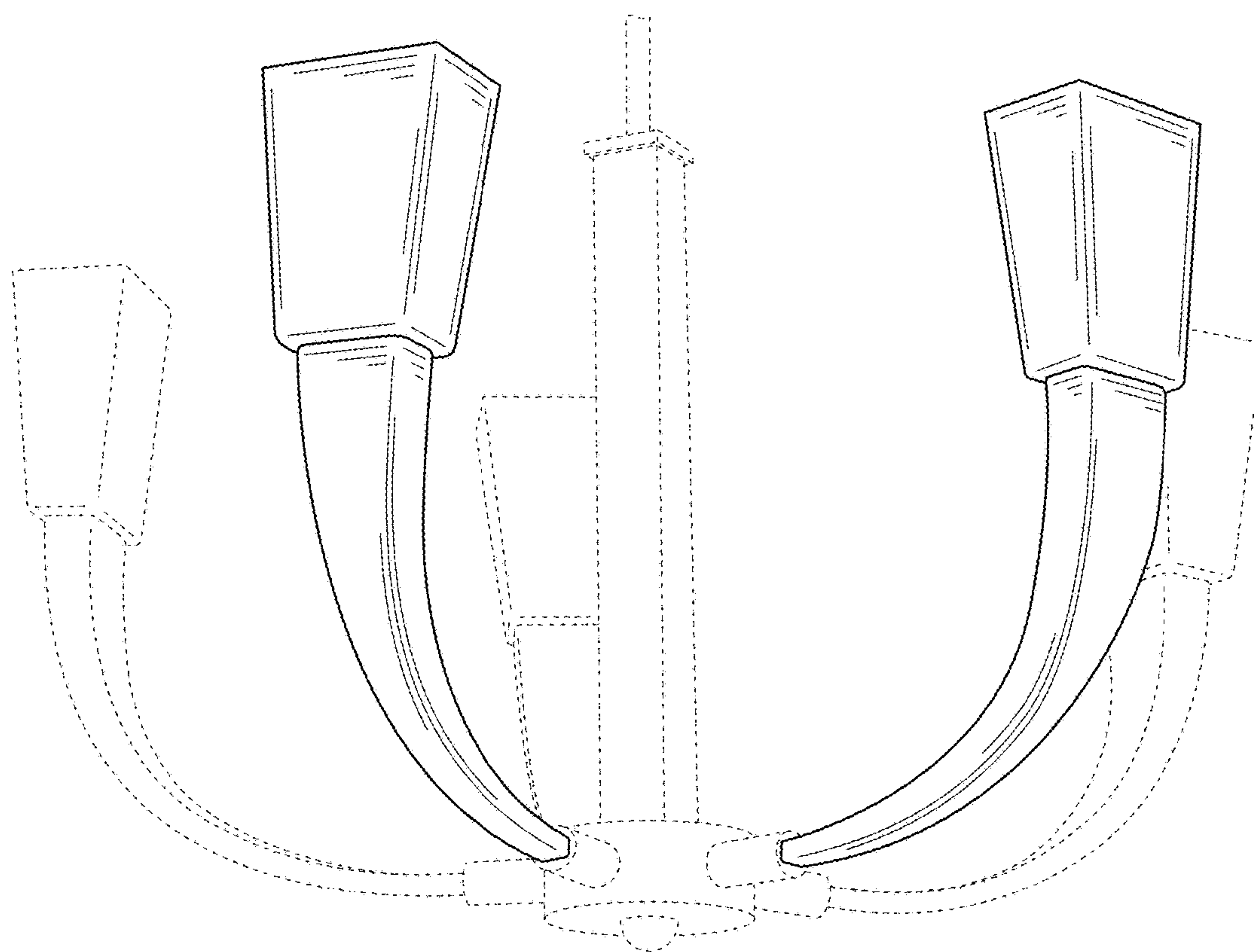
The ornamental design for a chandelier, as shown and described.

**DESCRIPTION**

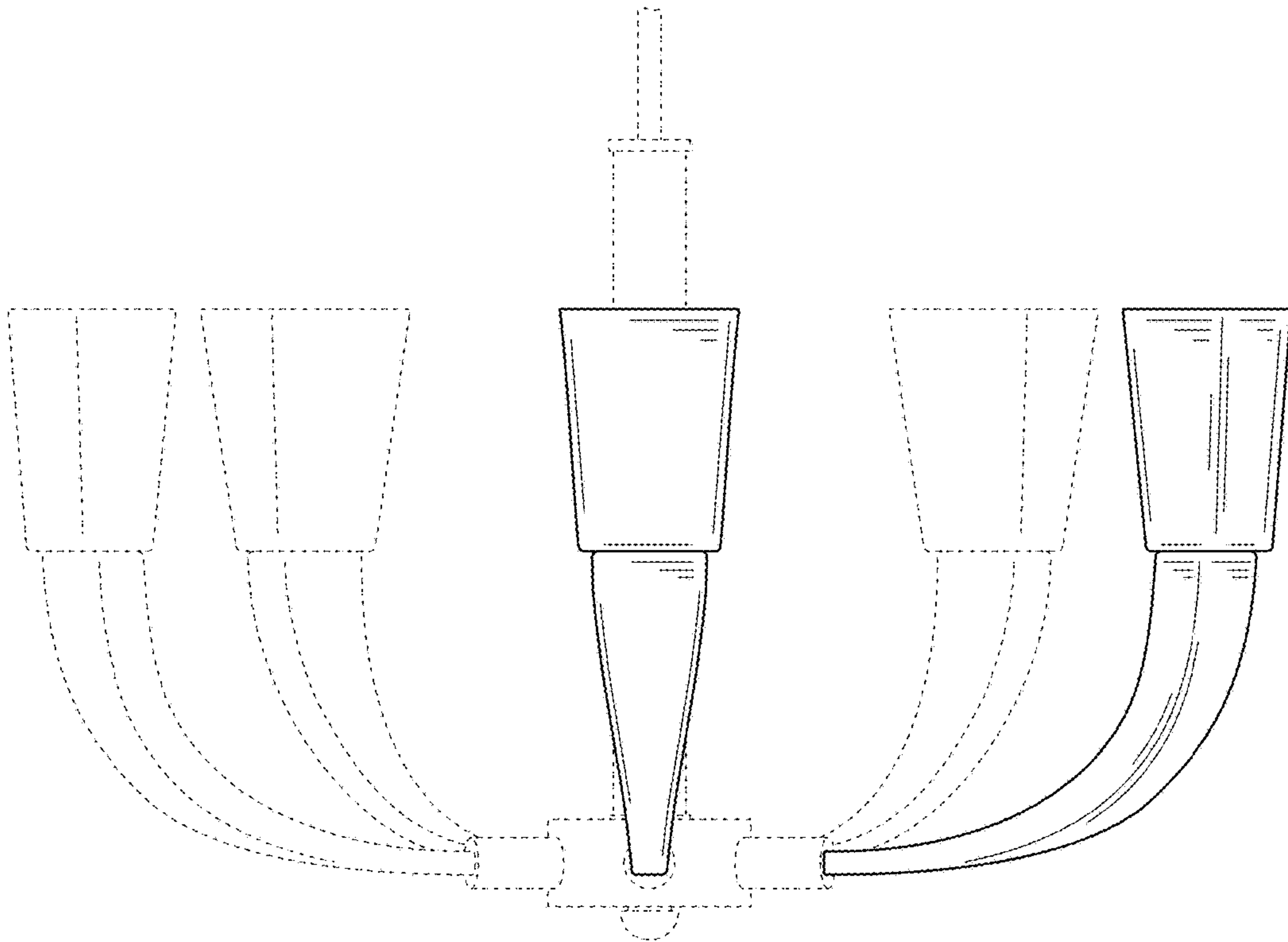
FIG. 1 is a perspective view of the chandelier of the present design;  
FIG. 2 is a front elevation view thereof;  
FIG. 3 is a rear elevation view thereof;  
FIG. 4 is top plan view thereof;  
FIG. 5 is a bottom plan view thereof; and  
FIG. 6 is a right side elevation view thereof; and,  
FIG. 7 is a left side elevation view thereof.  
Portions of the chandelier shown in broken lines form no part of the claimed design.

**1 Claim, 7 Drawing Sheets**

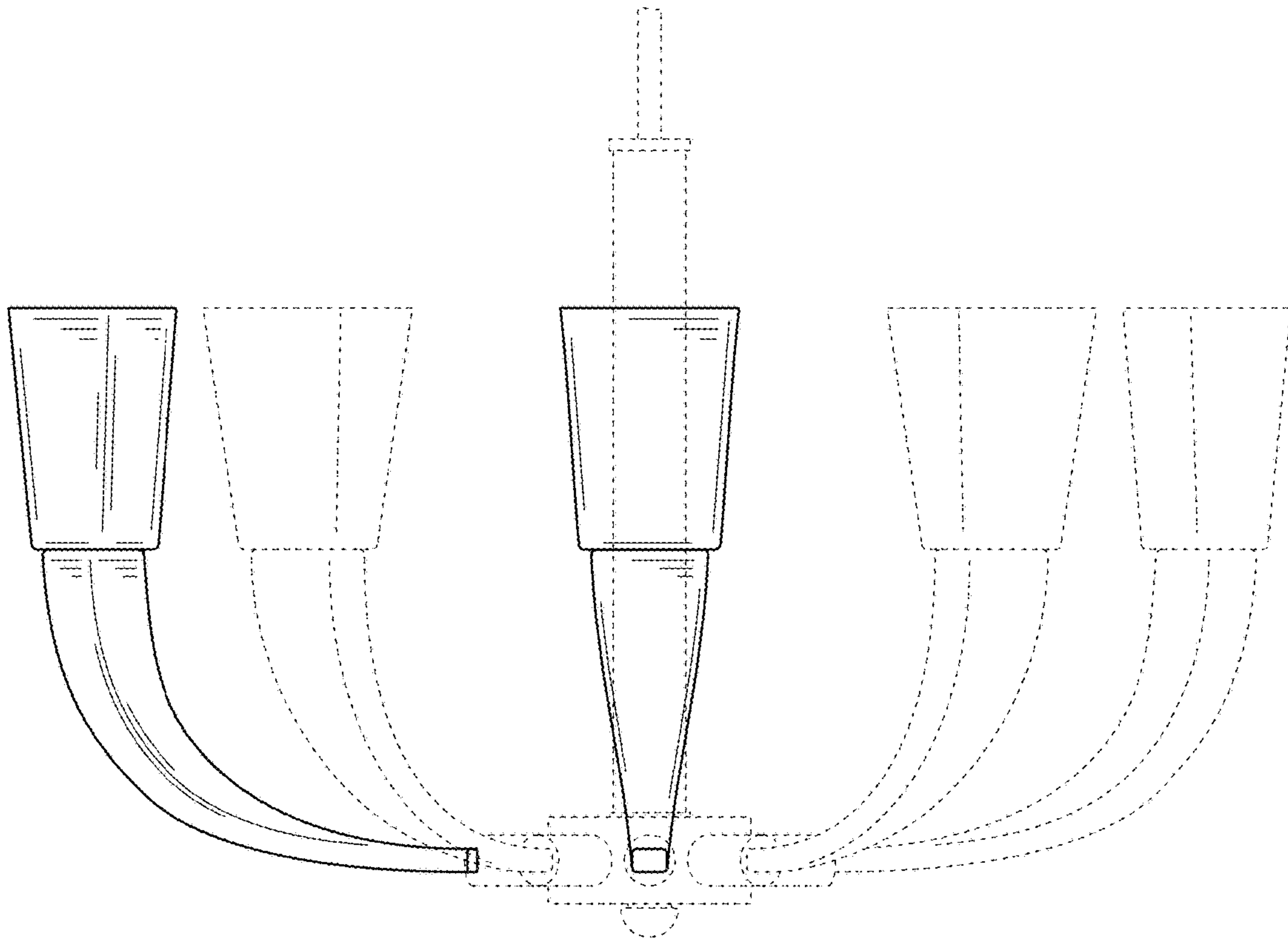




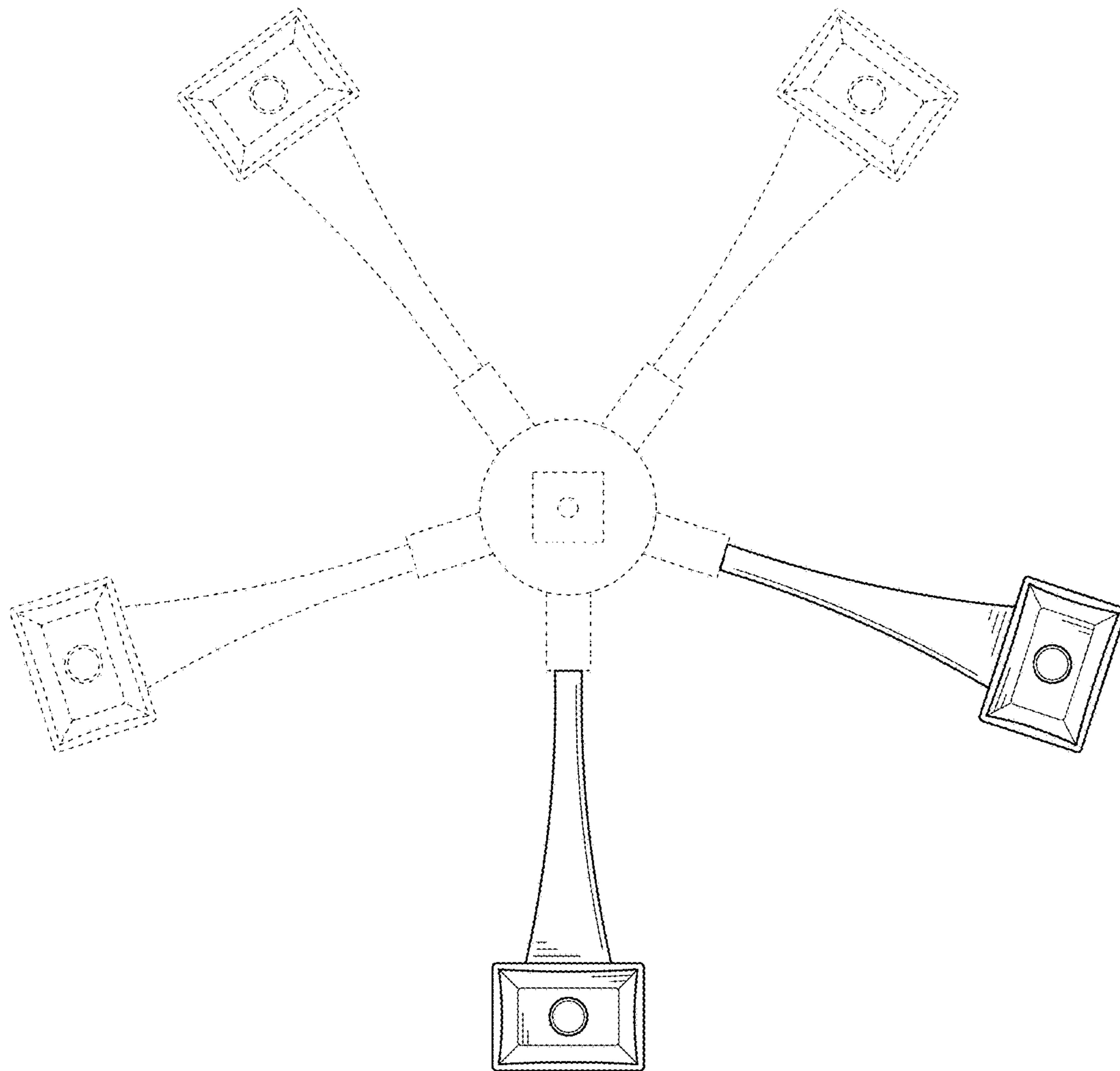
**FIG. 1**



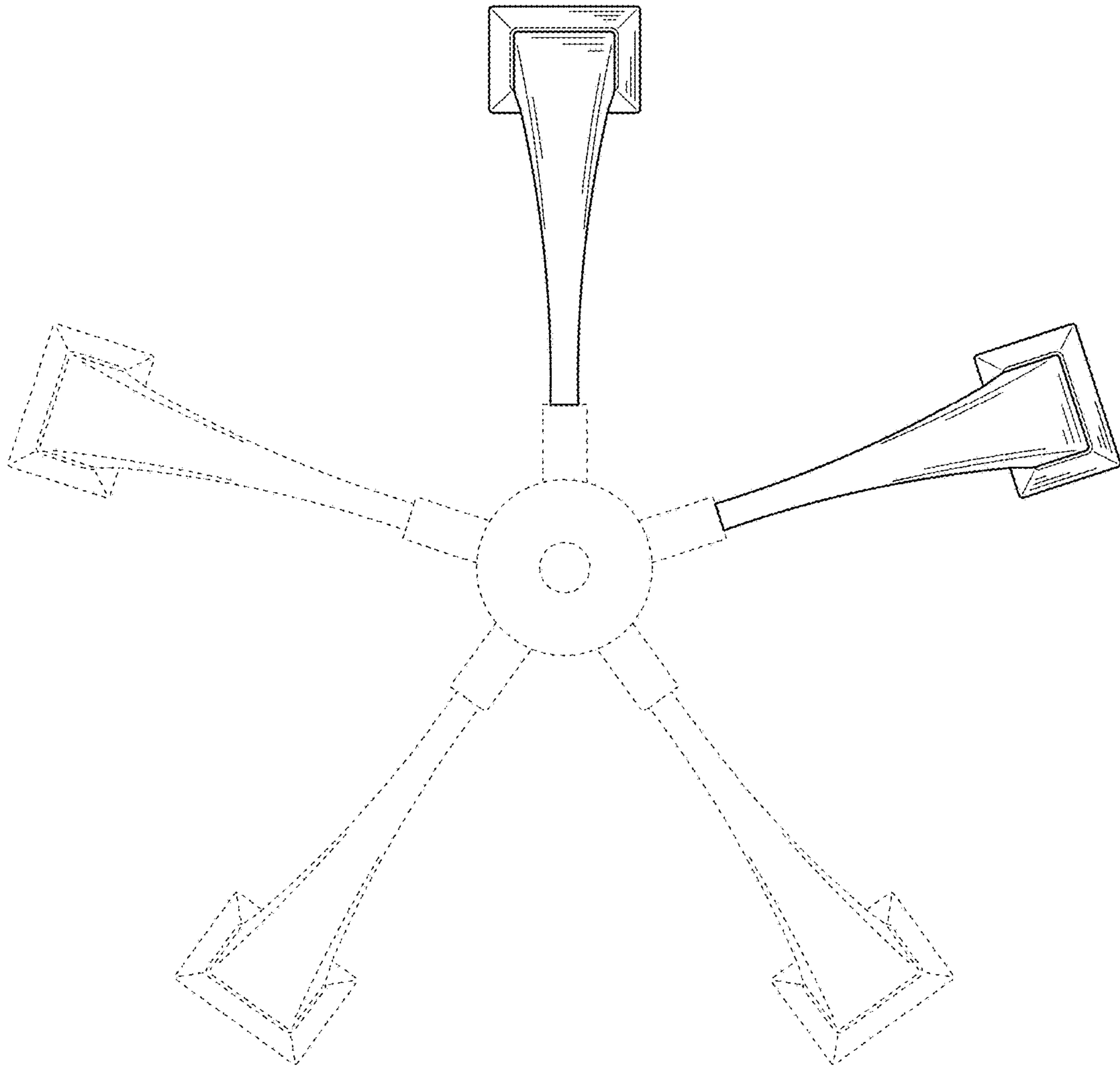
**FIG. 2**



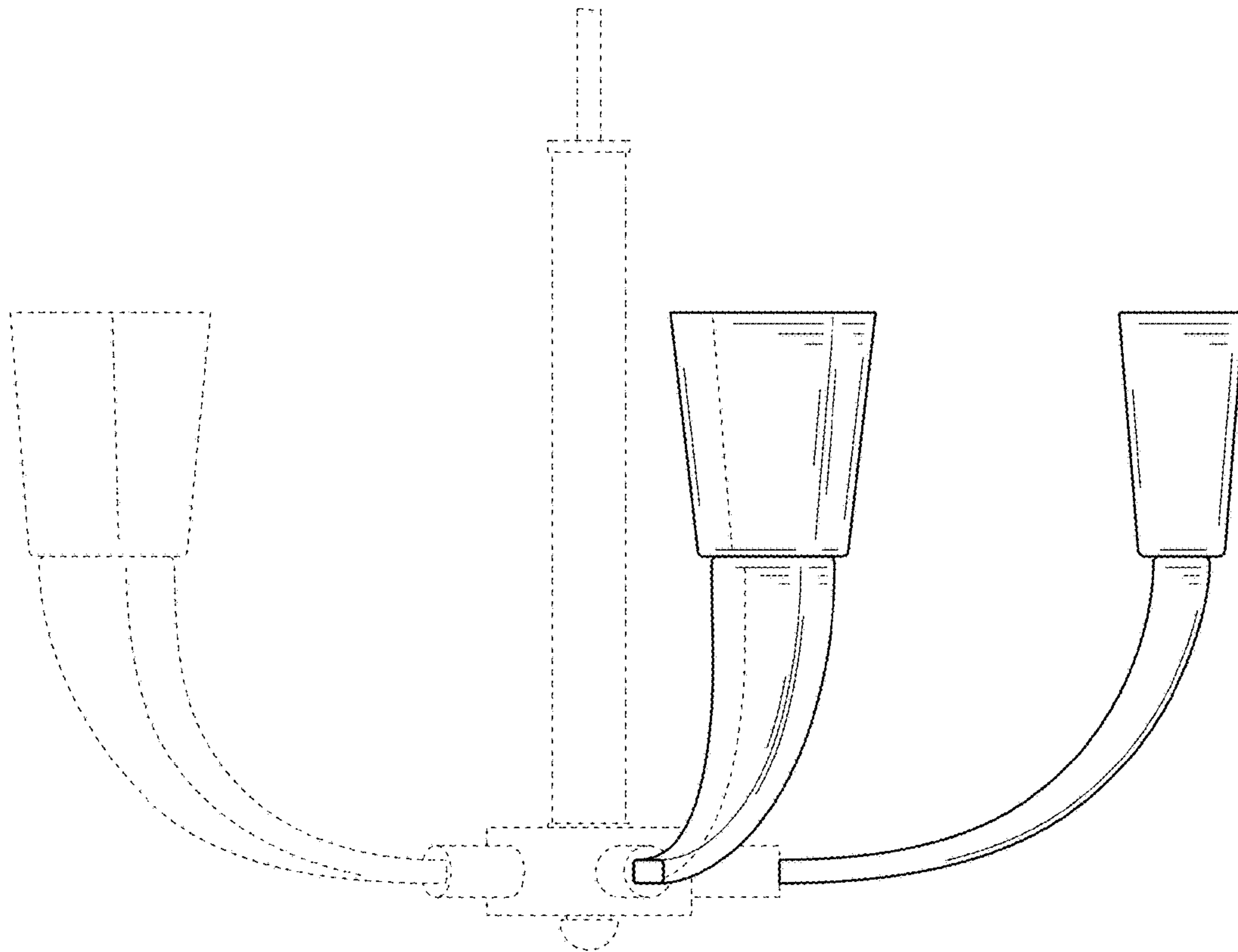
**FIG. 3**



**FIG. 4**

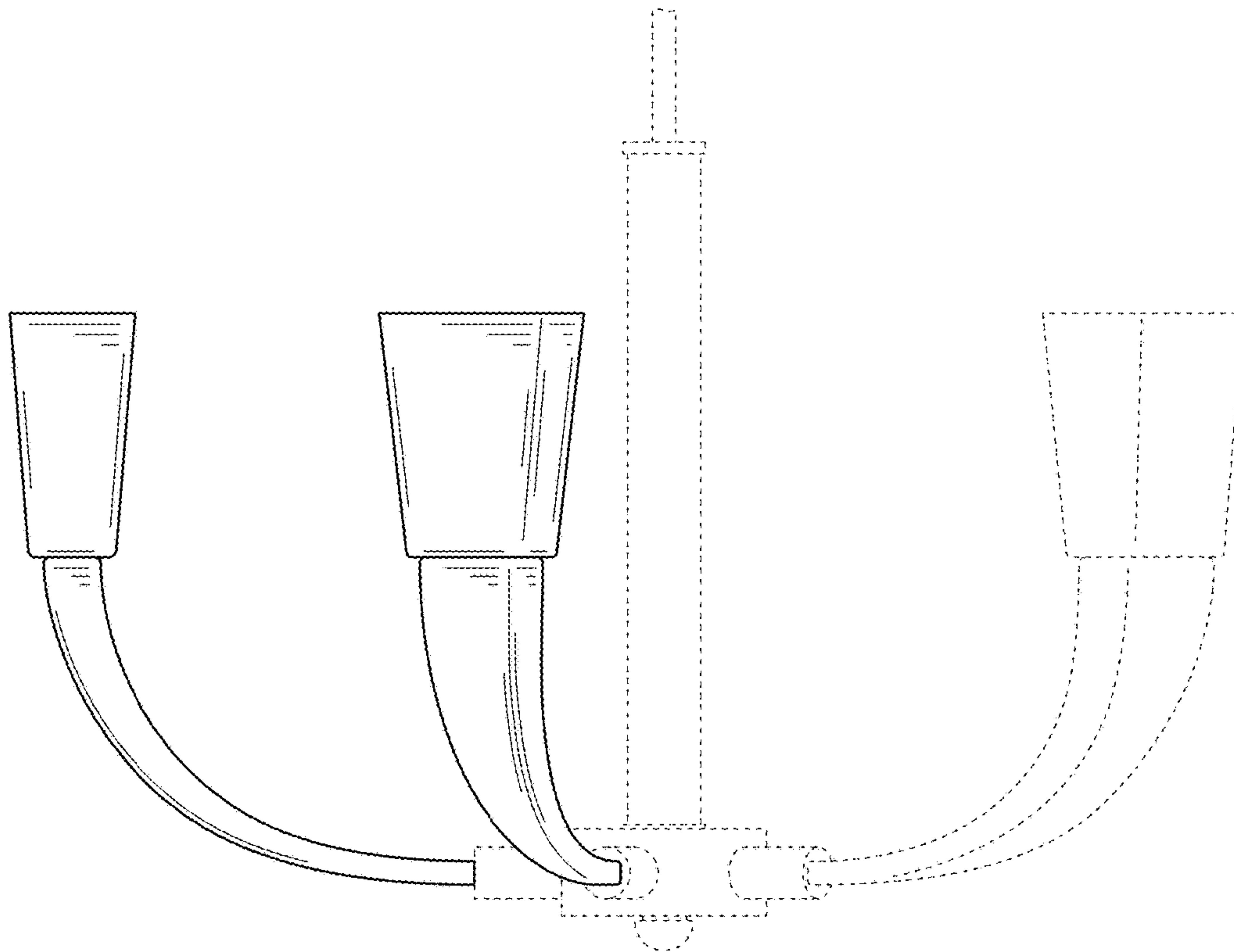


**FIG. 5**



**FIG. 6**





**FIG. 7**