



US00D822269S

(12) **United States Design Patent** (10) **Patent No.:** **US D822,269 S**
Oquendo, Jr. (45) **Date of Patent:** **** Jul. 3, 2018**

(54) **LED LIGHTING STRIP**
(71) Applicant: **ENERGY PLANNING ASSOCIATES CORP.**, Sanford, FL (US)
(72) Inventor: **Saturnino Oquendo, Jr.**, Orlando, FL (US)
(73) Assignee: **ENERGY PLANNING ASSOCIATES CORP.**, Sanford, FL (US)

D701,642 S * 3/2014 Myers D26/155
D701,643 S * 3/2014 Myers D26/155
D701,644 S * 3/2014 Myers D26/155
D701,995 S * 4/2014 Myers D26/155
D726,362 S * 4/2015 Kim D26/120
D747,539 S * 1/2016 Santoro D26/120
D774,685 S * 12/2016 Topp D26/121
D803,455 S * 11/2017 Blessitt D26/76

* cited by examiner

(**) Term: **15 Years**

Primary Examiner — George D. Kirschbaum
Assistant Examiner — Natasha Vujcic
(74) *Attorney, Agent, or Firm* — Matthew G. McKinney, Esq.; Allen, Dyer, Doppelt + Gilchrist PA

(21) Appl. No.: **29/560,908**

(22) Filed: **Apr. 12, 2016**

(57) **CLAIM**

(51) **LOC (11) Cl.** **26-05**

The ornamental design for a LED lighting strip, as shown and described.

(52) **U.S. Cl.**

USPC **D26/155**

DESCRIPTION

(58) **Field of Classification Search**

USPC D26/76, 78, 79, 80, 81, 82, 83, 85, 86, D26/88, 90, 113, 118, 119, 120, 121, 122, D26/138, 139, 140, 141, 142, 152, 154
CPC F21S 2/00; F21S 4/00; F21S 4/003; F21S 4/005; F21S 4/006; F21S 4/007; F21S 4/008; F21S 6/00; F21S 8/00; F21S 8/024; F21S 8/026; F21S 8/031; F21S 8/033; F21S 8/035–8/037; F21S 8/04; F21S 8/043; F21S 8/063

See application file for complete search history.

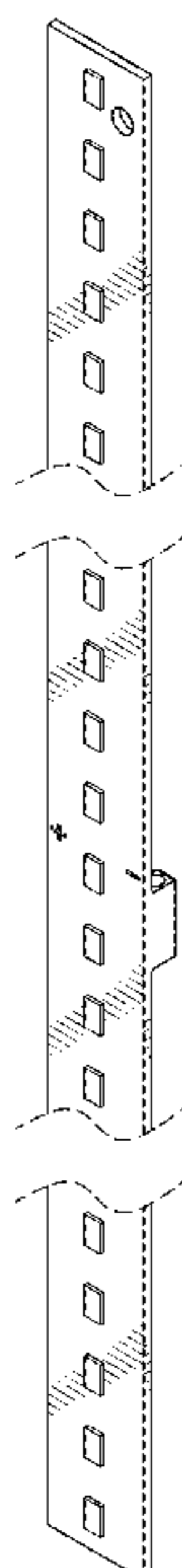
FIG. 1 is a front perspective view of a LED lighting strip of an indefinite length showing my new design;
FIG. 2 is a rear perspective view thereof;
FIG. 3 is a top plan view thereof;
FIG. 4 is a bottom plan view thereof;
FIG. 5 is a left side elevational view thereof;
FIG. 6 is a right side elevational view thereof;
FIG. 7 is a front elevational view thereof;
FIG. 8 is a rear elevational view thereof;
FIG. 9 is a front perspective view thereof showing the LED lighting strip in a position of use; and,
FIG. 10 is another front perspective view thereof showing a plurality of lighting strips in a position of use.
The broken lines in FIGS. 9 and 10 represent structural components which are in the environment of the claimed design, but which do not form part of the claimed design.

(56) **References Cited**

U.S. PATENT DOCUMENTS

D532,544 S * 11/2006 Woertler D26/80
D565,750 S * 4/2008 Egawa D26/1
D606,229 S * 12/2009 Johansen D26/76
D614,780 S * 4/2010 Huang D26/1

1 Claim, 5 Drawing Sheets



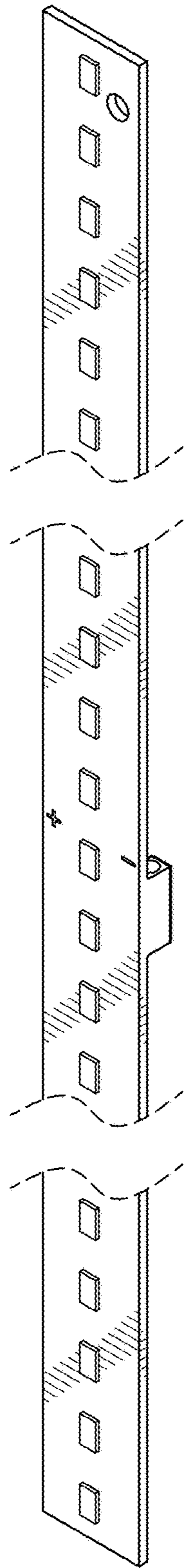


FIG. 1

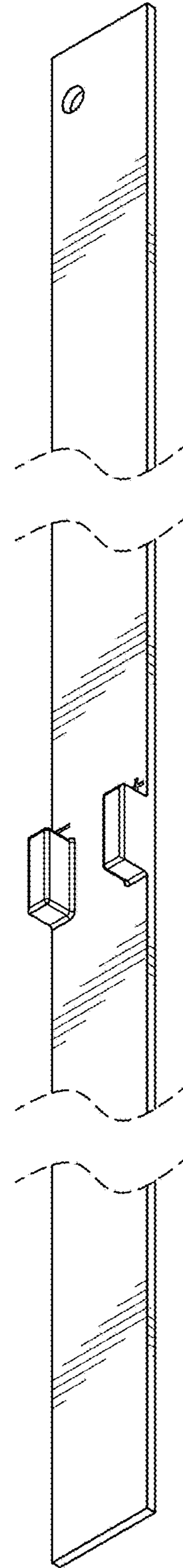


FIG. 2



FIG. 3



FIG. 4

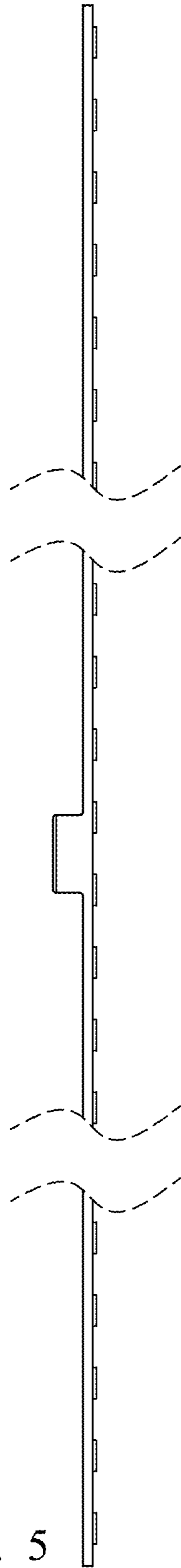


FIG. 5

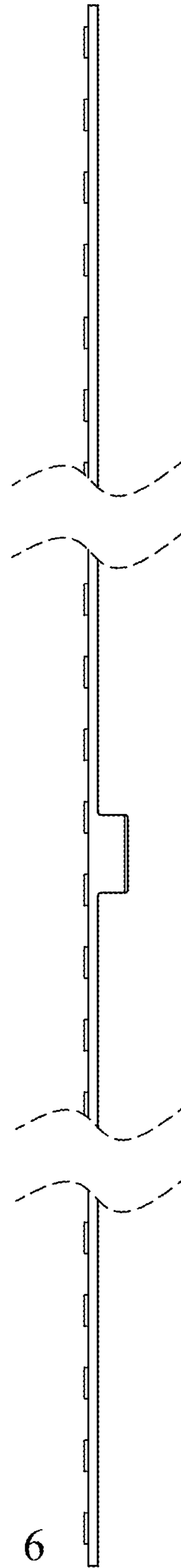


FIG. 6

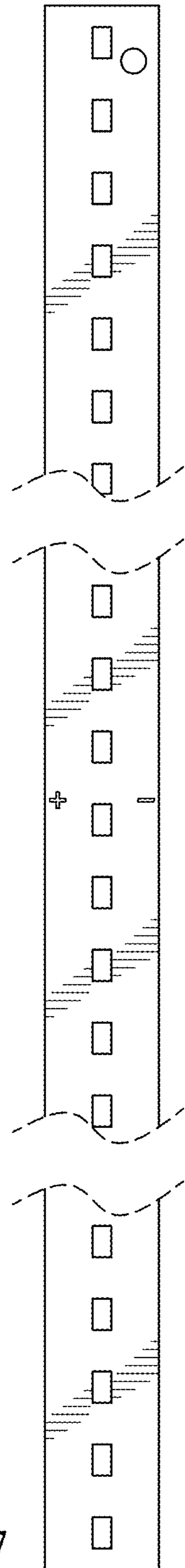


FIG. 7

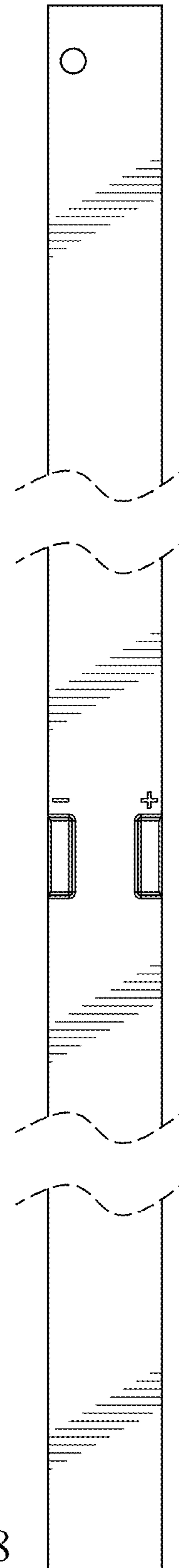


FIG. 8

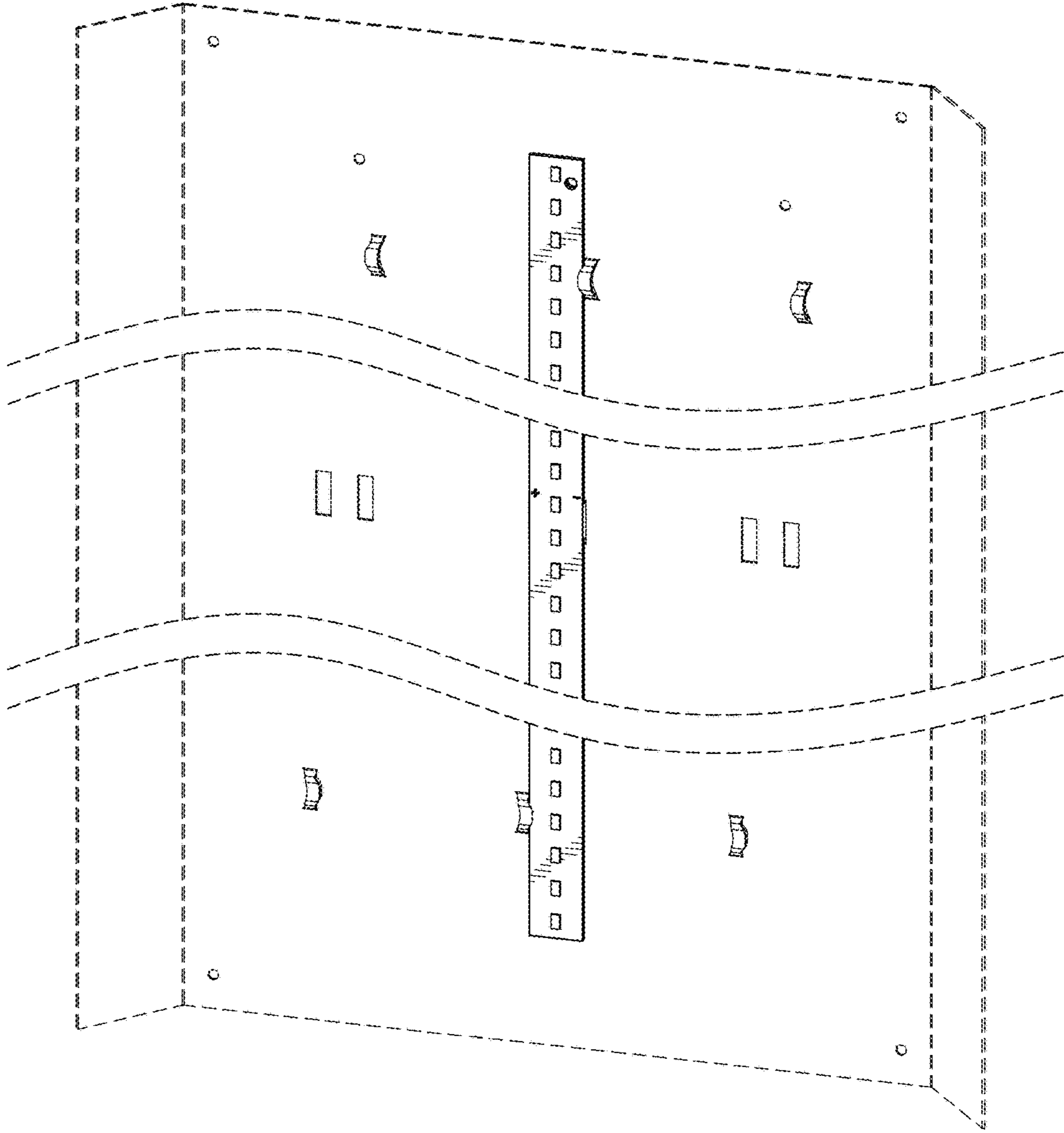


FIG. 9

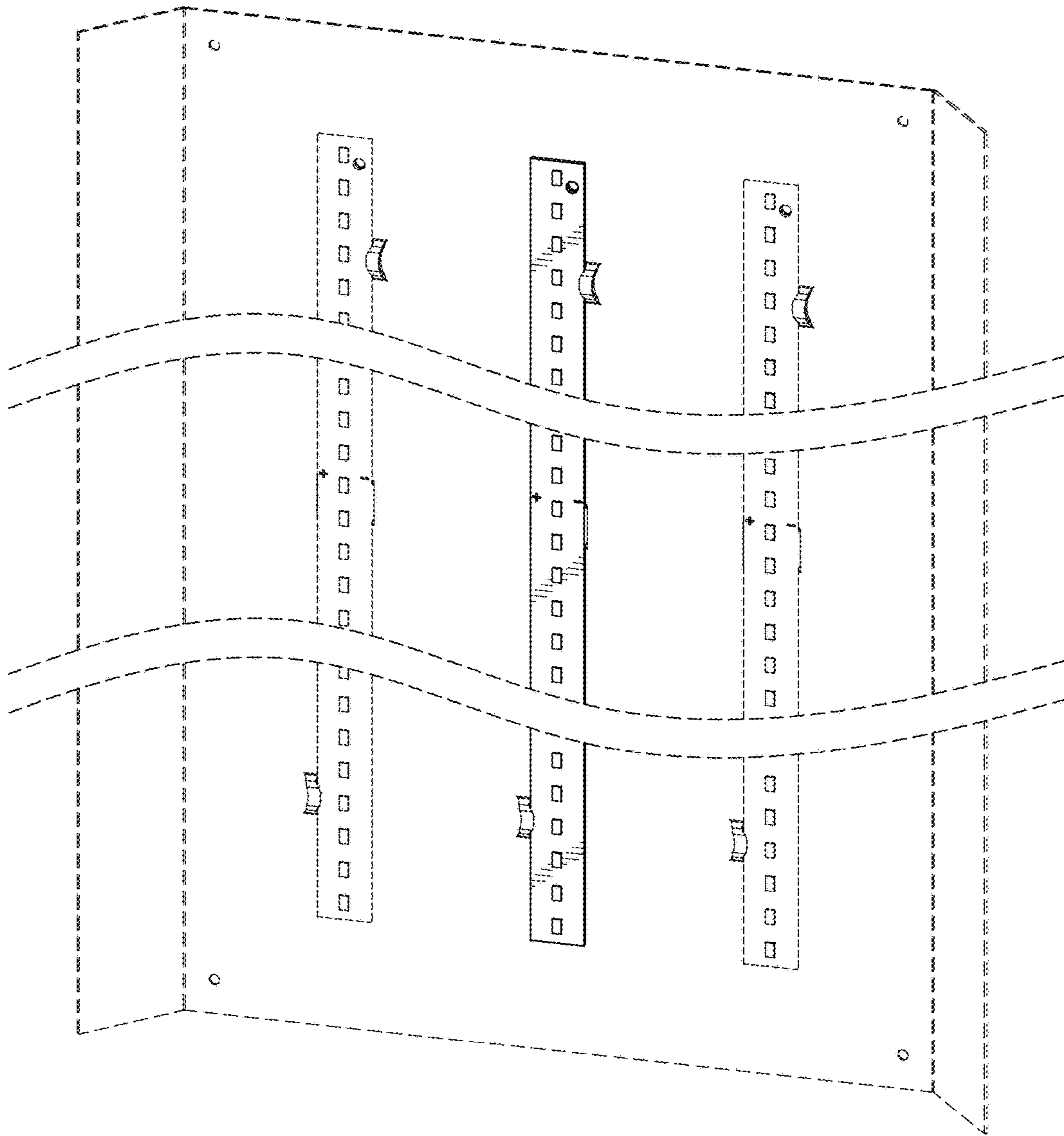


FIG. 10