



US00D822267S

(12) **United States Design Patent**
Yao

(10) **Patent No.:** **US D822,267 S**
(45) **Date of Patent:** **** Jul. 3, 2018**

(54) **FLOOR LAMP**

(71) Applicant: **Shenzhen Aukey E-Business Co., Ltd.**,
Shenzhen (CN)

(72) Inventor: **Meiquan Yao**, Shenzhen (CN)

(73) Assignee: **Shenzhen Aukey E-Business Co., Ltd.**,
Shenzhen (CN)

(**) Term: **15 Years**

(21) Appl. No.: **29/618,197**

(22) Filed: **Sep. 19, 2017**

(51) **LOC (11) Cl.** **26-03**

(52) **U.S. Cl.**
USPC **D26/107**

(58) **Field of Classification Search**
USPC D26/1, 24, 93, 104, 106, 107, 109, 110,
D26/62

CPC F21S 6/00; F21S 6/043; F21S 8/08; F21V
21/00; F21V 21/02; F21W 2121/00;
F21W 2131/30

See application file for complete search history.

(56) **References Cited**

U.S. PATENT DOCUMENTS

D408,577 S * 4/1999 Arndt D26/107
D728,846 S * 5/2015 McCormick D26/107

D757,342 S * 5/2016 Cai D26/107
D759,289 S * 6/2016 Newhouse D26/107
D790,751 S * 6/2017 Kaiser D26/107
D800,953 S * 10/2017 Zandee D26/107

* cited by examiner

Primary Examiner — Brian N Vinson

(74) *Attorney, Agent, or Firm* — JiangIP LLC; Yanling
Jiang

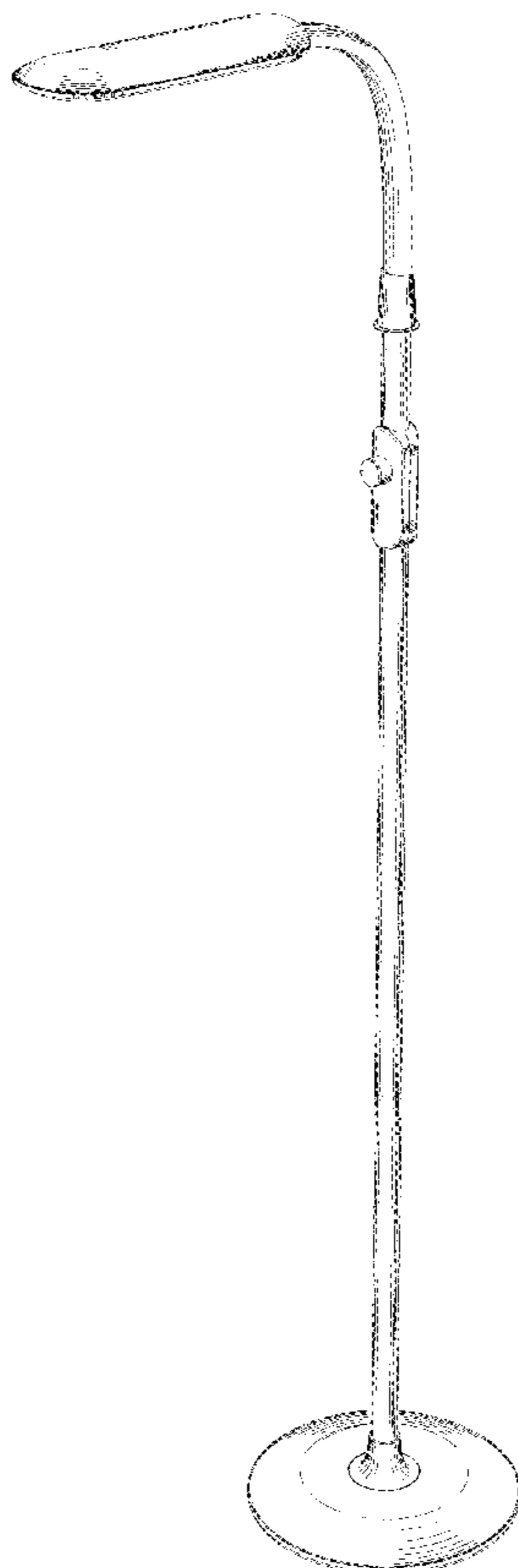
(57) **CLAIM**

The ornamental design for a floor lamp, as shown and
described.

DESCRIPTION

FIG. 1 is a perspective view showing a floor lamp.
FIG. 2 is a front view of a floor lamp.
FIG. 3 is a rear view of a floor lamp.
FIG. 4 is a top view of a floor lamp.
FIG. 5 is a bottom view of a floor lamp.
FIG. 6 is a side view of a floor lamp; and,
FIG. 7 is a side view of a floor lamp.

1 Claim, 7 Drawing Sheets



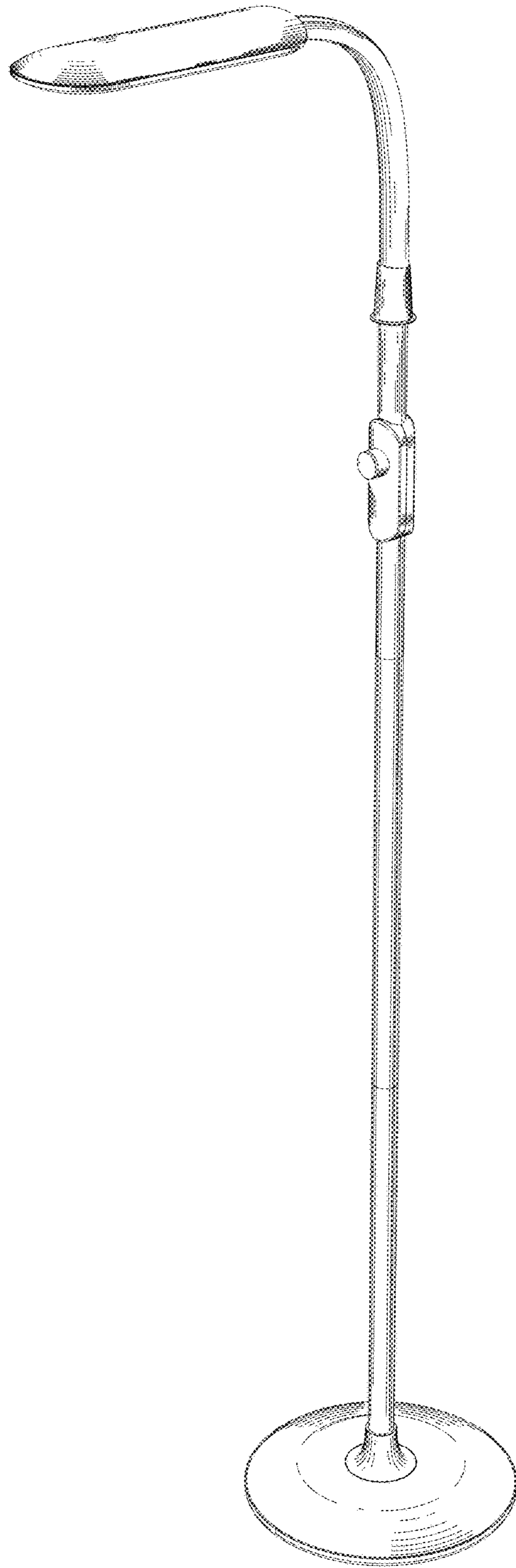


Fig. 1

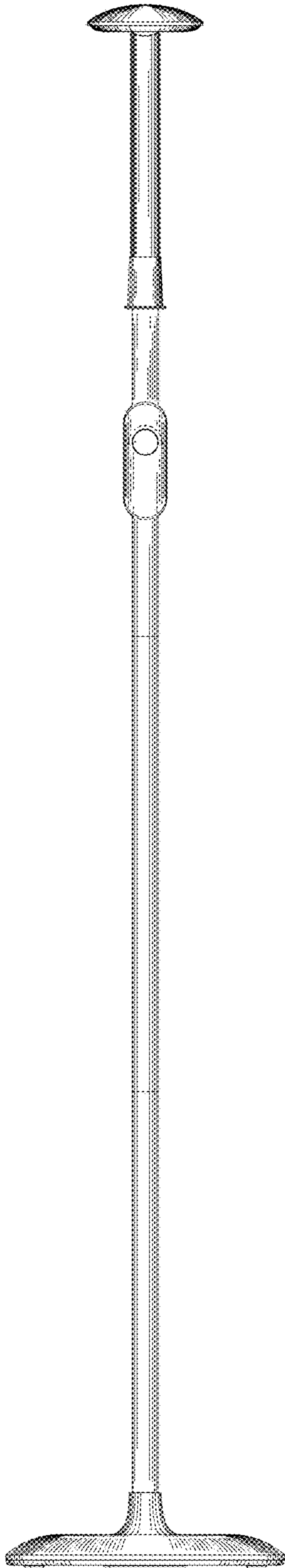


Fig. 2

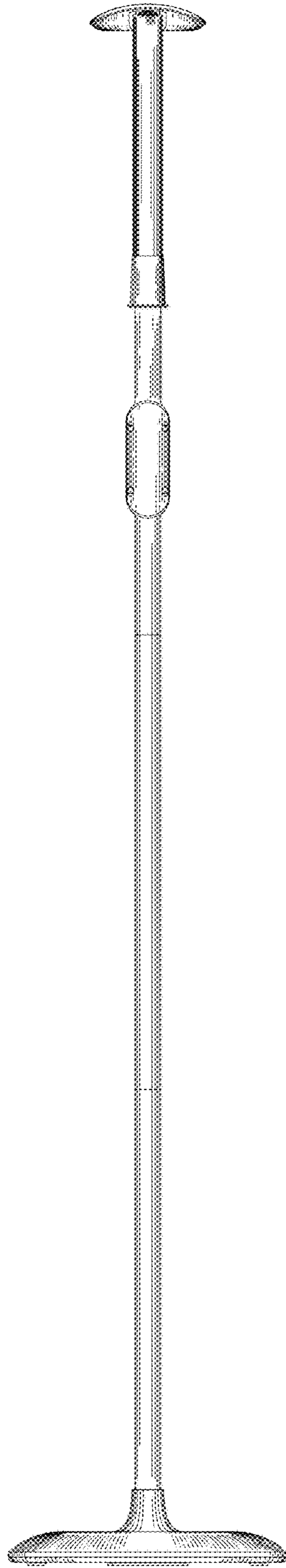


Fig. 3

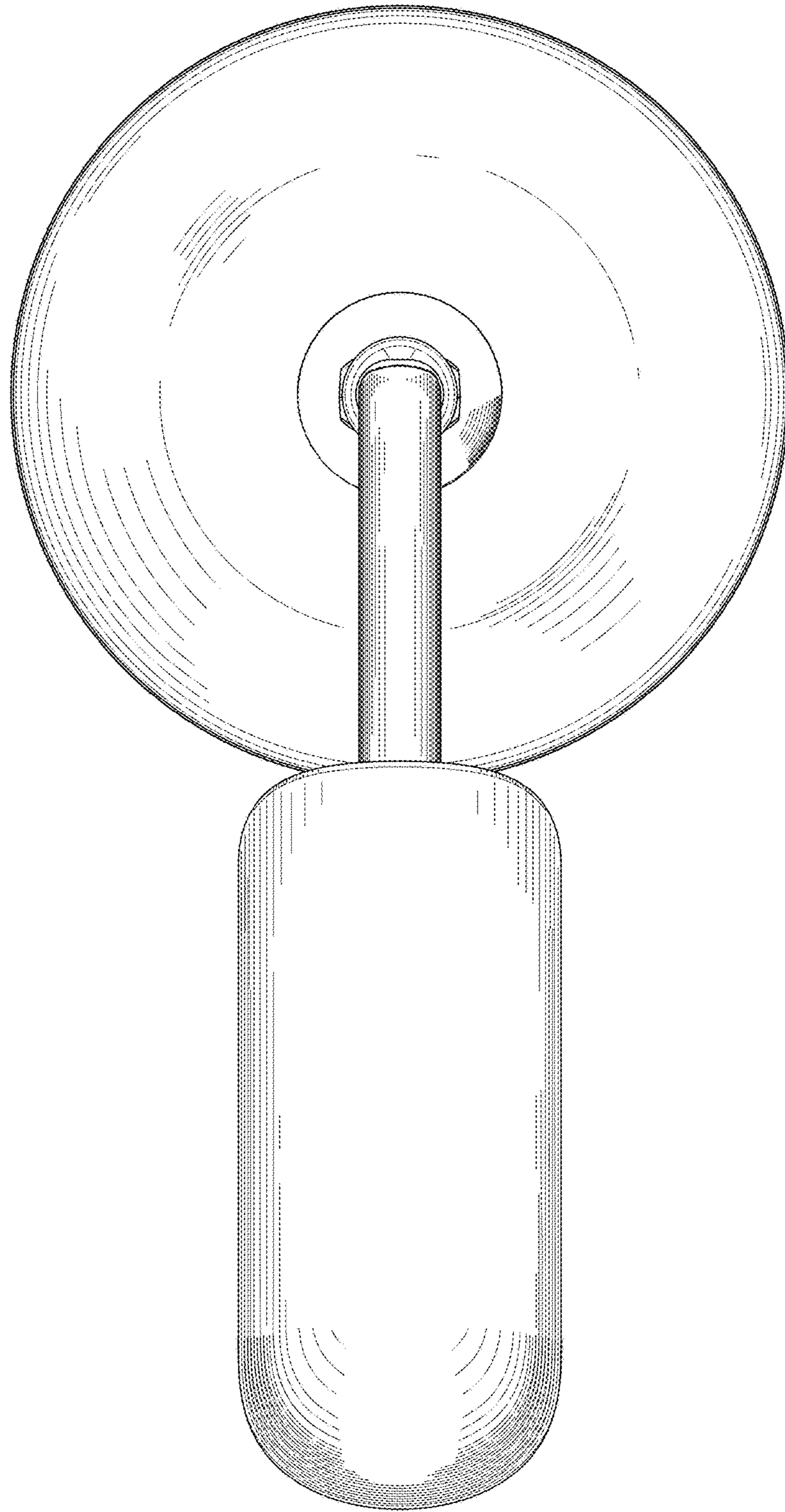


Fig. 4

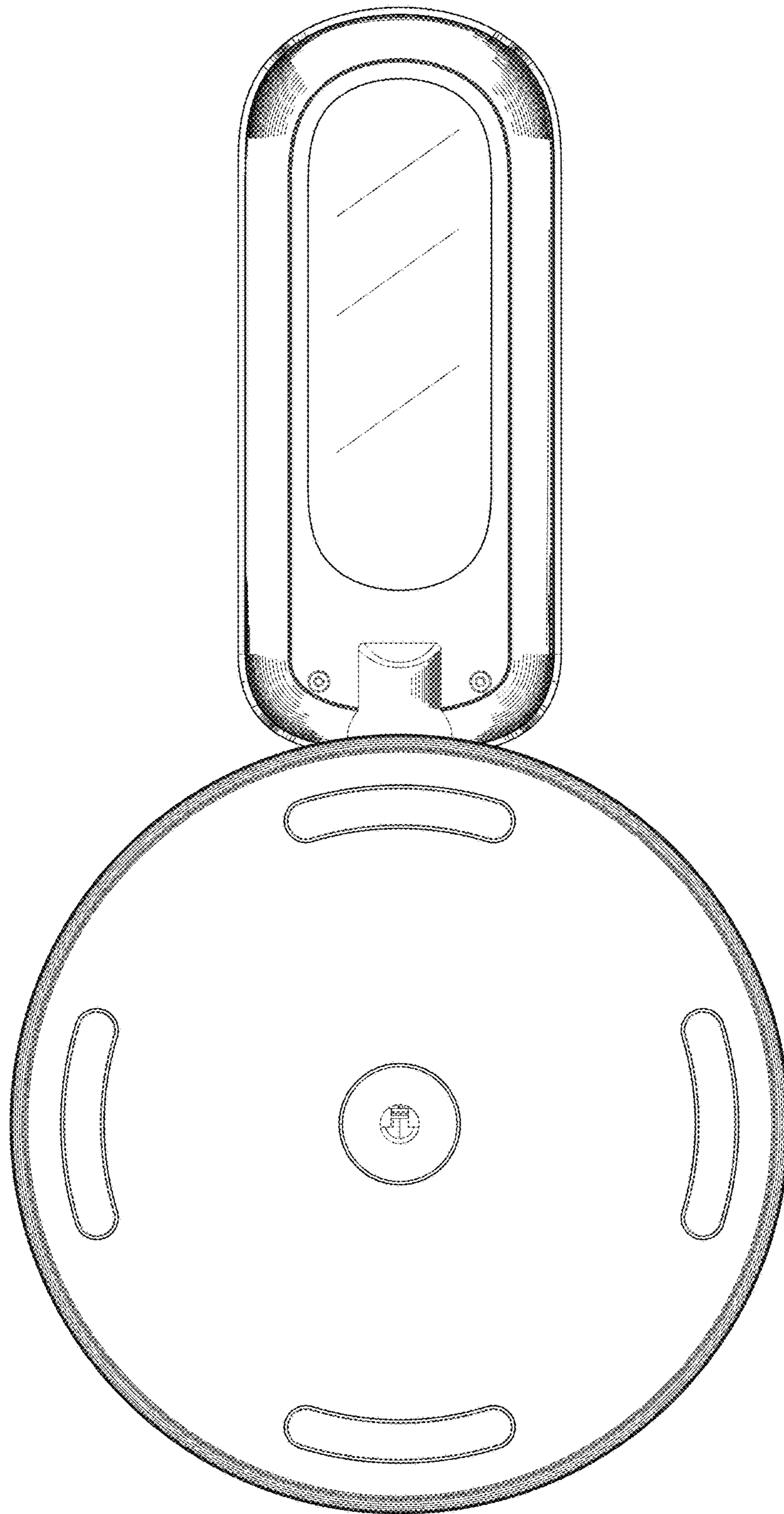


Fig. 5

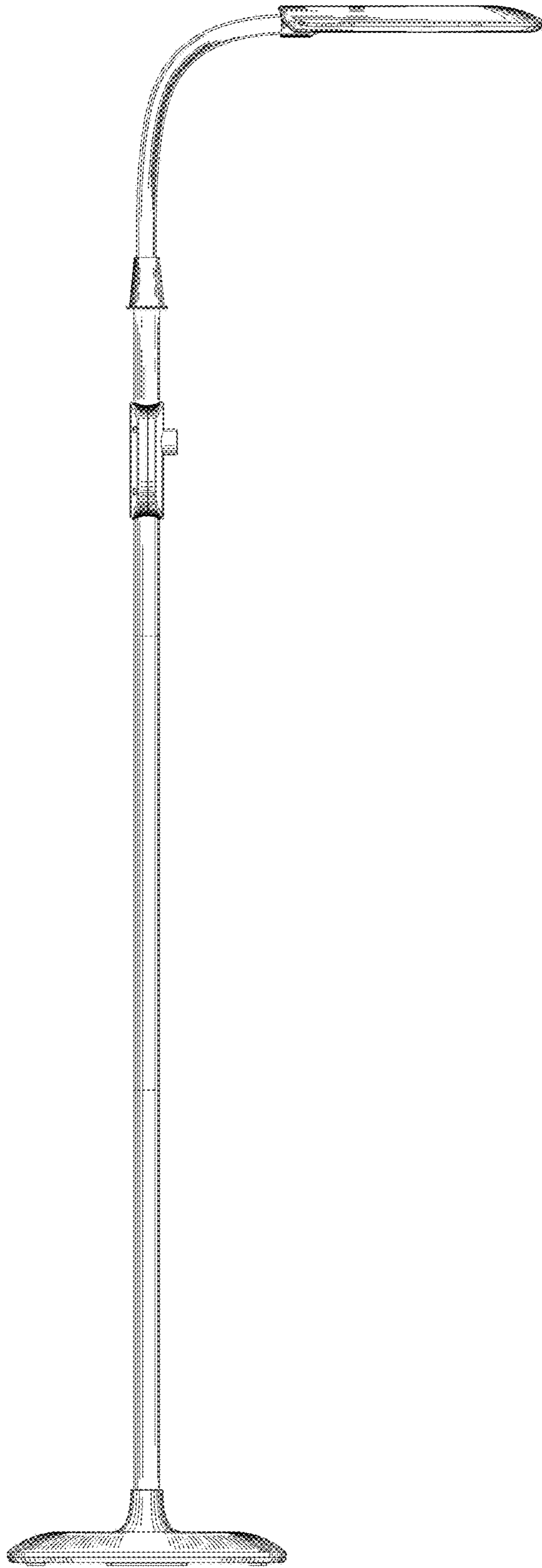


Fig. 6



Fig. 7