



US00D822265S

(12) **United States Design Patent**  
**Tong**

(10) **Patent No.:** **US D822,265 S**

(45) **Date of Patent:** **\*\* Jul. 3, 2018**

(54) **LAMP**

(71) Applicant: **Shenzhen Highstar Electrical Co., Ltd**, Shenzhen, Guangdong (CN)

(72) Inventor: **Guoming Tong**, Guangdong (CN)

(73) Assignee: **Shenzhen Highstar Electrical Co., Ltd**, Shenzhen (CN)

(\*\*) Term: **15 Years**

(21) Appl. No.: **29/603,790**

(22) Filed: **May 12, 2017**

(30) **Foreign Application Priority Data**

Jan. 3, 2017 (CN) ..... 2017 3 0001157

(51) **LOC (11) Cl.** ..... **26-03**

(52) **U.S. Cl.**  
USPC ..... **D26/107**

(58) **Field of Classification Search**  
USPC ..... D26/1, 24, 93, 104, 106, 107, 109, 110,  
D26/62

CPC ..... F21S 6/00; F21S 6/043; F21S 8/08; F21V  
21/00; F21V 21/02; F21W 2121/00;  
F21W 2131/30

See application file for complete search history.

(56) **References Cited**

U.S. PATENT DOCUMENTS

D728,845 S *	5/2015	Huang	.....	D26/107
D787,735 S *	5/2017	Edgar	.....	D26/107
D809,187 S *	1/2018	Dai	.....	D26/107
D810,994 S *	2/2018	Yang	.....	D26/107

\* cited by examiner

*Primary Examiner* — Brian N. Vinson

(57) **CLAIM**

The ornamental design for a lamp, as shown and described.

**DESCRIPTION**

FIG. 1 is a front elevational view of a lamp showing my new design;

FIG. 2 is a rear elevational view thereof;

FIG. 3 is a left side view thereof;

FIG. 4 is a right side view thereof;

FIG. 5 is a top plan view thereof;

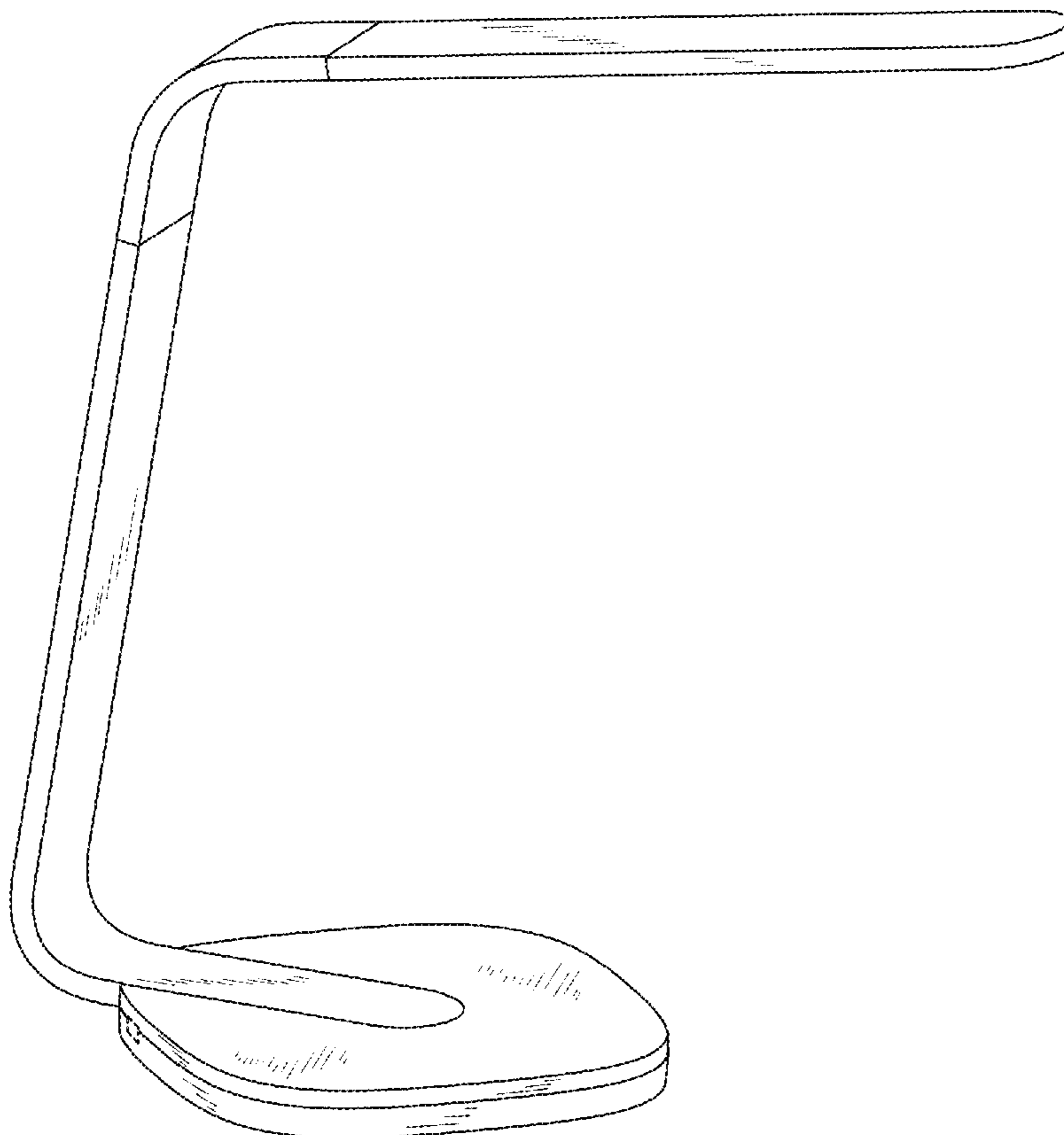
FIG. 6 is a bottom plan view thereof;

FIG. 7 is a first perspective view thereof; and,

FIG. 8 is a second perspective view thereof.

The broken lines in the drawings illustrate portions of the lamp which form no part of the claimed design. The diagonal lines in FIG. 1 and FIG. 6 indicate transparency.

**1 Claim, 8 Drawing Sheets**



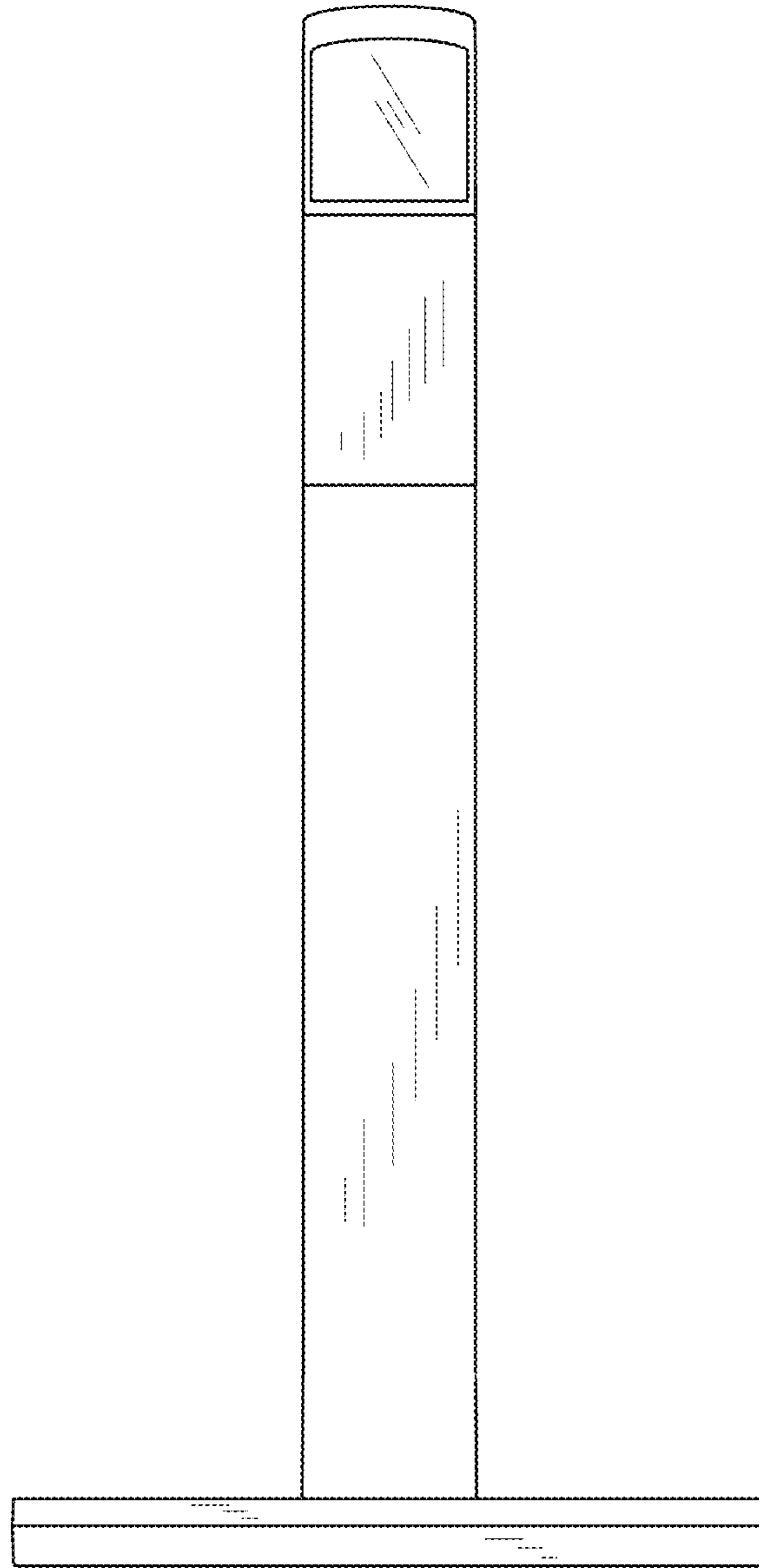


Fig. 1

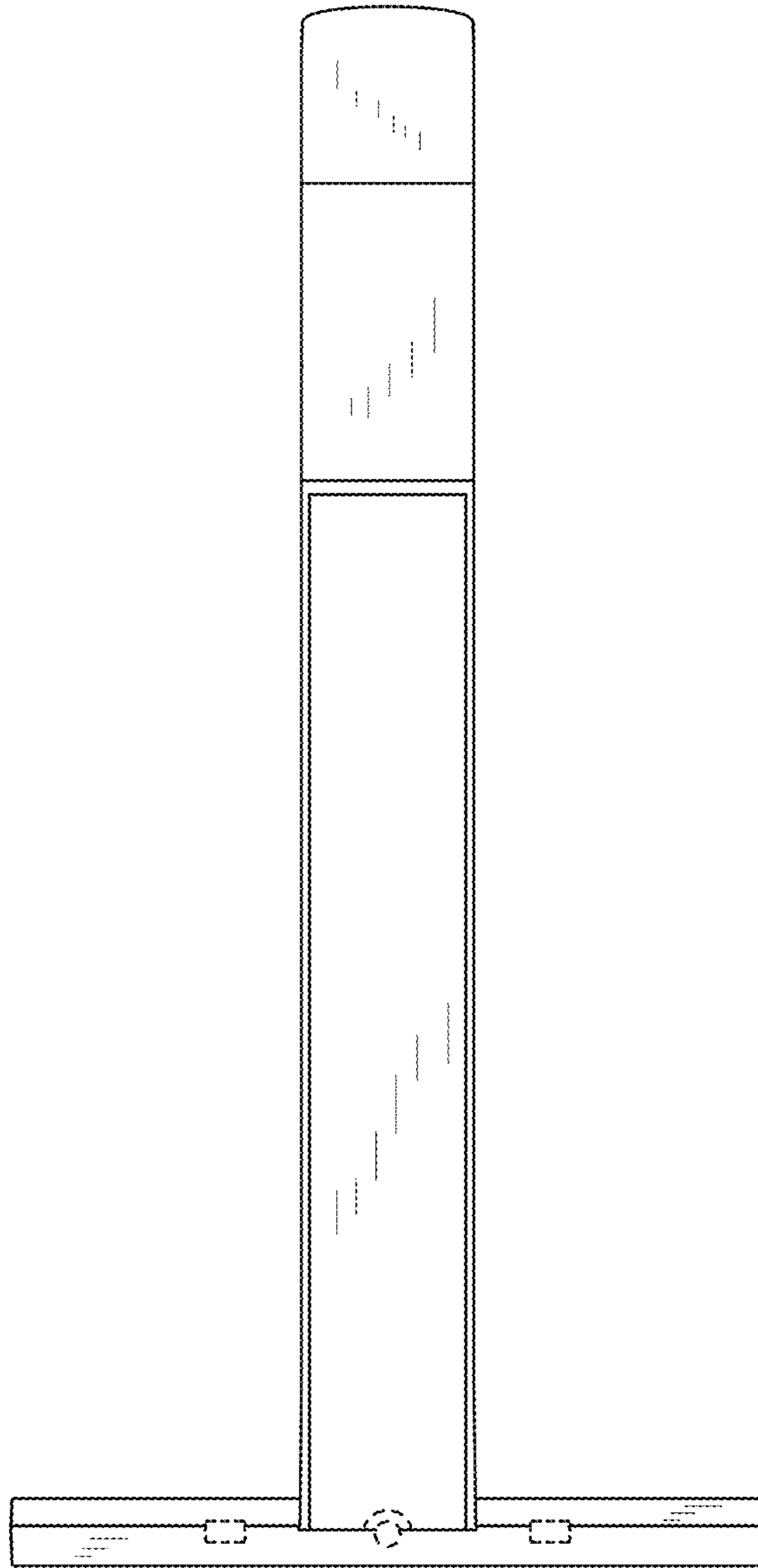


Fig. 2

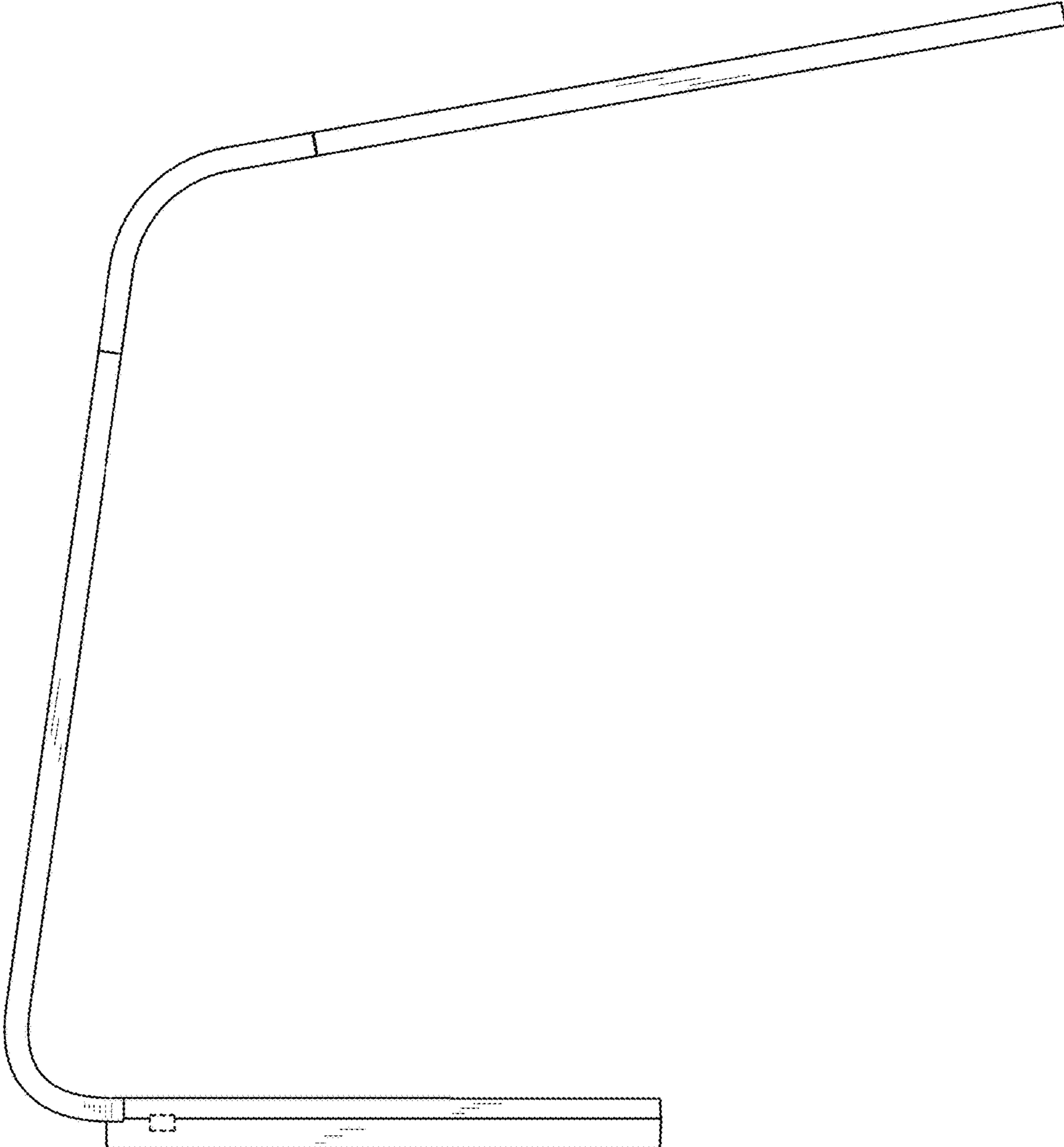


Fig. 3

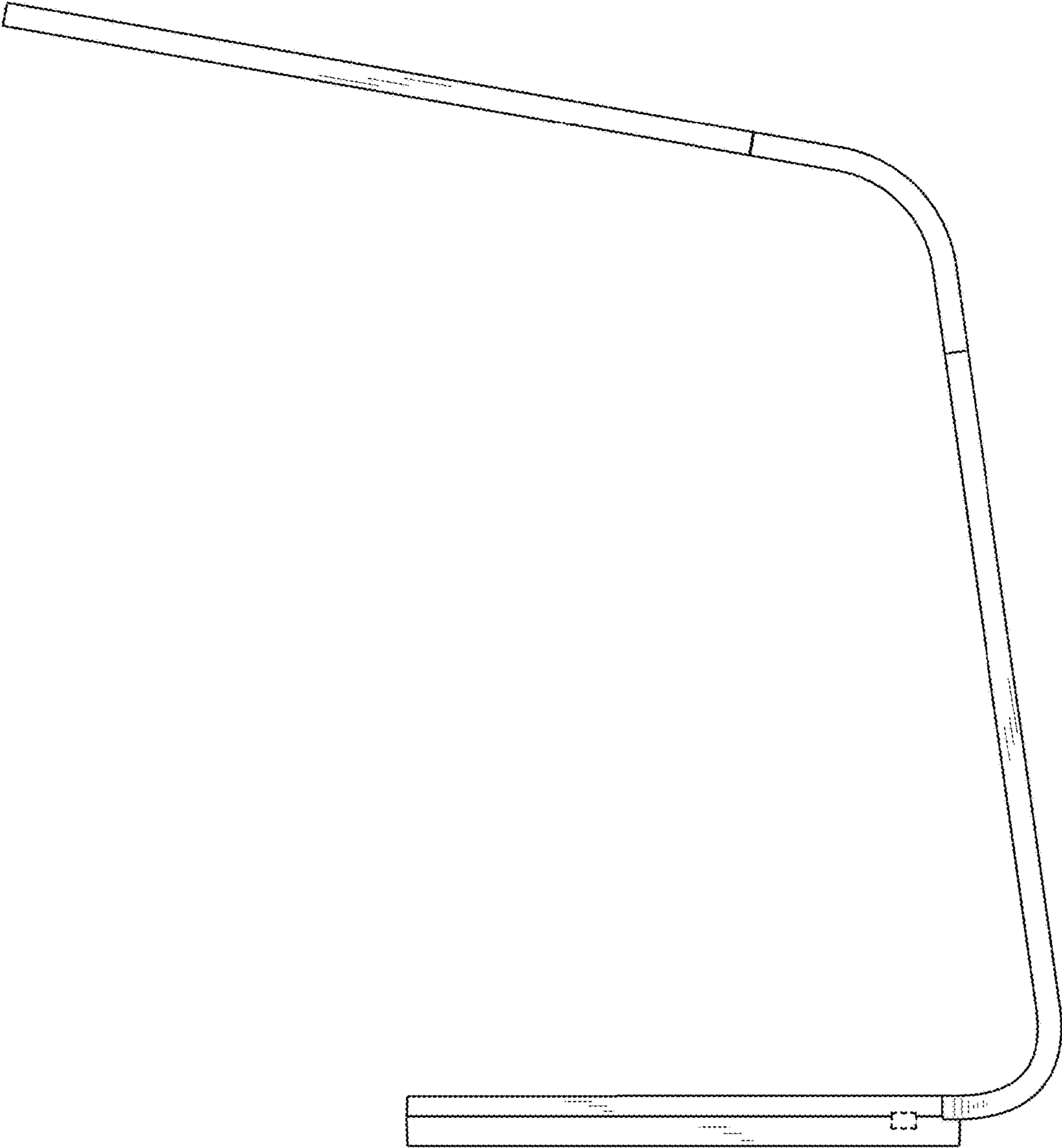


Fig. 4

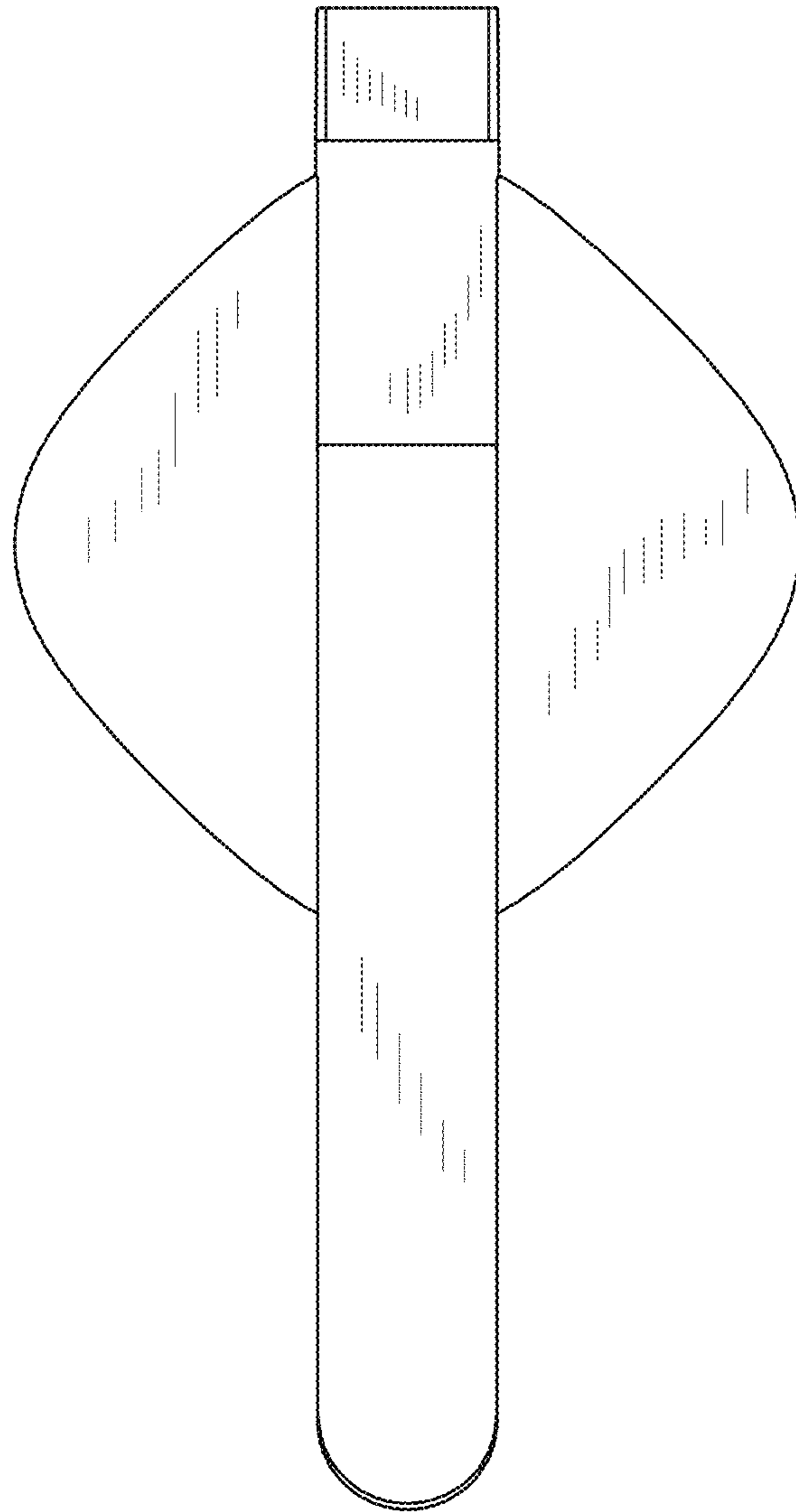


Fig. 5

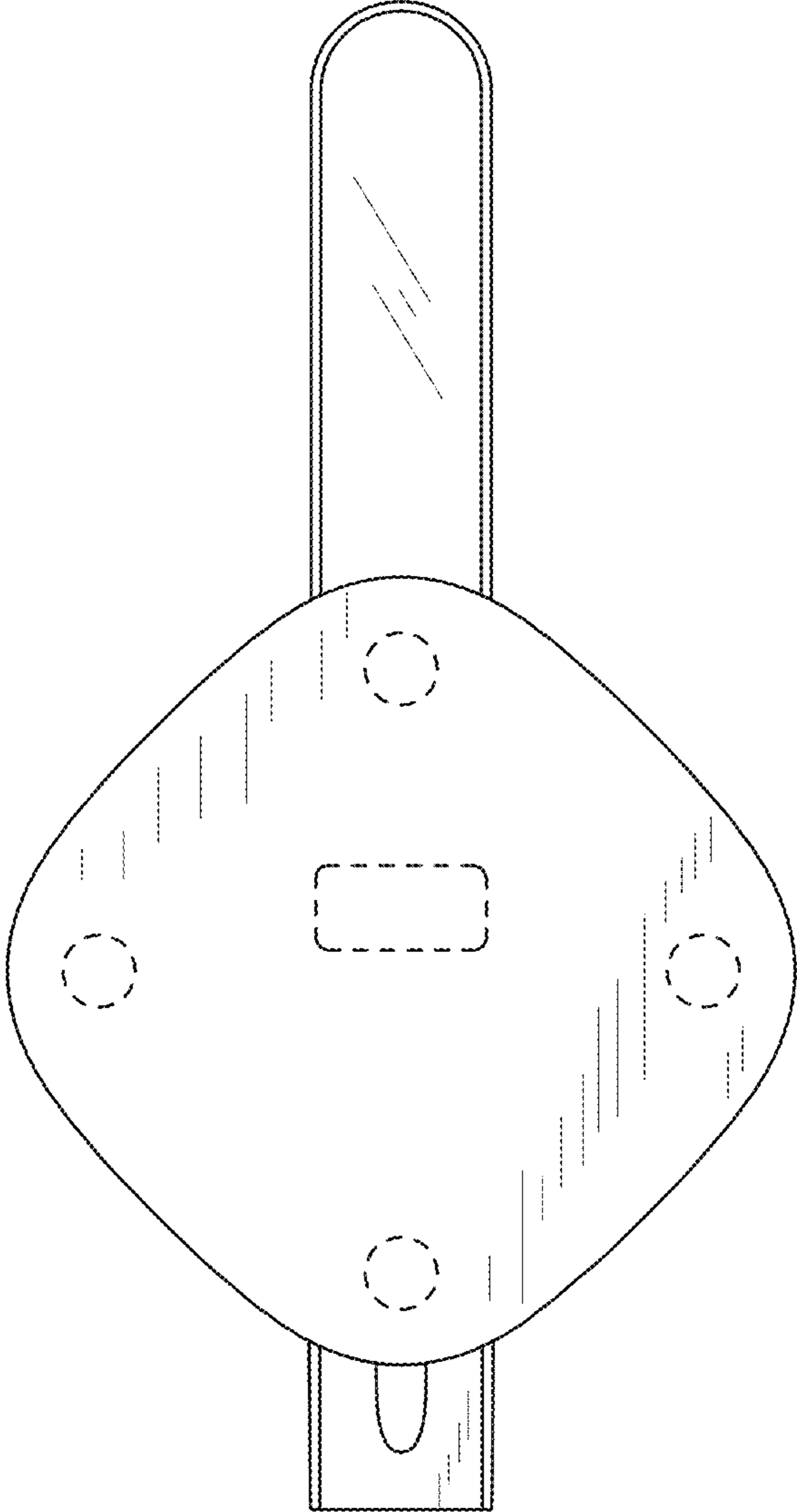


Fig. 6

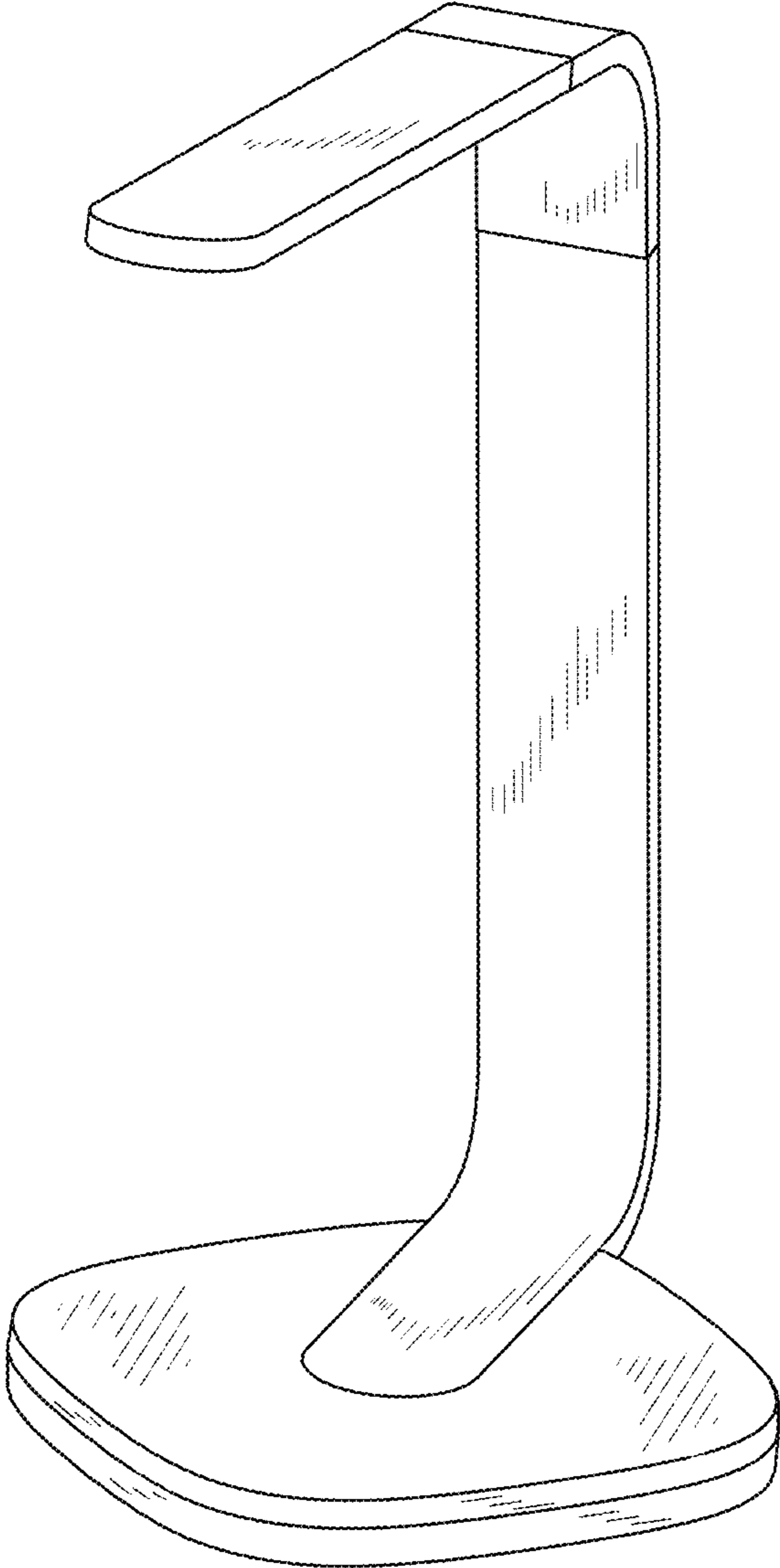


Fig. 7



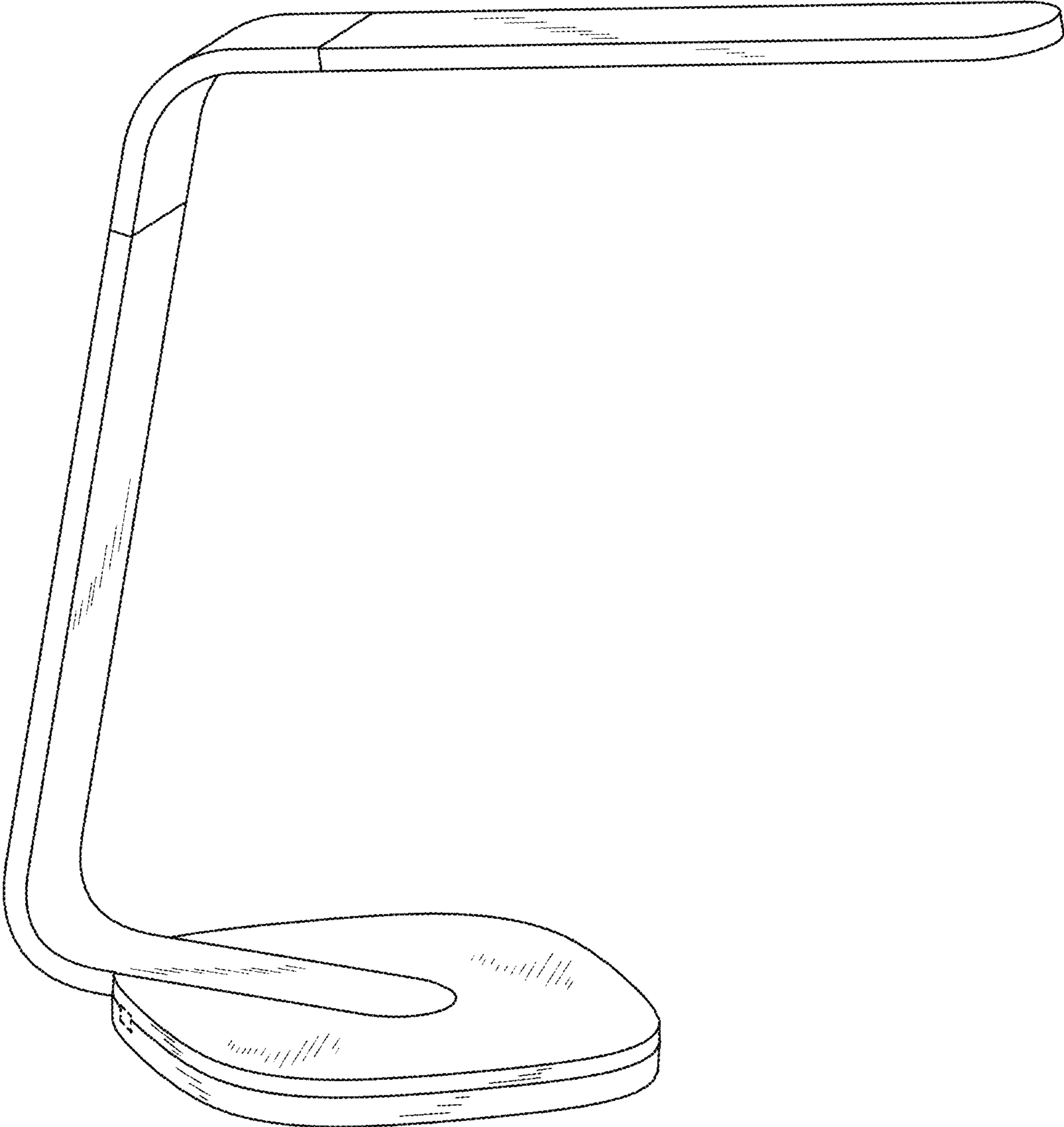


Fig. 8