



US00D822260S

(12) **United States Design Patent** (10) **Patent No.:** **US D822,260 S**  
**Lee et al.** (45) **Date of Patent:** **\*\* Jul. 3, 2018**

(54) **PUBLIC LIGHTING FIXTURE**

(56) **References Cited**

(71) Applicant: **PHILIPS LIGHTING HOLDING B.V.**, Eindhoven (NL)  
(72) Inventors: **Stephen Lee**, Londonderry, NH (US); **Peter Swai**, Wakefield, MA (US); **Zachary Robert Wessner**, Salem, NH (US); **Timothy Jordan**, Lexington, MA (US); **Benjamin Daniel Sweet-Block**, Arlington, MA (US)  
(73) Assignee: **PHILIPS LIGHTING HOLDING B.V.**, Eindhoven (NL)

U.S. PATENT DOCUMENTS

|           |    |   |         |                 |       |            |
|-----------|----|---|---------|-----------------|-------|------------|
| D421,505  | S  | * | 3/2000  | Hastings        | ..... | D26/76     |
| D526,082  | S  | * | 8/2006  | McCarthy, III   | ..... | D26/72     |
| D543,305  | S  | * | 5/2007  | Wang            | ..... | D26/60     |
| D581,080  | S  | * | 11/2008 | Mier-Langner    | ..... | D26/63     |
| D589,638  | S  | * | 3/2009  | Collins         | ..... | D26/72     |
| D603,079  | S  | * | 10/2009 | Toot            | ..... | D26/118    |
| D607,599  | S  | * | 1/2010  | Zhou            | ..... | D26/76     |
| D695,943  | S  | * | 12/2013 | Duquette        | ..... | D26/76     |
| D702,387  | S  | * | 4/2014  | Pedersen        | ..... | D26/63     |
| D709,238  | S  | * | 7/2014  | May             | ..... | D26/72     |
| D730,564  | S  | * | 5/2015  | Waldmann        | ..... | D26/76     |
| D737,493  | S  | * | 8/2015  | Yasuji Fletcher | ..... | D26/63     |
| 9,188,291 | B2 | * | 11/2015 | Cassidy         | ..... | F21S 4/28  |
| 9,239,150 | B2 | * | 1/2016  | Sieberth        | ..... | F21V 15/01 |
| D751,442  | S  | * | 3/2016  | Lv              | ..... | D10/114.4  |
| D753,865  | S  | * | 4/2016  | Waldmann        | ..... | D26/76     |
| 9,322,533 | B1 | * | 4/2016  | Pearson         | ..... | F21V 21/02 |
| D776,314  | S  | * | 1/2017  | Aho             | ..... | D10/114.4  |
| D776,335  | S  | * | 1/2017  | Fizer           | ..... | D26/138    |

(\*\*) Term: **15 Years**

(21) Appl. No.: **35/502,321**

(22) Filed: **Oct. 18, 2016**

(80) **Hague Agreement Data**

Int. Filing Date: **Oct. 18, 2016**  
Int. Reg. No.: **DM/094118**  
Int. Reg. Date: **Oct. 18, 2016**  
Int. Reg. Pub. Date: **Jan. 20, 2017**

(30) **Foreign Application Priority Data**

Apr. 25, 2016 (EM) ..... 003091503-0003

(51) **LOC (11) Cl.** ..... **26-03**

(52) **U.S. Cl.**  
USPC ..... **D26/87**

(58) **Field of Classification Search**  
USPC ..... D26/63, 67-72, 92  
CPC .. F21S 8/033; F21S 8/035; F21S 8/036; F21S 8/037; F21S 8/043; F21S 8/046; F21S 8/06; F21S 8/061; F21S 8/063; F21S 8/065; F21S 8/088; F21V 5/007; F21V 17/107; F21V 21/30

See application file for complete search history.

(Continued)

*Primary Examiner* — Darlington Ly

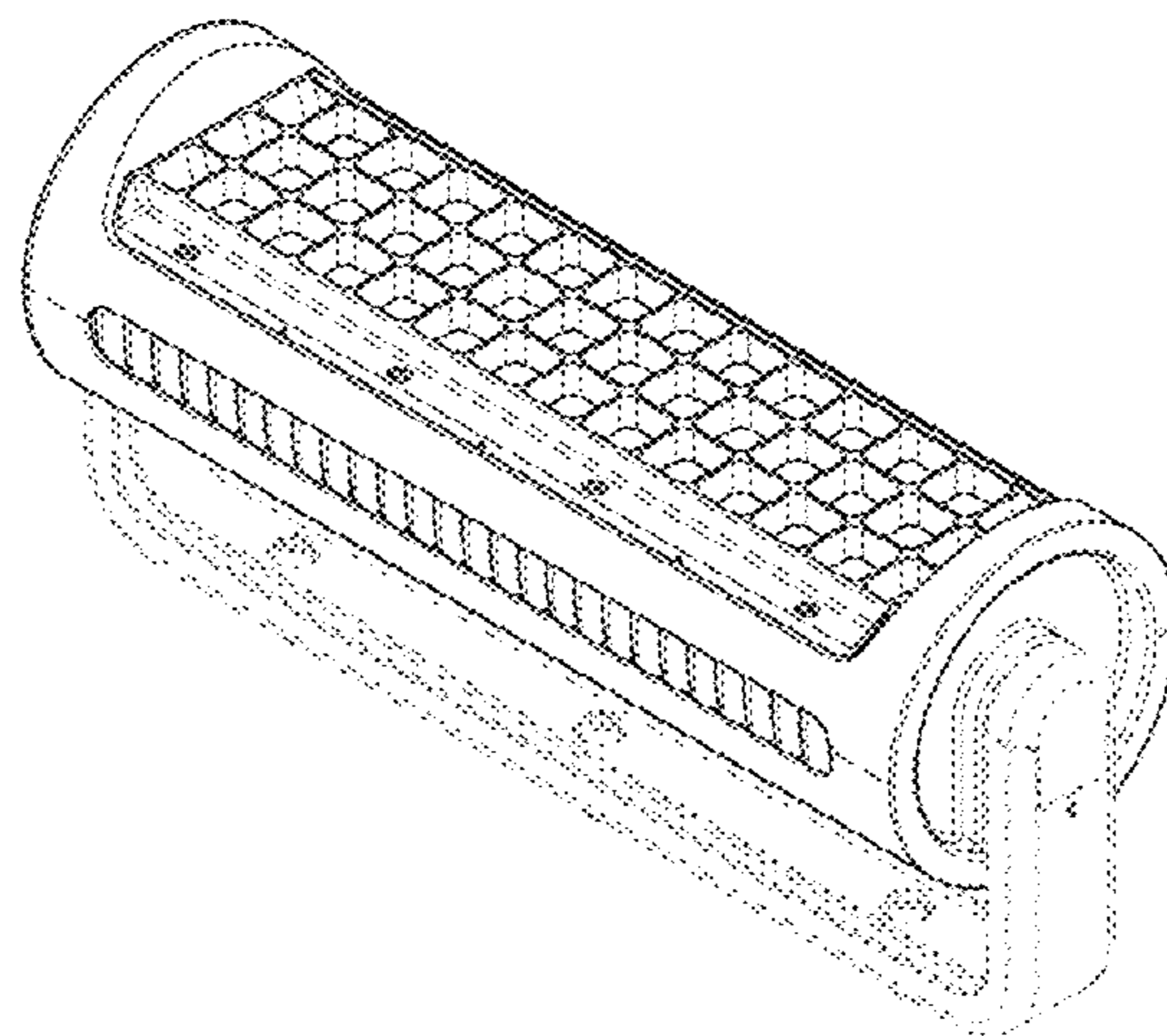
(57) **CLAIM**

The ornamental design for a public lighting fixture, as shown and described.

**DESCRIPTION**

1. Public lighting fixture  
1.1 is a top, front, and right side perspective view of a public lighting fixture showing our new design;  
1.2 is a front elevational view thereof;  
1.3 is a rear elevational view thereof;  
1.4 is a right side elevational view thereof;  
1.5 is a left side elevational view thereof;  
1.6 is a top plan view thereof; and  
1.7 is a bottom plan view thereof.  
The broken lines in the reproductions illustrate portions of the public lighting fixture that form no part of the claimed design.

**1 Claim, 7 Drawing Sheets**



(56)

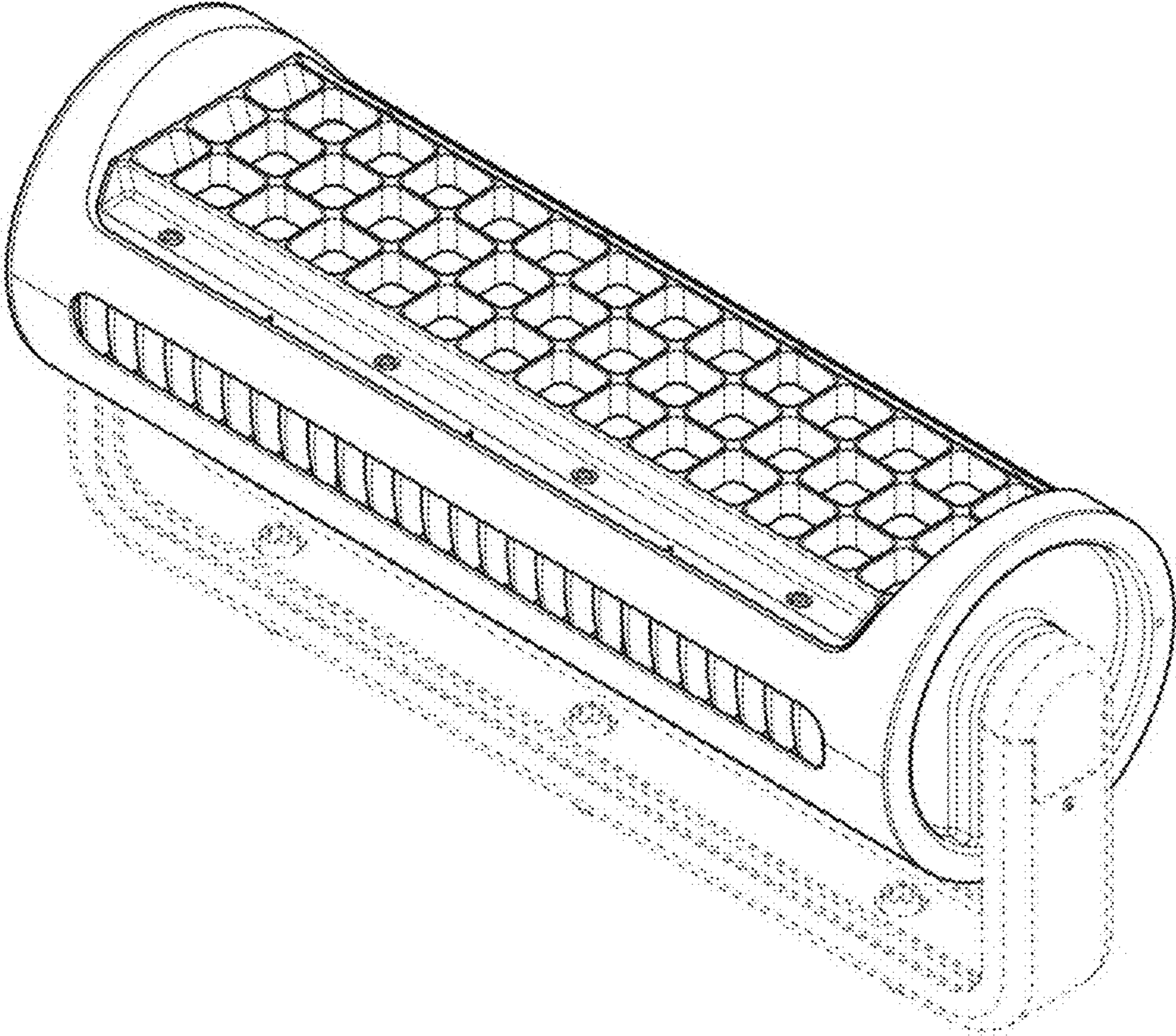
**References Cited**

U.S. PATENT DOCUMENTS

|              |      |         |          |       |             |
|--------------|------|---------|----------|-------|-------------|
| D785,219     | S *  | 4/2017  | Swai     | ..... | D26/63      |
| D785,220     | S *  | 4/2017  | Swai     | ..... | D26/63      |
| D796,107     | S *  | 8/2017  | Boorum   | ..... | D26/87      |
| D796,108     | S *  | 8/2017  | Boorum   | ..... | D26/87      |
| D800,367     | S *  | 10/2017 | Ladnier  | ..... | D26/76      |
| D800,952     | S *  | 10/2017 | Shundong | ..... | D26/93      |
| D805,241     | S *  | 12/2017 | Fletcher | ..... | D26/118     |
| 2005/0117333 | A1 * | 6/2005  | Yoshida  | ..... | F21S 8/033  |
|              |      |         |          |       | 362/147     |
| 2010/0254148 | A1 * | 10/2010 | Huang    | ..... | F21V 15/013 |
|              |      |         |          |       | 362/373     |
| 2011/0051407 | A1 * | 3/2011  | St. Ives | ..... | F21V 15/015 |
|              |      |         |          |       | 362/225     |
| 2011/0141722 | A1 * | 6/2011  | Acampora | ..... | F21V 3/00   |
|              |      |         |          |       | 362/218     |
| 2013/0271977 | A1 * | 10/2013 | Ronen    | ..... | F21V 15/013 |
|              |      |         |          |       | 362/235     |

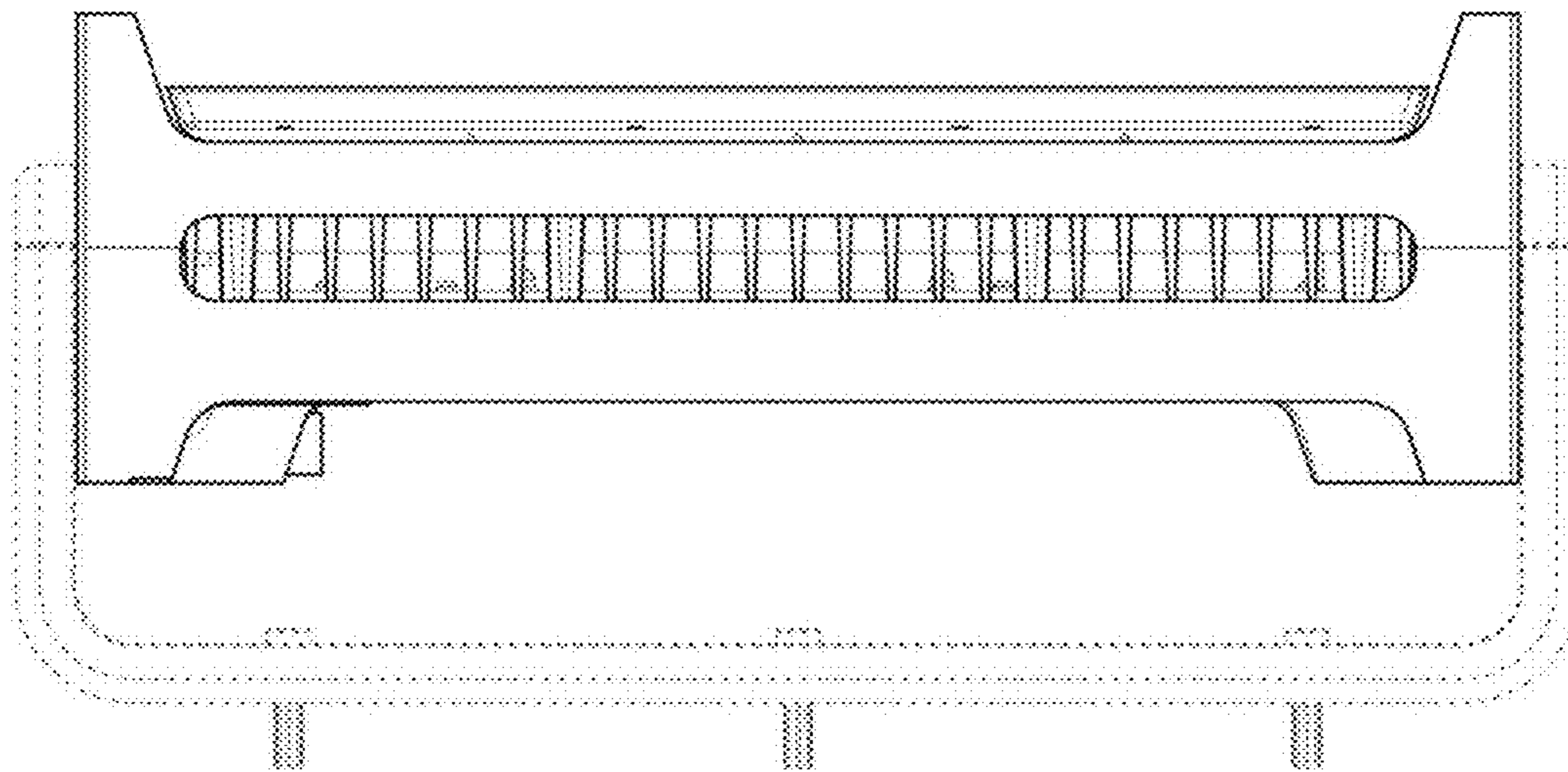
\* cited by examiner

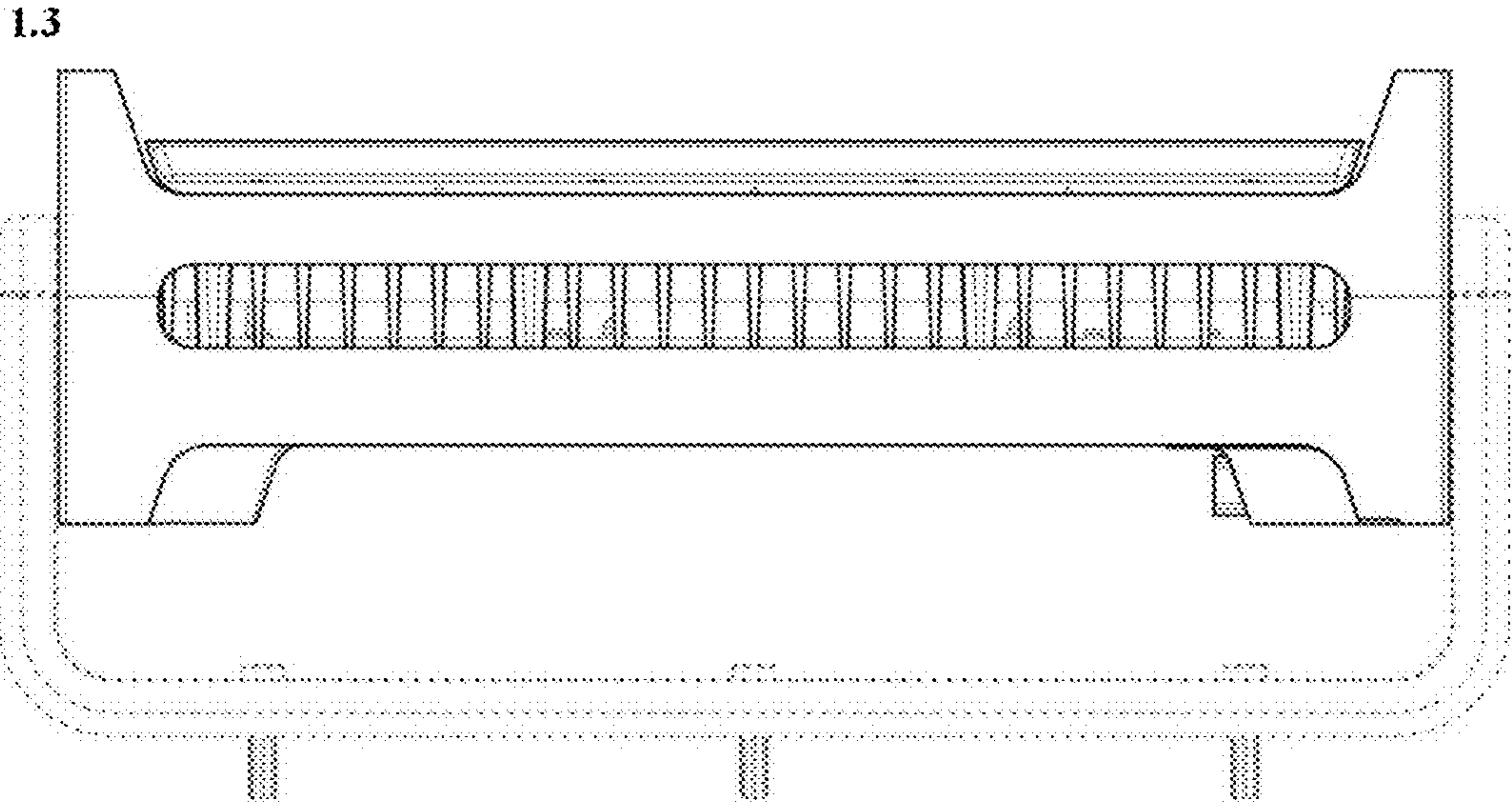
1.1



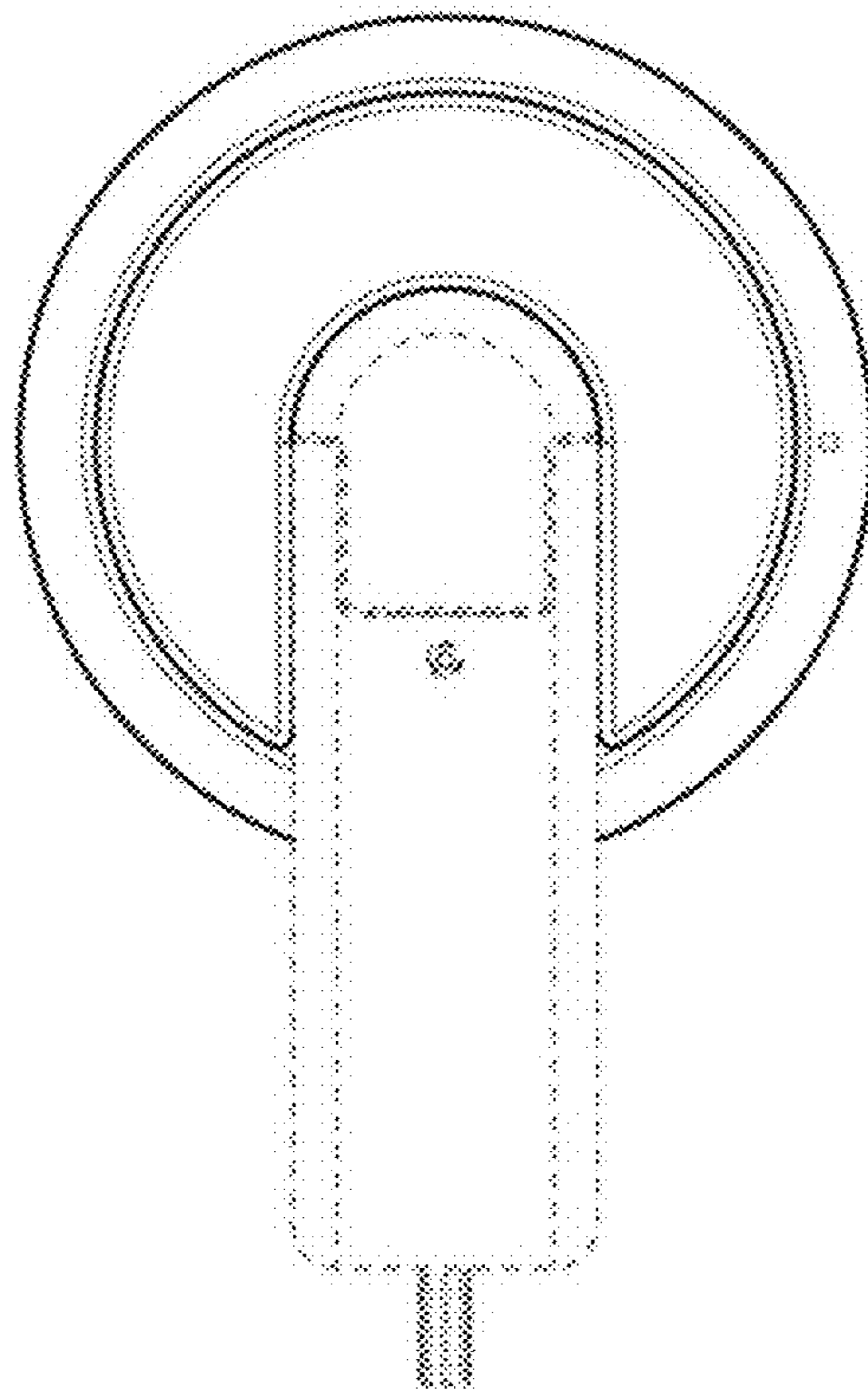


1.2

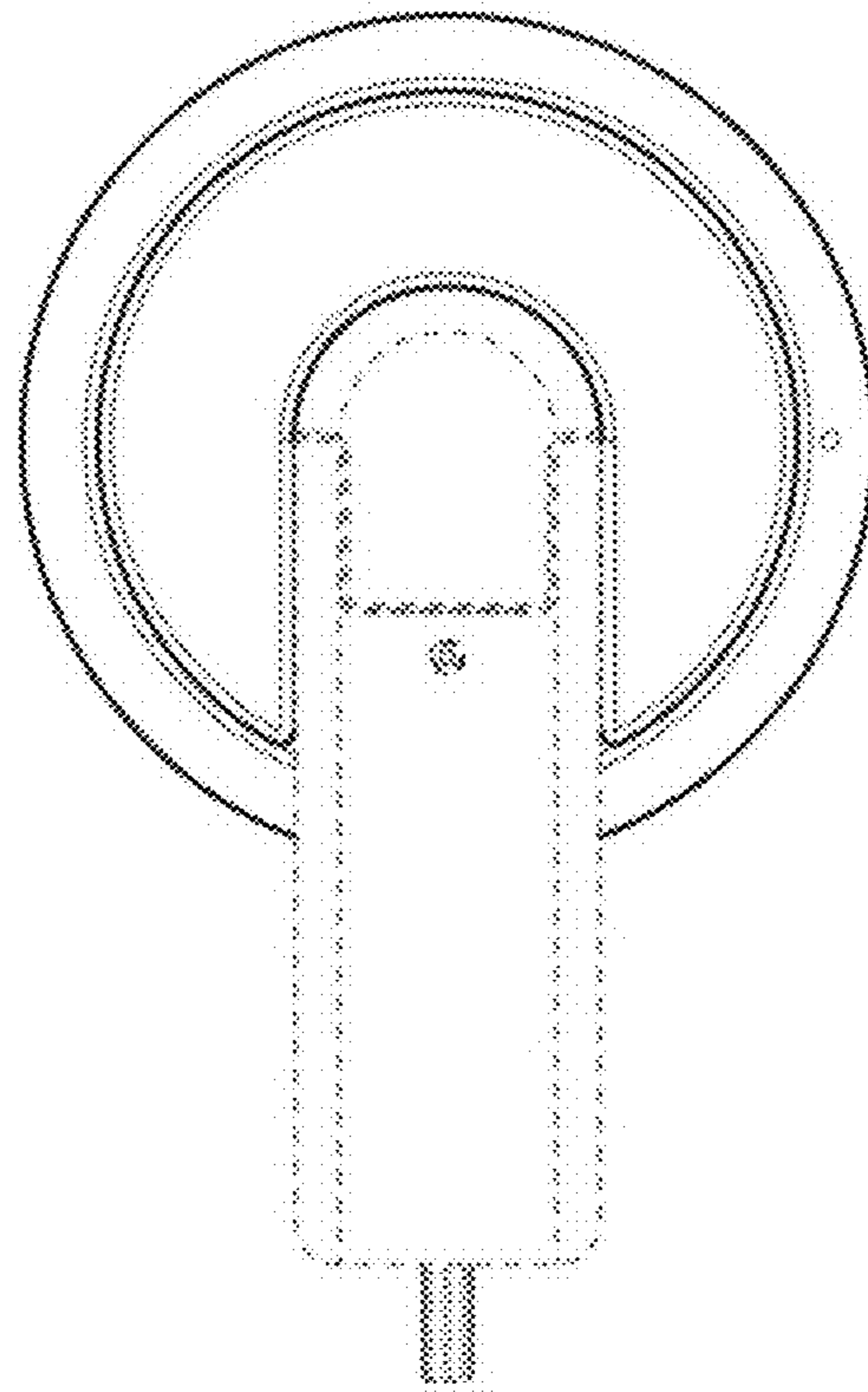




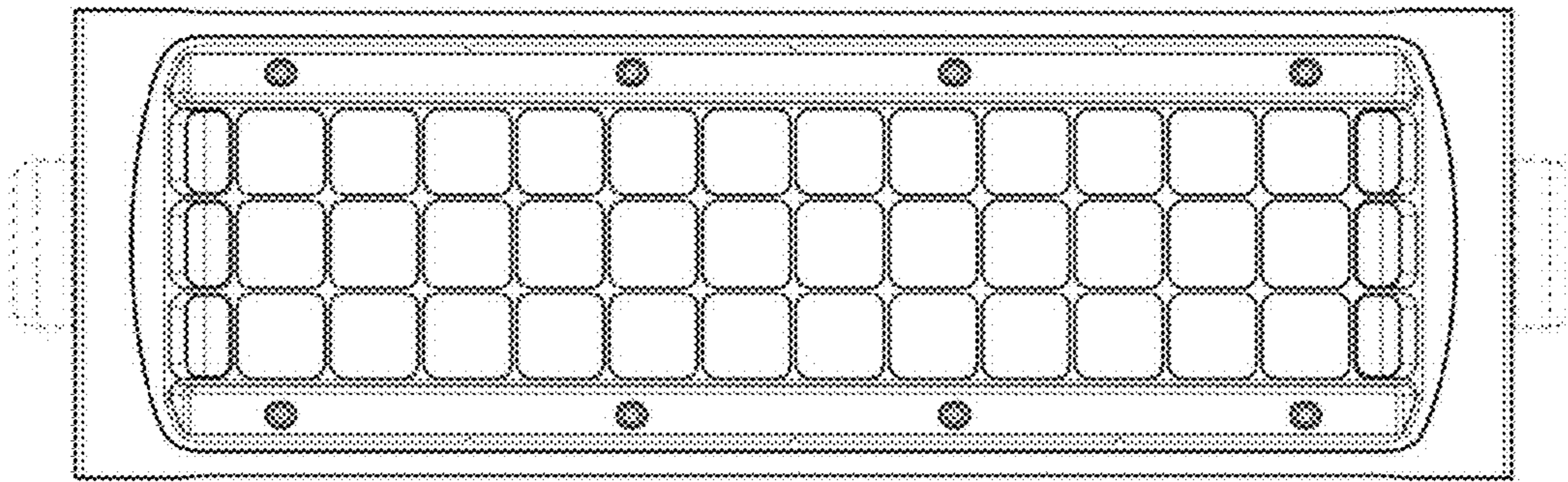
1.4



1.5



1.6





1.7

