



US00D822259S

(12) **United States Design Patent**  
**Fang**

(10) **Patent No.:** **US D822,259 S**

(45) **Date of Patent:** **\*\* Jul. 3, 2018**

(54) **WALL MOUNT LIGHT**

(71) Applicant: **Ningbo Utec Electric Co. Ltd.**, Yuyao, Zhejiang (CN)

(72) Inventor: **Yi Fang**, Zhejiang (CN)

(73) Assignee: **Ningbo Utec Electric Co. Ltd.** (CN)

(\*\*) Term: **15 Years**

(21) Appl. No.: **29/566,173**

(22) Filed: **May 27, 2016**

(51) **LOC (11) Cl.** ..... **26-03**

(52) **U.S. Cl.**  
USPC ..... **D26/87**

(58) **Field of Classification Search**  
USPC ..... D26/72, 85, 87, 92, 118  
CPC .... F21S 8/03; F21S 8/033; F21S 8/035; F21S 8/036; F21S 8/037; F21V 7/041; F21V 7/043

See application file for complete search history.

(56) **References Cited**

**U.S. PATENT DOCUMENTS**

D62,763 S \* 7/1923 Villaret ..... D26/85  
D164,507 S \* 9/1951 McCann ..... D26/76

D439,001 S \* 3/2001 Pan ..... D26/85  
D488,580 S \* 4/2004 Hsu ..... D26/92  
D713,588 S \* 9/2014 Clark ..... D26/85  
D713,590 S \* 9/2014 Orozco ..... D26/85  
D719,290 S \* 12/2014 Fritz ..... D26/87  
D722,400 S \* 2/2015 Gilbert ..... D26/86  
D726,952 S \* 4/2015 Kitts ..... D26/85  
D754,908 S \* 4/2016 Orozco ..... D26/85  
D782,098 S \* 3/2017 Orozco ..... D26/85

\* cited by examiner

*Primary Examiner* — Clare E Heflin

(74) *Attorney, Agent, or Firm* — Raymond Sun

(57) **CLAIM**

The ornamental design for a wall mount light, as shown and described.

**DESCRIPTION**

FIG. 1 is a front perspective view of a wall mounted light showing my new design.

FIG. 2 is a top view thereof.

FIG. 3 is a bottom view thereof.

FIG. 4 is the right view thereof.

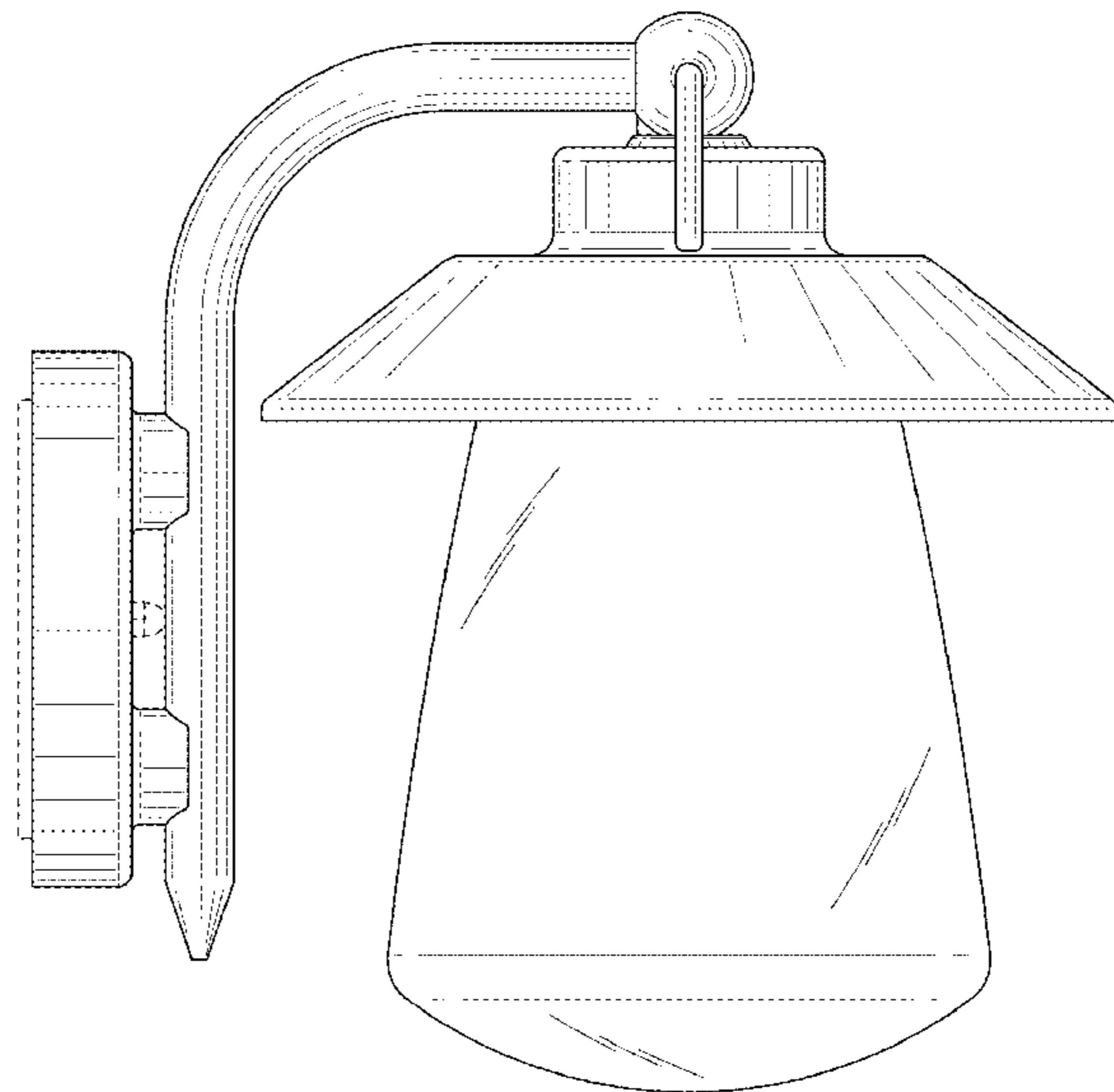
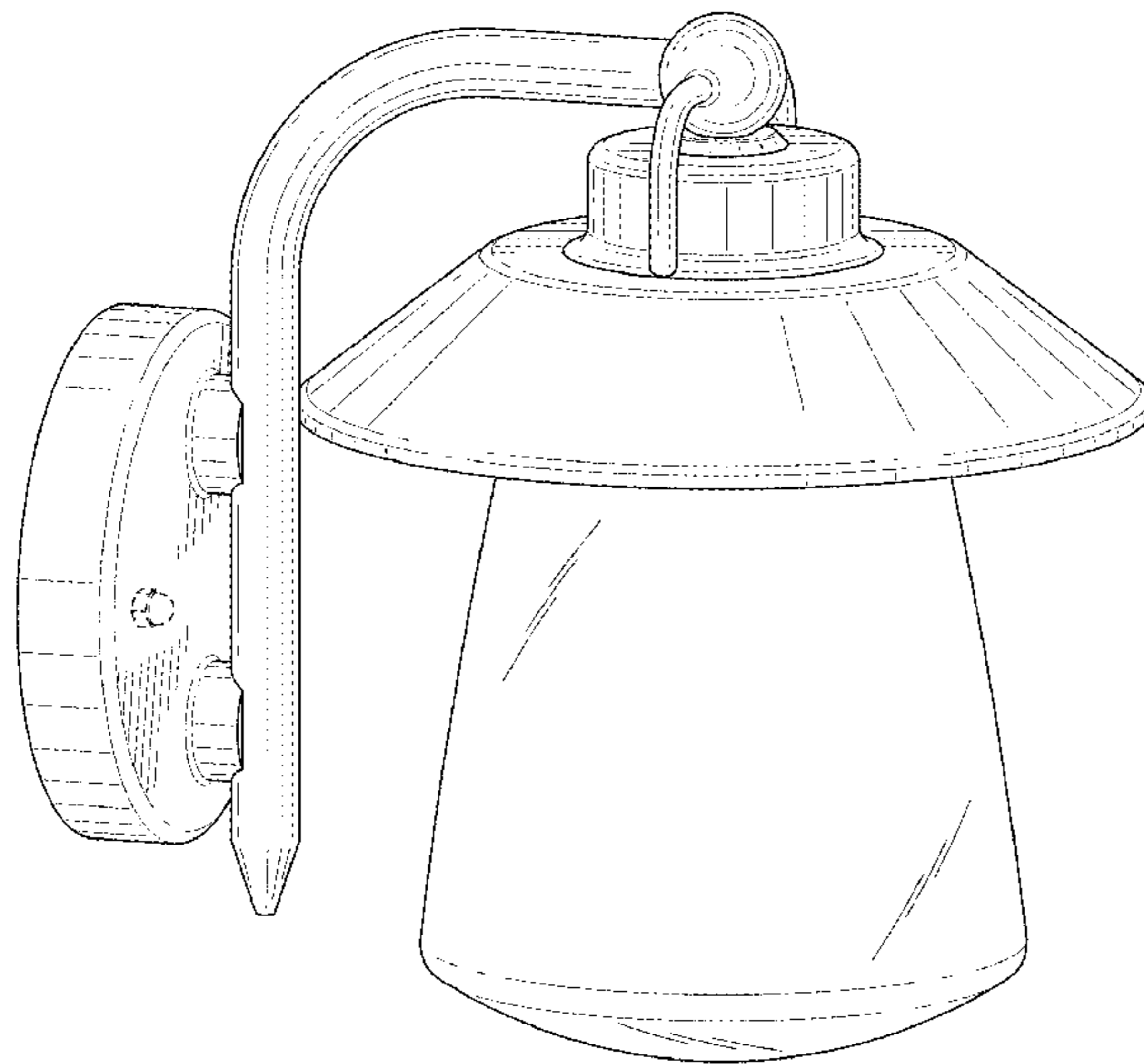
FIG. 5 is a left view thereof.

FIG. 6 is a front view thereof; and,

FIG. 7 is a rear view thereof.

The broken lines shown represent unclaimed subject matter and form no part of the claimed design.

**1 Claim, 7 Drawing Sheets**



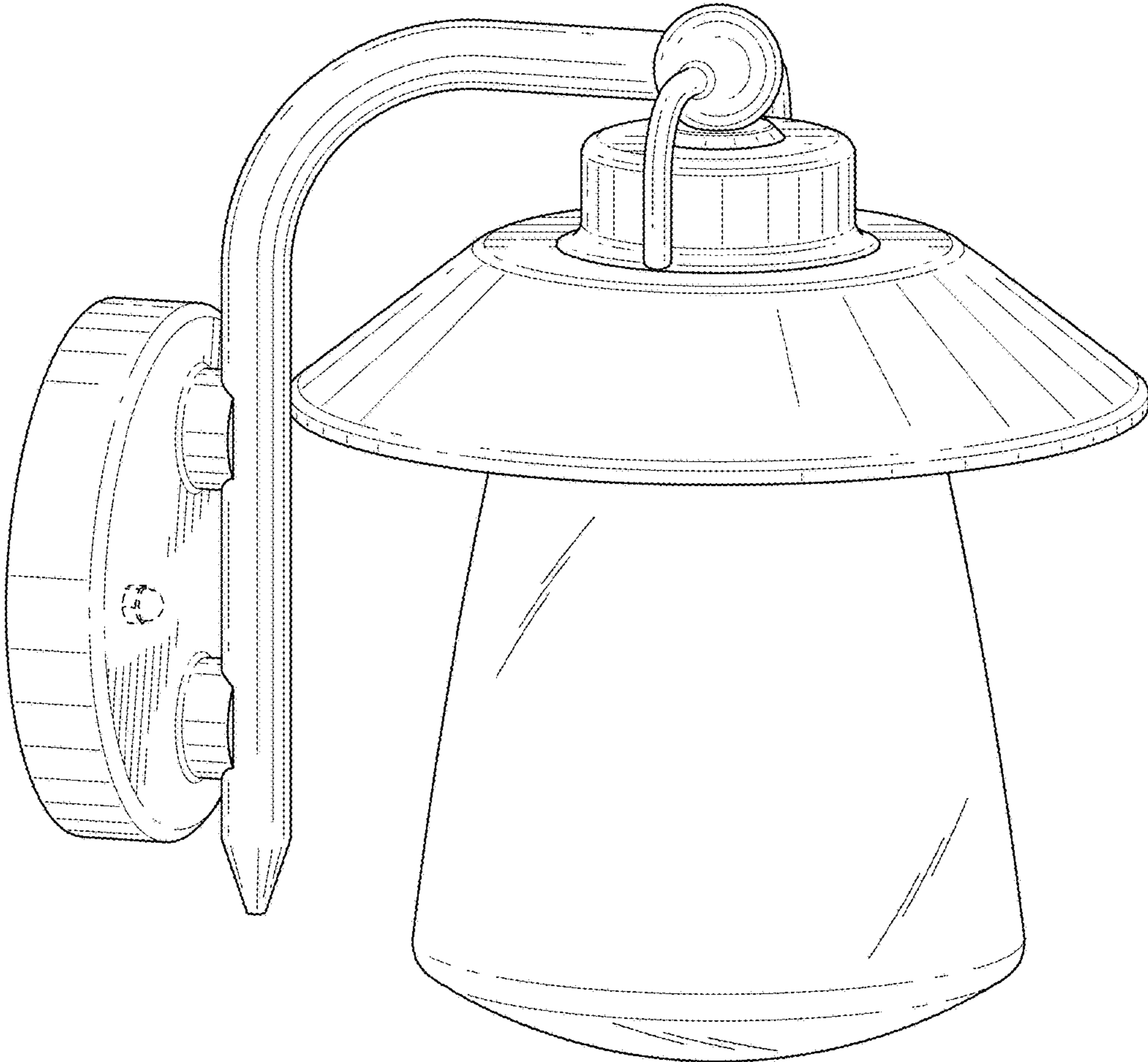


FIG. 1

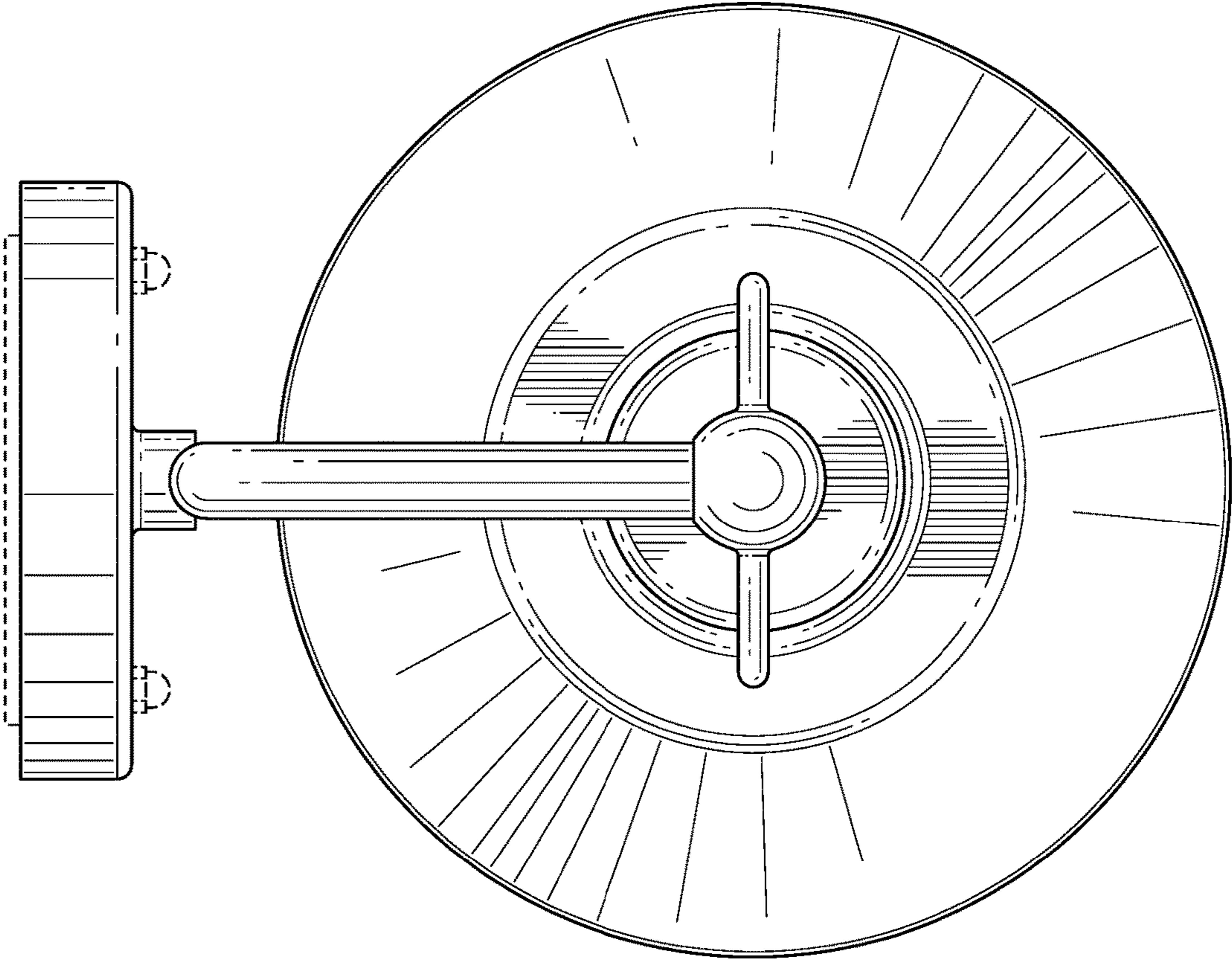


FIG.2

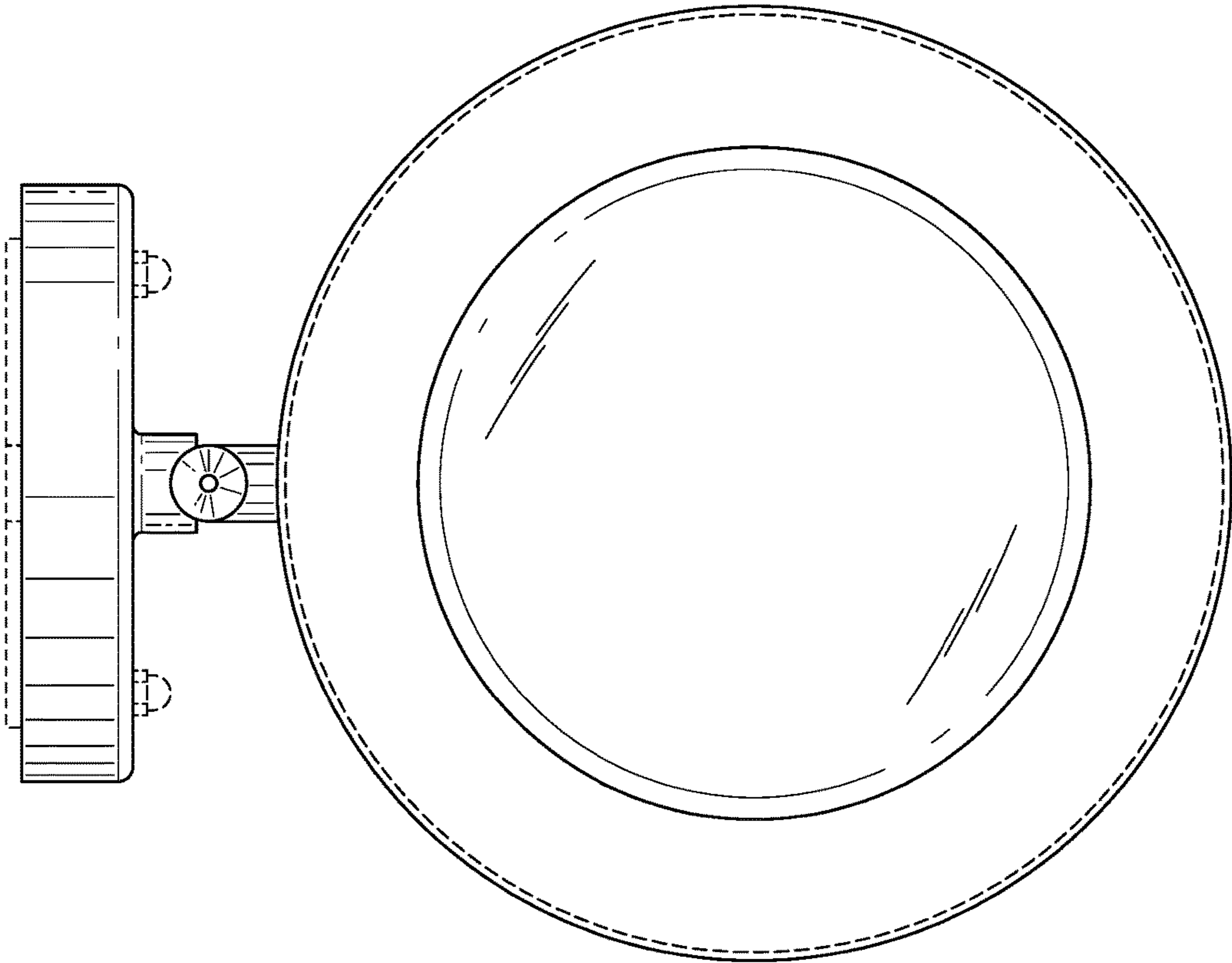


FIG. 3

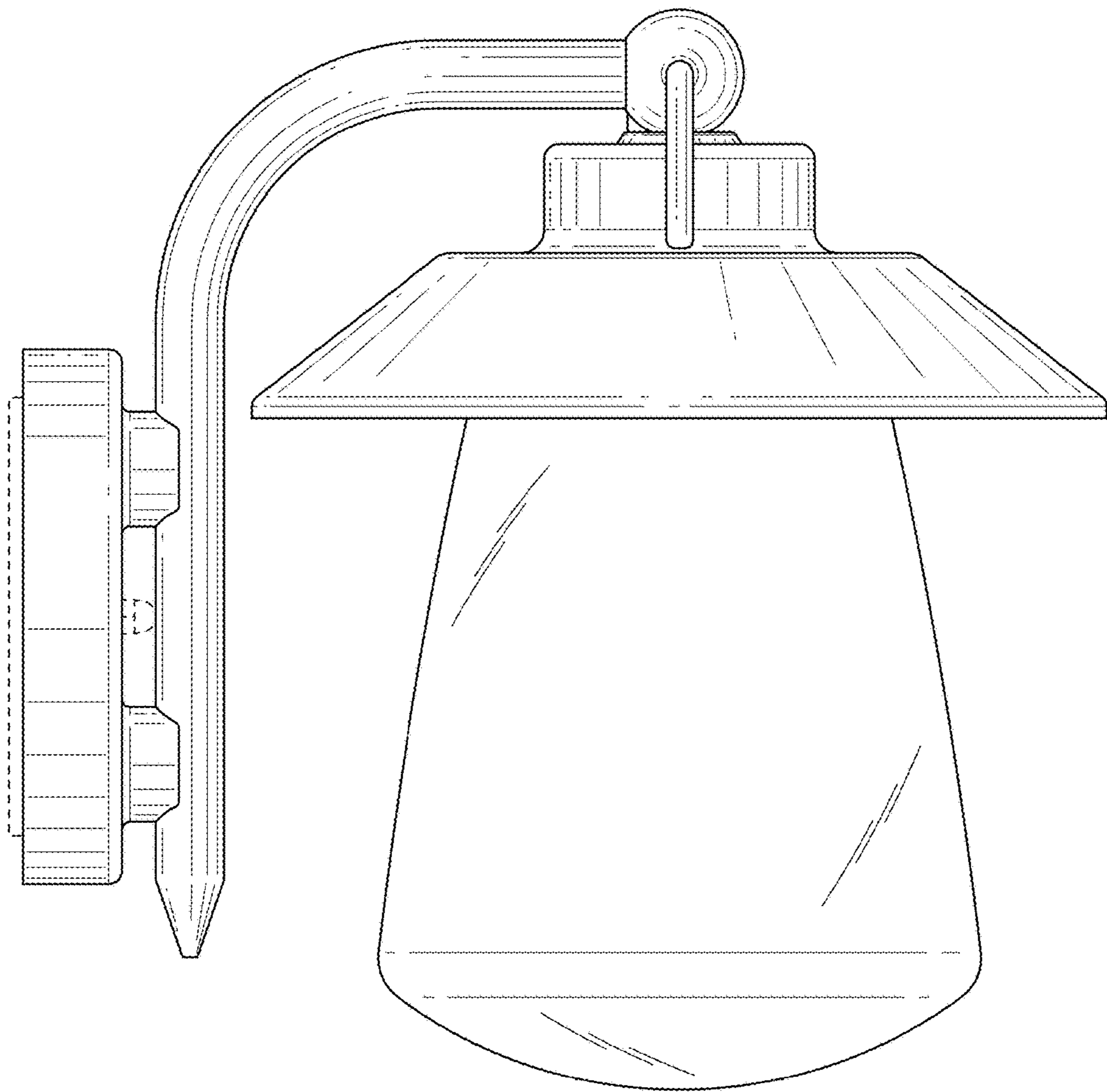


FIG. 4



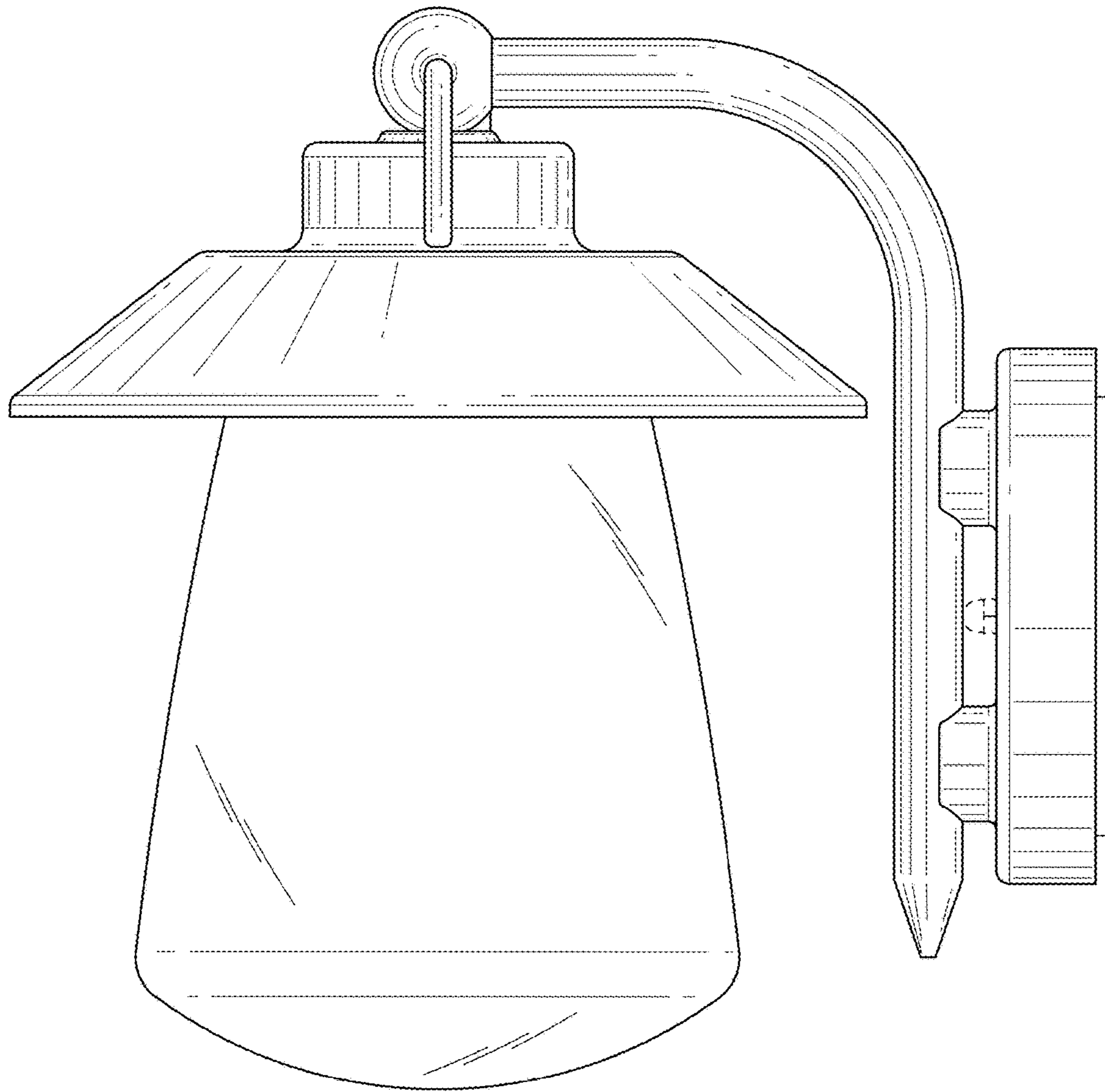


FIG. 5

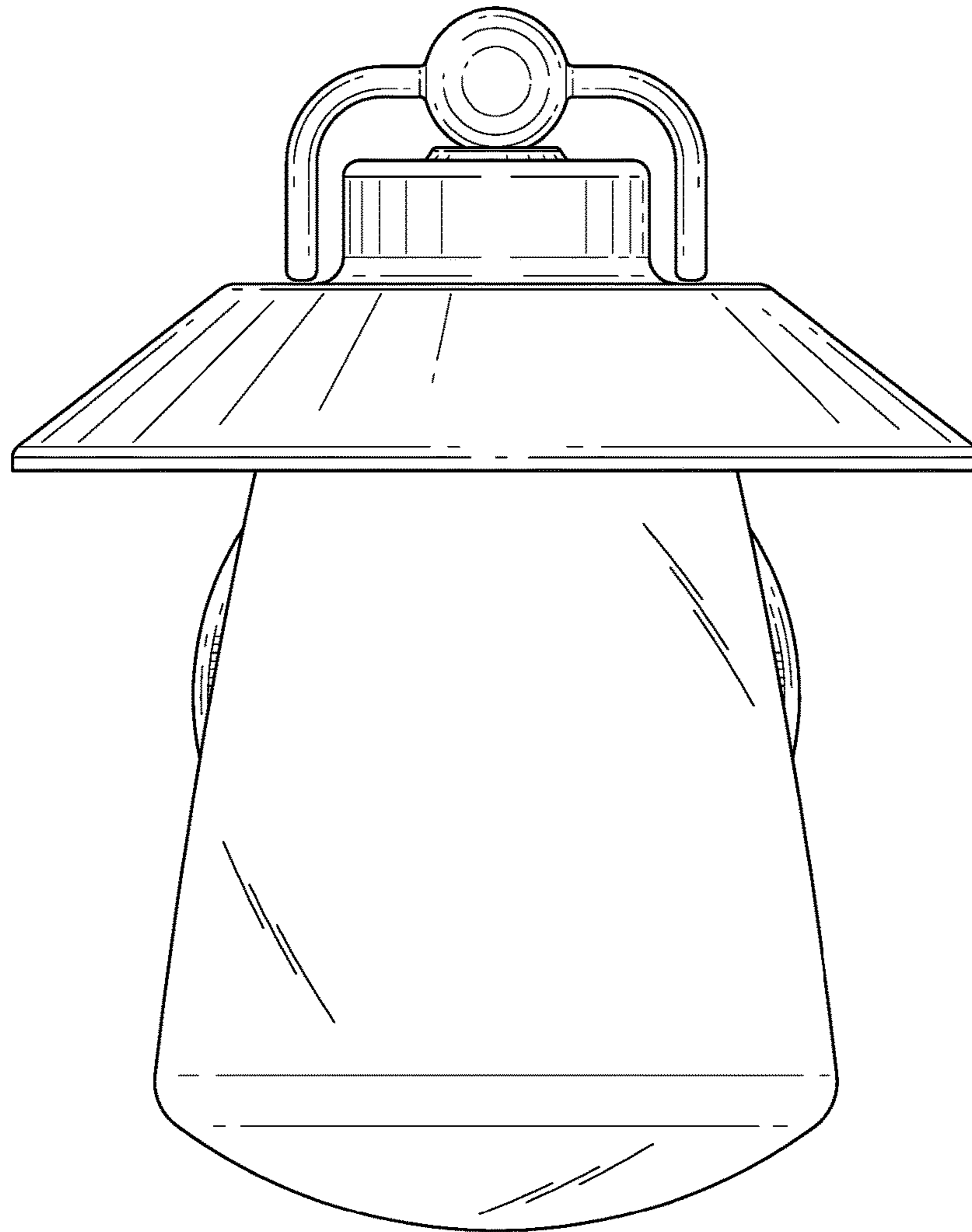


FIG. 6

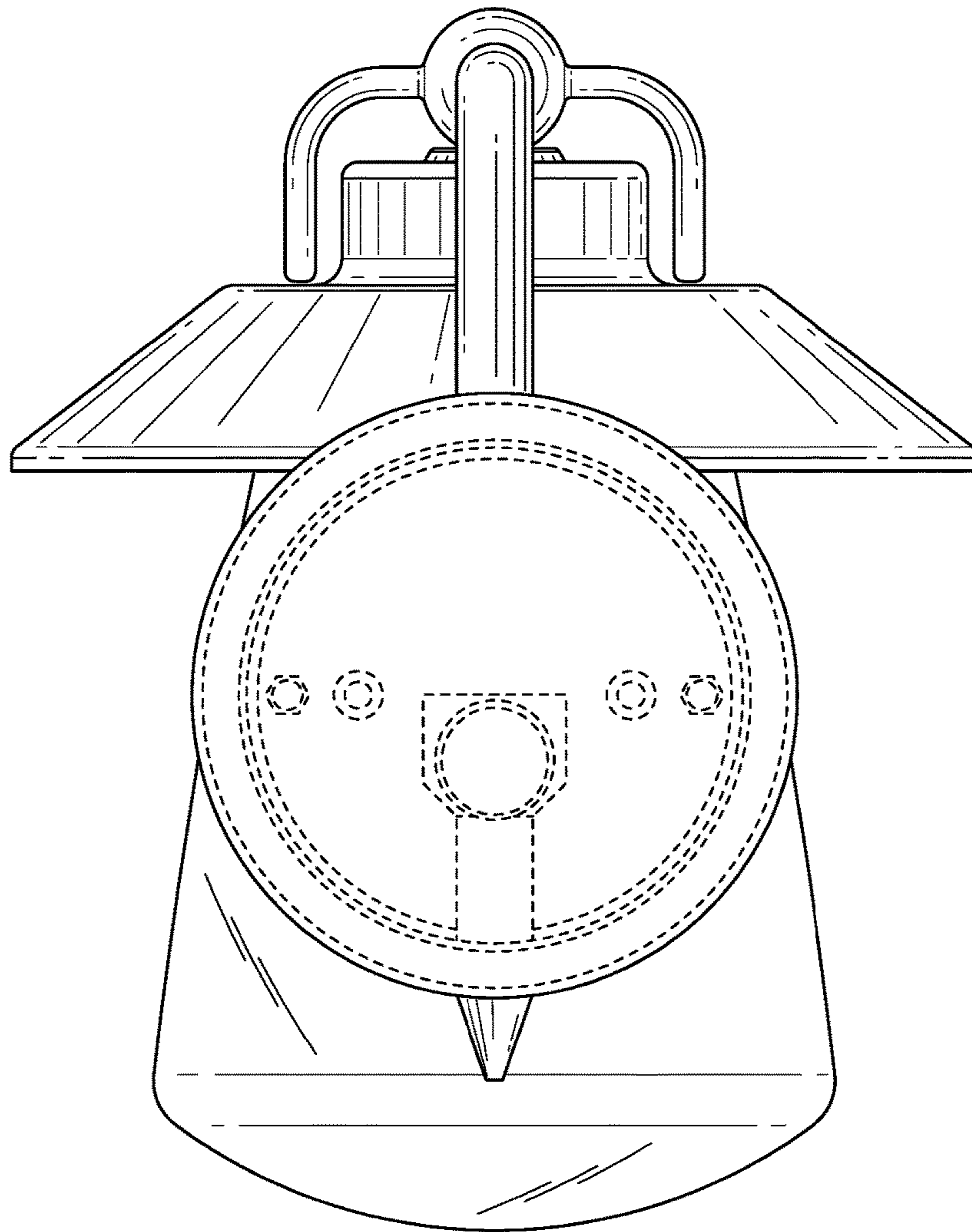


FIG. 7