



US00D822258S

(12) **United States Design Patent** (10) **Patent No.:** **US D822,258 S**
Hendifar et al. (45) **Date of Patent:** **** Jul. 3, 2018**

(54) **LIGHT FIXTURE**
 (71) Applicant: **APPARATUS, LLC**, New York, NY
 (US)
 (72) Inventors: **Gabriel Hendifar**, Rhinebeck, NY
 (US); **Jeremy R. Anderson**, Rhinebeck,
 NY (US)
 (73) Assignee: **APPARATUS LLC**, New York, NY
 (US)

D788,348 S * 5/2017 Hendifar D26/84
 D799,098 S * 10/2017 Hendifar D26/88
 D804,699 S * 12/2017 Hendifar D26/87
 D804,701 S * 12/2017 Hendifar D26/88

* cited by examiner

Primary Examiner — Brian N Vinson
 (74) *Attorney, Agent, or Firm* — Gottlieb, Rackman &
 Reisman, P.C.

(**) Term: **15 Years**

(57) **CLAIM**

(21) Appl. No.: **29/598,325**

The ornamental design for a light fixture, as shown and described.

(22) Filed: **Mar. 24, 2017**

(51) **LOC (11) Cl.** **26-03**

(52) **U.S. Cl.**
USPC **D26/85**

DESCRIPTION

(58) **Field of Classification Search**
 USPC D26/76, 81, 83, 84, 85, 86, 87, 88, 90,
 D26/91, 118
 CPC F21S 8/04; F21S 8/043; F21S 8/046; F21S
 8/06; F21S 8/061; F21S 8/063; F21S
 8/065
 See application file for complete search history.

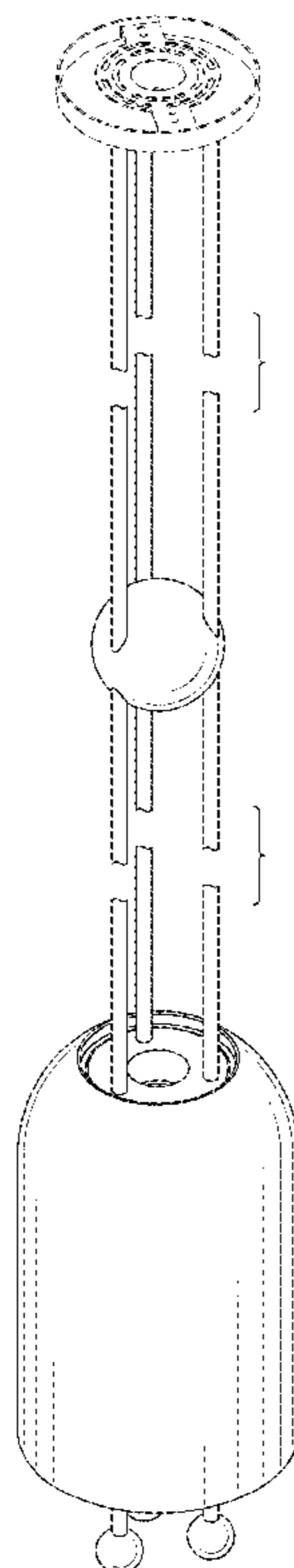
FIG. 1 is a perspective view of the light fixture showing my new design;
 FIG. 2 is a right side elevational view thereof, the left side elevational view being a mirror image;
 FIG. 3 a front elevational view thereof, the rear elevational view being a mirror image;
 FIG. 4 is a top plan view thereof; and,
 FIG. 5 is a bottom plan view thereof.
 The areas between the break lines in FIGS. 1-3 form no part of the claimed design. The broken line disclosure represents portions of the fixture which forms no part of the claimed design.

(56) **References Cited**

U.S. PATENT DOCUMENTS

D405,210 S * 2/1999 Egleston D26/73
 D436,211 S * 1/2001 Neeld D26/85

1 Claim, 4 Drawing Sheets



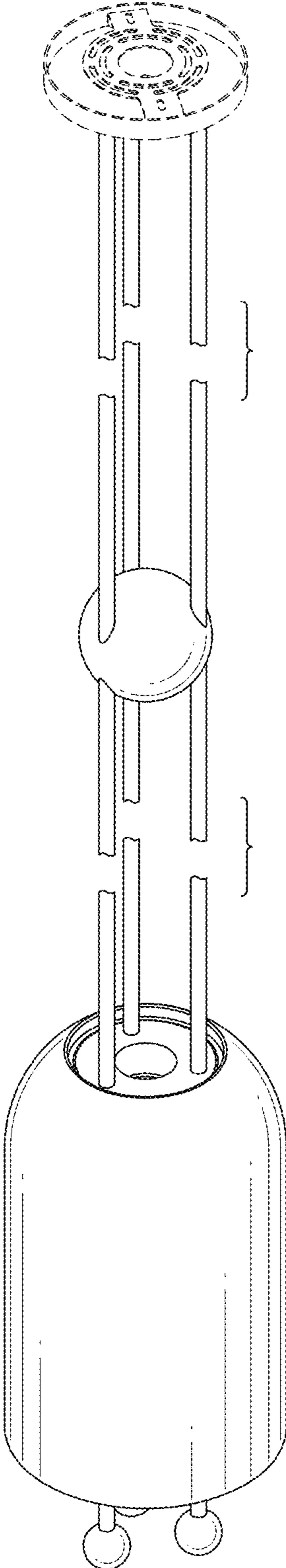


FIG. 1

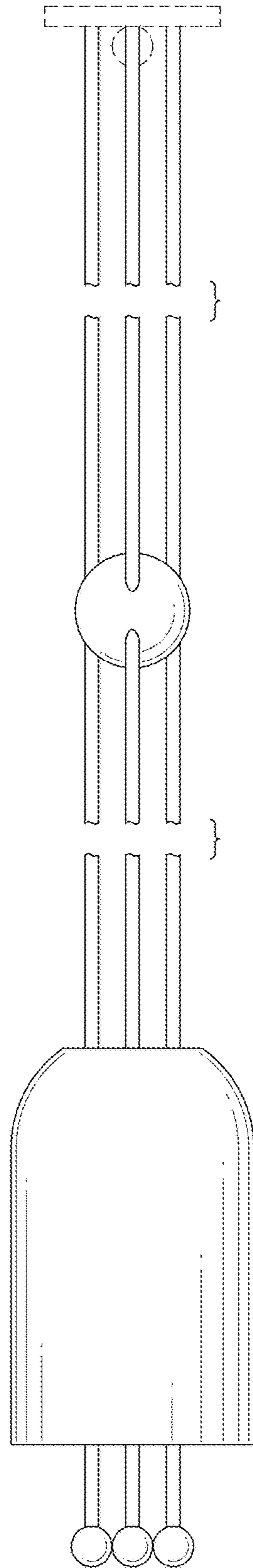


FIG. 2

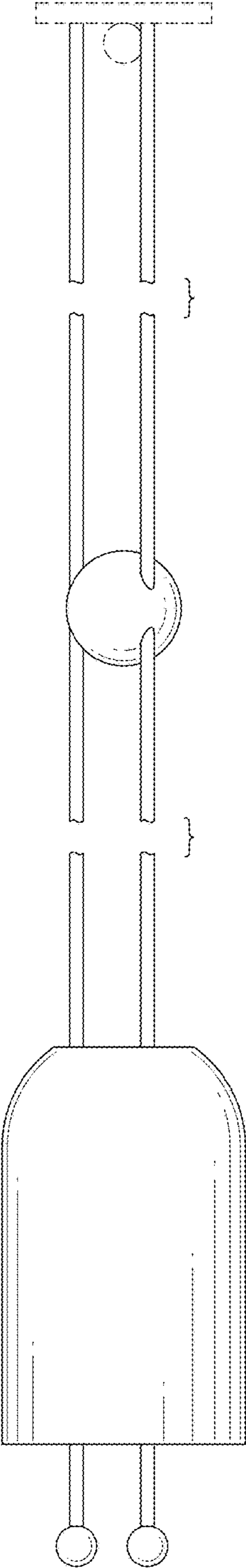


FIG. 3

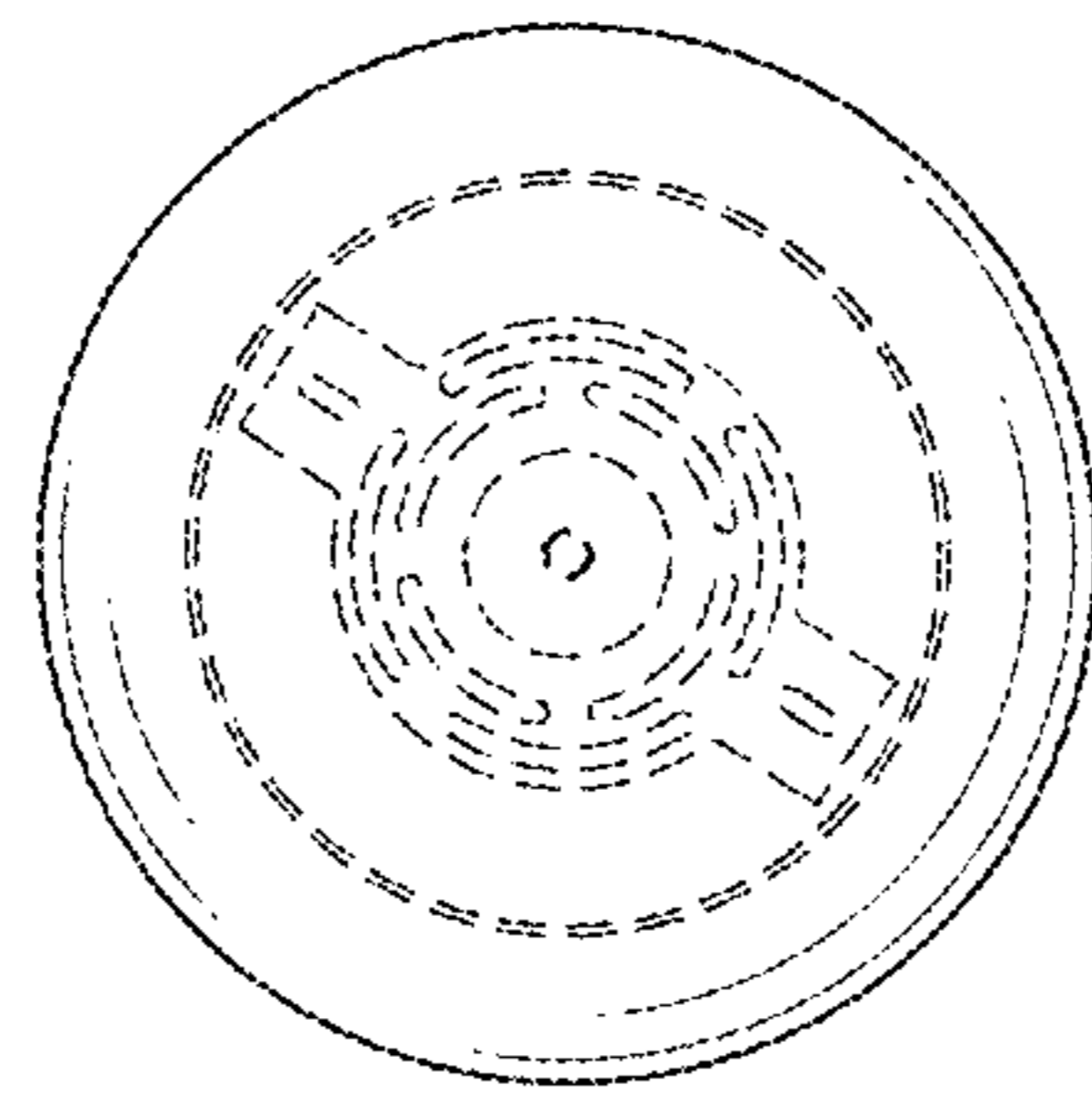


FIG. 4

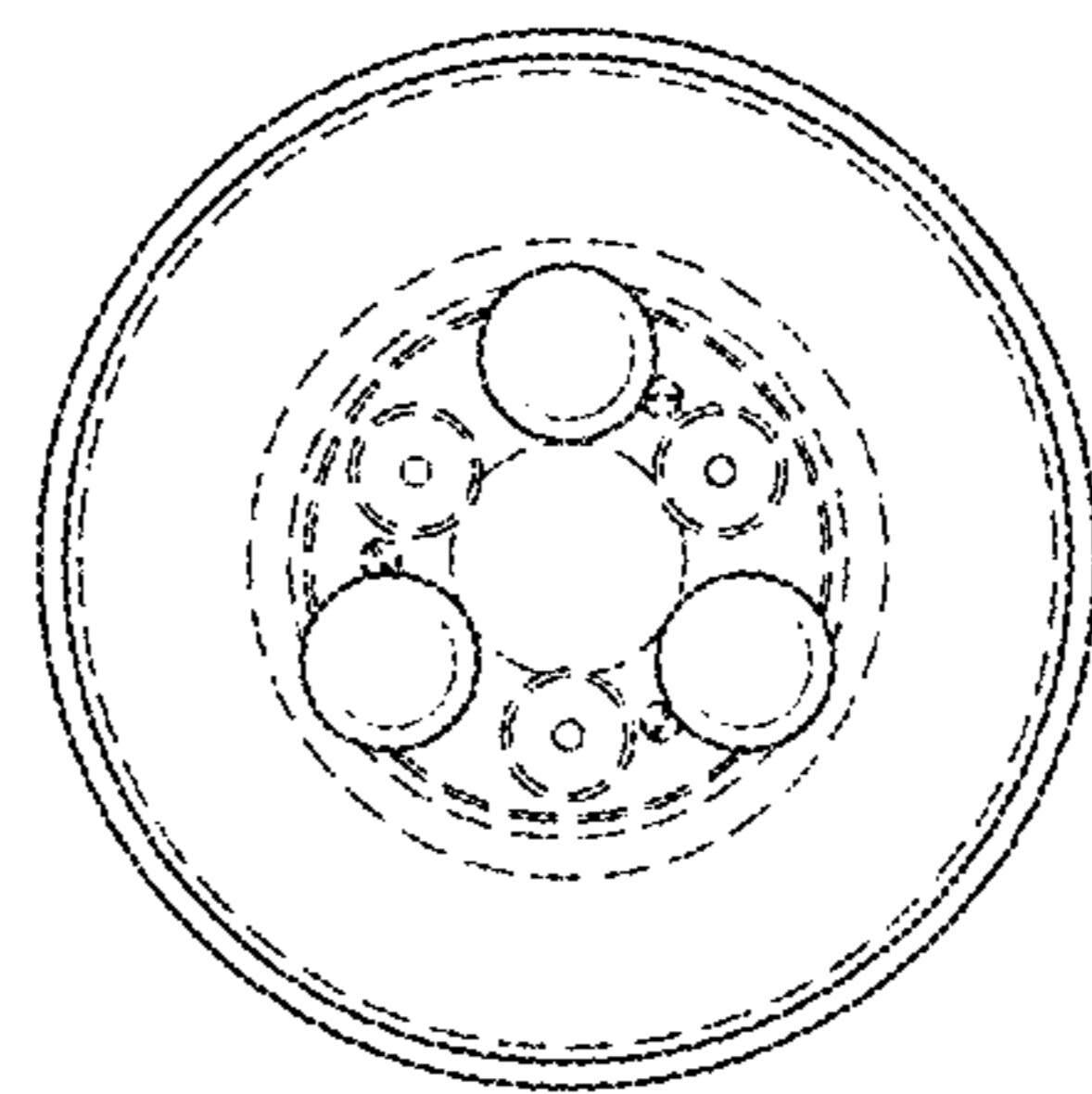


FIG. 5