



US00D822257S

(12) **United States Design Patent** (10) **Patent No.:** **US D822,257 S**
Wang et al. (45) **Date of Patent:** **** Jul. 3, 2018**

(54) **SPOT LED LAMP**

(56) **References Cited**

(71) Applicant: **PHILIPS LIGHTING HOLDING B.V.**, Eindhoven (NL)

U.S. PATENT DOCUMENTS

(72) Inventors: **Bao Wang**, Nanjing (CN); **Huan Huang**, Shanghai (CN); **Kay Yk Yin**, Shanghai (CN); **Li Cheng**, Shanghai (CN)

D119,822 S *	4/1940	Sheerer	D26/134
D163,812 S *	7/1951	Mehr	D26/63
3,705,302 A *	12/1972	Judge	F21S 8/06 362/222
D238,603 S *	1/1976	Armstrong et al.	D26/130
D242,943 S *	1/1977	Lazerson	D26/88
D257,065 S *	9/1980	Silvestris	D26/61
D417,746 S *	12/1999	Pahl	D26/118
D417,747 S *	12/1999	Pahl	D26/118
6,135,814 A *	10/2000	Fischer	F21V 21/03 439/529
6,874,914 B2 *	4/2005	Desanto	F21S 8/04 362/256
7,097,332 B2 *	8/2006	Vamberi	F21V 15/01 362/147
7,722,227 B2 *	5/2010	Zhang	F21S 8/026 362/147

(73) Assignee: **PHILIPS LIGHTING HOLDING B.V.**, Eindhoven (NL)

(**) Term: **15 Years**

(21) Appl. No.: **35/501,016**

(22) Filed: **Nov. 30, 2015**

(80) **Hague Agreement Data**

Int. Filing Date: **Nov. 30, 2015**
Int. Reg. No.: **DM/088563**
Int. Reg. Date: **Nov. 30, 2015**
Int. Reg. Pub. Date: **Jun. 3, 2016**

(30) **Foreign Application Priority Data**

Jul. 3, 2015 (EM) 002730721-0001

(51) **LOC (11) Cl.** **26-05**

(52) **U.S. Cl.**
USPC **D26/76; D26/118**
CPC **F21S 2/00 (2013.01)**

(58) **Field of Classification Search**
USPC D26/76-90, 113-122, 138-142;
362/23.07-23.16, 217.01-217.09, 218,
362/35.02, 260, 311.02, 555, 612-614,
362/800
CPC F21S 2/00; F21S 4/00; F21S 4/003; F21S
4/005; F21S 4/006; F21S 4/007; F21S
4/008; F21S 6/00; F21S 8/00; F21S
8/024; F21S 8/026; F21S 8/031; F21S
8/033; F21S 8/035-8/037; F21S 8/04

See application file for complete search history.

(Continued)

Primary Examiner — Richard E Chilcot

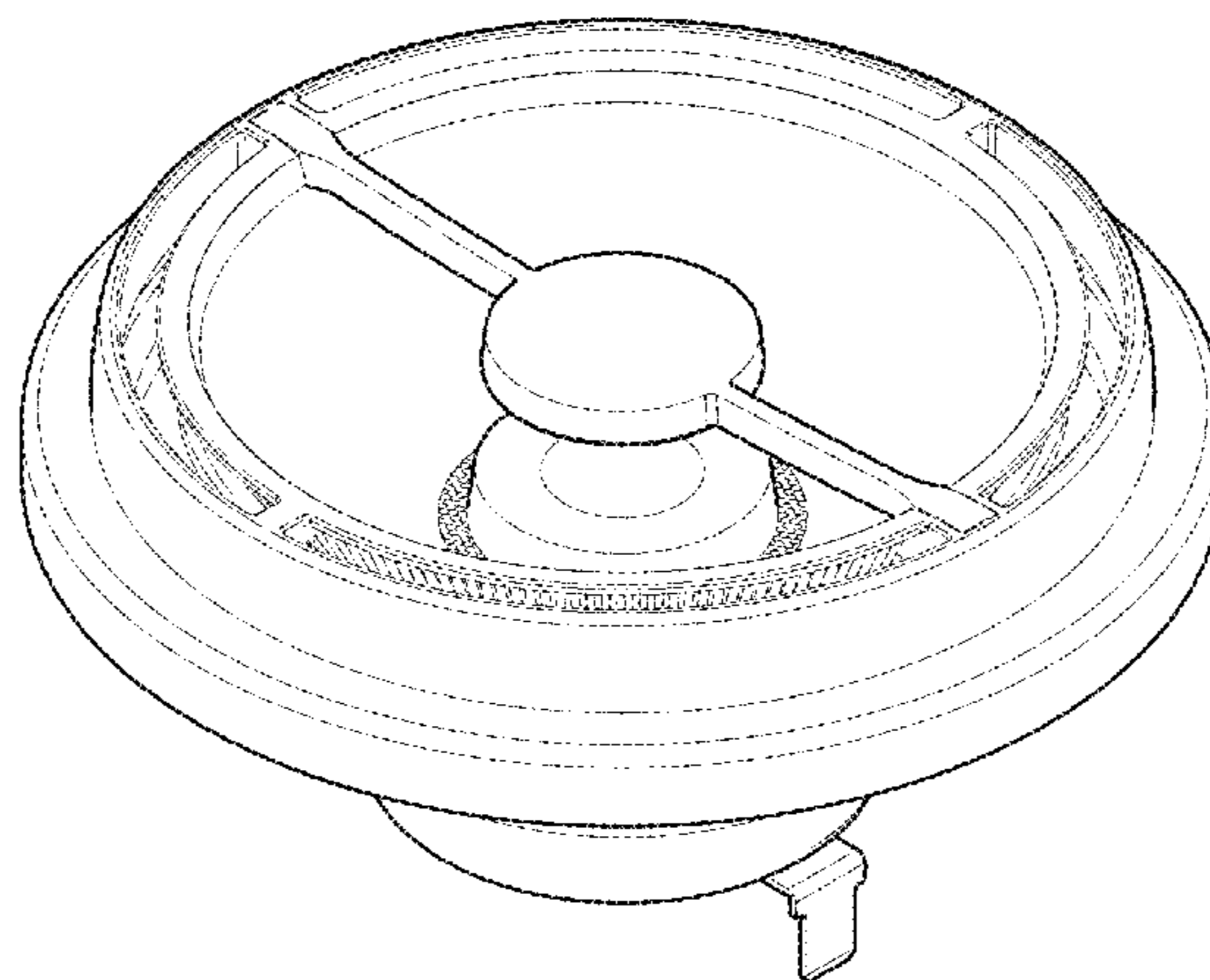
(57) **CLAIM**

The ornamental design for a spot LED lamp, as shown and described.

DESCRIPTION

1. Spot LED lamp
1.1 is a front perspective view showing of a spot LED lamp showing our new design;
1.2 is a front elevational view thereof;
1.3 is a rear elevational view thereof;
1.4 is a left side elevational view thereof;
1.5 is a right side elevational view thereof;
1.6 is a top plan view thereof;
1.7 is a bottom plan view thereof.
The dash-dot-dash broken lines shown represent the bounds of the claim and forms no part thereof and the dashed broken lines shown therein illustrate portions of the spot LED lamp that form no part of the claimed design.

1 Claim, 5 Drawing Sheets



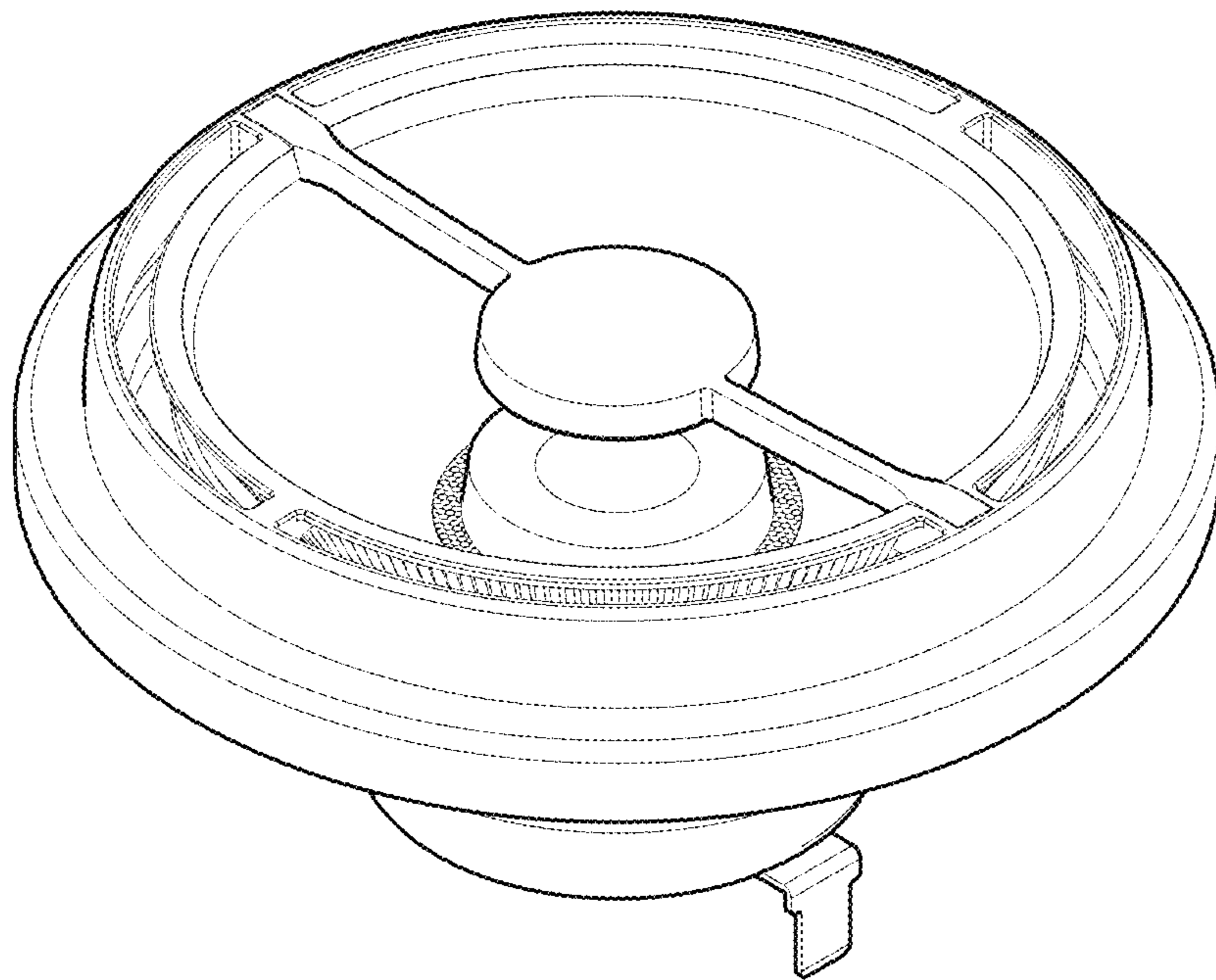
(56)

References Cited

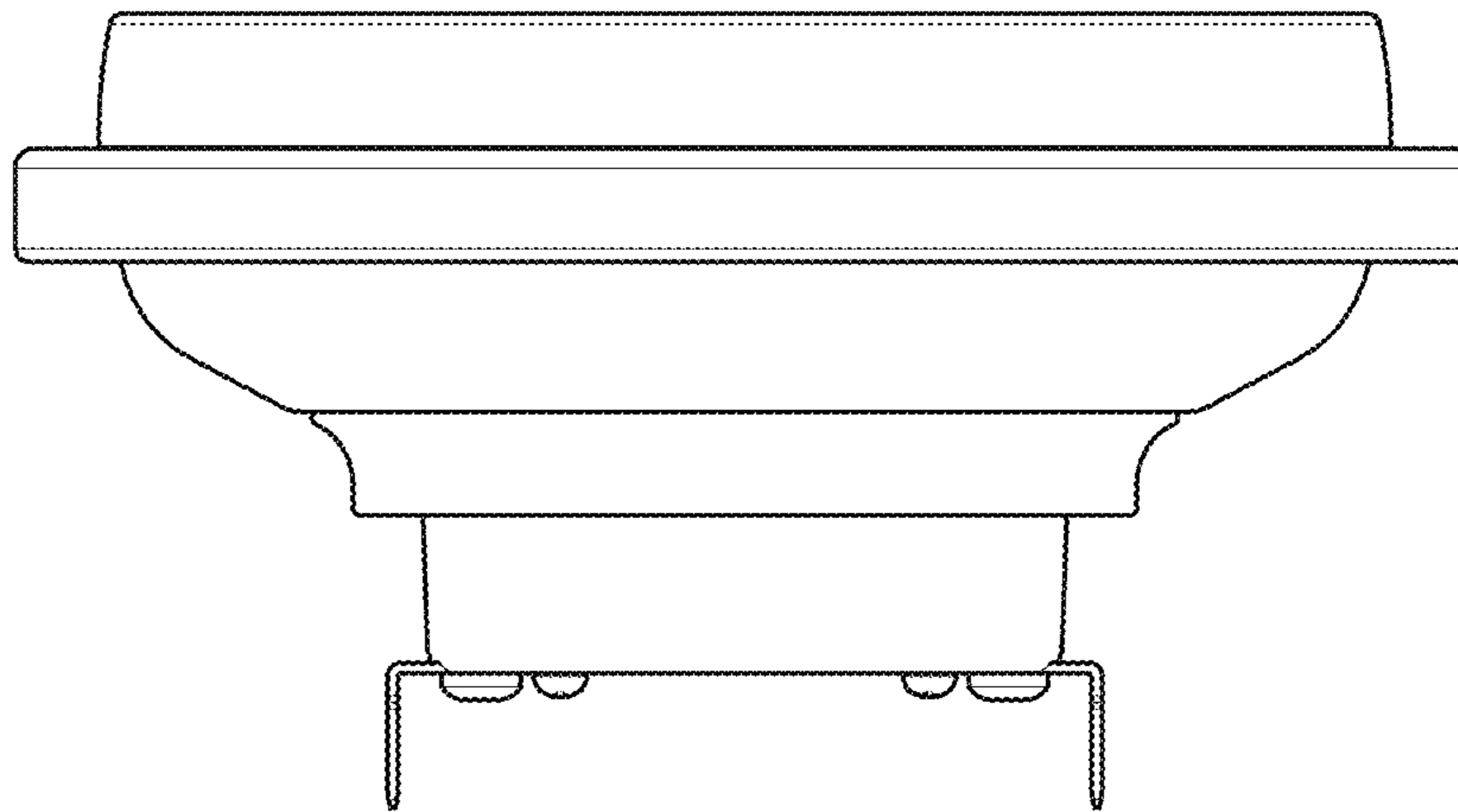
U.S. PATENT DOCUMENTS

7,753,556 B1 * 7/2010 Zhang F21S 8/06
362/249.02
D627,502 S * 11/2010 Zheng D26/72
D627,911 S * 11/2010 Mo D26/119
D627,912 S * 11/2010 Mo D26/119
D635,292 S * 3/2011 Chiang D26/88
D642,316 S * 7/2011 Zheng D26/2
D651,735 S * 1/2012 Dai D26/72
D657,088 S * 4/2012 Miro D26/85
D663,465 S * 7/2012 Couvreur D26/72
D669,623 S * 10/2012 Alverson D26/88
8,403,541 B1 * 3/2013 Rashidi F21S 8/026
257/712
D687,585 S * 8/2013 Kim D26/72
D688,405 S * 8/2013 Kim D26/72
D688,408 S * 8/2013 Wung D26/72
D690,450 S * 9/2013 Guercio D26/72
D690,453 S * 9/2013 Guercio D26/72
D702,867 S * 4/2014 Kim D26/72
D728,849 S * 5/2015 Hamel D26/128
D730,555 S * 5/2015 Gebhard D26/72
D750,317 S * 2/2016 Lui D26/138
D764,097 S * 8/2016 Hamel D26/128
D767,815 S * 9/2016 Lee D26/113
D780,972 S * 3/2017 Morello D26/72
9,599,315 B1 * 3/2017 Harpenau F21V 29/004
D783,474 S * 4/2017 Dennis D12/179

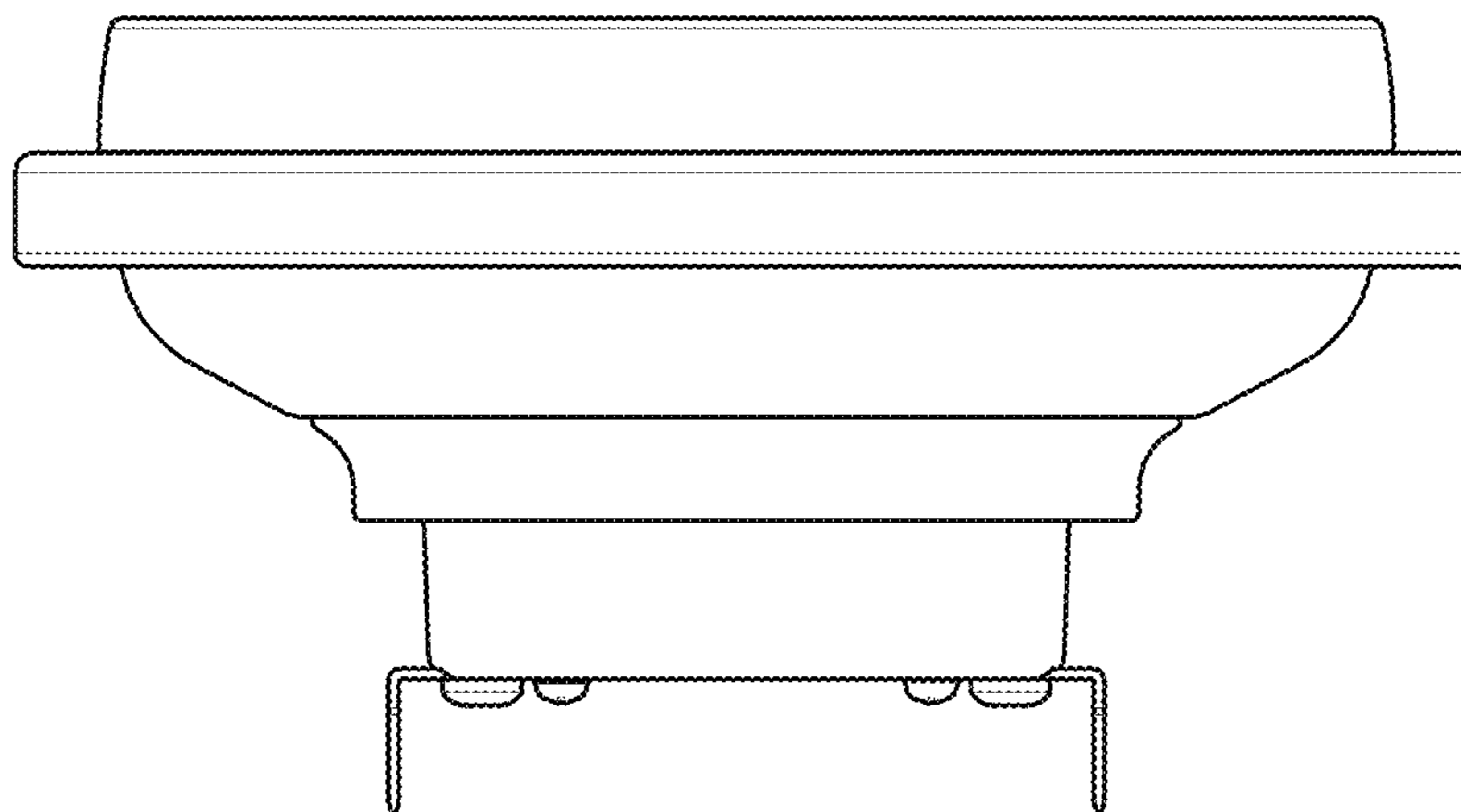
* cited by examiner



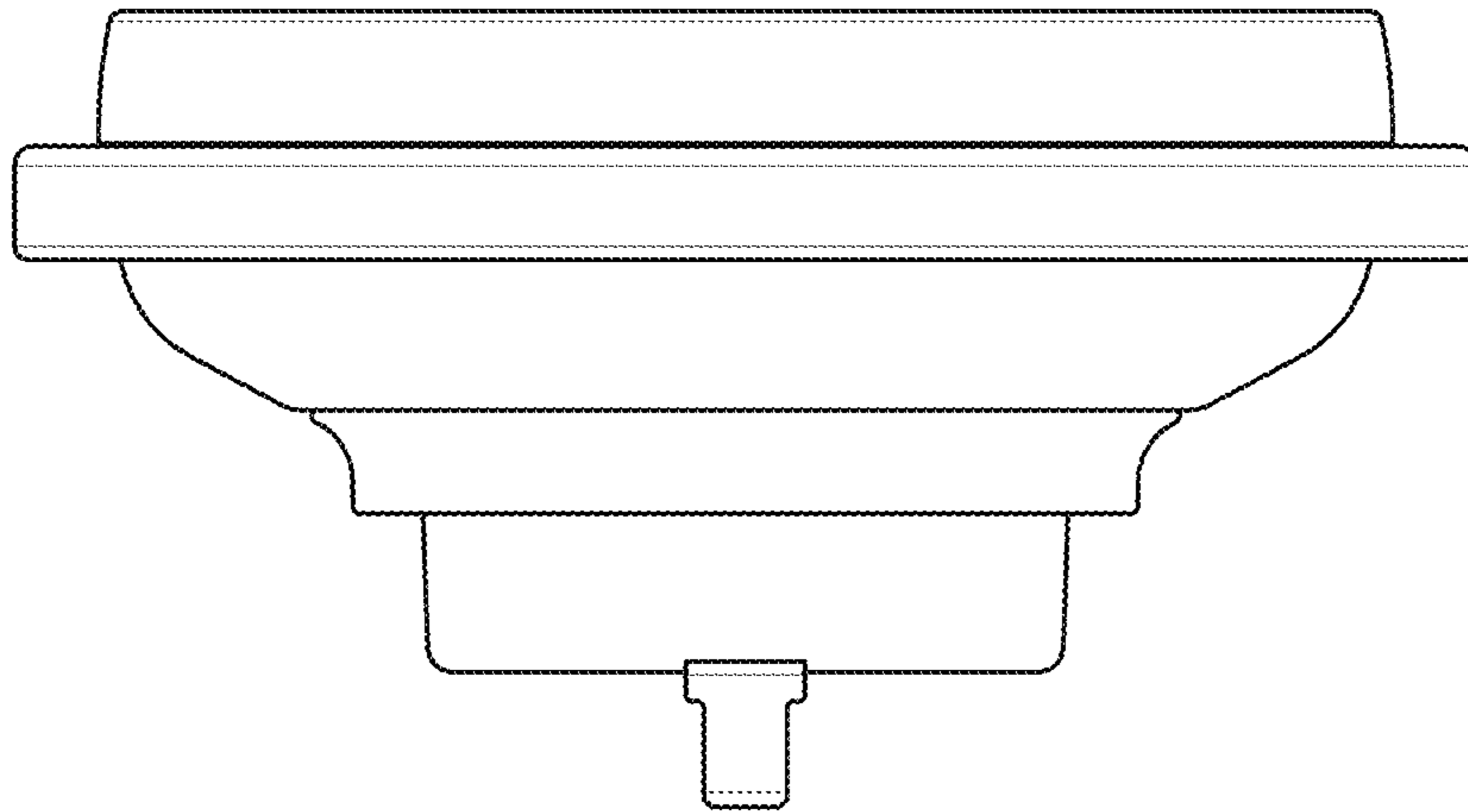
1.1



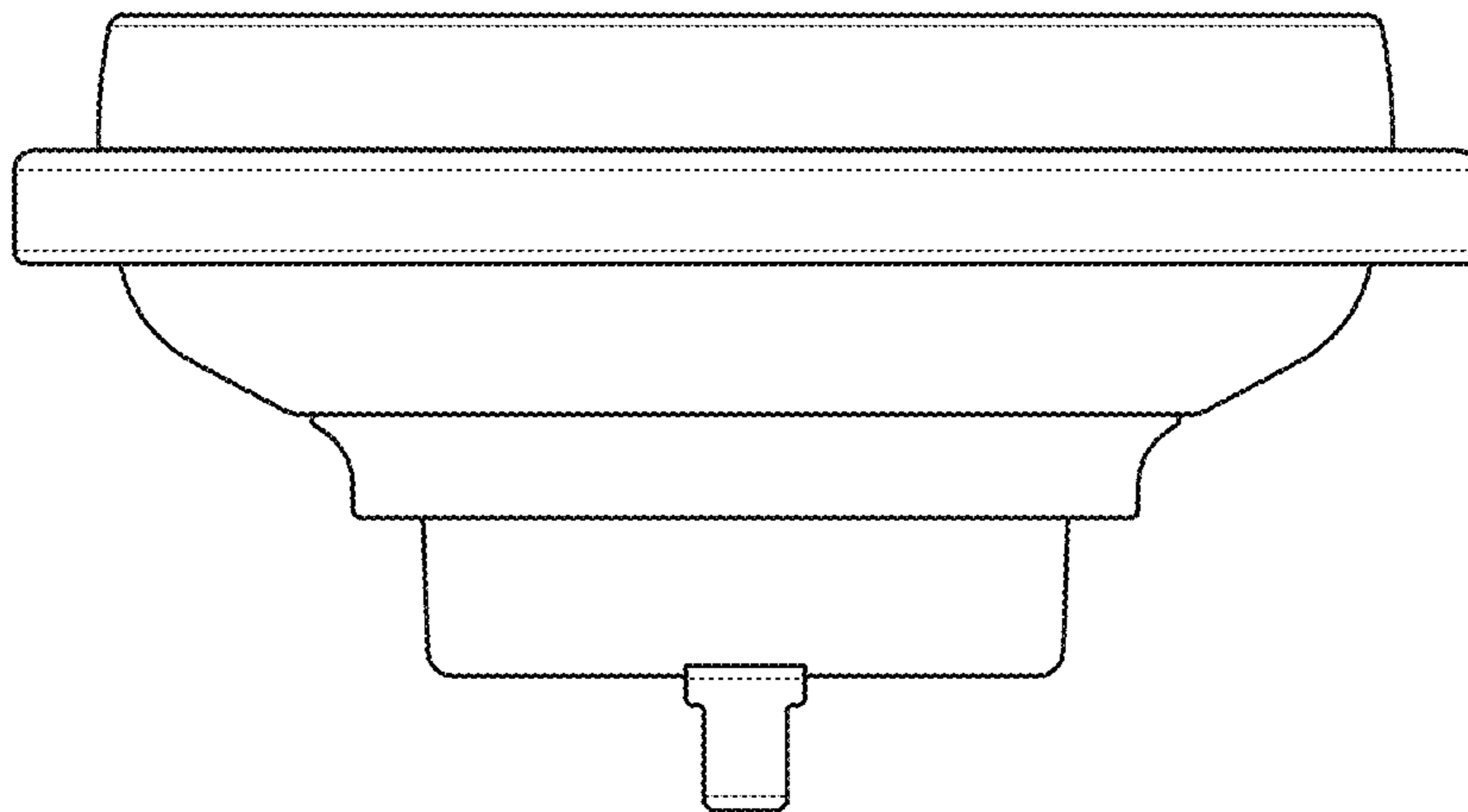
1.2



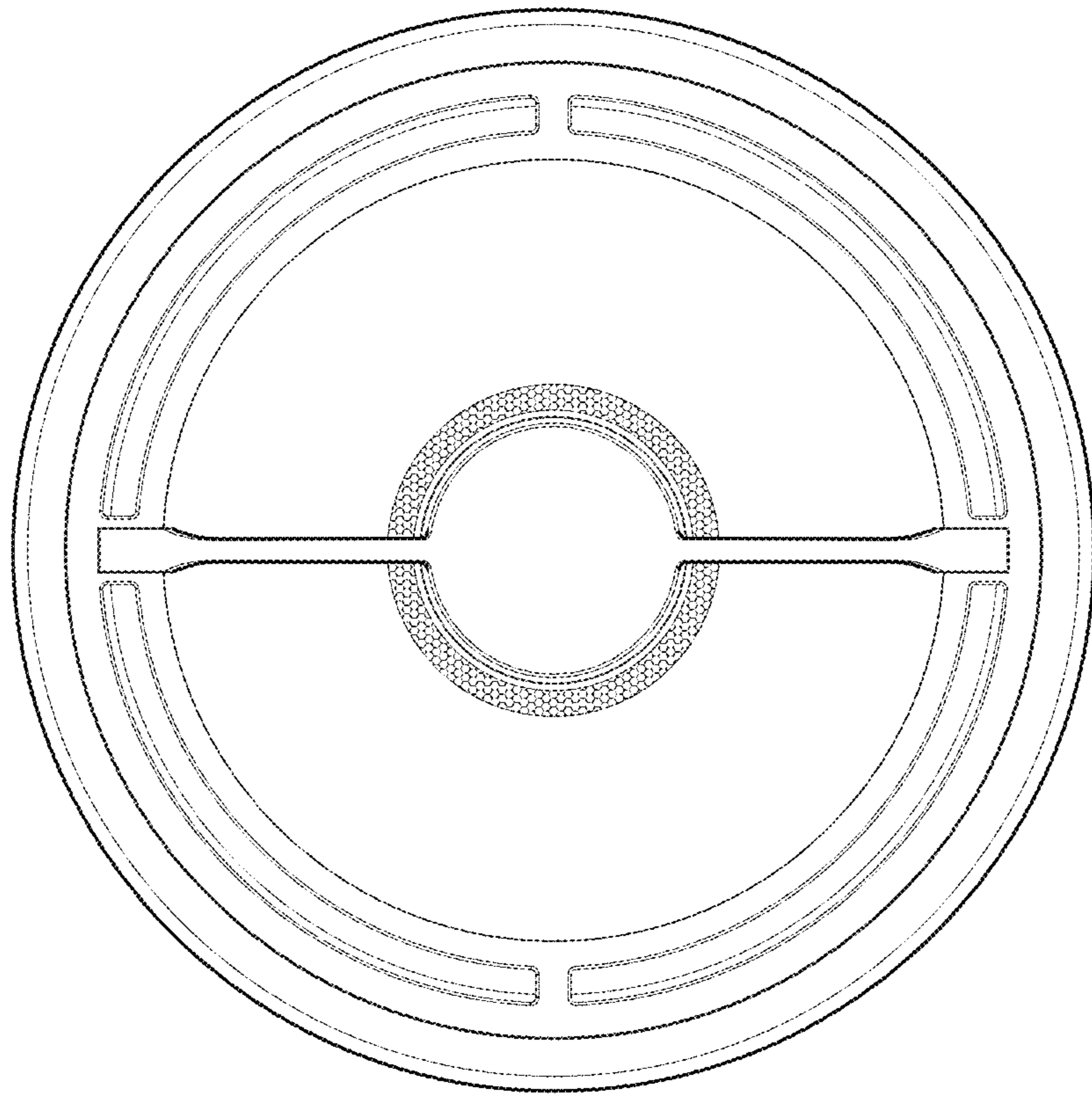
1.3



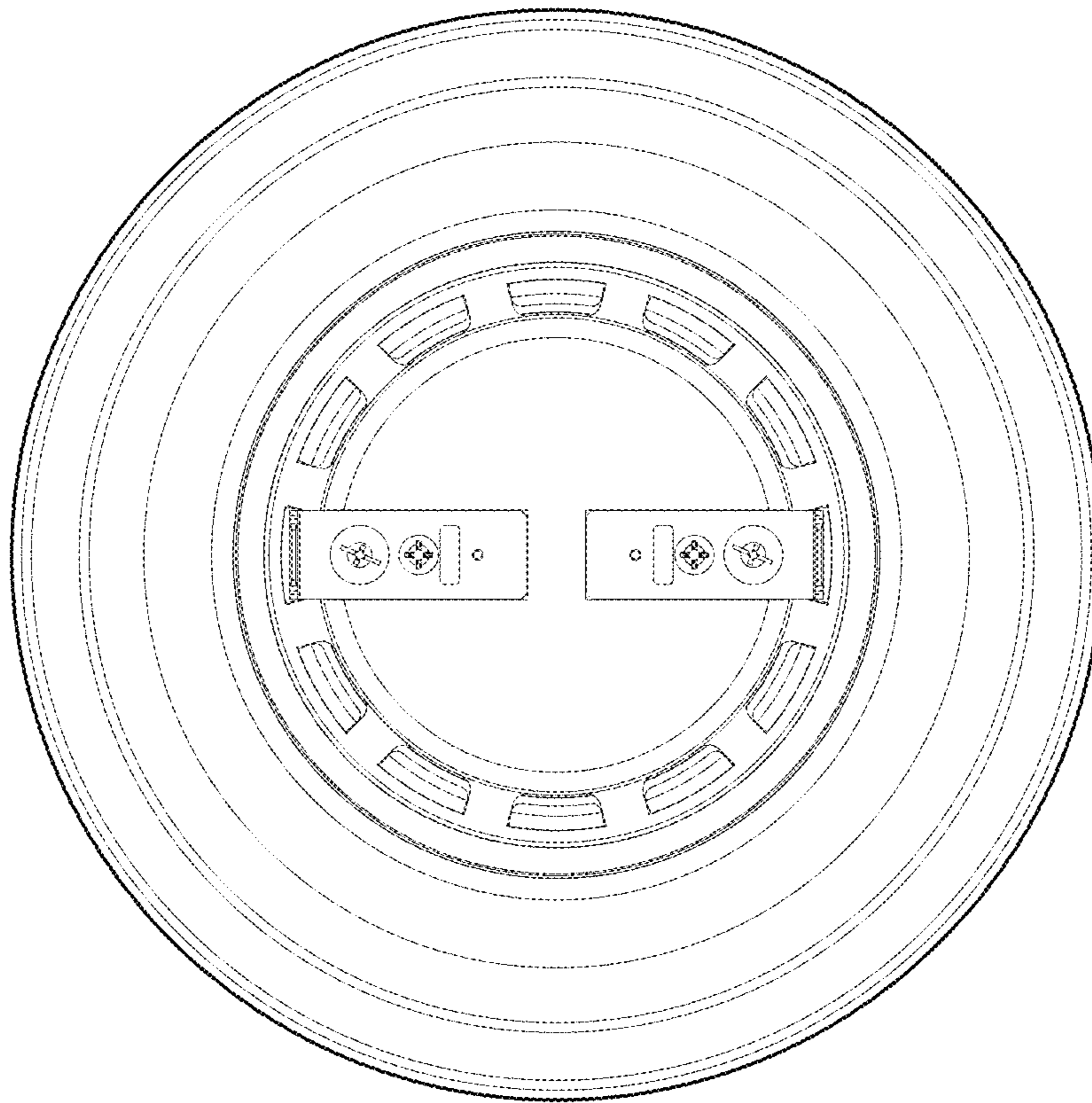
1.4



1.5



1.6



1.7