



US00D822256S

(12) **United States Design Patent** (10) **Patent No.:** **US D822,256 S**
Van Roosmalen et al. (45) **Date of Patent:** **** Jul. 3, 2018**

(54) **LUMINAIRE**
(71) Applicant: **PHILIPS LIGHTING HOLDING B.V.**, Eindhoven (NL)
(72) Inventors: **Jozef Willebrordus Van Roosmalen**, Rotterdam (NL); **Ramon Wilhelmus Maria Janssen**, Eindhoven (NL)
(73) Assignee: **PHILIPS LIGHTING HOLDING B.V.**, Eindhoven (NL)
(**) Term: **15 Years**
(21) Appl. No.: **35/501,713**
(22) Filed: **Sep. 7, 2016**

(80) **Hague Agreement Data**
Int. Filing Date: **Sep. 7, 2016**
Int. Reg. No.: **DM/092808**
Int. Reg. Date: **Sep. 7, 2016**
Int. Reg. Pub. Date: **Oct. 14, 2016**

(30) **Foreign Application Priority Data**
Mar. 10, 2016 (EM) 003023498-0001
(51) **LOC (11) Cl.** **26-05**
(52) **U.S. Cl.**
USPC **D26/74**
(58) **Field of Classification Search**
USPC D26/63, 71, 92
CPC .. F21S 8/033; F21S 8/036; F21S 8/085; F21S 8/086; F21V 21/30; F21W 2111/02
See application file for complete search history.

(56) **References Cited**
U.S. PATENT DOCUMENTS
D647,237 S * 10/2011 Su D26/71
D647,238 S * 10/2011 Su D26/71

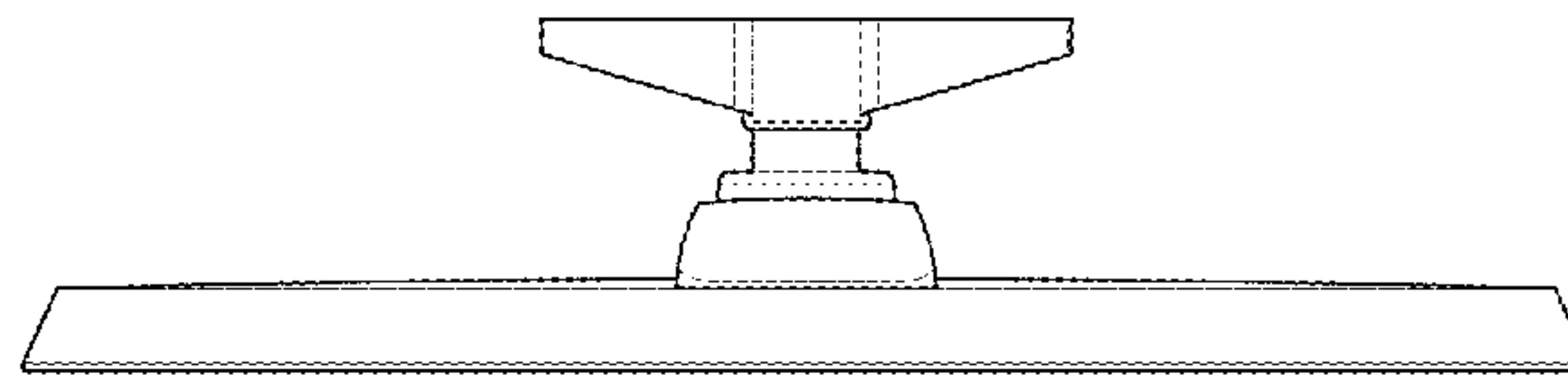
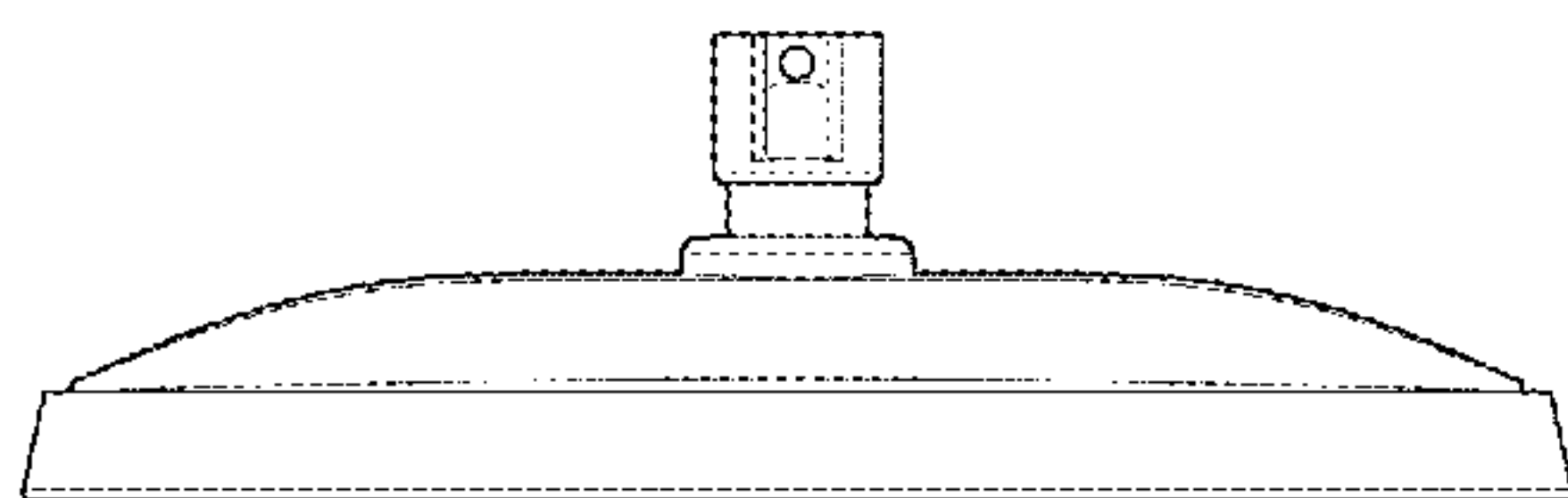
D652,978 S * 1/2012 Boissevain D26/71
D655,848 S * 3/2012 Yu Chung Han D26/85
D656,660 S * 3/2012 Henderson D26/118
D660,495 S * 5/2012 Walker D26/71
D736,984 S * 8/2015 Dal Ponte D26/92
D742,574 S * 11/2015 Bembridge D26/71
D743,083 S * 11/2015 Bembridge D26/71
D760,935 S * 7/2016 Jurdana D26/71
D760,936 S * 7/2016 Jurdana D26/71
D760,937 S * 7/2016 Jurdana D26/71
D764,091 S * 8/2016 Snell D26/71
D767,196 S * 9/2016 Duckworth D26/92
D771,855 S * 11/2016 Dal Ponte D26/71
D771,856 S * 11/2016 Novak D26/71
D771,857 S * 11/2016 Novak D26/71
D776,859 S * 1/2017 Duckworth D26/92
D780,981 S * 3/2017 Dal Ponte D26/92
D781,482 S * 3/2017 McCracken, Jr. D26/71
D781,483 S * 3/2017 McCracken D26/71

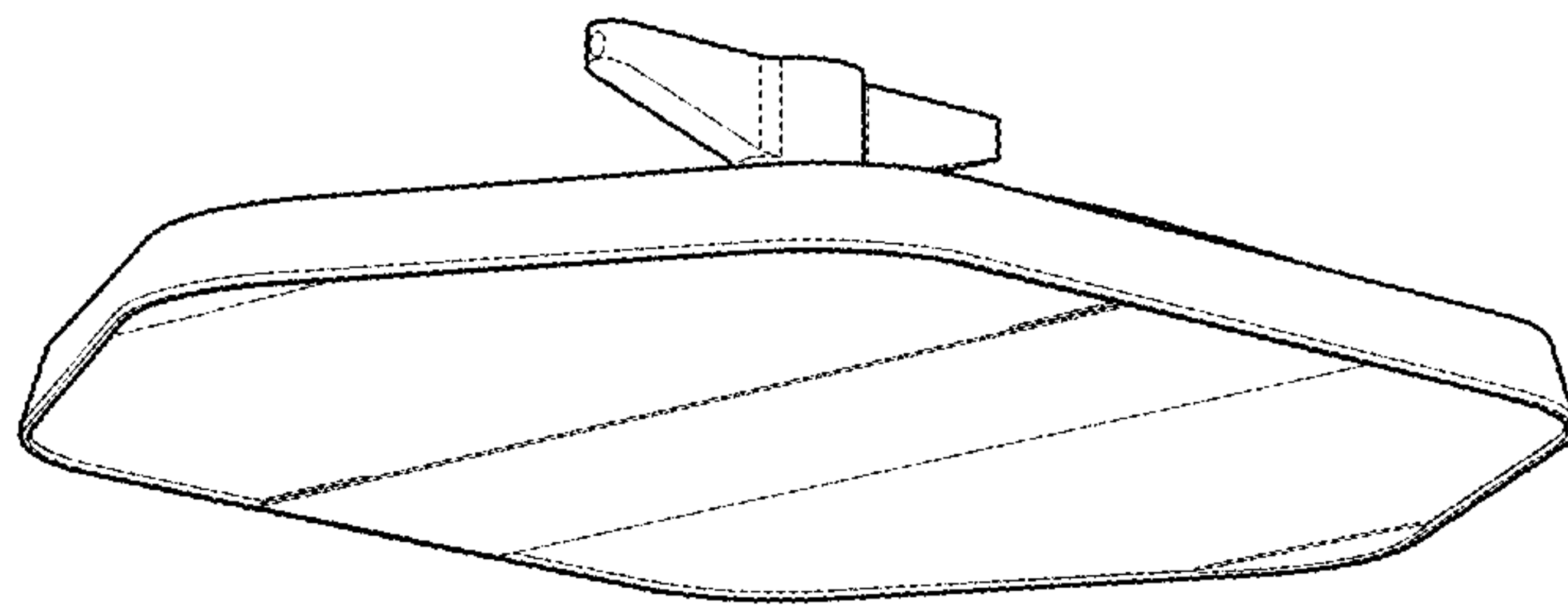
* cited by examiner
Primary Examiner — Michael A. Pratt

(57) **CLAIM**
The ornamental design for the luminaire, as shown and described.

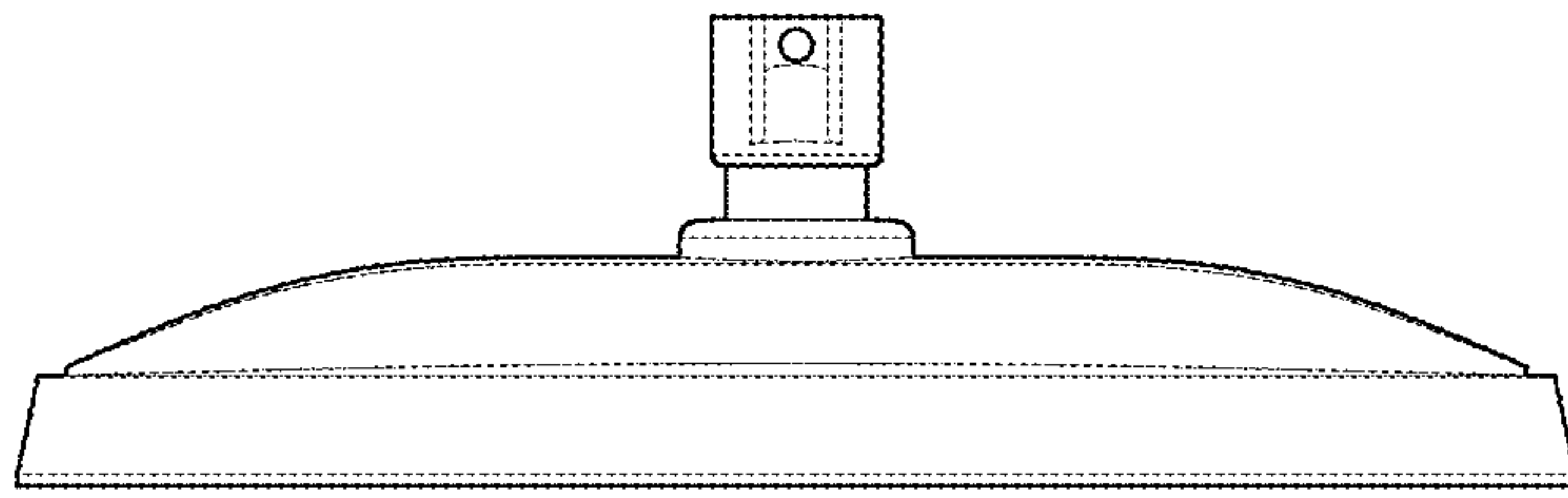
DESCRIPTION
1.1 is a bottom perspective view showing my design;
1.2 is a front elevational view thereof;
1.3 is a rear elevational view thereof;
1.4 is a right side elevational view thereof;
1.5 is a left side elevational view thereof;
1.6 is a top plan view thereof;
1.7 is a bottom plan view thereof;
The broken lines depicting features of a portion of the luminaire are for environmental purposes only and form no part of the claimed design.

1 Claim, 5 Drawing Sheets

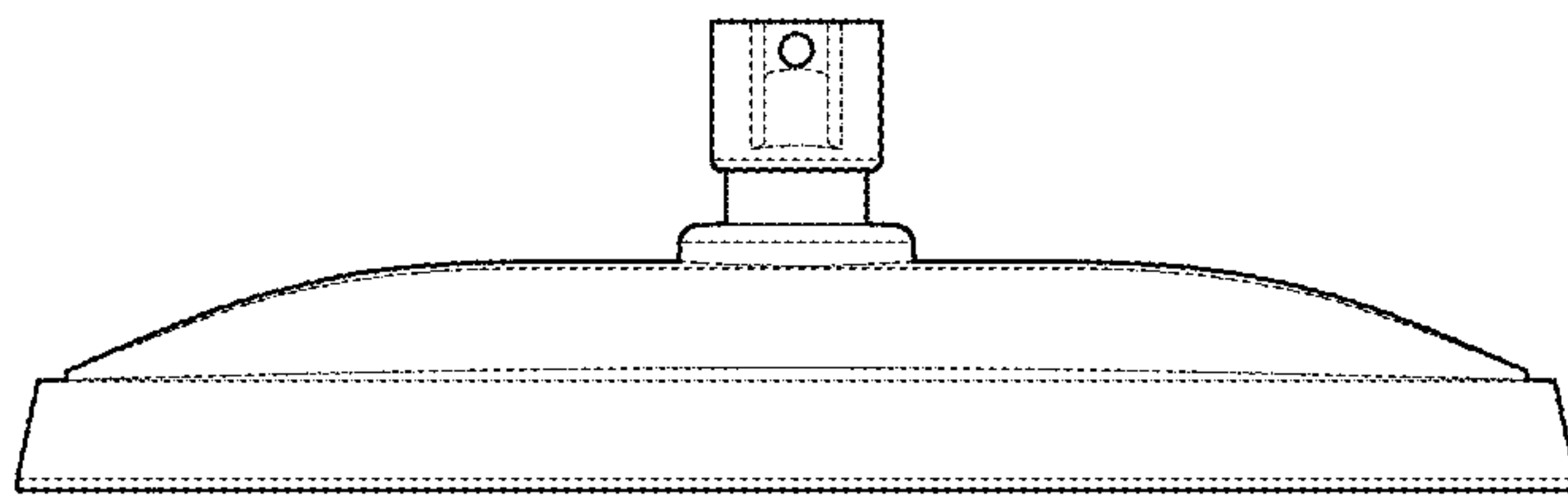




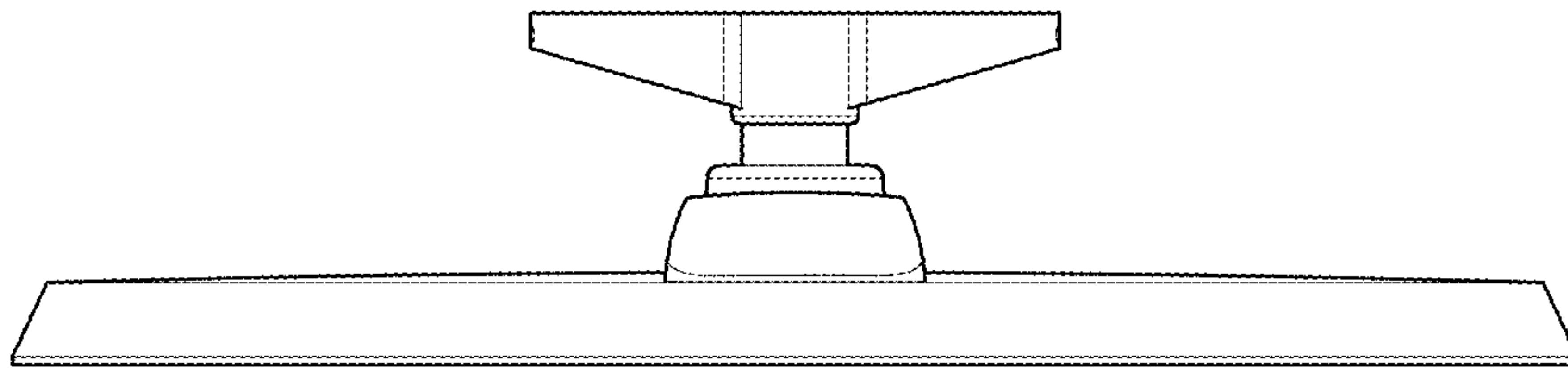
1.1



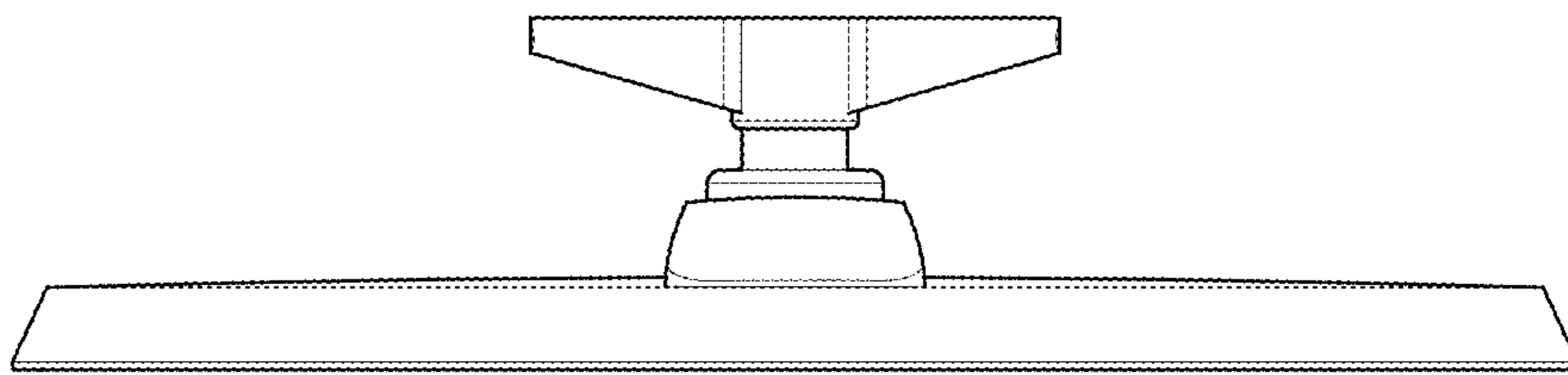
1.2



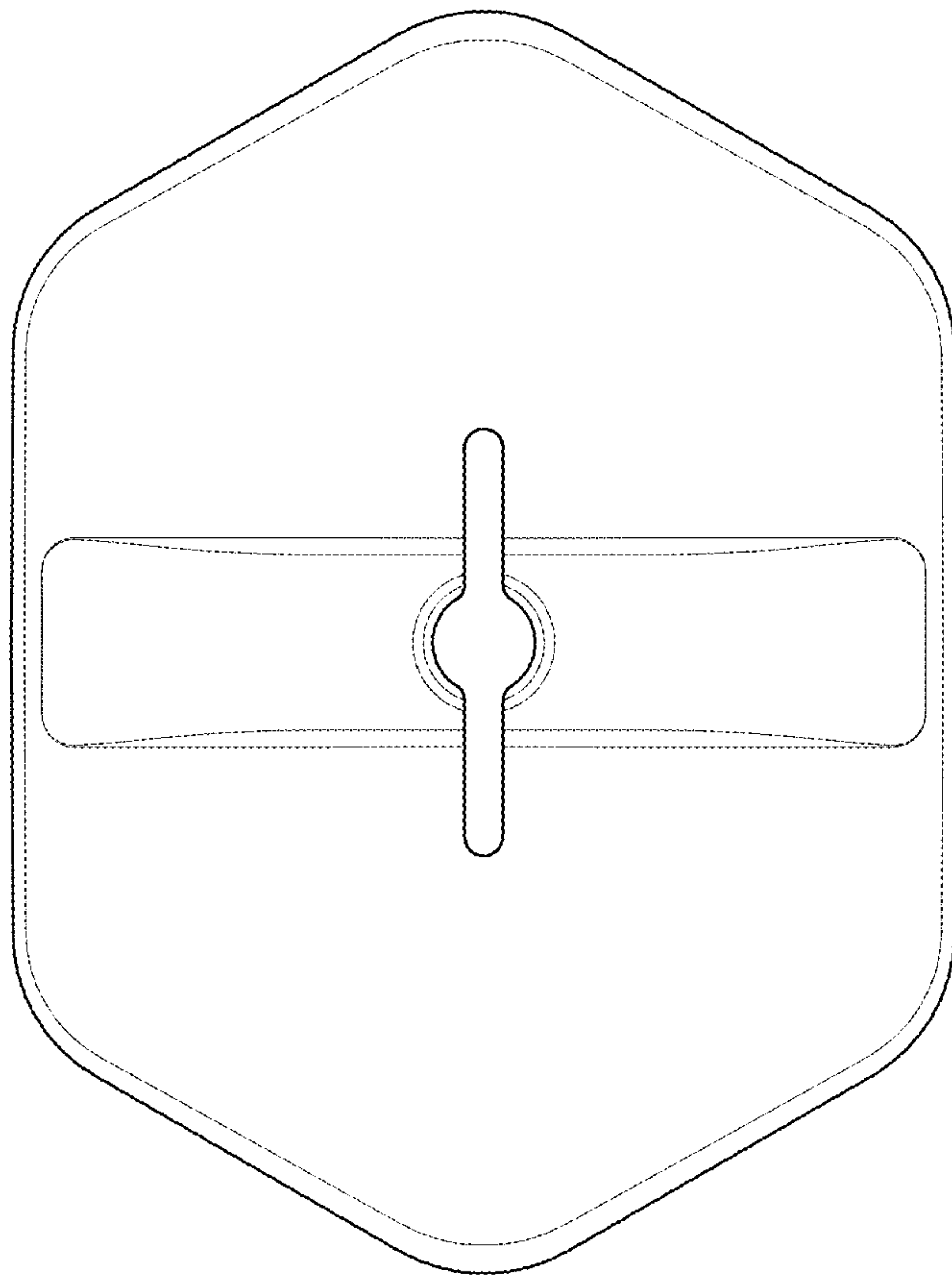
1.3



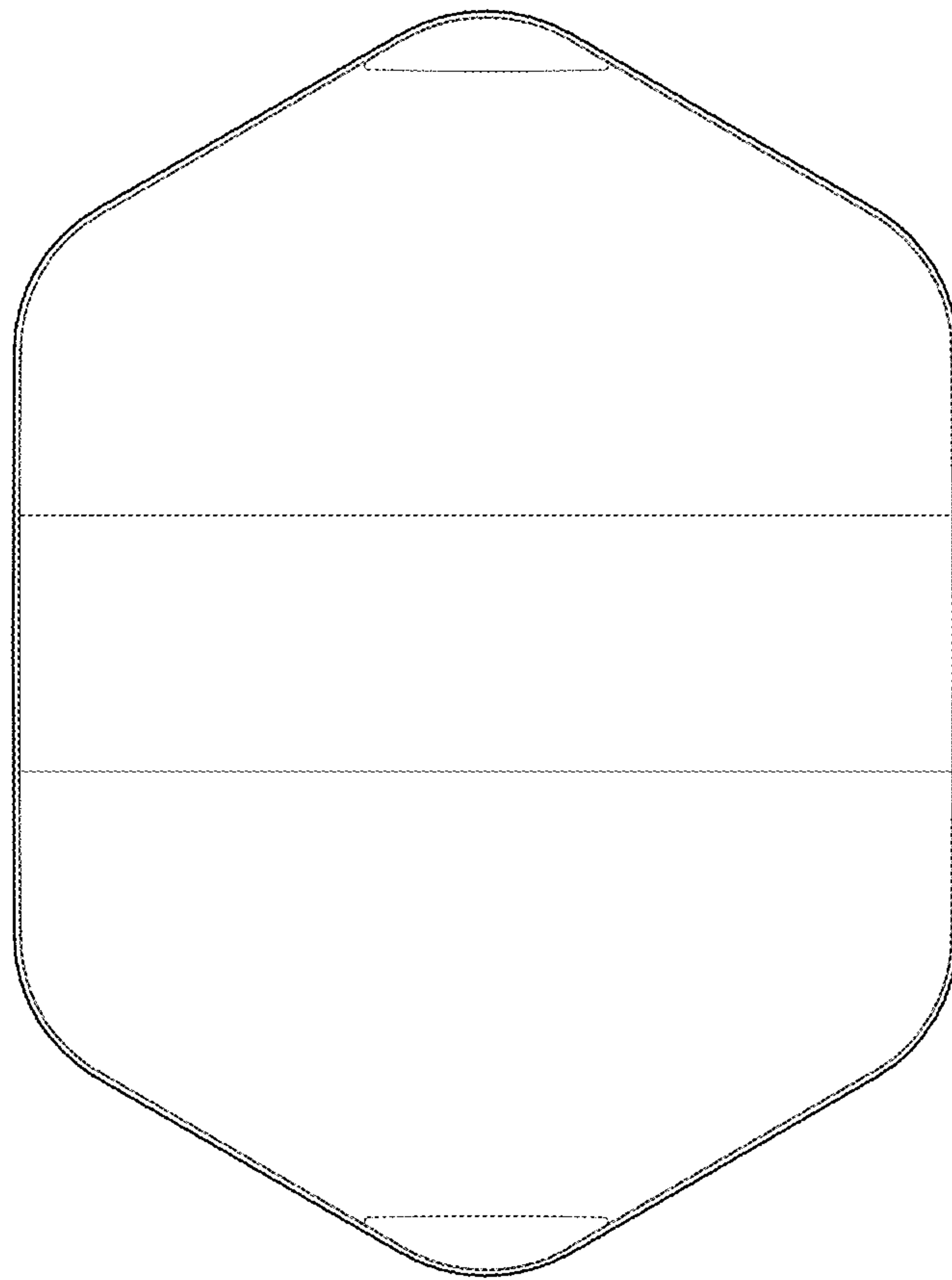
1.4



1.5



1.6



1.7