



US00D822254S

(12) **United States Design Patent**
Ahrari et al.

(10) **Patent No.:** **US D822,254 S**
(45) **Date of Patent:** **** Jul. 3, 2018**

(54) **LIGHT FIXTURE**

- (71) Applicant: **Hubbell Incorporated**, Shelton, CT (US)
- (72) Inventors: **Armin Ahrari**, Glendale, CA (US);
Robert Nankil, Buena Park, CA (US)
- (73) Assignee: **Hubbell Incorporated**, Shelton, CT (US)
- (**) Term: **15 Years**
- (21) Appl. No.: **29/564,385**
- (22) Filed: **May 12, 2016**

Related U.S. Application Data

- (63) Continuation of application No. 14/689,423, filed on Apr. 17, 2015.
- (51) **LOC (11) Cl.** **26-05**
- (52) **U.S. Cl.**
USPC **D26/71; D26/85**
- (58) **Field of Classification Search**
USPC D26/67-72, 85, 92
CPC .. F21S 8/033; F21S 8/036; F21S 8/085; F21S 8/086; F21S 8/088; F21W 2111/02; F21W 2111/023; F21W 2131/101; F21W 2131/103; F21W 2131/1005; F21W 2131/107
See application file for complete search history.

(56) **References Cited**

U.S. PATENT DOCUMENTS

233,016	A	12/1943	Jayne et al.	
2,496,513	A	2/1950	Anders	
2,800,574	A	7/1957	Belbes et al.	
2,914,657	A	11/1959	Akely et al.	
D198,812	S *	8/1964	Pettengill	D26/71
3,264,465	A *	8/1966	Rex	F21S 8/086 250/215
D465,593	S *	11/2002	Chang	D26/72

(Continued)

FOREIGN PATENT DOCUMENTS

CN	202118667	1/2012
EP	1332957	8/2003
JP	H06243703	9/1994

OTHER PUBLICATIONS

HESS "Pasadena." Luminaire brochure pp. 147-151 from hess-america.com. Available Apr. 9, 2015. (5 pages) (Year: 2015).*
(Continued)

Primary Examiner — Clare E Heflin

(74) *Attorney, Agent, or Firm* — Michael Best & Friedrich LLP

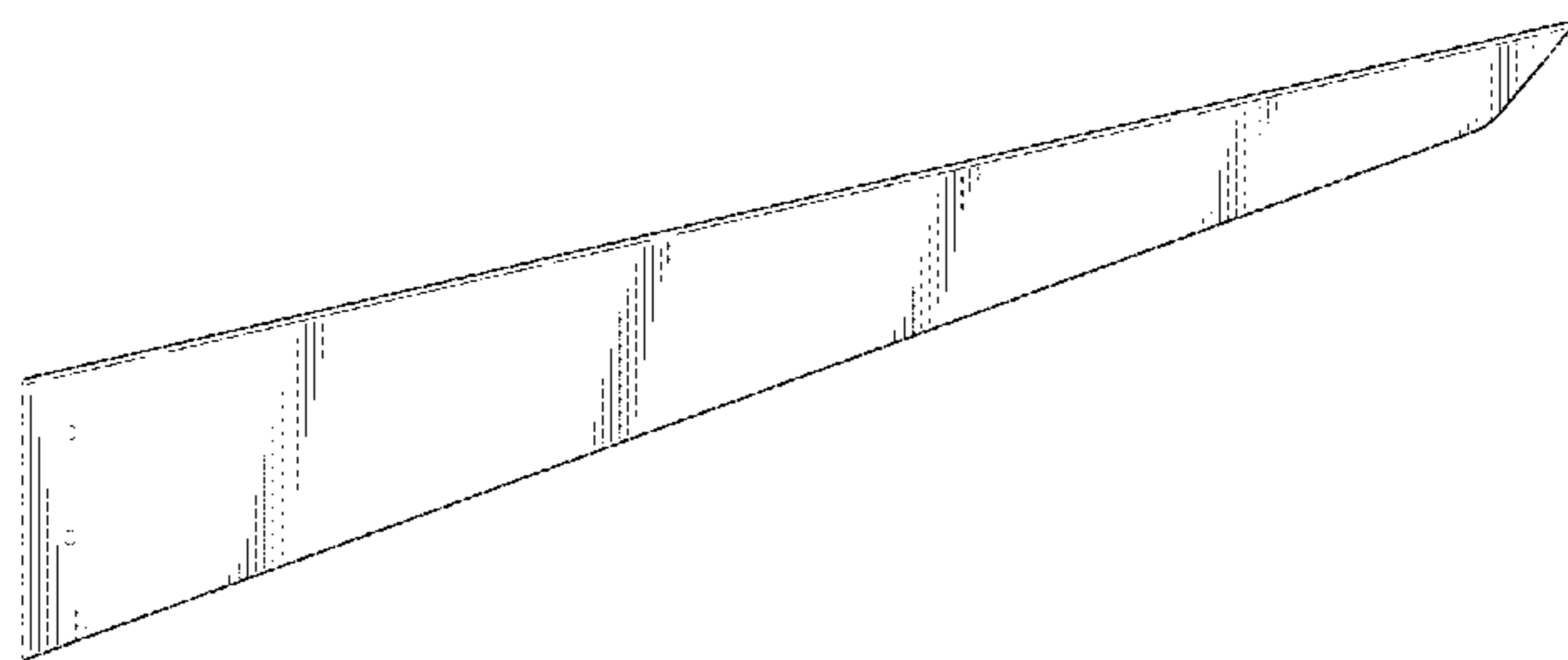
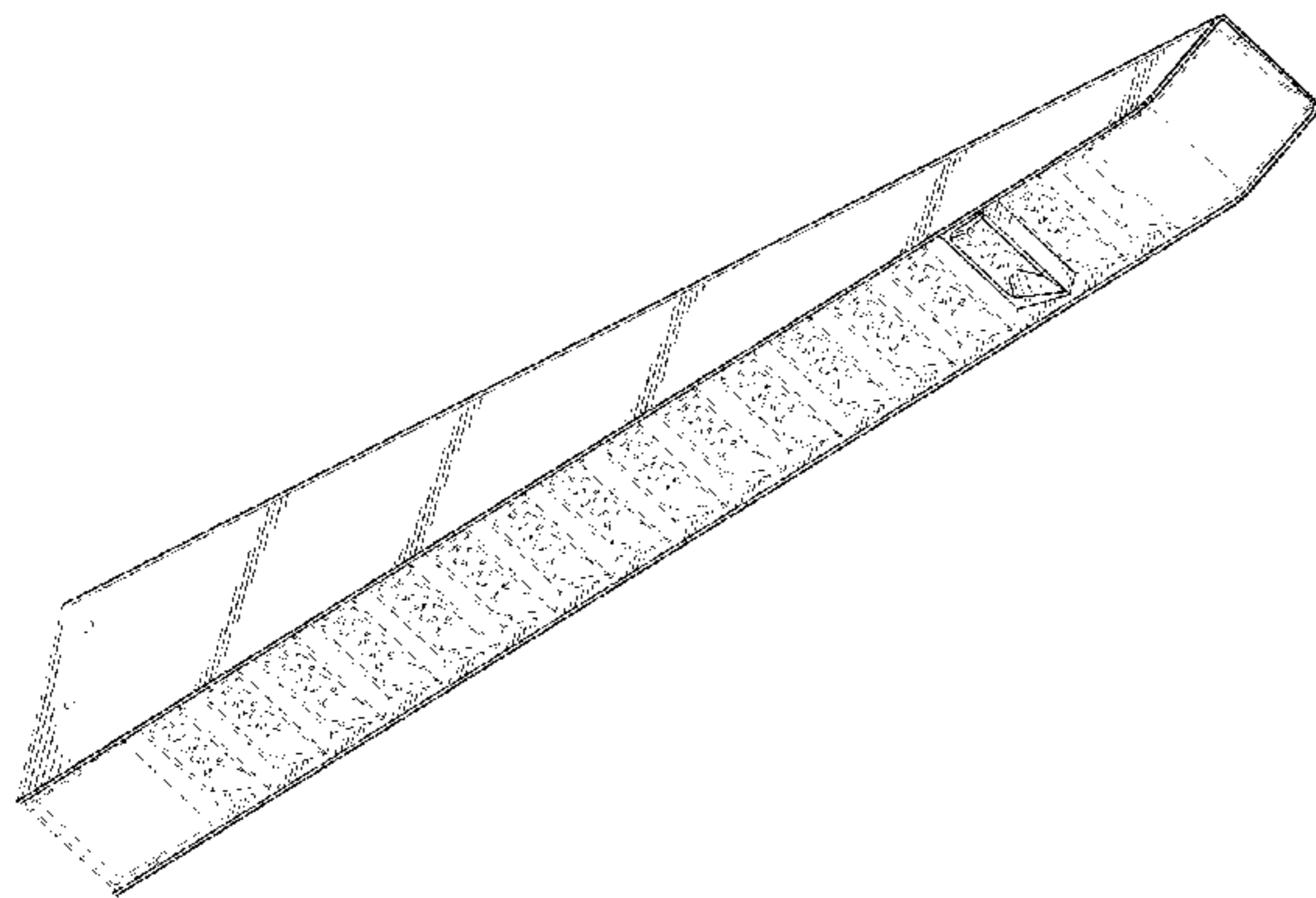
(57) **CLAIM**

We claim the ornamental design for a light fixture, as shown and described.

DESCRIPTION

FIG. 1 is a perspective view of a light fixture according to our new design.
 FIG. 2 is a perspective view of the light fixture shown in FIG. 1.
 FIG. 3 is a perspective view of the light fixture shown in FIG. 1.
 FIG. 4 is a second side view of the light fixture shown in FIG. 1.
 FIG. 5 is a second side view of the light fixture shown in FIG. 1.
 FIG. 6 is a first plan view of the light fixture shown in FIG. 1; and,
 FIG. 7 is an end view of the light fixture shown in FIG. 1.
 The broken lines shown in the drawings illustrate portions of the light fixture and/or environment that form no part of the claimed design.

1 Claim, 3 Drawing Sheets



(56)

References Cited

U.S. PATENT DOCUMENTS

D493,009	S *	7/2004	Ken	D26/72
D566,876	S *	4/2008	Allen	D26/85
D608,040	S *	1/2010	Guercio	D26/71
D672,078	S *	12/2012	Lui	D26/71
D677,419	S *	3/2013	Sauvage	D26/85
D707,381	S *	6/2014	Maxik	D26/71
8,858,028	B2	10/2014	Kim		
D729,968	S *	5/2015	Szalontai	D26/71
D732,223	S *	6/2015	Ahrari	D26/71
9,200,759	B2	12/2015	Schwarz		
D757,322	S *	5/2016	Martin	D26/71
D768,904	S *	10/2016	Ahrari	D26/71
2005/0237760	A1	10/2005	Tsukamoto		
2009/0103288	A1 *	4/2009	Boyer	F21S 8/086 362/153.1
2009/0323343	A1	12/2009	Wang		
2012/0026728	A1	2/2012	Lou		
2013/0003379	A1	1/2013	De Silva		
2013/0301267	A1	11/2013	Badley		
2013/0322074	A1	12/2013	Guercio et al.		
2014/0334148	A1	2/2014	Lee		
2014/0078715	A1	3/2014	Pickard		
2014/0168991	A1	6/2014	Kim		
2014/0347856	A1 *	11/2014	Deng	F21S 8/086 362/249.02
2015/0330609	A1 *	11/2015	Ahrari	F21S 8/088 362/238

OTHER PUBLICATIONS

European Patent Appl. No. 15792109.9 extended European Search Report dated Oct. 6, 2017 (8 pages).

* cited by examiner

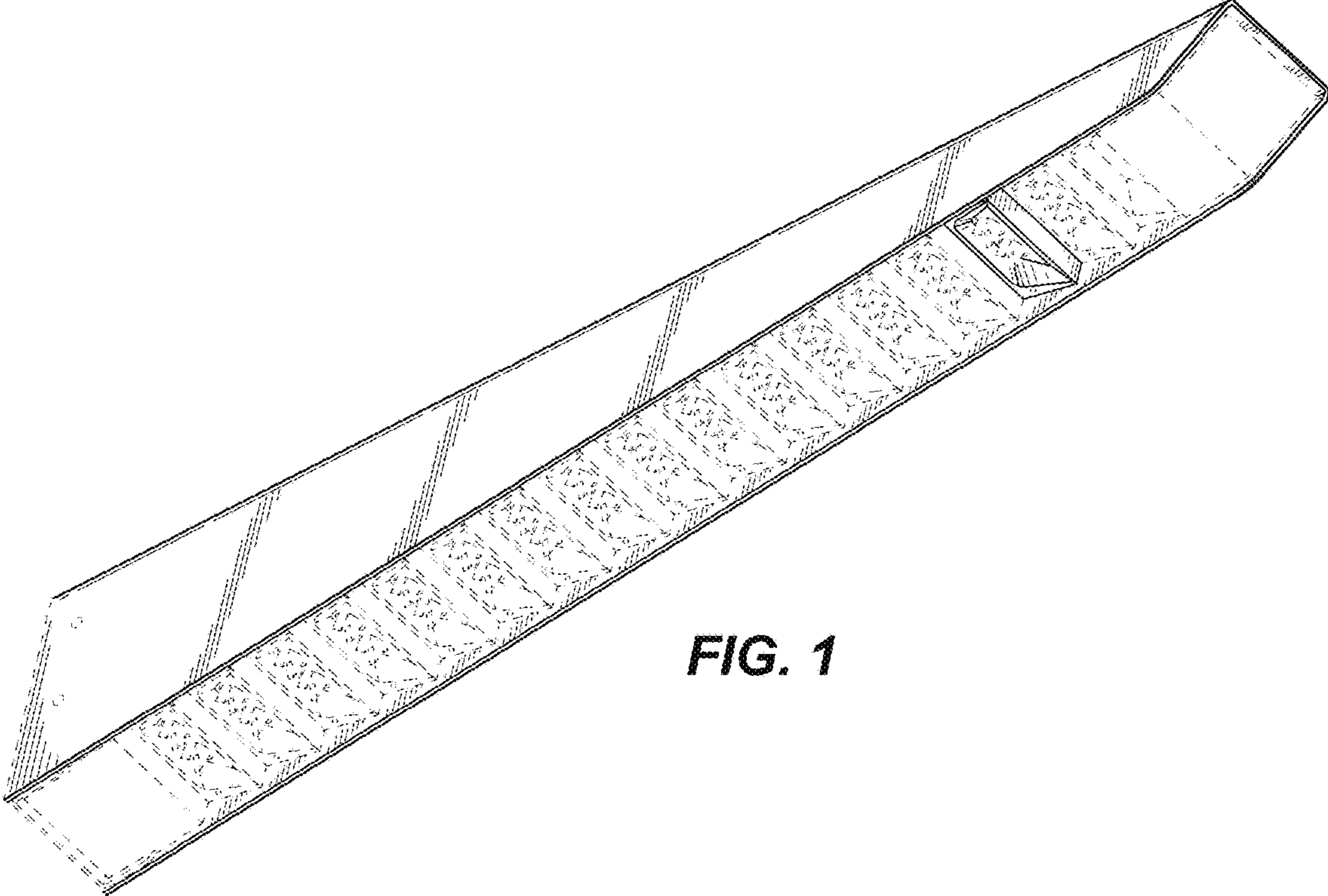


FIG. 1

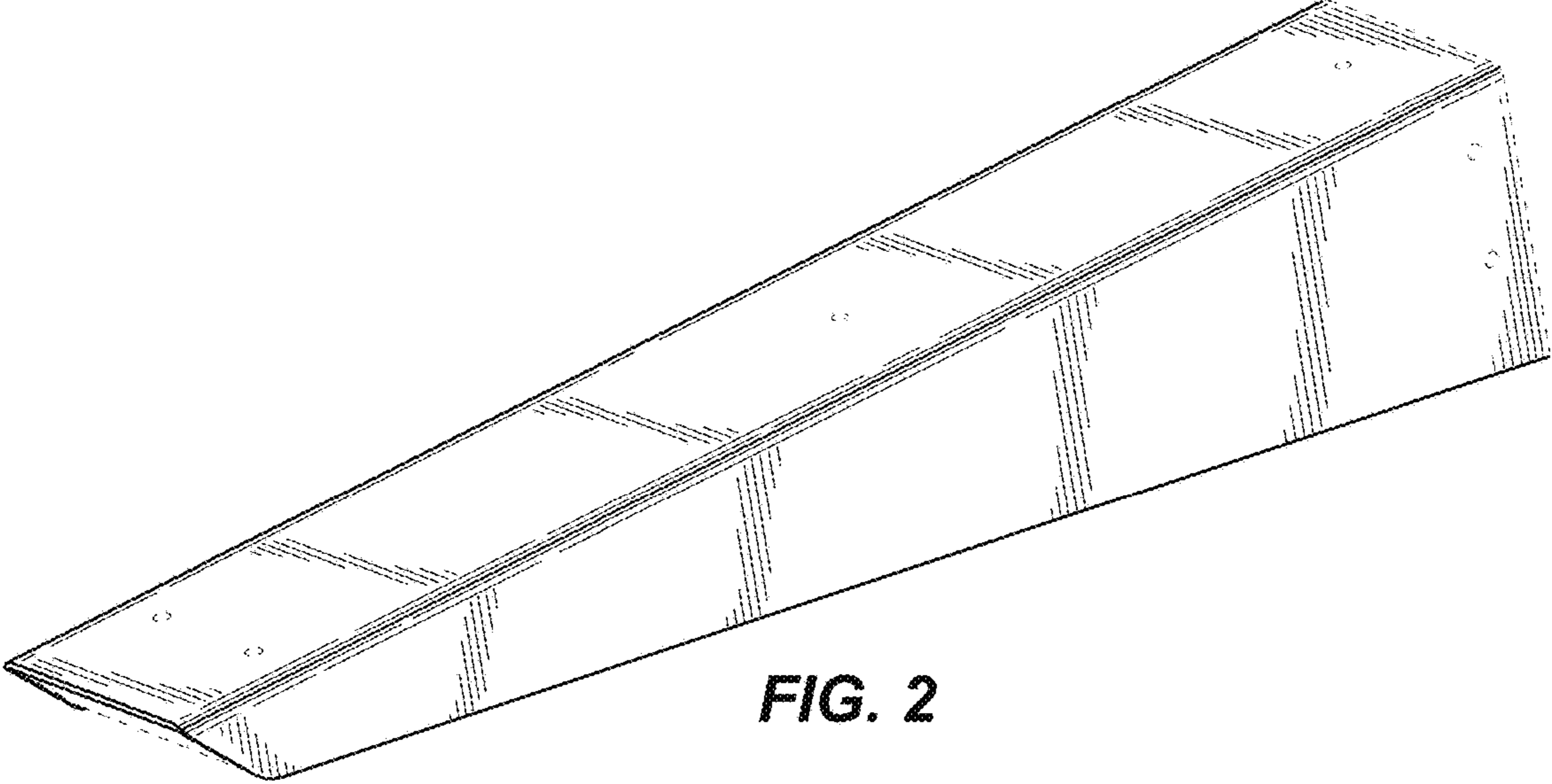
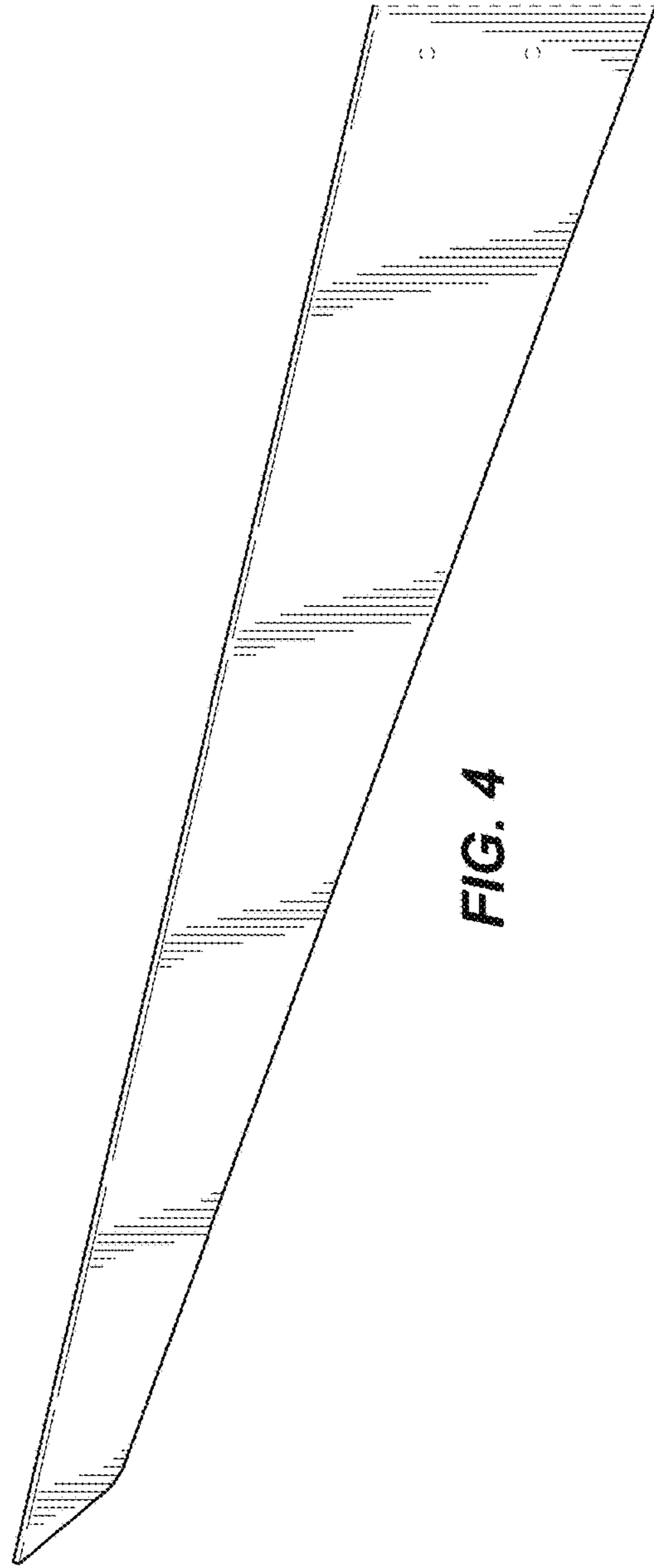
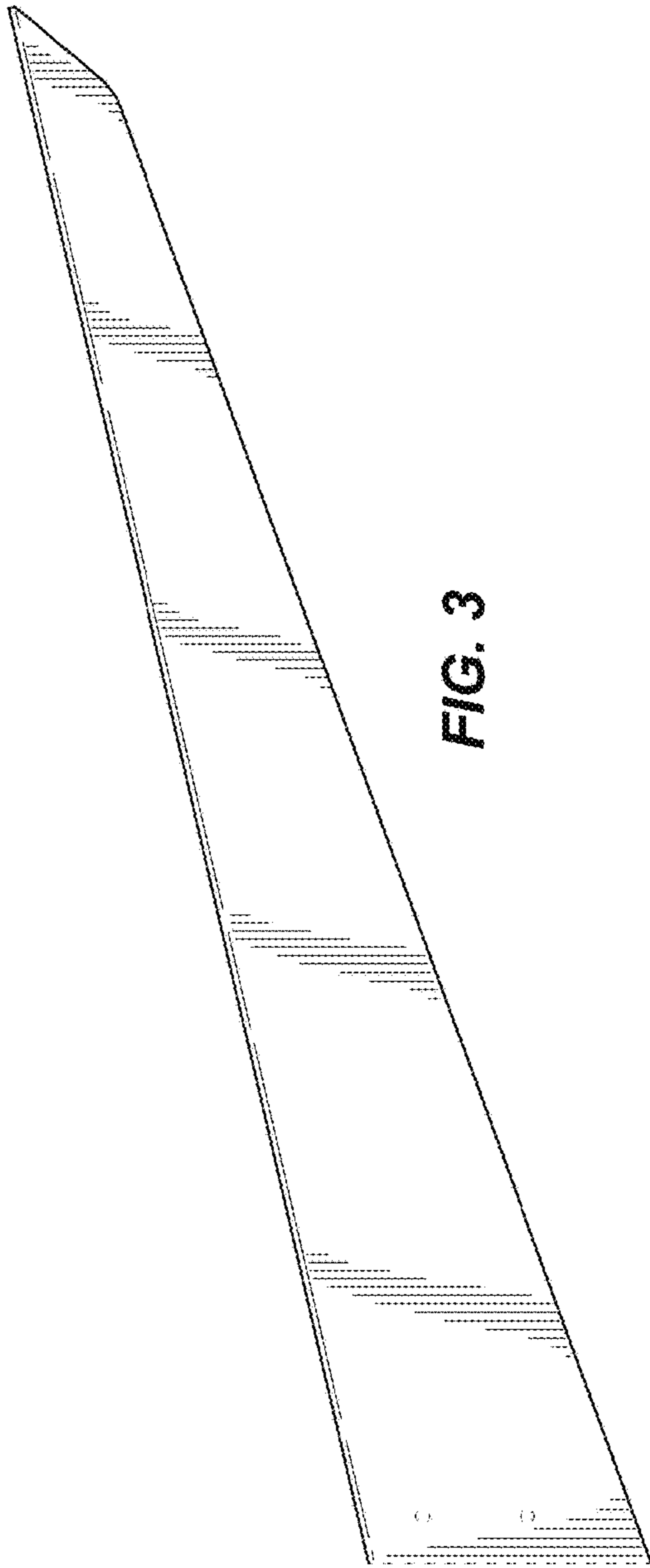


FIG. 2



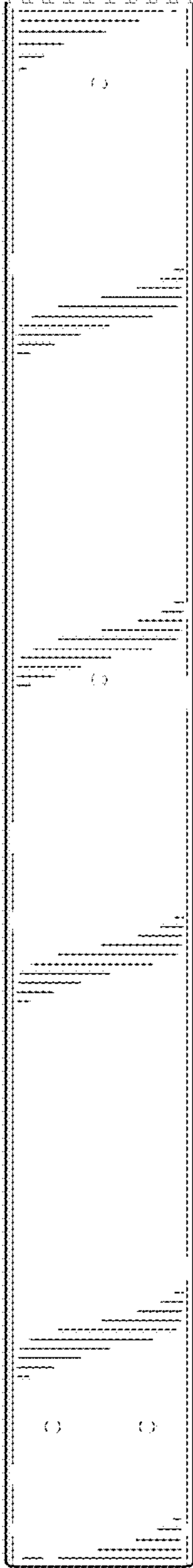


FIG. 5

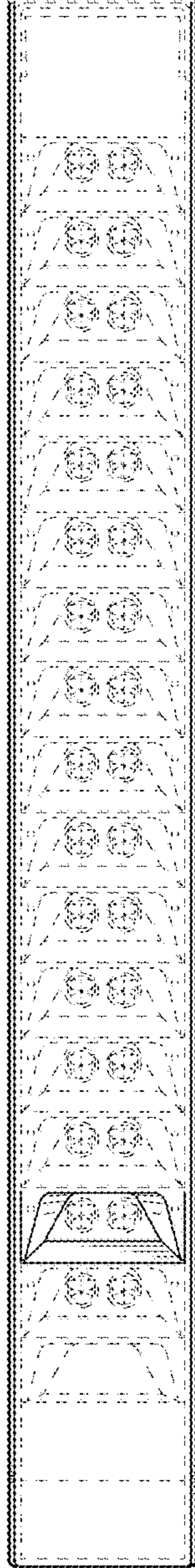


FIG. 6

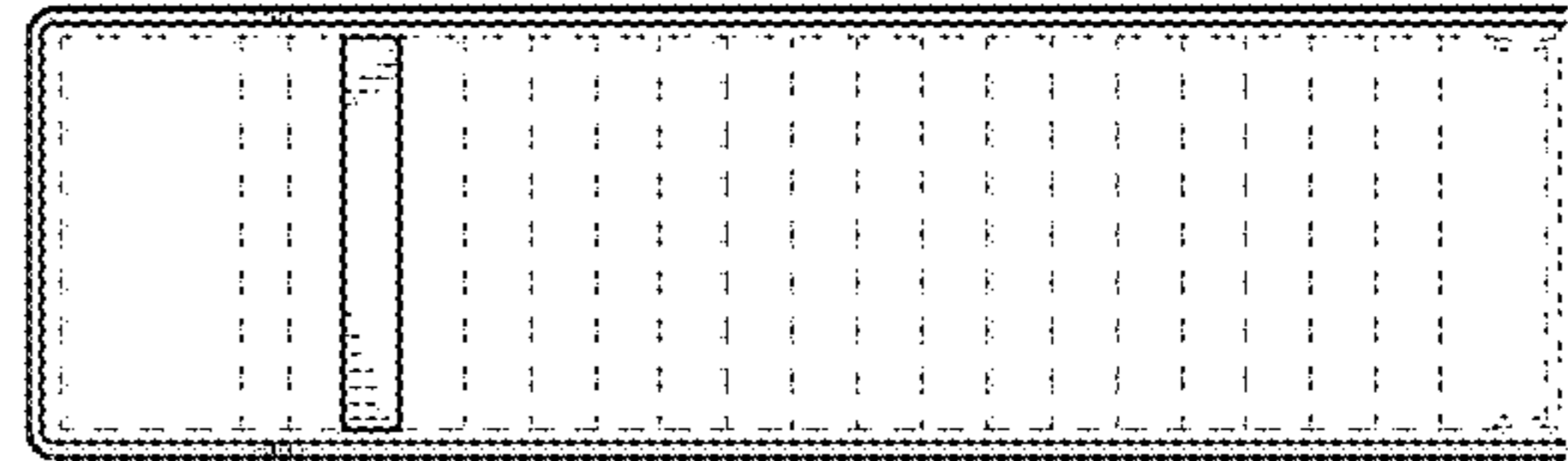


FIG. 7