



US00D822252S

(12) **United States Design Patent**
Obeso et al.

(10) **Patent No.:** **US D822,252 S**
(45) **Date of Patent:** **** Jul. 3, 2018**

(54) **LIGHT FIXTURE**

(71) Applicants: **Joaquin J. Obeso**, Miami, FL (US);
Craig A. Klomprens, Ft. Lauderdale,
FL (US)

(72) Inventors: **Joaquin J. Obeso**, Miami, FL (US);
Craig A. Klomprens, Ft. Lauderdale,
FL (US)

(**) Term: **15 Years**

(21) Appl. No.: **29/571,834**

(22) Filed: **Jul. 22, 2016**

(51) **LOC (11) Cl.** **26-05**

(52) **U.S. Cl.**
USPC **D26/68; D26/63**

(58) **Field of Classification Search**
USPC D26/63, 67-71, 87, 92, 118
CPC F21S 8/032; F21S 8/08; F21S 8/081; F21S
8/083; F21S 8/085; F21S 8/088; F21S
6/004; F21S 9/03; F21S 9/032; F21S
9/035; F21S 9/037; F21S 13/10; F21W
2131/10; F21W 2131/107; F21W
2131/109; F21W 2111/023; F21V
21/0824; F21V 7/041
See application file for complete search history.

(56) **References Cited**

U.S. PATENT DOCUMENTS

D329,101 S *	9/1992	Landefeld	D26/68
D407,842 S *	4/1999	Landefeld	D26/63
D417,520 S *	12/1999	Landefeld	D26/68
D438,322 S *	2/2001	Skradski	D26/68
D444,584 S *	7/2001	Landefeld	D26/67
D469,557 S *	1/2003	DiPasquale	D26/67
D571,494 S *	6/2008	Friedman	D26/67

D578,694 S *	10/2008	Zeng	D26/67
D632,414 S *	2/2011	Croce	D26/63
D694,933 S *	12/2013	Meyer	D26/67
D765,296 S *	8/2016	Wei	D26/60

OTHER PUBLICATIONS

“Evergaldes” Dual-Source Directional Light Fixture Model#489900 Specification Sheet from Dauer Lampen. From DauerLED.com, visited Mar. 2, 2018. (Year: 2018).*
“Savannah” Directional Light Fixture Model#489901 Specification Sheet from Dauer Lampen. From DauerLED.com, visited Mar. 2, 2018. (Year: 2018).*

* cited by examiner

Primary Examiner — Clare E Heflin

(74) *Attorney, Agent, or Firm* — Malloy & Malloy, PL

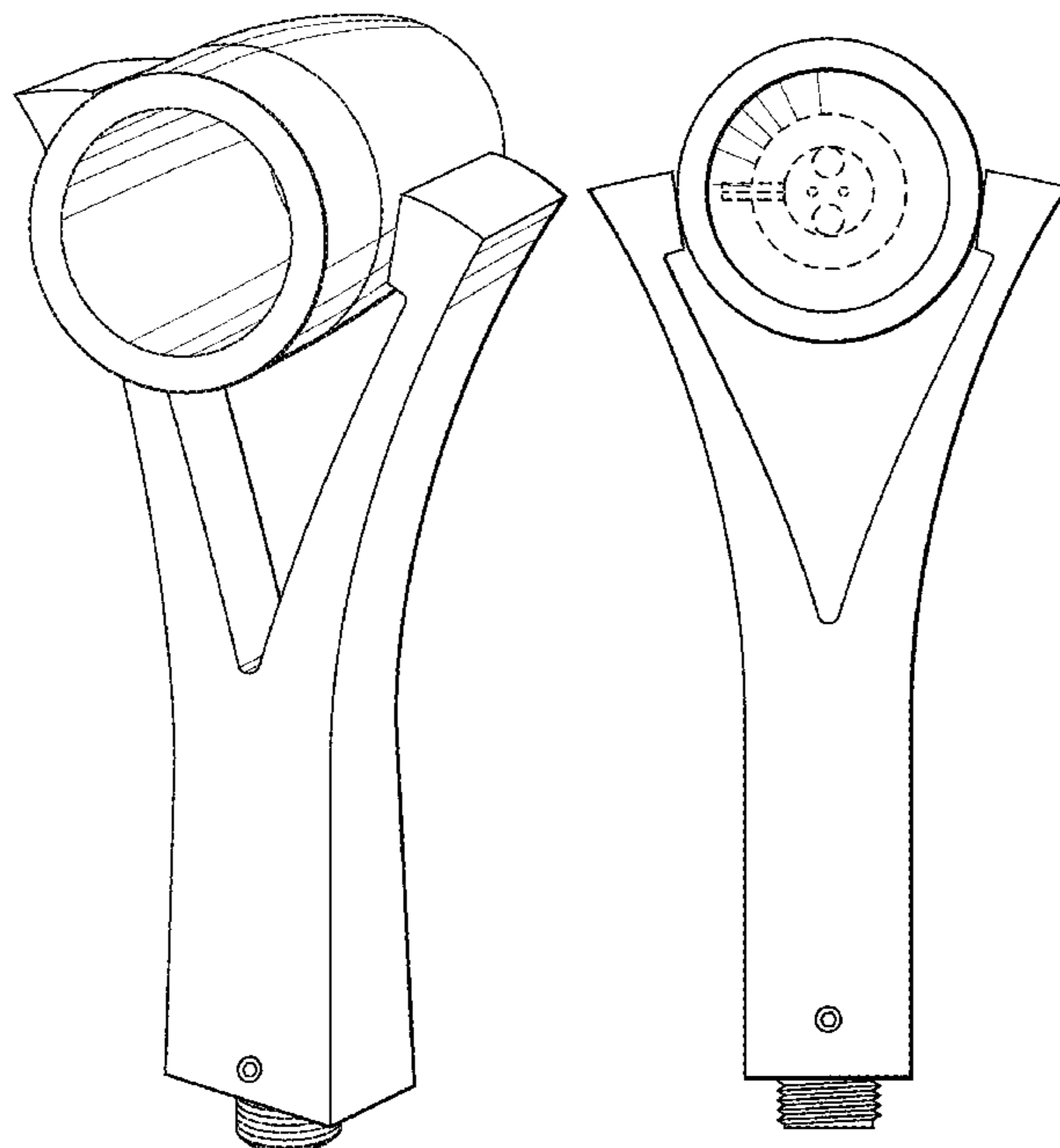
(57) **CLAIM**

The ornamental design for light fixture, as shown and described.

DESCRIPTION

FIG. 1 is a front perspective view of the light fixture showing our new design;
FIG. 2 is a front elevation view thereof;
FIG. 3 is a left side elevation view thereof;
FIG. 4 is a top plan view thereof;
FIG. 5 is a left side elevation view thereof;
FIG. 6 is a bottom plan view thereof; and,
FIG. 7 is a rear elevation view thereof.
The broken lines shown on the drawings depict portions of the light fixture that form no part of the claimed design.

1 Claim, 6 Drawing Sheets



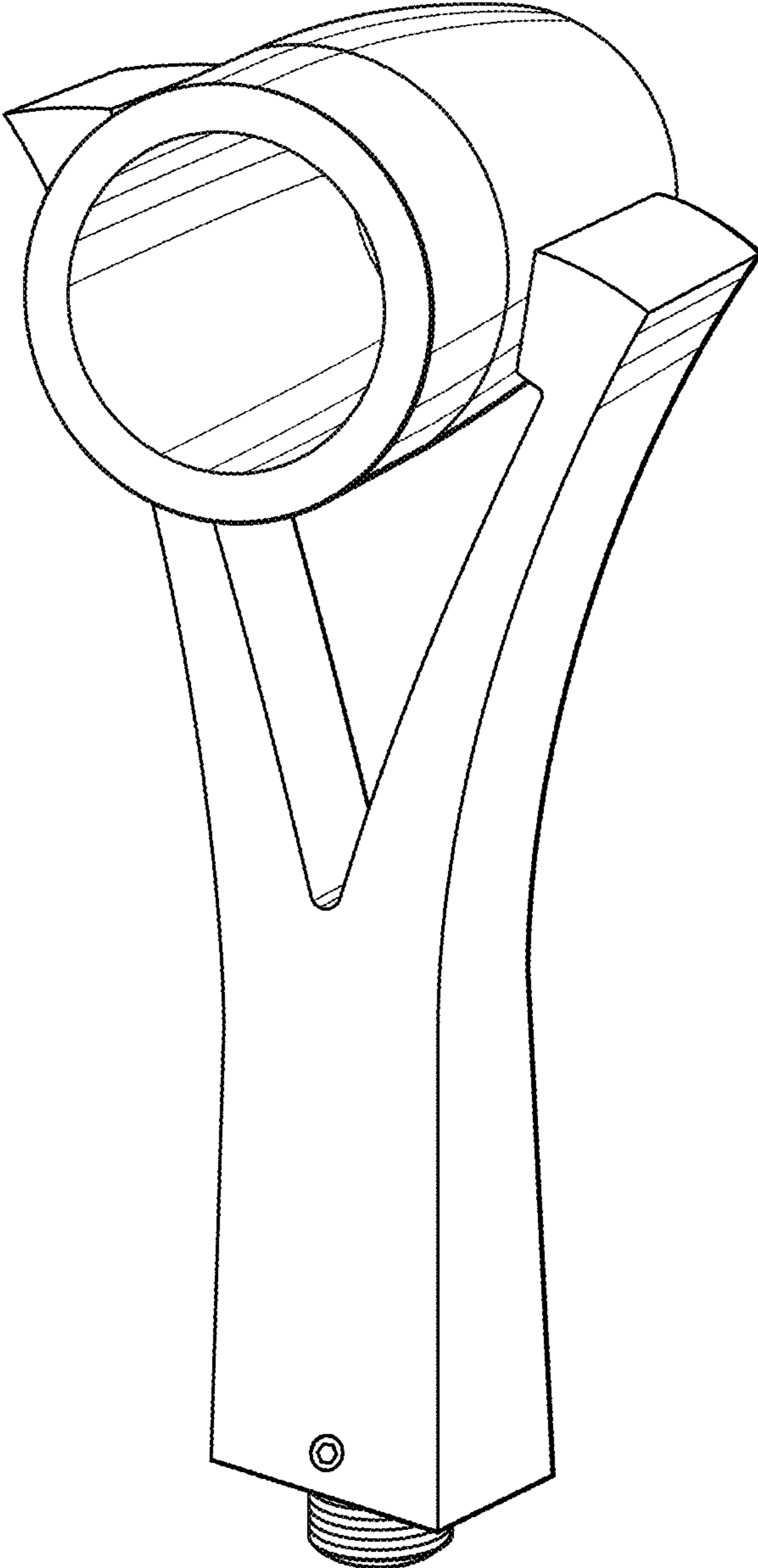


FIG. 1

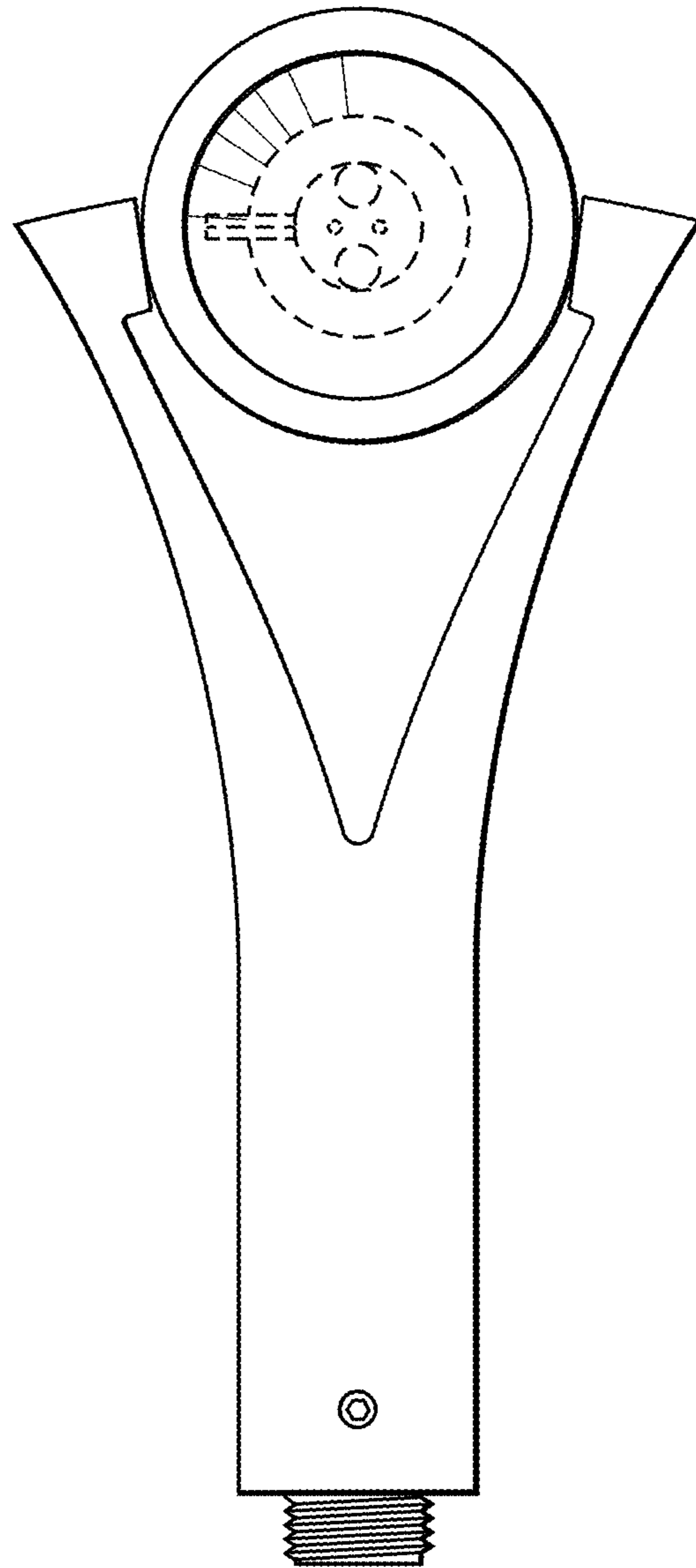


FIG. 2

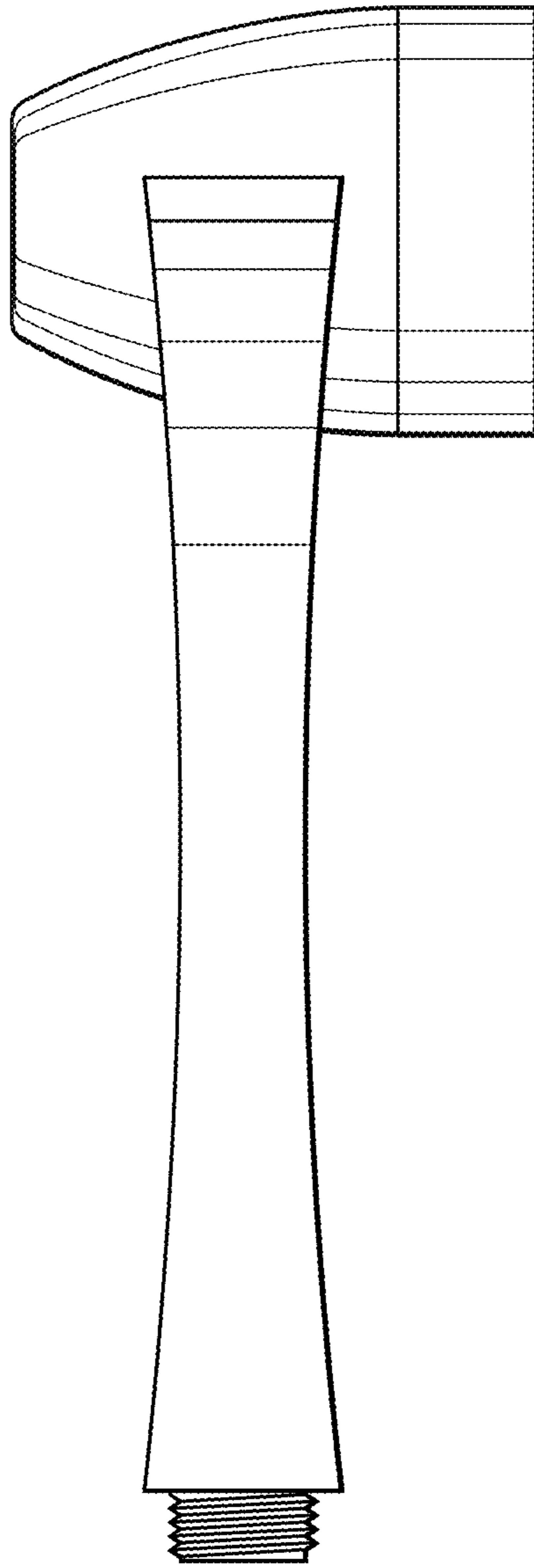


FIG. 3

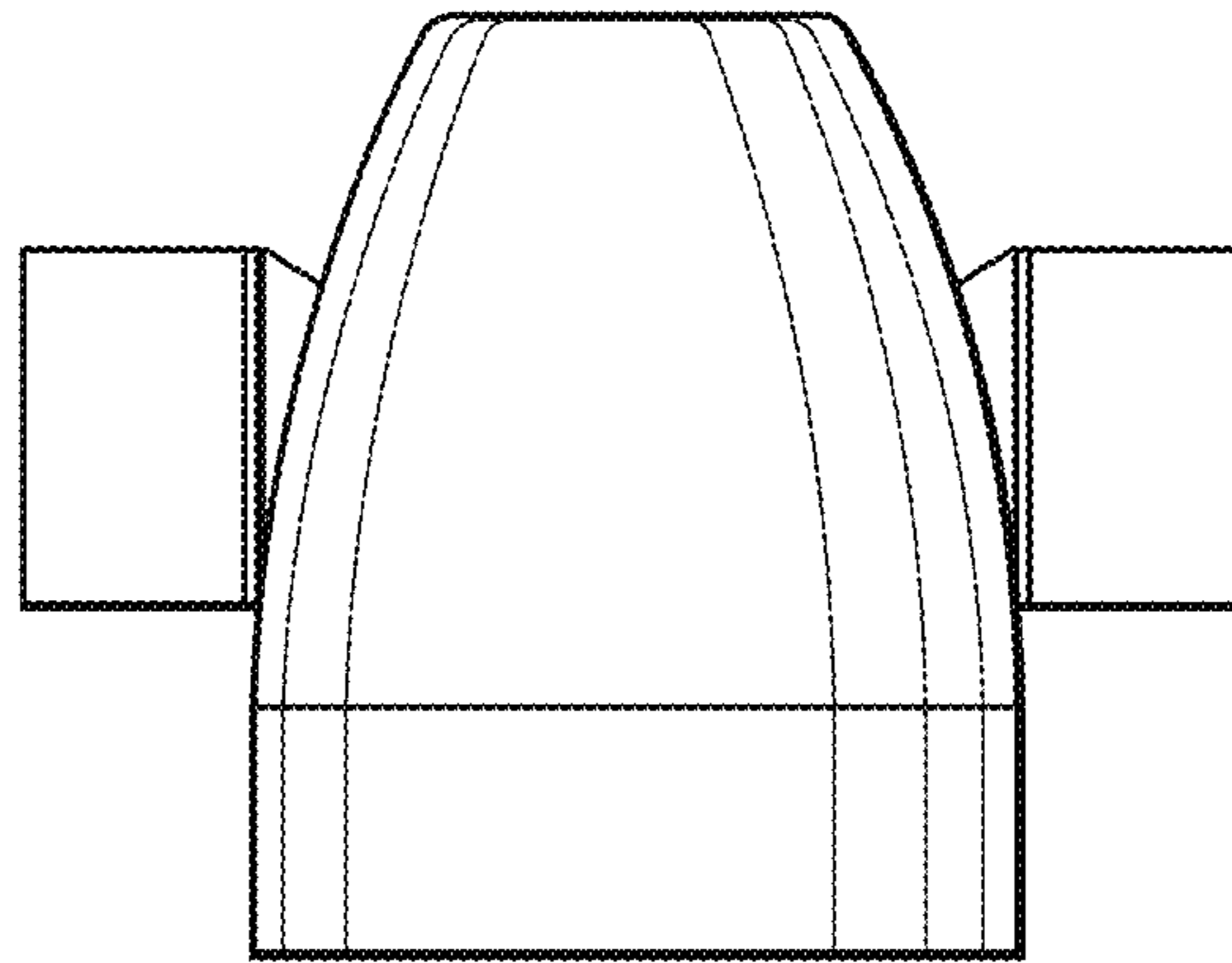


FIG. 4

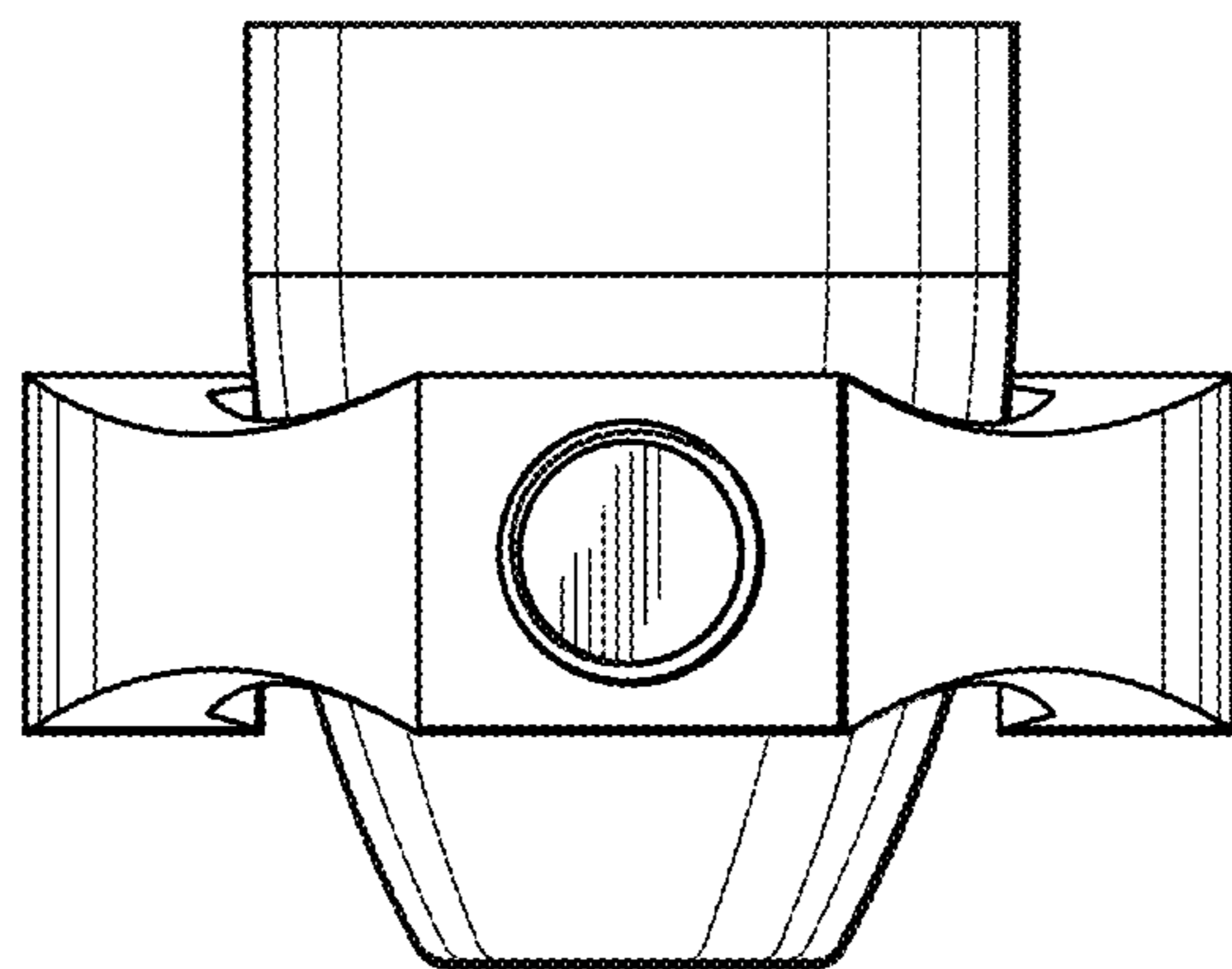


FIG. 6

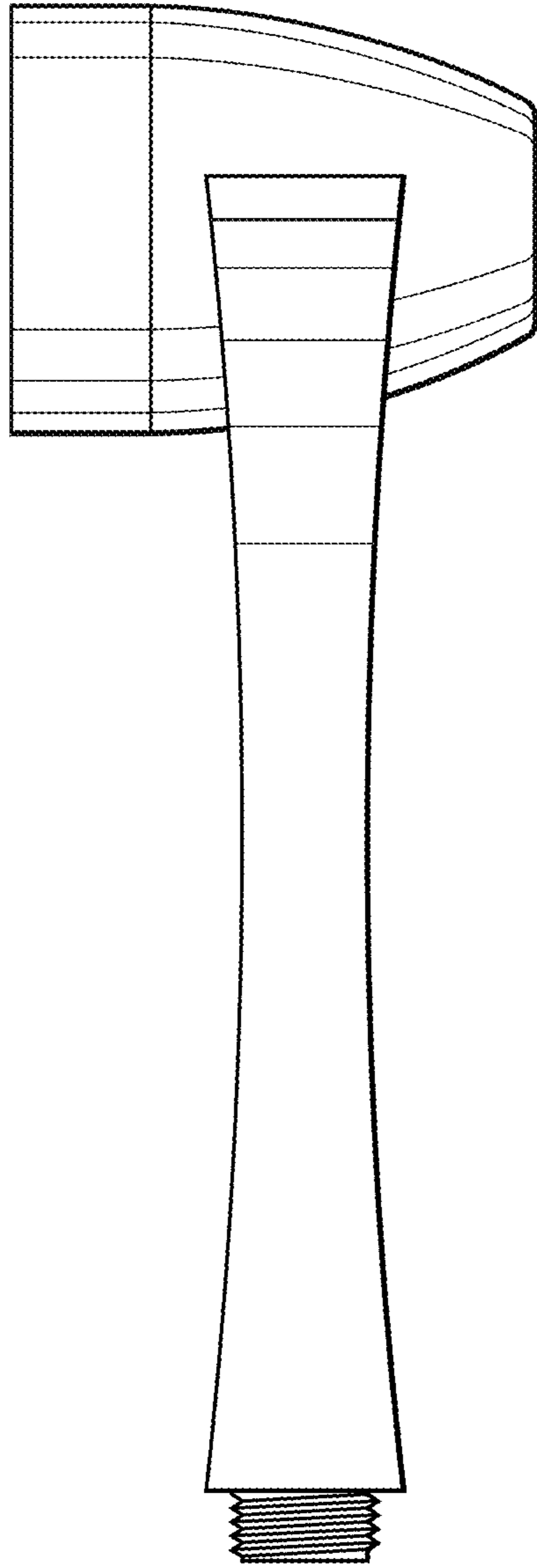


FIG. 5

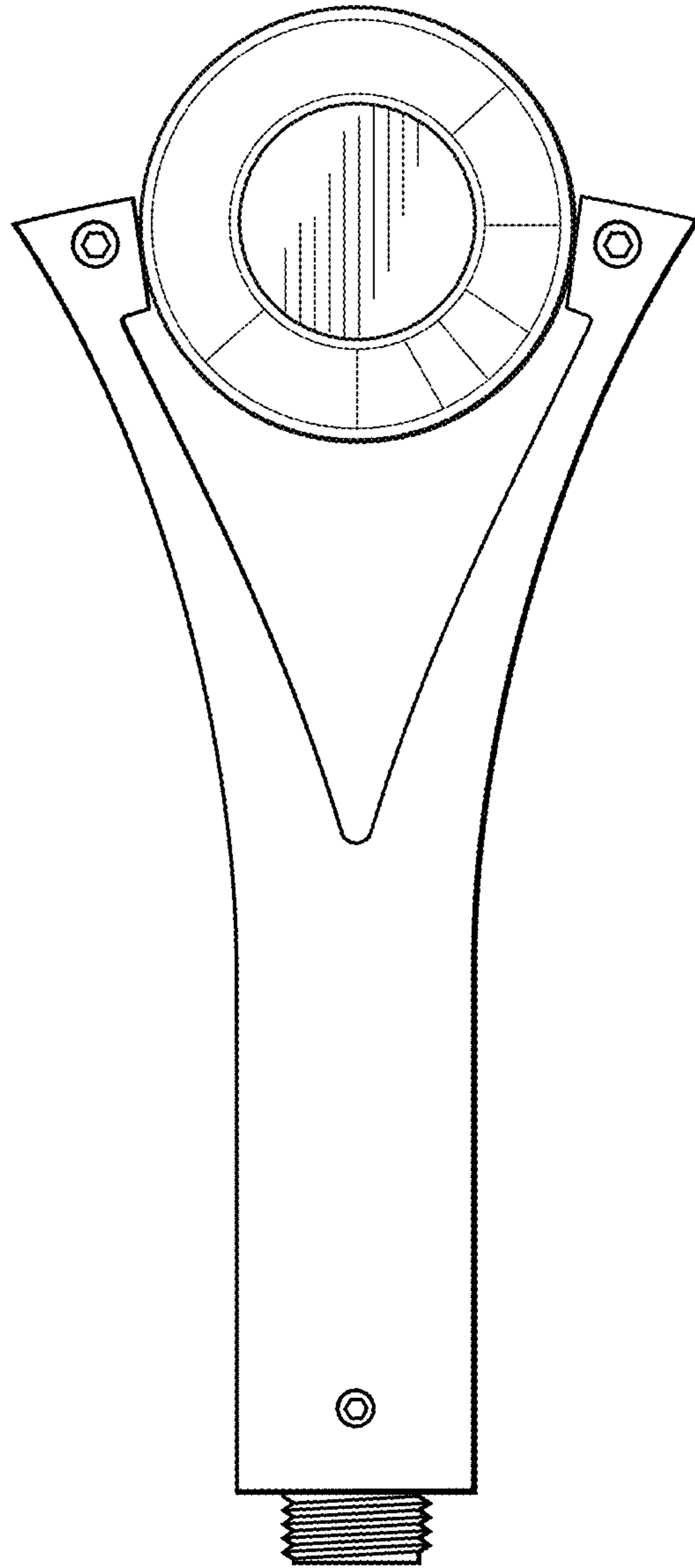


FIG. 7