



US00D822251S

(12) **United States Design Patent**  
**Chen**

(10) **Patent No.:** **US D822,251 S**

(45) **Date of Patent:** **\*\* Jul. 3, 2018**

(54) **LANDSCAPE LIGHT**

(71) Applicant: **Chia-Teh Chen**, Taipei (TW)

(72) Inventor: **Chia-Teh Chen**, Taipei (TW)

(\*\*) Term: **15 Years**

(21) Appl. No.: **29/616,545**

(22) Filed: **Sep. 7, 2017**

(51) **LOC (11) Cl.** ..... **26-05**

(52) **U.S. Cl.**  
USPC ..... **D26/67**

(58) **Field of Classification Search**  
USPC ..... D26/67, 68, 85, 119, 129, 131, 132  
CPC .... F21S 8/032; F21S 8/081; F21S 9/03; F21S  
9/037; F21W 2131/109; F21W 2111/02;  
F21W 2111/023; F21W 2111/06; F21V  
21/0824  
See application file for complete search history.

(56) **References Cited**

**U.S. PATENT DOCUMENTS**

D8,297 S *	4/1875	Tweeddale	.....	D26/68
D199,144 S *	9/1964	Daum	.....	D26/67
D302,329 S *	7/1989	Fretz	.....	D26/67
D310,887 S *	9/1990	Paris	.....	D26/68
D461,577 S *	8/2002	Cheong	.....	D26/67

D533,293 S *	12/2006	Chen	.....	D26/67
D653,785 S *	2/2012	Chen	.....	D26/68
D663,461 S *	7/2012	Schefers	.....	D26/68
D678,575 S *	3/2013	Chen	.....	D26/67
D707,380 S *	6/2014	Sooferian	.....	D26/68
D716,988 S *	11/2014	Sooferian	.....	D26/68

\* cited by examiner

*Primary Examiner* — Clare E Heflin

(74) *Attorney, Agent, or Firm* — Li & Cai Intellectual Property (USA) Office

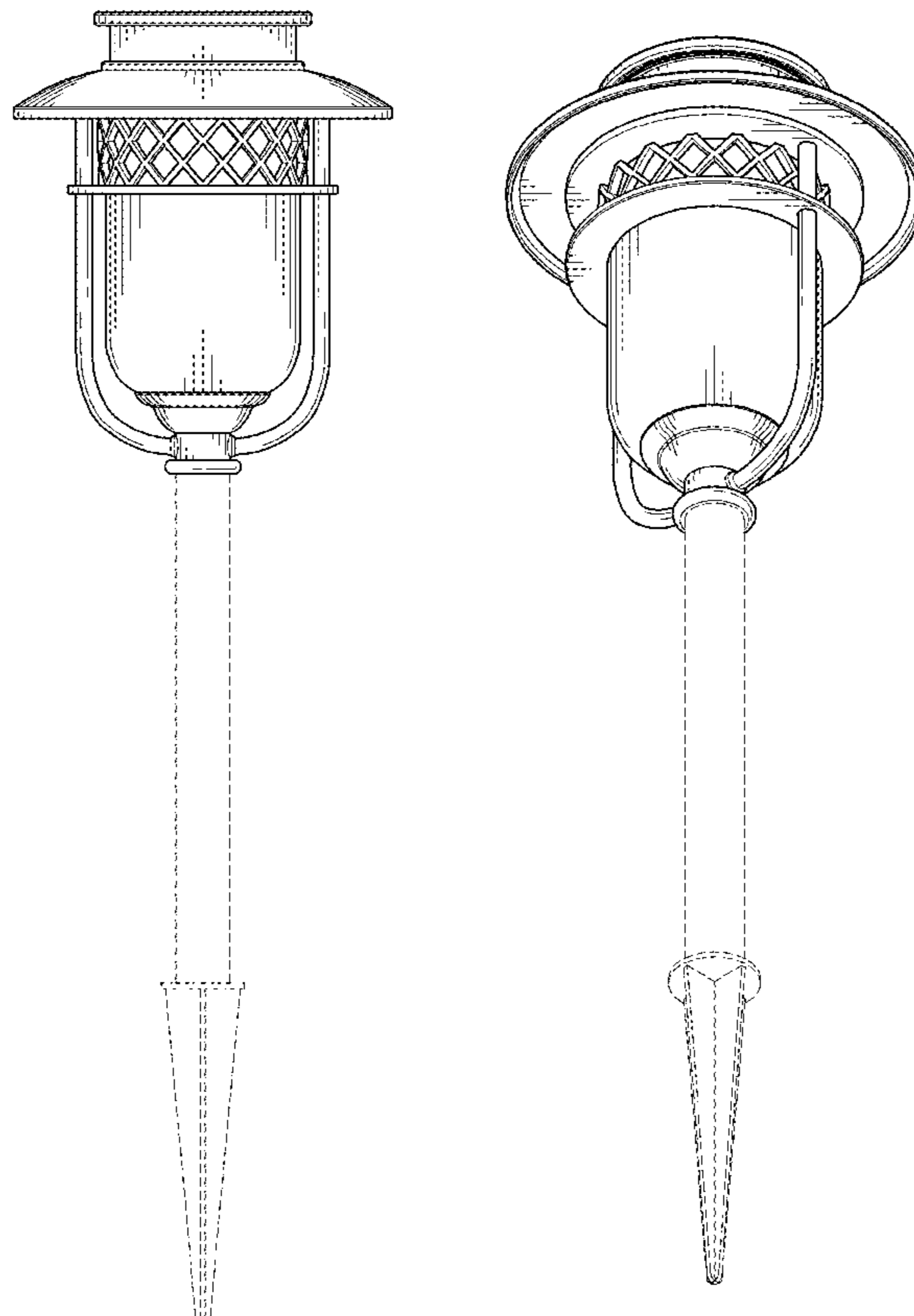
(57) **CLAIM**

The ornamental design for a “landscape light,” as shown and described.

**DESCRIPTION**

FIG. 1 is a top perspective view of a landscape light showing my new design;  
FIG. 2 is a front elevation view thereof;  
FIG. 3 is a rear elevation view thereof;  
FIG. 4 is a left side elevation view thereof;  
FIG. 5 is a right side elevation view thereof;  
FIG. 6 is a top plan view thereof;  
FIG. 7 is a bottom plan view thereof; and,  
FIG. 8 is a bottom perspective view thereof.  
The broken lines shown represent unclaimed subject matter and form no part of the claimed design.

**1 Claim, 5 Drawing Sheets**



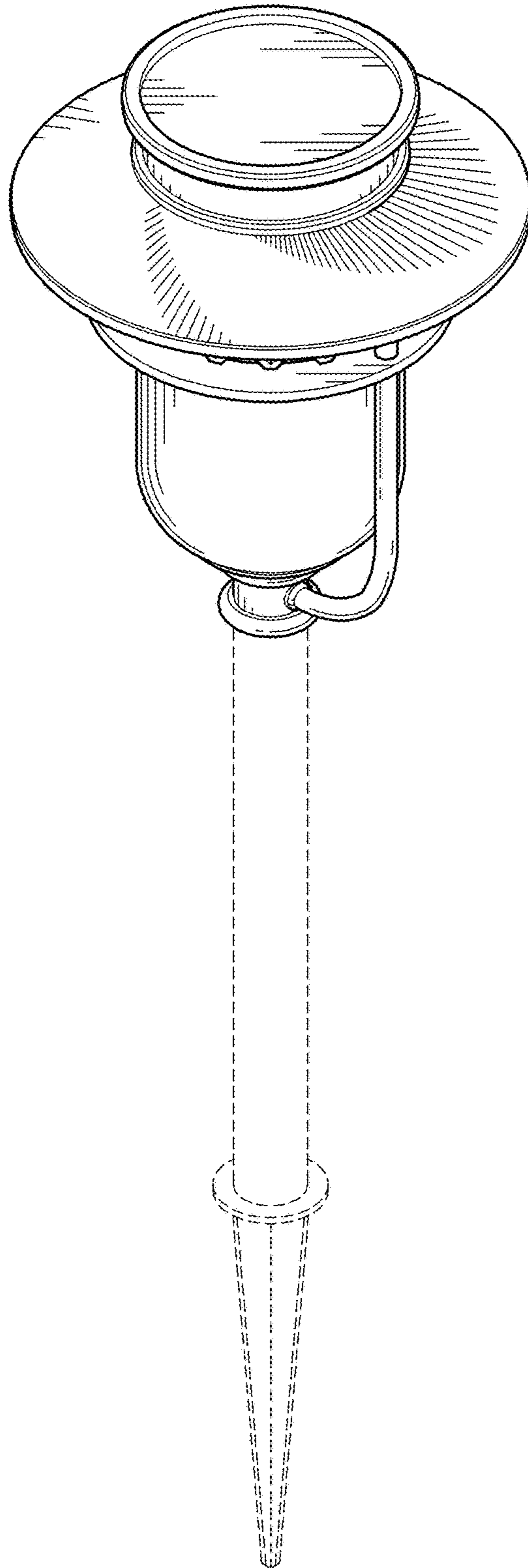


FIG. 1

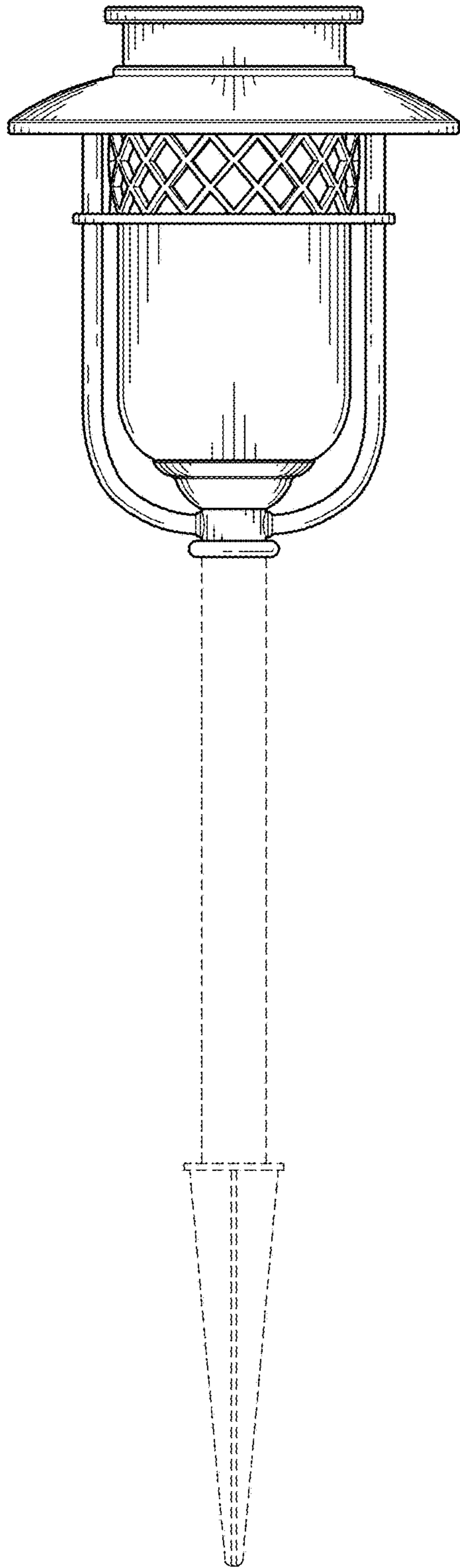


FIG. 2

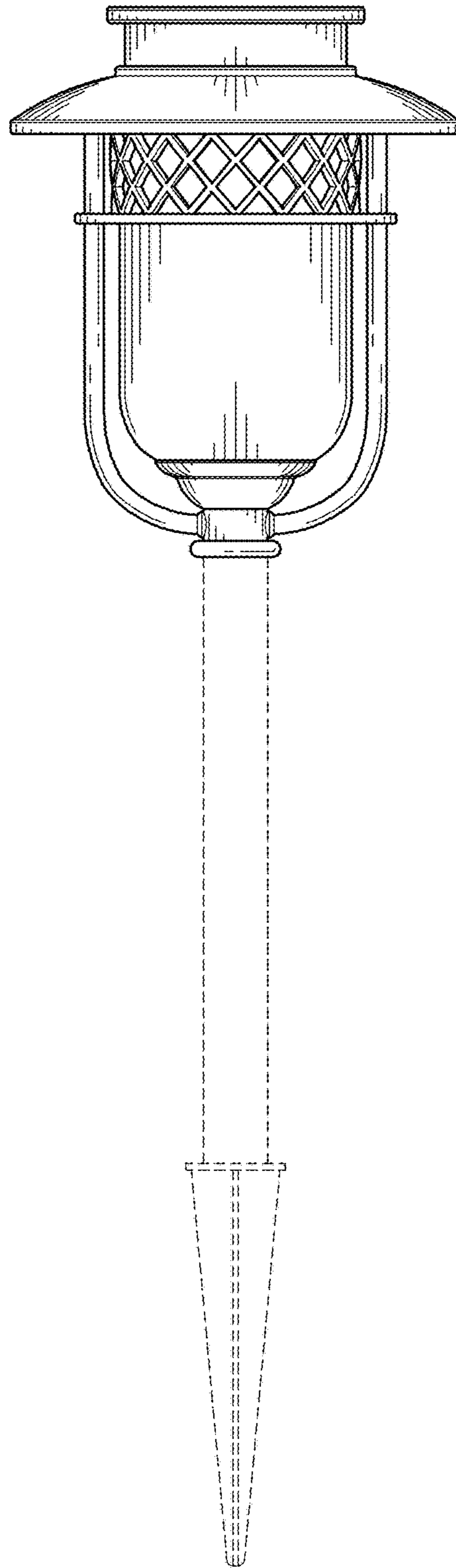


FIG. 3

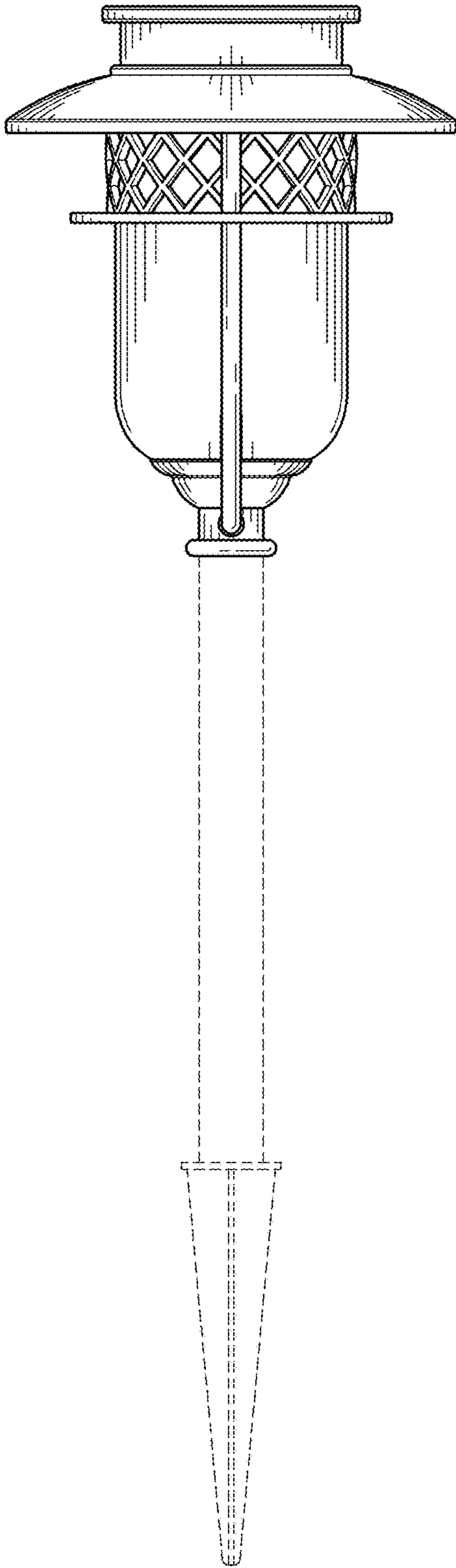


FIG. 4

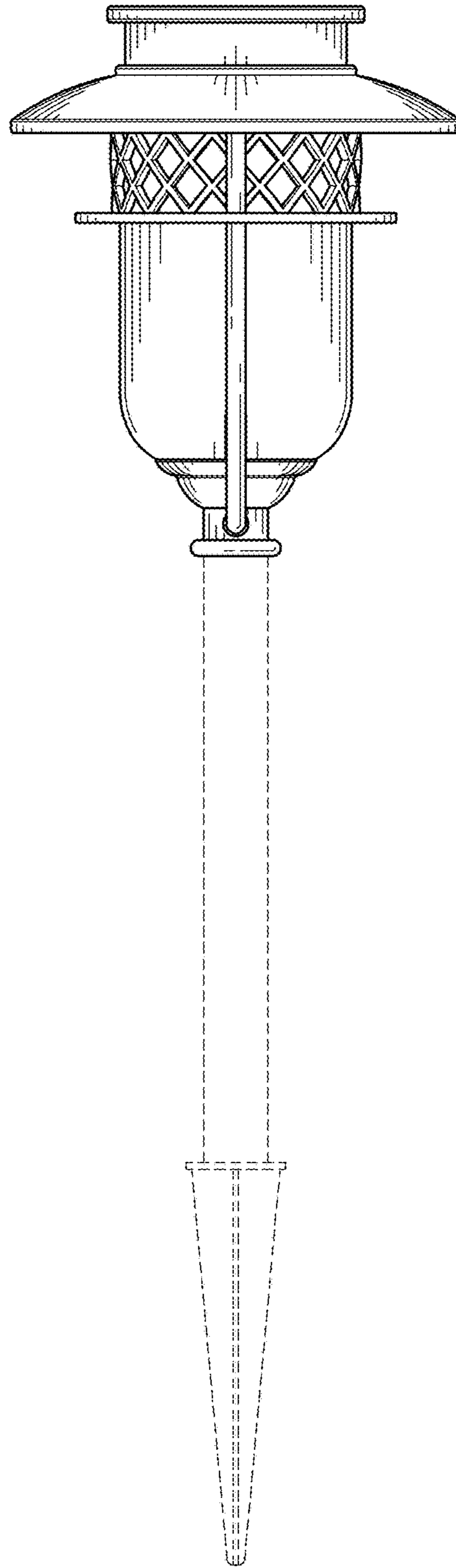


FIG. 5

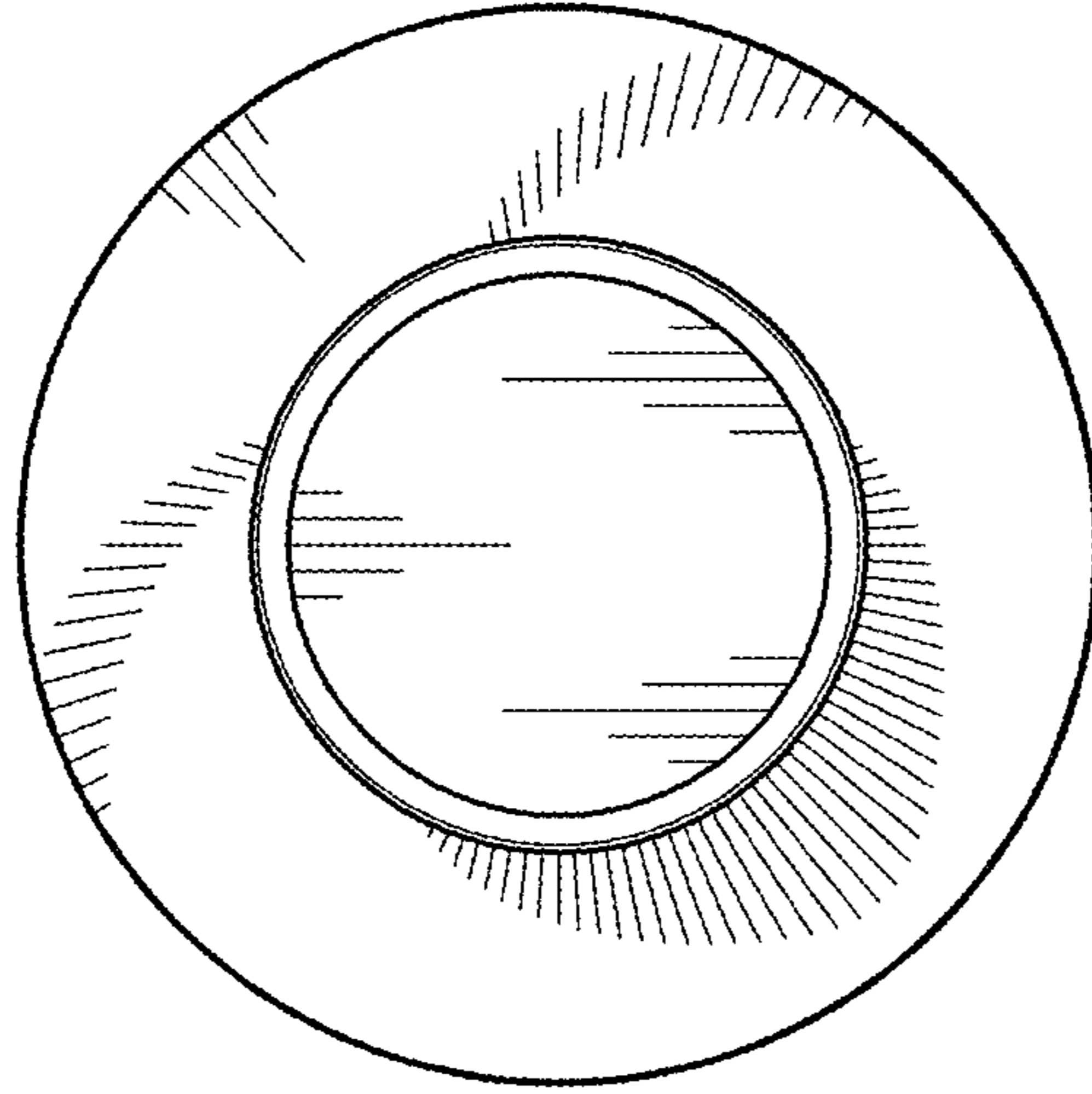


FIG. 6

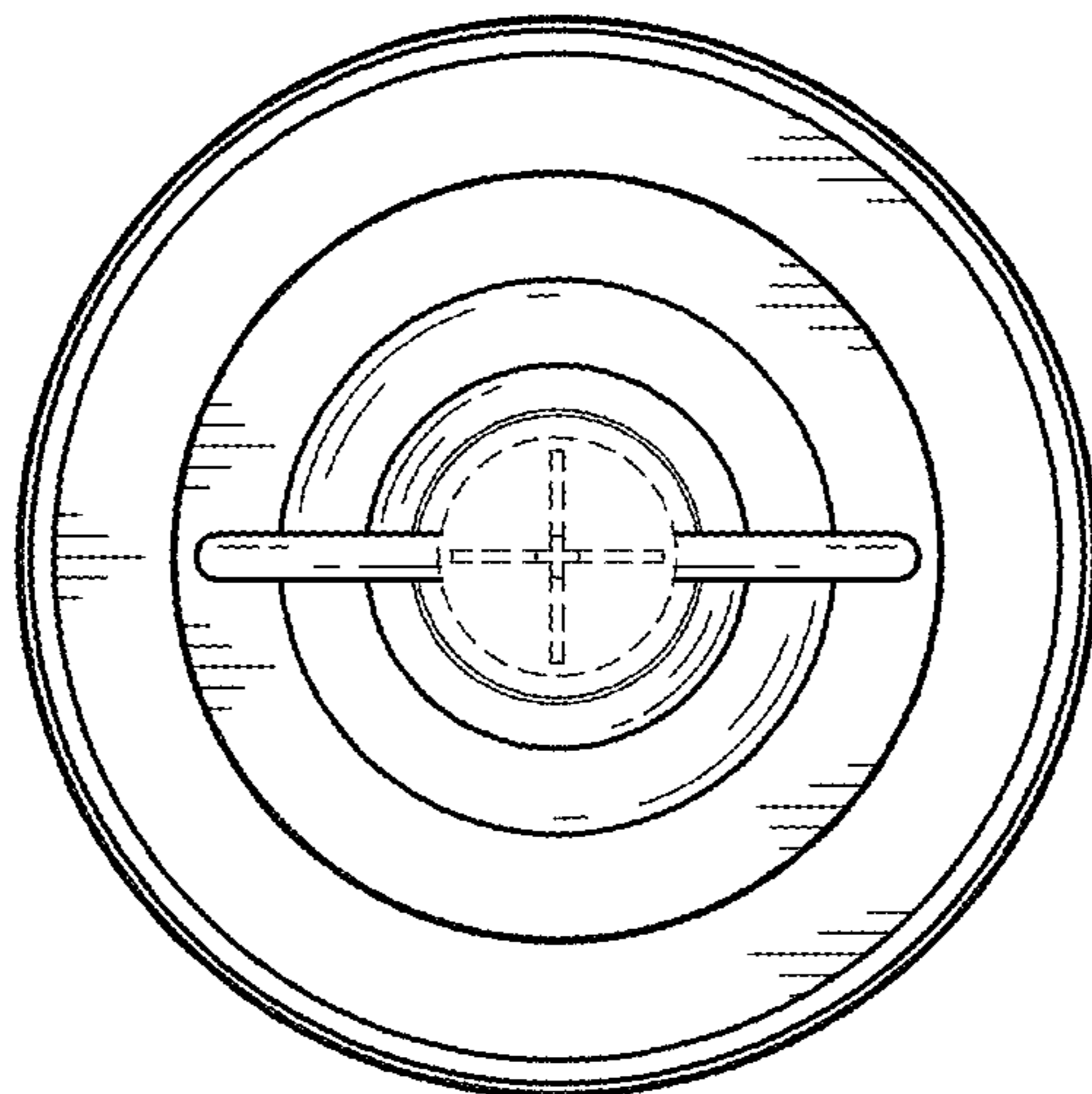


FIG. 7

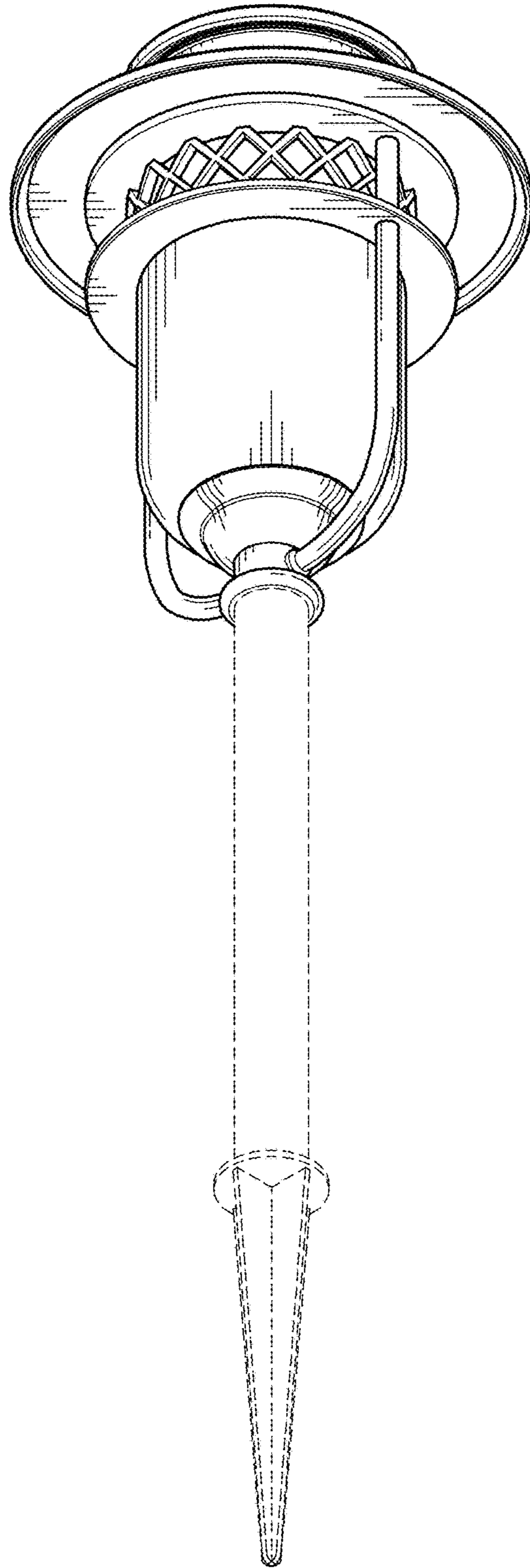


FIG. 8