



US00D822249S

(12) **United States Design Patent**  
**Fletcher et al.**

(10) **Patent No.:** **US D822,249 S**  
(45) **Date of Patent:** **\*\* Jul. 3, 2018**

(54) **LED LUMINAIRE HAVING A MOUNTING SYSTEM**

4,467,403 A 8/1984 May  
4,473,873 A 9/1984 Quiogue  
4,609,979 A 9/1986 Kristofek  
D296,244 S 6/1988 Donato

(71) Applicant: **EcoSense Lighting Inc.**, Los Angeles, CA (US)

(Continued)

(72) Inventors: **Robert Fletcher**, Pasadena, CA (US);  
**Edward R. Adams**, Englewood, TN (US)

**FOREIGN PATENT DOCUMENTS**

GB 751823 A 7/1956  
WO 94/01717 A1 1/1994

(73) Assignee: **ECOSENSE LIGHTING INC.**, Los Angeles, CA (US)

**OTHER PUBLICATIONS**

(\*\*) Term: **15 Years**

Fletcher et al., U.S. Appl. No. 14/816,827, filed Aug. 3, 2015, entitled "Lighting System Having a Mounting Device," 126pp.

(Continued)

(21) Appl. No.: **29/578,086**

*Primary Examiner* — Brian N. Vinson

(22) Filed: **Sep. 19, 2016**

(74) *Attorney, Agent, or Firm* — Jay M. Brown

(51) **LOC (11) Cl.** ..... **26-03**

(52) **U.S. Cl.**  
USPC ..... **D26/65**

(57) **CLAIM**

(58) **Field of Classification Search**  
USPC ..... D26/1, 24, 61, 63, 65, 85, 92  
CPC ..... F21V 21/14; F21V 15/01; F21V 14/02;  
F21V 21/30; F21V 21/00; F21V 14/00;  
F21S 8/00; F21S 8/003; F21S 8/043;  
F21S 9/043; F21Y 2105/001

The ornamental design for a LED luminaire having a mounting system, as shown and described.

See application file for complete search history.

**DESCRIPTION**

(56) **References Cited**

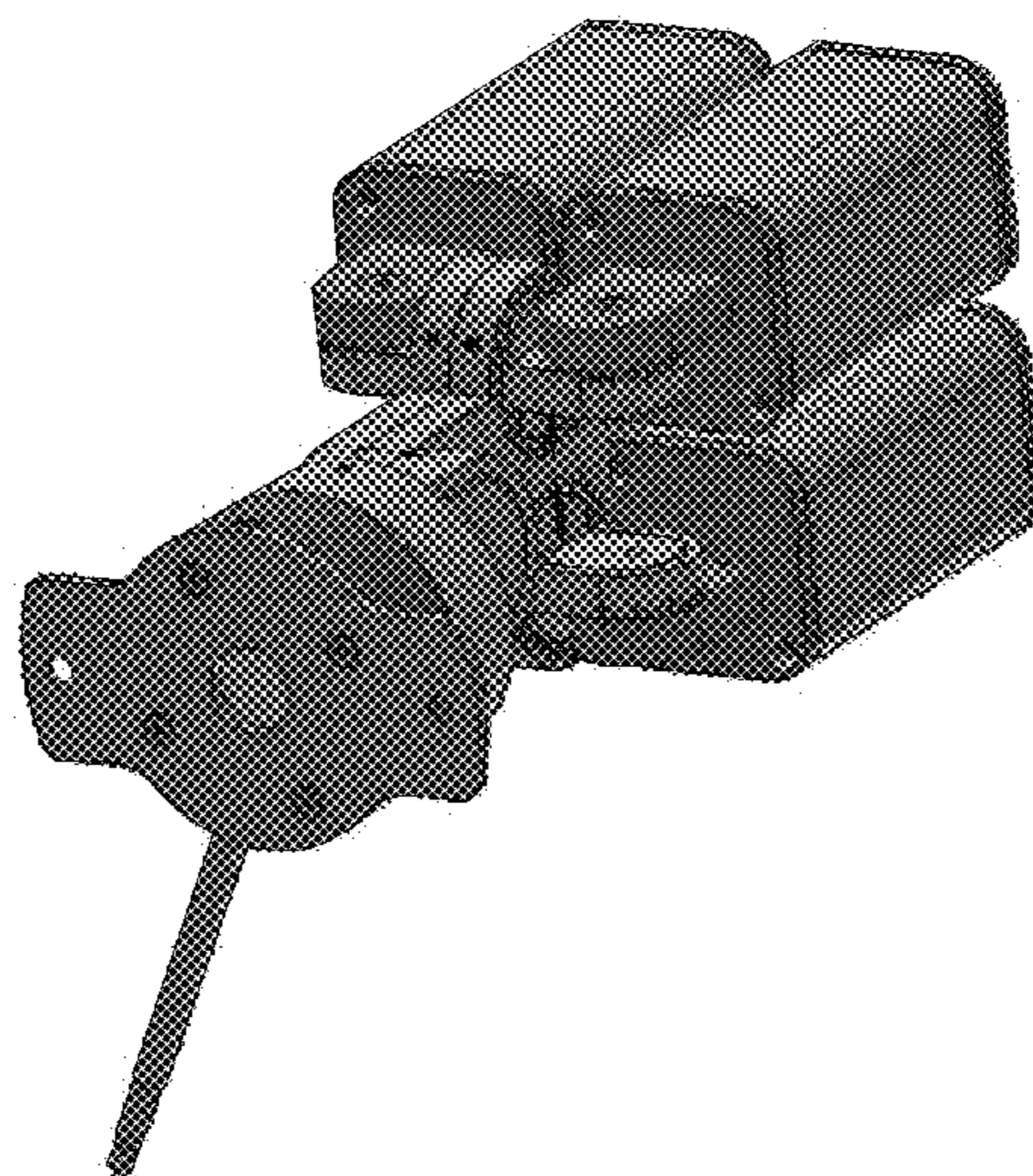
The patent or application file contains at least one drawing executed in color. Copies of this patent or patent application publication with color drawing(s) will be provided by the Office upon request and payment of the necessary fee.

**U.S. PATENT DOCUMENTS**

D122,711 S 9/1940 May  
2,458,967 A 1/1949 Wiedenhoft  
D205,082 S 6/1966 Morgan  
D214,582 S \* 7/1969 Routh ..... D26/63  
D231,559 S 4/1974 Darling  
D234,712 S 4/1975 Kennedy  
4,090,210 A 5/1978 Wehling  
D258,314 S 2/1981 Leon  
4,258,413 A 3/1981 Mausser  
4,345,306 A 8/1982 Summey  
4,423,471 A 12/1983 Gordin

FIG. 1 is a front elevational view of the LED luminaire having a mounting system, of the present invention; FIG. 2 is a back elevational view thereof; FIG. 3 is a top, back, left perspective view thereof; FIG. 4 is a top, back, right perspective view thereof; FIG. 5 is a left elevational view thereof; FIG. 6 is a right elevational view thereof; FIG. 7 is a top plan view thereof; and, FIG. 8 is a bottom plan view thereof.

**1 Claim, 8 Drawing Sheets**  
**(8 of 8 Drawing Sheet(s) Filed in Color)**



(56)

References Cited

U.S. PATENT DOCUMENTS

D296,717 S 7/1988 Kane  
 D300,876 S 4/1989 Sakai  
 4,833,579 A 5/1989 Skegin  
 4,882,667 A 11/1989 Skegin  
 D307,640 S 5/1990 Titmarsh  
 D315,030 S 2/1991 Jacobs  
 D316,303 S 4/1991 Layne  
 D319,512 S 8/1991 Lettenmayer  
 D325,645 S 4/1992 Grange  
 5,140,507 A 8/1992 Harwood  
 D330,944 S 11/1992 Wereley  
 D336,536 S 6/1993 Shaanan  
 5,325,281 A 6/1994 Harwood  
 D348,744 S 7/1994 Johnson  
 5,335,159 A 8/1994 Chen  
 5,381,323 A 1/1995 Osteen  
 5,450,303 A 9/1995 Markiewicz  
 5,504,665 A 4/1996 Osteen  
 D373,437 S 9/1996 Kira  
 5,584,574 A 12/1996 Haddad  
 5,599,091 A 2/1997 Kira  
 5,713,662 A 2/1998 Kira  
 5,716,126 A 2/1998 Meyer  
 6,022,130 A 2/2000 Donato  
 6,079,992 A 6/2000 Kuchar  
 6,439,749 B1 8/2002 Miller  
 6,902,200 B1 6/2005 Beadle  
 D539,459 S 3/2007 Benghozi  
 7,210,957 B2 5/2007 Mrakovich  
 D551,372 S 9/2007 Korpi  
 D552,779 S \* 10/2007 Starck ..... D26/63  
 D552,782 S 10/2007 Korpi  
 D574,987 S 8/2008 Waldmann  
 D583,975 S 12/2008 Kushinskaya  
 D590,085 S 4/2009 Irvine  
 D610,729 S 2/2010 Kushinskaya  
 D618,374 S 6/2010 Guercio  
 D625,870 S \* 10/2010 Feigenbaum ..... D26/63  
 7,810,951 B1 10/2010 Lee  
 8,002,438 B2 8/2011 Ko  
 D645,183 S \* 9/2011 Cucinella ..... D26/63  
 D645,594 S \* 9/2011 Grawe ..... D26/63  
 D652,870 S \* 1/2012 Wu ..... D19/69  
 8,104,934 B2 1/2012 Probasco  
 D654,207 S 2/2012 Fletcher

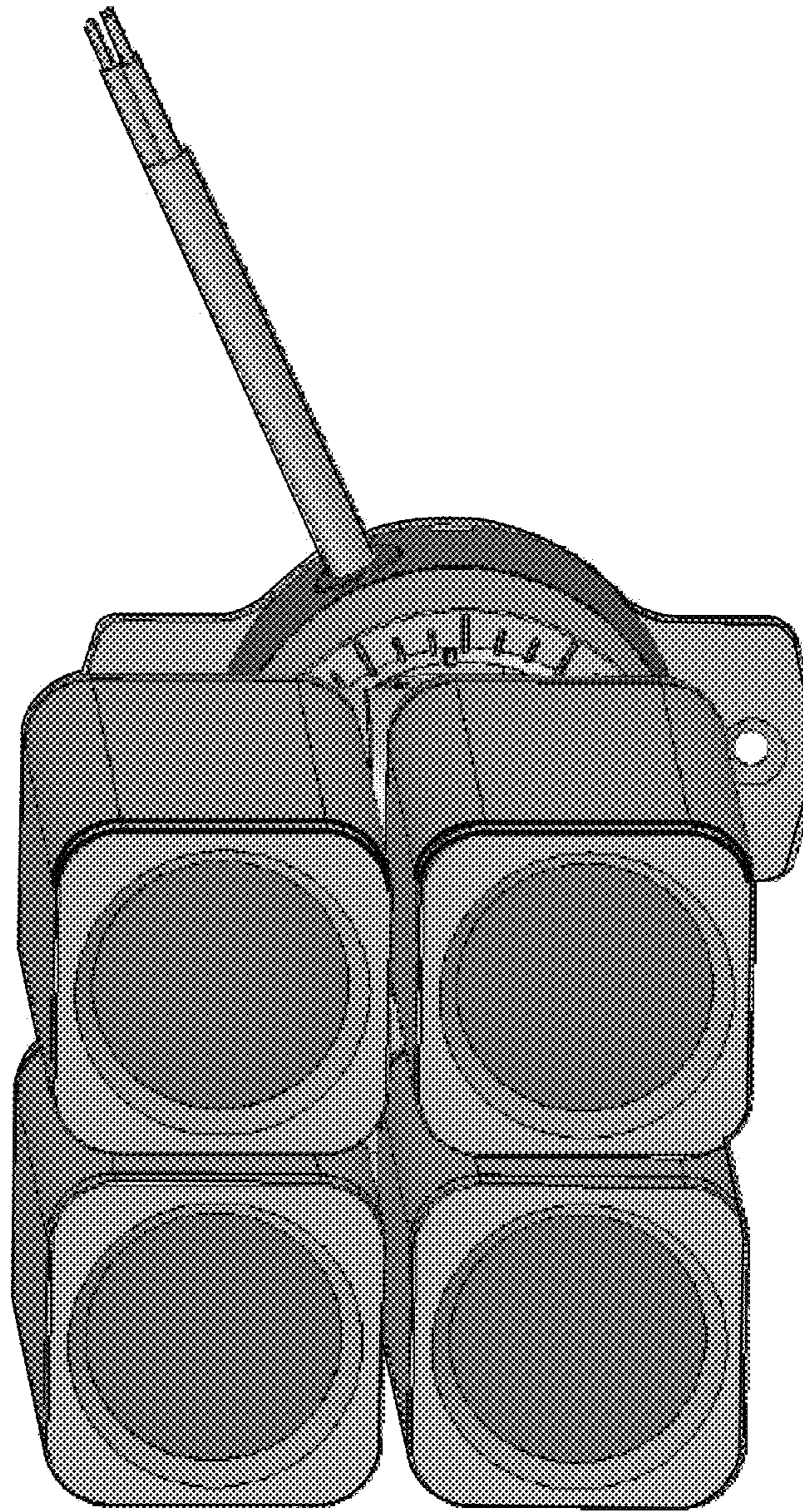
D655,840 S 3/2012 Heaton  
 D655,842 S \* 3/2012 Sabernig ..... D26/63  
 8,142,047 B2 3/2012 Acampora  
 D659,871 S 5/2012 Lee  
 8,182,122 B2 5/2012 Chiu  
 3,297,808 A1 10/2012 Yuan  
 8,297,792 B1 10/2012 Wang  
 8,360,621 B2 1/2013 Avila  
 D690,859 S 10/2013 Mollaghaffari  
 D694,925 S \* 12/2013 Fukasawa ..... D26/63  
 D700,728 S \* 3/2014 Fukasawa ..... D26/63  
 8,858,028 B2 10/2014 Kim  
 D724,773 S \* 3/2015 Ryu ..... D26/63  
 D779,697 S \* 2/2017 Fletcher ..... D26/65  
 D782,093 S \* 3/2017 Fletcher ..... D26/65  
 D782,094 S \* 3/2017 Fletcher ..... D26/65  
 2004/0090781 A1 5/2004 Yeoh  
 2009/0318770 A1 12/2009 Marka et al.  
 2010/0254147 A1 10/2010 Tsao

OTHER PUBLICATIONS

Fletcher et al., U.S. Appl. No. 29/532,383, filed Jul. 6, 2015, entitled "LED Luminaire Having a Mounting System," 10pp.  
 Fletcher et al., U.S. Appl. No. 29/533,666, filed Jul. 20, 2015, entitled "LED Luminaire Having a Mounting System," 10pp.  
 Fletcher et al., U.S. Appl. No. 29/533,667, filed Jul. 20, 2015, entitled "LED Luminaire Having a Mounting System," 10pp.  
 Fletcher et al., U.S. Appl. No. 29/533,635, filed Jul. 20, 2015, entitled "LED Luminaire Having a Mounting System" 10pp.  
 Fletcher et al., U.S. Appl. No. 15/268,781, filed Sep. 19, 2016, entitled "Lighting System Having a Mounting Device," 93pp.  
 Fletcher et al., U.S. Appl. No. 29/578,082, filed Sep. 19, 2016, entitled "LED Luminaire Having a Mounting System," 10pp.  
 Fletcher et al., U.S. Appl. No. 29/578,094, filed Sep. 19, 2016, entitled "LED Luminaire Having a Mounting System," 10pp.  
 Fletcher et al., U.S. Appl. No. 29/578,095, filed Sep. 19, 2016, entitled "LED Luminaire Having a Mounting System," 10pp.  
 International Search Report and Opinion dated Nov. 16, 2017 in PCT International patent application No. PCT/US2017/051939 filed Sep. 16, 2017; 8pp.  
 PCT International patent application No. PCT/US2017/051939 filed Sep. 16, 2017; 89pp.  
 Fletcher et al., U.S. Appl. No. 15/481,223, filed Apr. 6, 2017, 159pp.

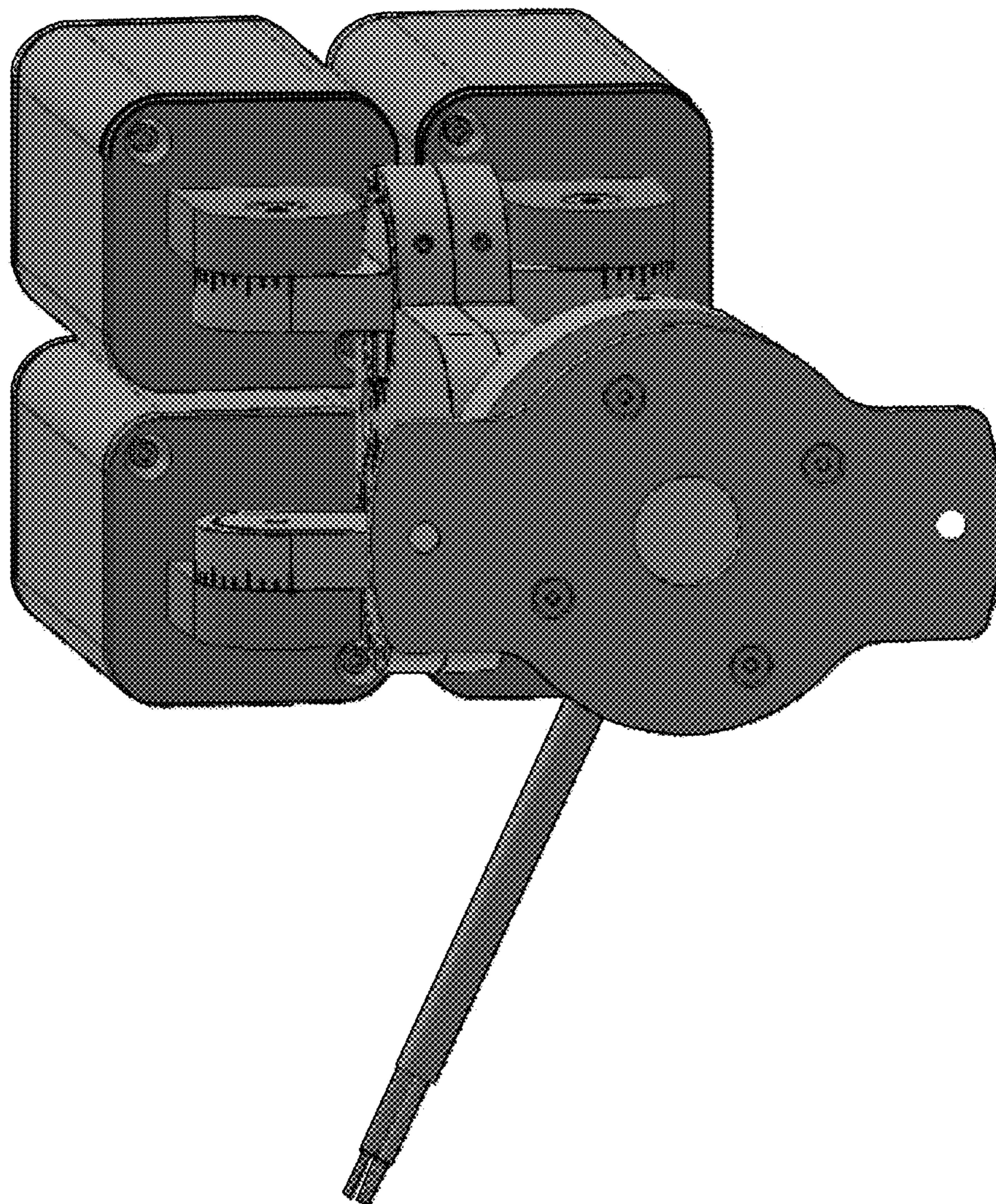
\* cited by examiner





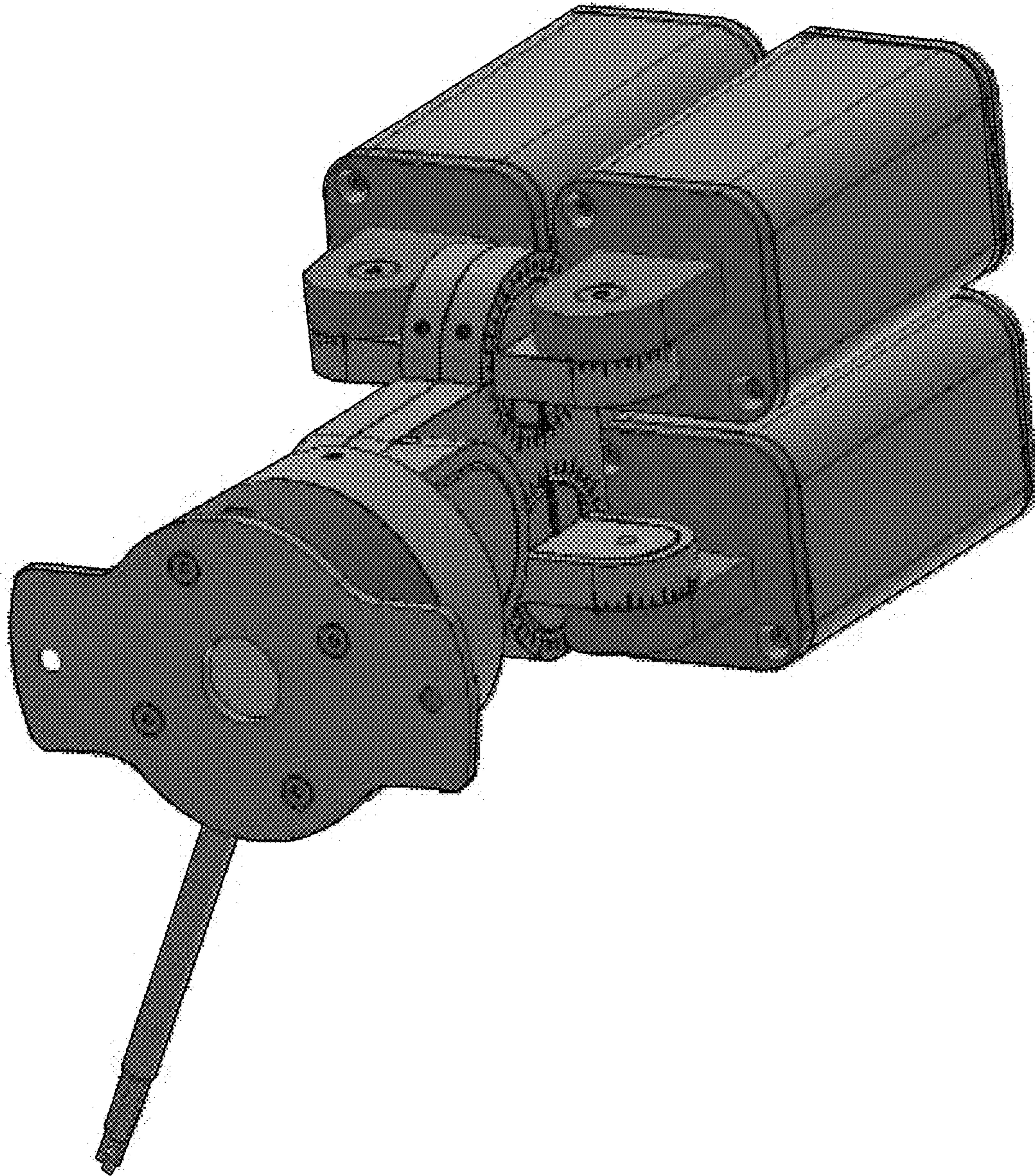
**FIG. 1**





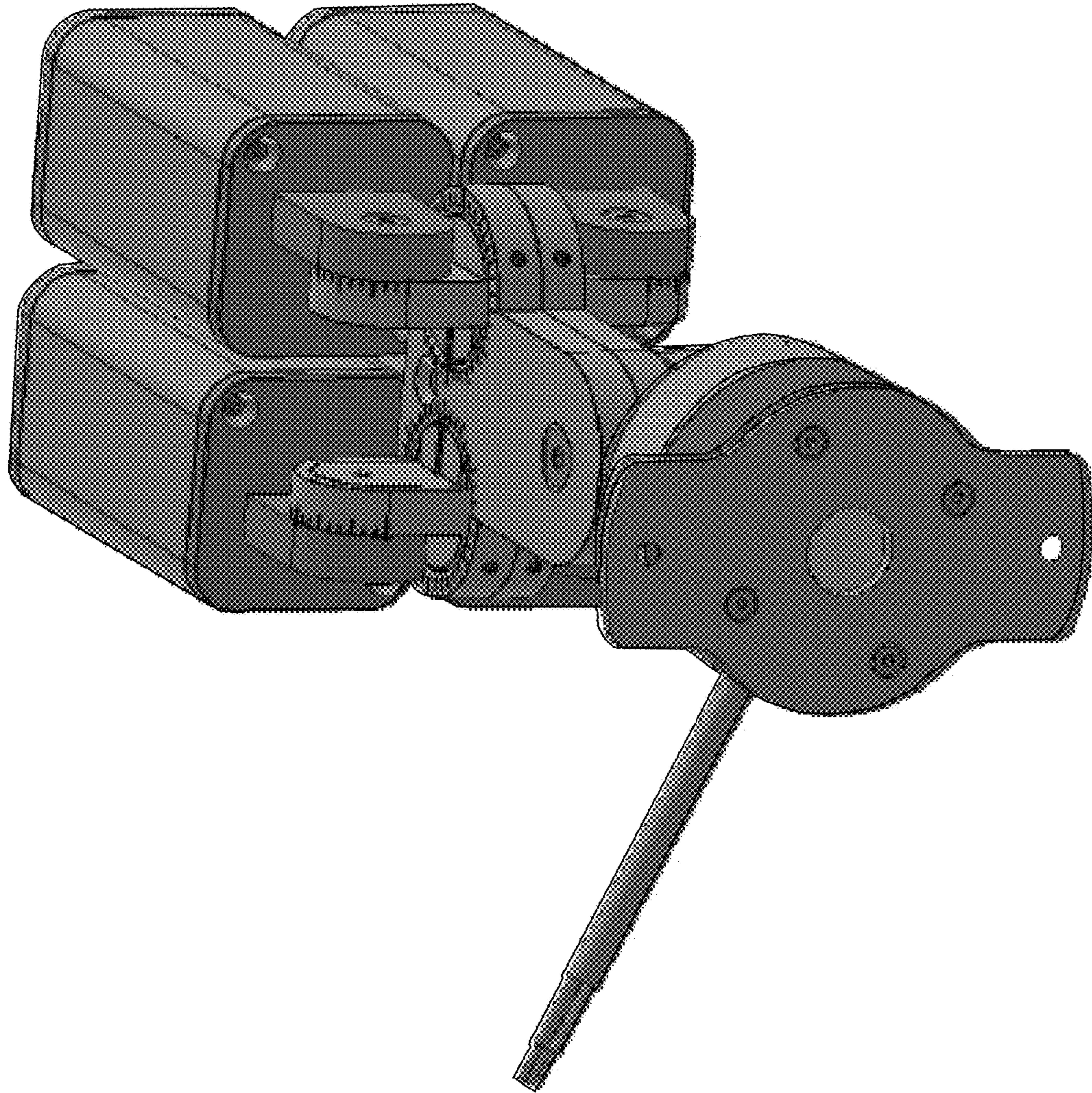
**FIG. 2**





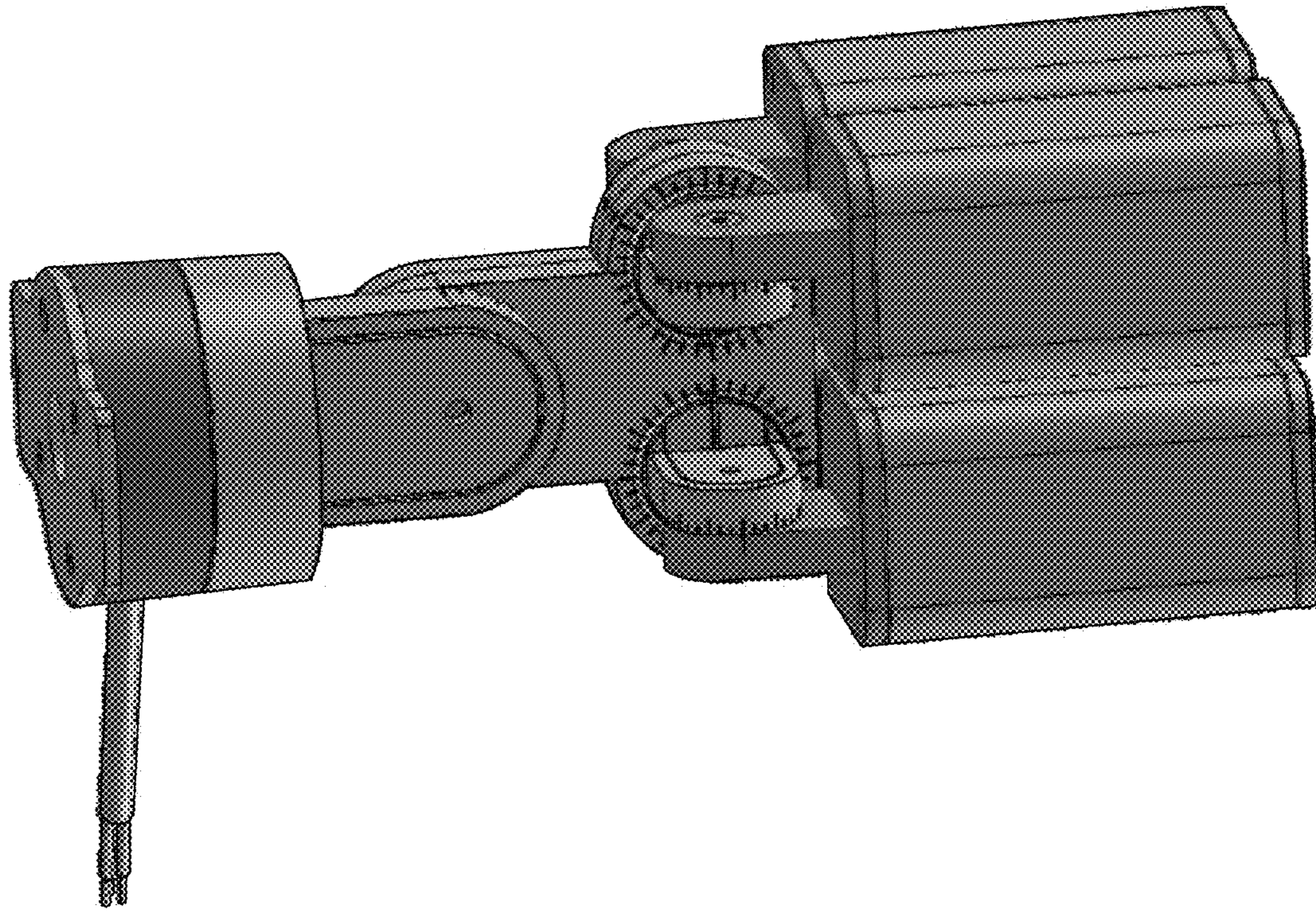
**FIG. 3**





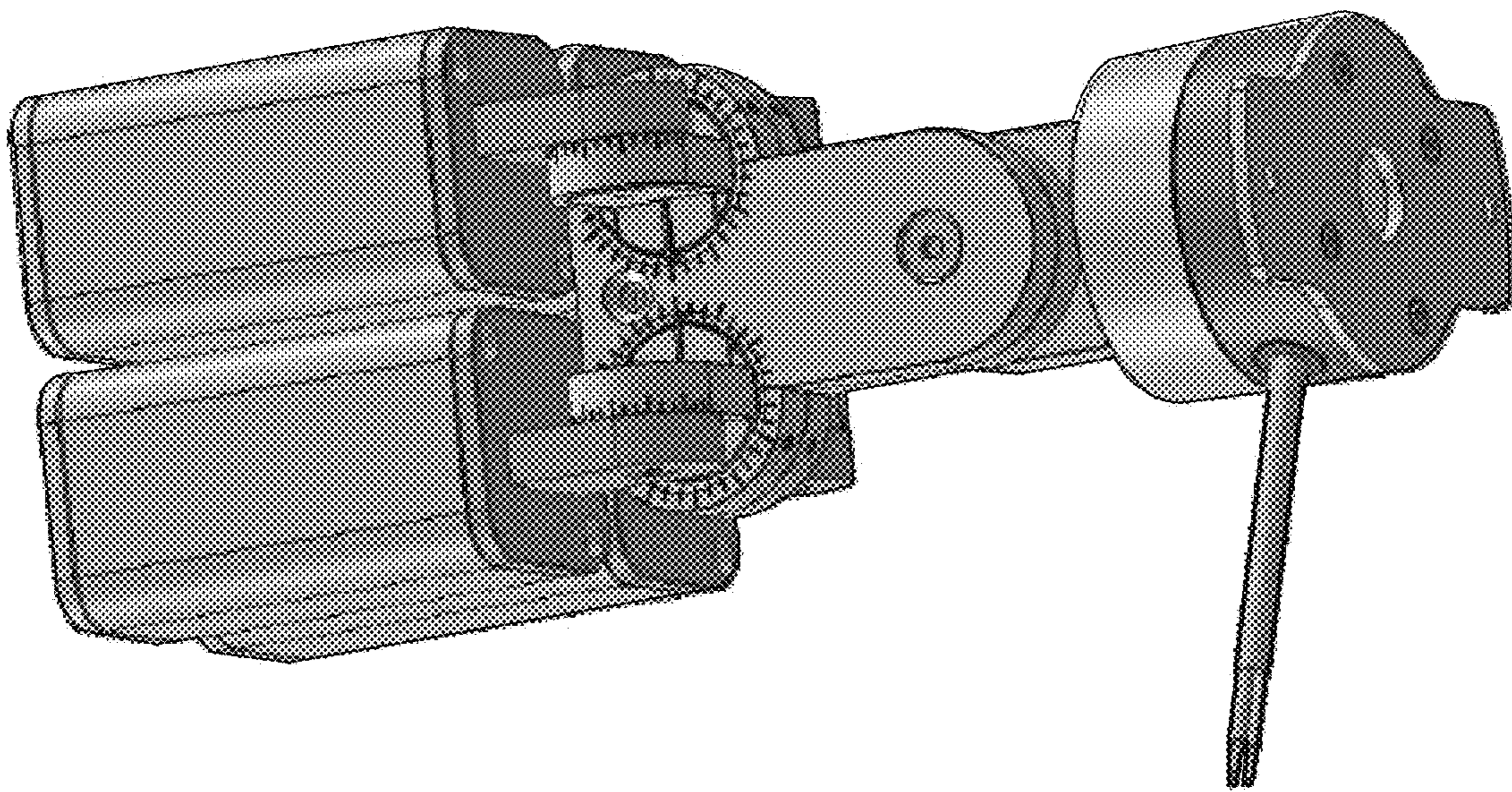
**FIG. 4**





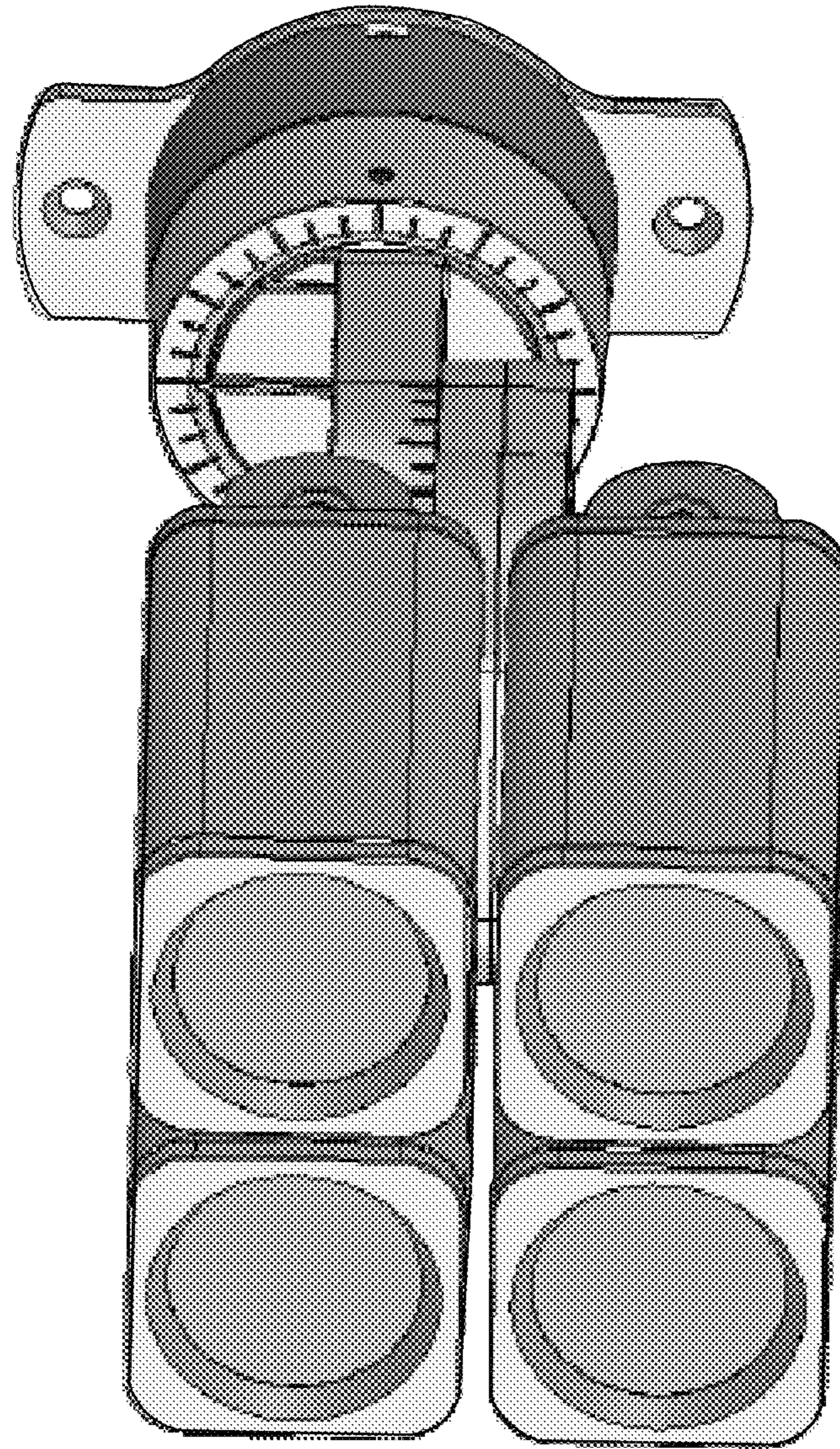
**FIG. 5**





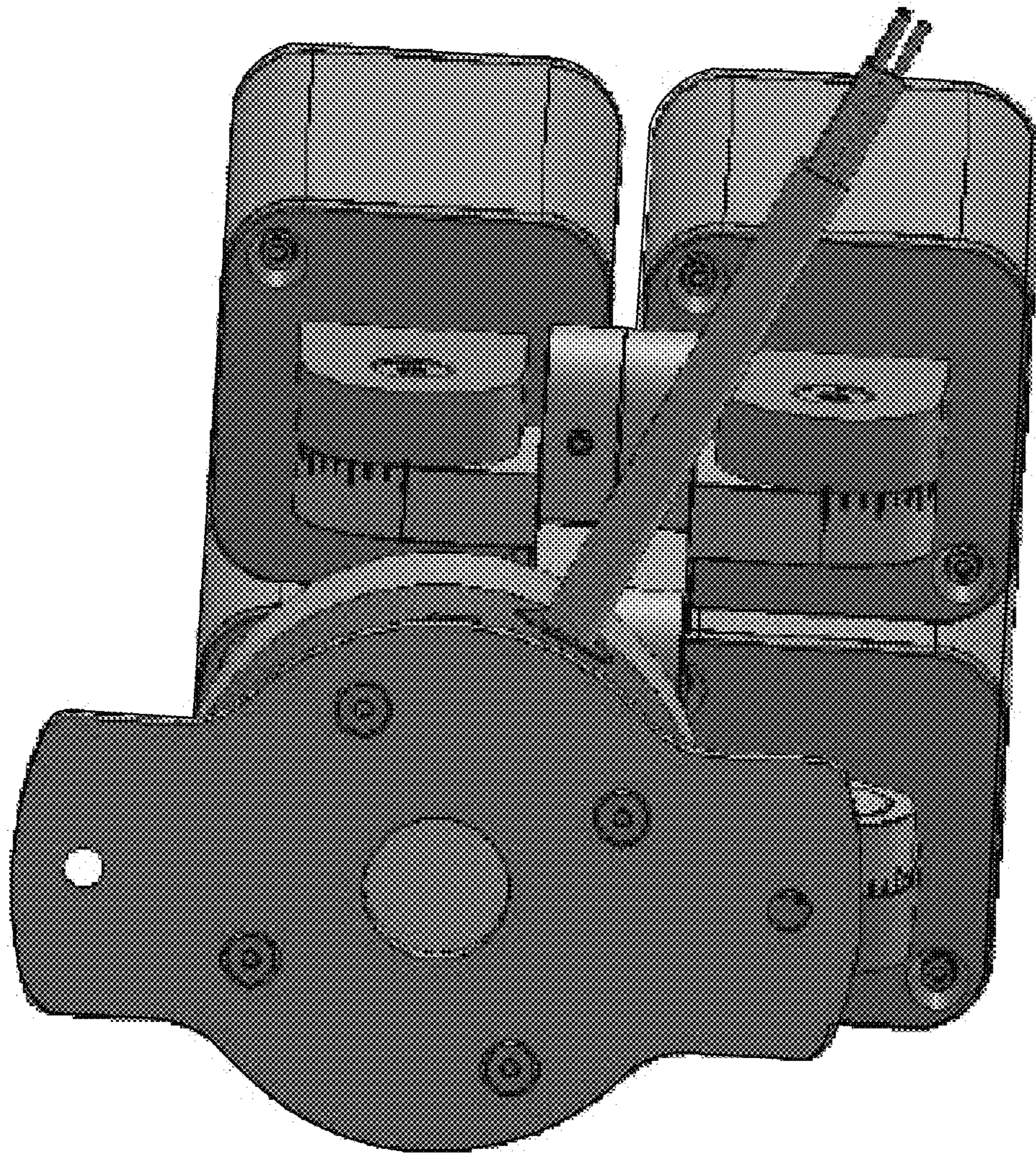
*FIG. 6*





**FIG. 7**





**FIG. 8**