



US00D822248S

(12) **United States Design Patent** (10) **Patent No.:** **US D822,248 S**
Fletcher et al. (45) **Date of Patent:** **** Jul. 3, 2018**

(54) **LED LUMINAIRE HAVING A MOUNTING SYSTEM**

1,467,403 A 8/1984 May
1,473,873 A 9/1984 Quiogue
1,609,979 A 9/1986 Kristofek

(71) Applicant: **EcoSense Lighting Inc.**, Los Angeles, CA (US)

(Continued)

FOREIGN PATENT DOCUMENTS

(72) Inventors: **Robert Fletcher**, Pasadena, CA (US);
Edward R. Adams, Englewood, TN (US)

GB 751823 A 7/1956
WO 94/01717 A1 1/1994

(73) Assignee: **ECOSENSE LIGHTING INC.**, Los Angeles, CA (US)

OTHER PUBLICATIONS

(**) Term: **15 Years**

Fletcher et al., U.S. Appl. No. 14/816,827, filed Aug. 3, 2015, entitled "Lighting System Having a Mounting Device," 126pp.

(Continued)

(21) Appl. No.: **29/578,082**

Primary Examiner — Brian N Vinson

(22) Filed: **Sep. 19, 2016**

(74) *Attorney, Agent, or Firm* — Jay M. Brown

(51) **LOC (11) Cl.** **26-03**

(52) **U.S. Cl.**

(57) **CLAIM**

USPC **D26/65**

The ornamental design for a LED luminaire having a mounting system, as shown and described.

(58) **Field of Classification Search**

DESCRIPTION

USPC D26/1, 24, 61, 63, 65, 85, 92
CPC F21V 21/14; F21V 15/01; F21V 14/02;
F21V 21/30; F21V 21/00; F21V 14/00;
F21S 8/00; F21S 8/003; F21S 8/043;
F21S 9/043; F21Y 2105/001

See application file for complete search history.

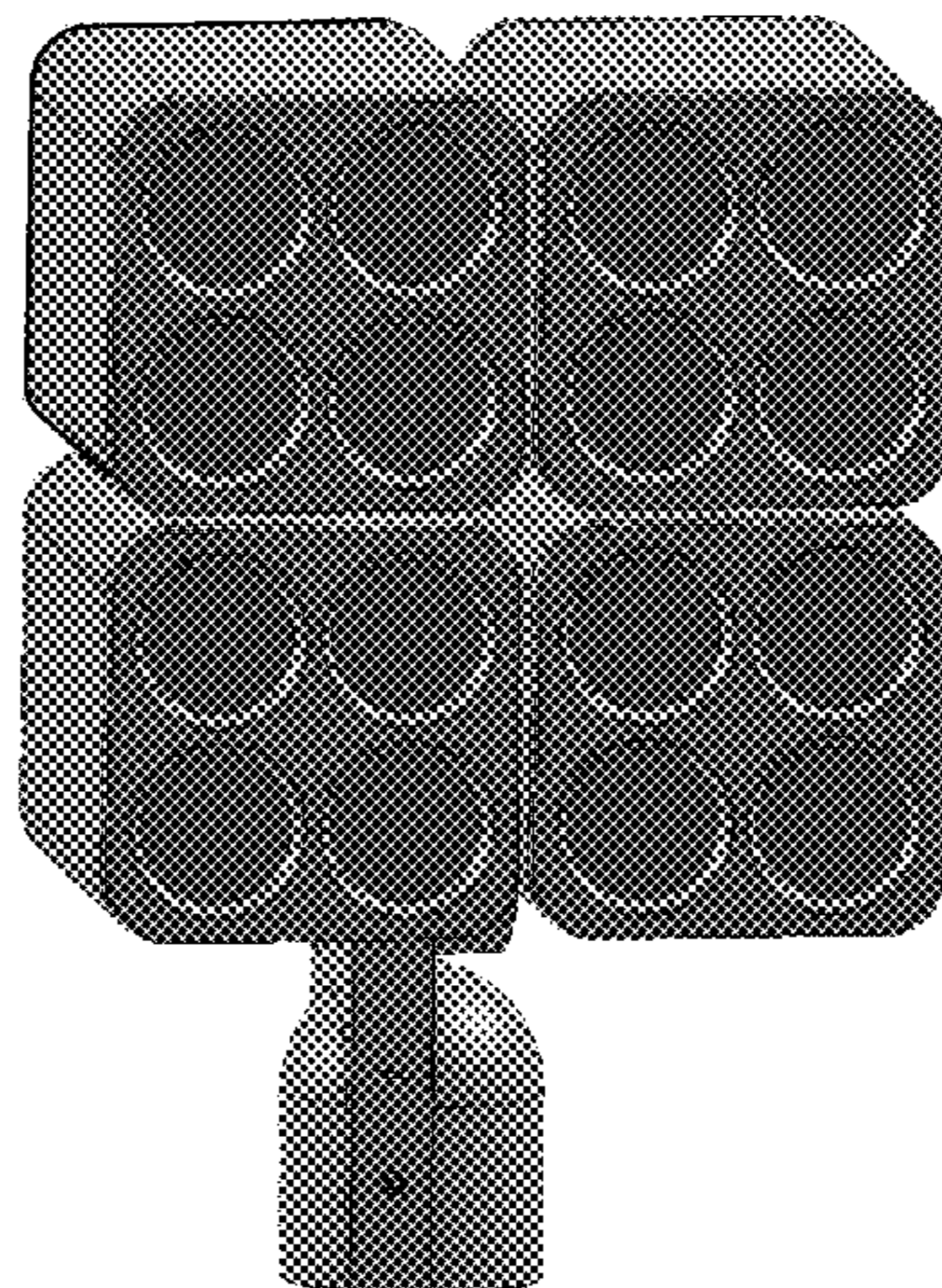
The patent or application file contains at least one drawing executed in color. Copies of this patent or patent application publication with color drawing(s) will be provided by the Office upon request and payment of the necessary fee.
FIG. 1 is a front elevational view of an LED luminaire having a mounting system showing our new design;
FIG. 2 is a back elevational view thereof;
FIG. 3 is a top, back, left perspective view thereof;
FIG. 4 is a top, back, right perspective view thereof;
FIG. 5 is a left elevational view thereof;
FIG. 6 is a right elevational view thereof;
FIG. 7 is a top plan view thereof; and,
FIG. 8 is a bottom plan view thereof, with the broken line disclosure forming no part of the claimed design.

(56) **References Cited**

U.S. PATENT DOCUMENTS

D122,711 S 9/1940 May
2,458,967 A 1/1949 Wiedenhoft
D205,082 S 6/1966 Morgan
D214,582 S * 7/1969 Routh D26/63
D231,559 S 4/1974 Darling
D234,712 S 4/1975 Kennedy
4,090,210 A 5/1978 Wehling
D258,314 S 2/1981 Leon
1,258,413 A 3/1981 Mausser
4,345,306 A 8/1982 Summey
4,423,471 A 12/1983 Gordin

1 Claim, 8 Drawing Sheets
(8 of 8 Drawing Sheet(s) Filed in Color)



(56)

References Cited

U.S. PATENT DOCUMENTS

D296,244 S 6/1988 Donato
 D296,717 S 7/1988 Kane
 D300,876 S 4/1989 Sakai
 1,833,579 A 5/1989 Skegin
 1,882,667 A 11/1989 Skegin
 D307,640 S 5/1990 Titmarsh
 D315,030 S 2/1991 Jacobs
 D316,303 S 4/1991 Layne
 D319,512 S 8/1991 Lettenmayer
 D325,645 S 4/1992 Grange
 5,140,507 A 8/1992 Harwood
 D330,944 S 11/1992 Wereley
 D336,536 S 6/1993 Shaanan
 5,325,281 A 6/1994 Harwood
 D348,744 S 7/1994 Johnson
 5,335,159 A 8/1994 Chen
 5,381,323 A 1/1995 Osteen
 5,450,303 A 9/1995 Markiewicz
 5,504,665 A 4/1996 Osteen
 D373,437 S 9/1996 Kira
 5,584,574 A 12/1996 Haddad
 5,599,091 A 2/1997 Kira
 5,713,662 A 2/1998 Kira
 5,716,126 A 2/1998 Meyer
 6,022,130 A 2/2000 Donato
 6,079,992 A 6/2000 Kuchar
 6,439,749 B1 8/2002 Miller
 6,902,200 B1 6/2005 Beadle
 D539,459 S 3/2007 Benghozi
 7,210,957 B2 5/2007 Mrakovich
 D551,372 S 9/2007 Korpi
 D552,779 S * 10/2007 Starck D26/63
 D552,782 S 10/2007 Korpi
 D574,987 S 8/2008 Waldmann
 D583,975 S 12/2008 Kushinskaya
 D590,085 S 4/2009 Irvine
 D610,729 S 2/2010 Kushinskaya
 D618,374 S 6/2010 Guercio
 7,810,951 B1 10/2010 Lee
 8,002,438 B2 8/2011 Ko
 D645,183 S * 9/2011 Cucinella D26/63
 D645,594 S * 9/2011 Grawe D26/63
 D652,870 S * 1/2012 Wu D19/69
 8,104,934 B2 1/2012 Probasco
 D654,207 S 2/2012 Fletcher

D655,840 S 3/2012 Heaton
 D655,842 S * 3/2012 Sabernig D26/63
 8,142,047 B2 3/2012 Acampora
 D659,871 S 5/2012 Lee
 8,182,122 B2 5/2012 Chiu
 8,297,792 B1 10/2012 Wang
 8,297,808 B2 10/2012 Yuan
 8,360,621 B2 1/2013 Avila
 D690,859 S 10/2013 Mollaghaffari
 D694,925 S * 12/2013 Fukasawa D26/63
 D700,728 S * 3/2014 Fukasawa D26/63
 8,858,028 B2 10/2014 Kim
 D724,773 S * 3/2015 Ryu D26/63
 D779,697 S * 2/2017 Fletcher D26/65
 D782,093 S * 3/2017 Fletcher D26/65
 D782,094 S * 3/2017 Fletcher D26/65
 2004/0090781 A1 5/2004 Yeoh
 2009/0318770 A1 12/2009 Marka et al.
 2010/0254147 A1 10/2010 Tsao

OTHER PUBLICATIONS

Fletcher et al., U.S. Appl. No. 29/532,383, filed Jul. 6, 2015, entitled "LED Luminaire Having a Mounting System," 10pp.
 Fletcher et al., U.S. Appl. No. 29/533,666, filed Jul. 20, 2015, entitled "LED Luminaire Having a Mounting System," 10pp.
 Fletcher et al., U.S. Appl. No. 29/533,667, filed Jul. 20, 2015, entitled "LED Luminaire Having a Mounting System," 10pp.
 Fletcher et al., U.S. Appl. No. 29/533,635, filed Jul. 20, 2015, entitled "LED Luminaire Having a Mounting System" 10pp.
 Fletcher et al., U.S. Appl. No. 15/268,781, filed Sep. 19, 2016, entitled "Lighting System Having a Mounting Device," 93pp.
 Fletcher et al., U.S. Appl. No. 29/578,086, filed Sep. 19, 2016, entitled "LED Luminaire Having a Mounting System," 10pp.
 Fletcher et al., U.S. Appl. No. 29/578,094, filed Sep. 19, 2016, entitled "LED Luminaire Having a Mounting System," 10pp.
 Fletcher et al., U.S. Appl. No. 29/578,095, filed Sep. 19, 2016, entitled "LED Luminaire Having a Mounting System," 10pp.
 PCT International patent application No. PCT/US2017/051939 filed on Sep. 16, 2017; 89pp.
 International Search Report and Opinion dated Nov. 16, 2017 in PCT International patent application No. PCT/US2017/051939 filed on Sep. 16, 2017; 8pp.
 Fletcher et al., U.S. Appl. No. 15/481,223 filed on Apr. 6, 2017, 159pp.

* cited by examiner

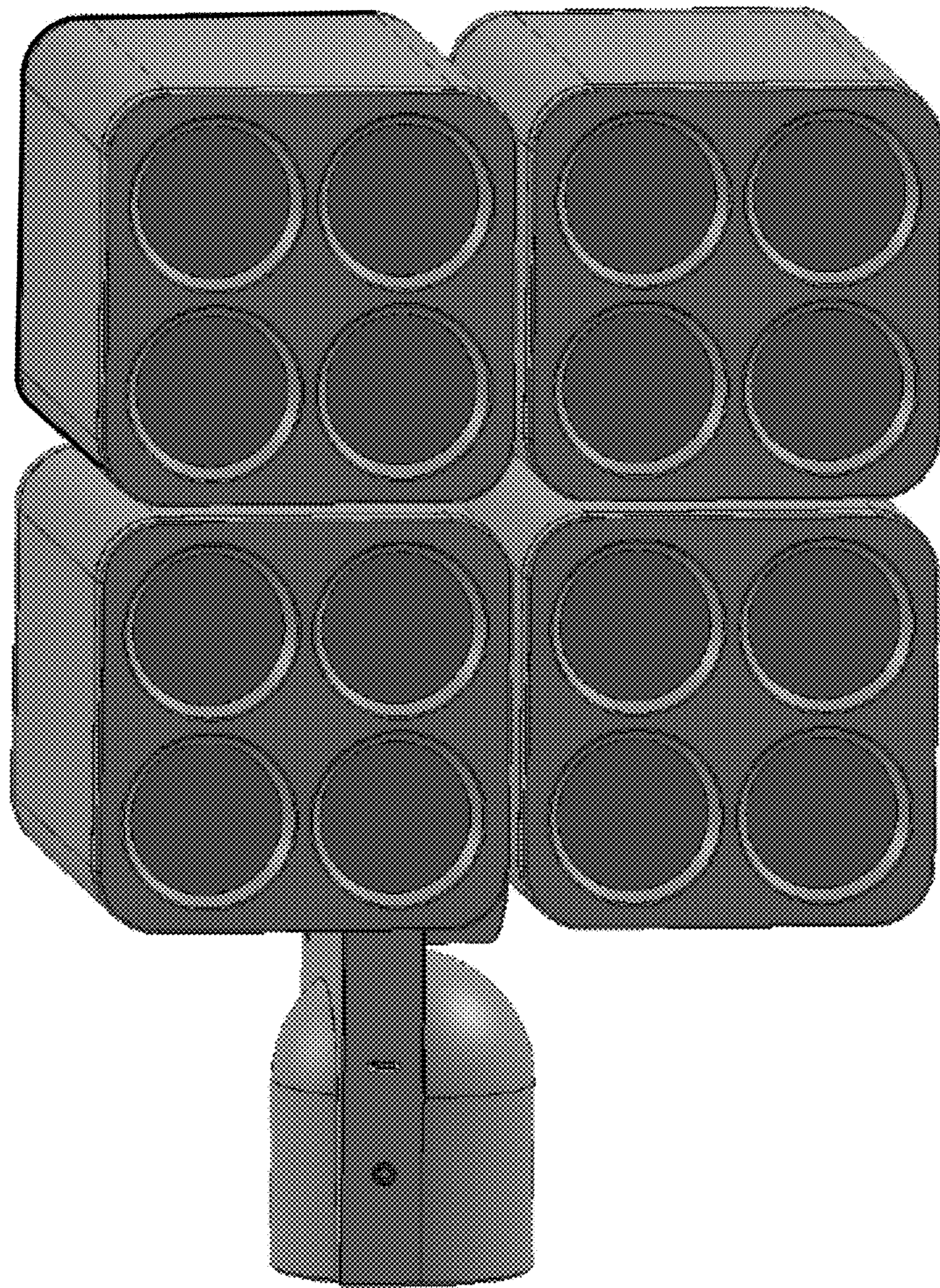


FIG. 1

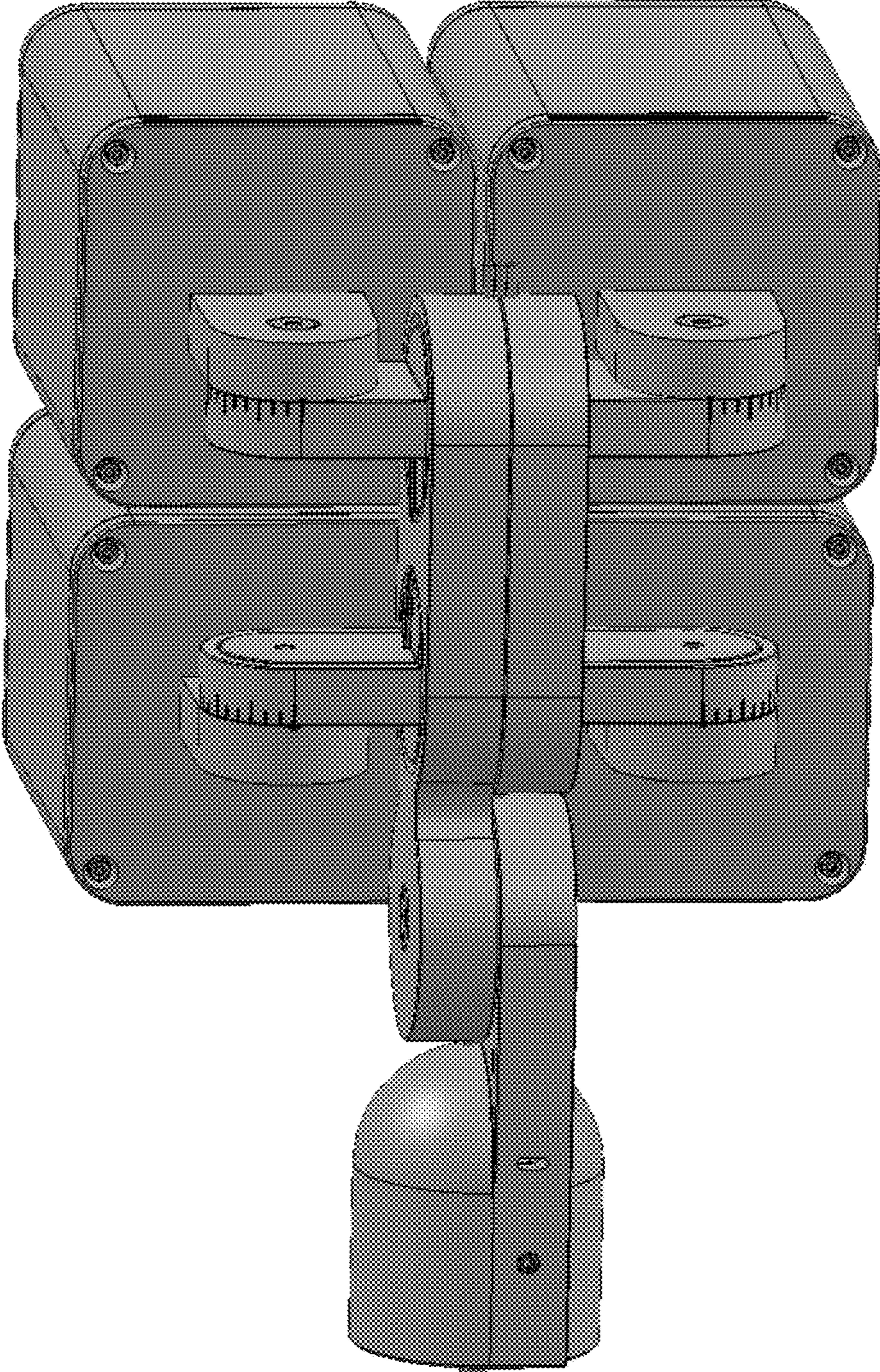


FIG. 2

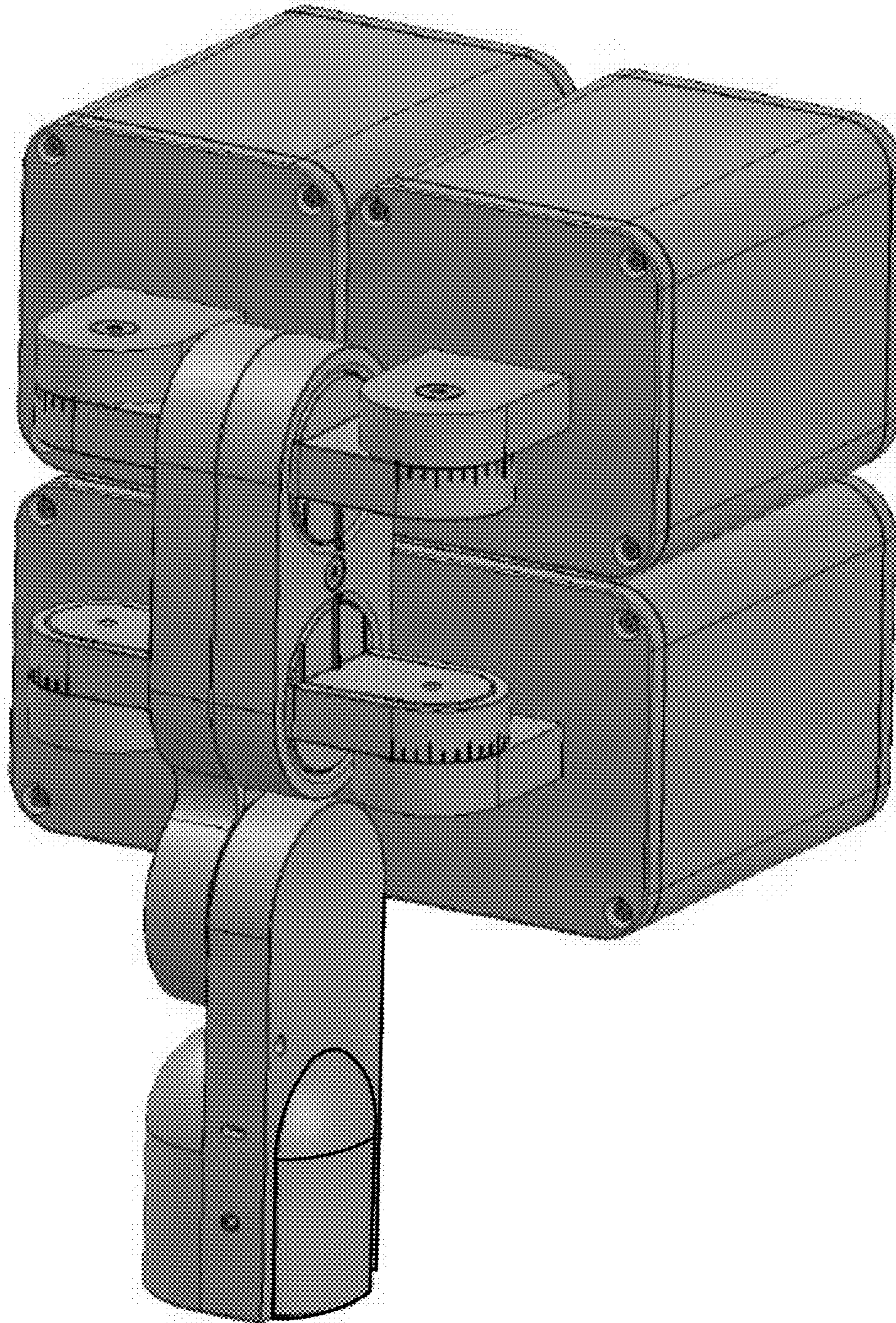


FIG. 3

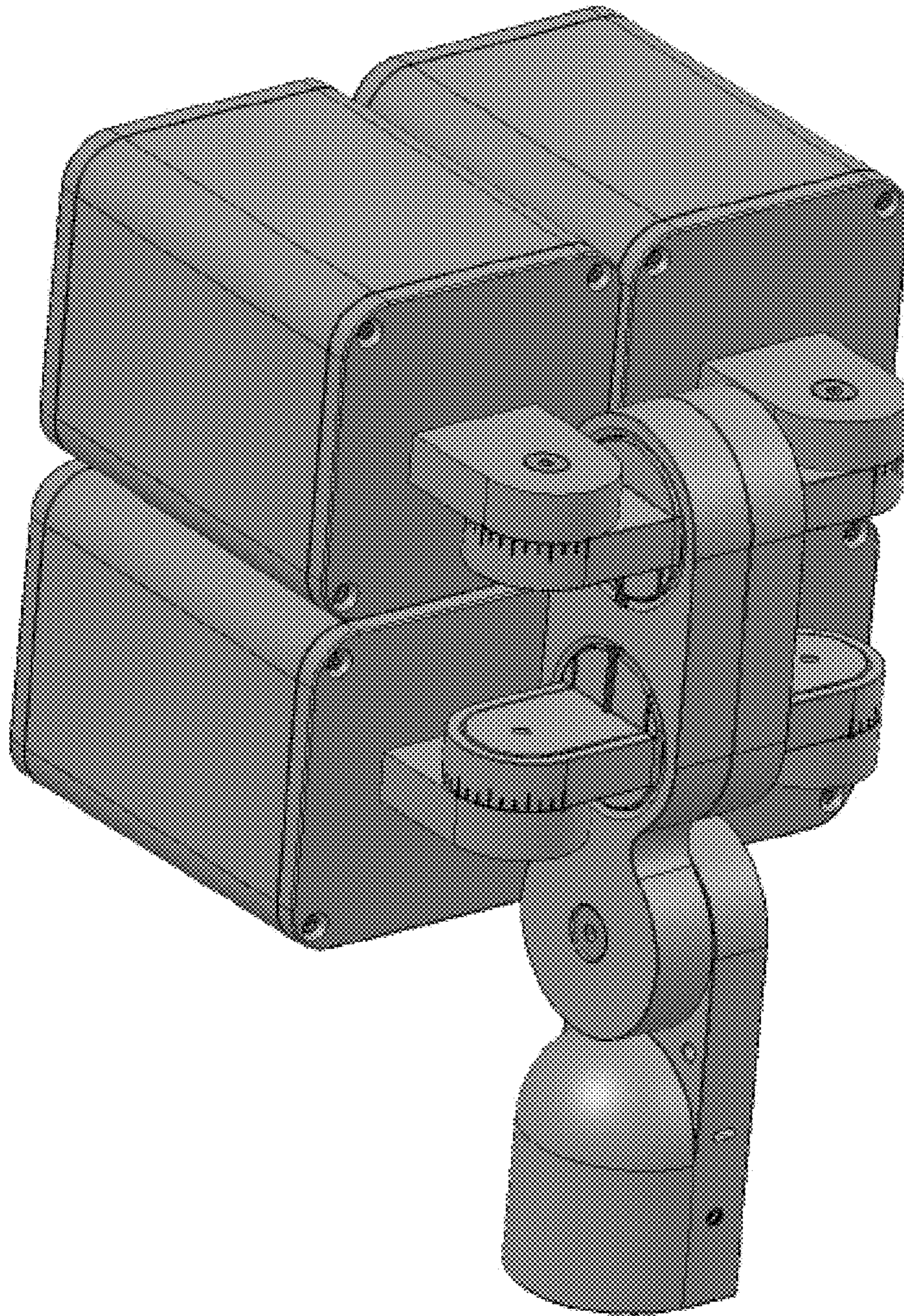


FIG. 4

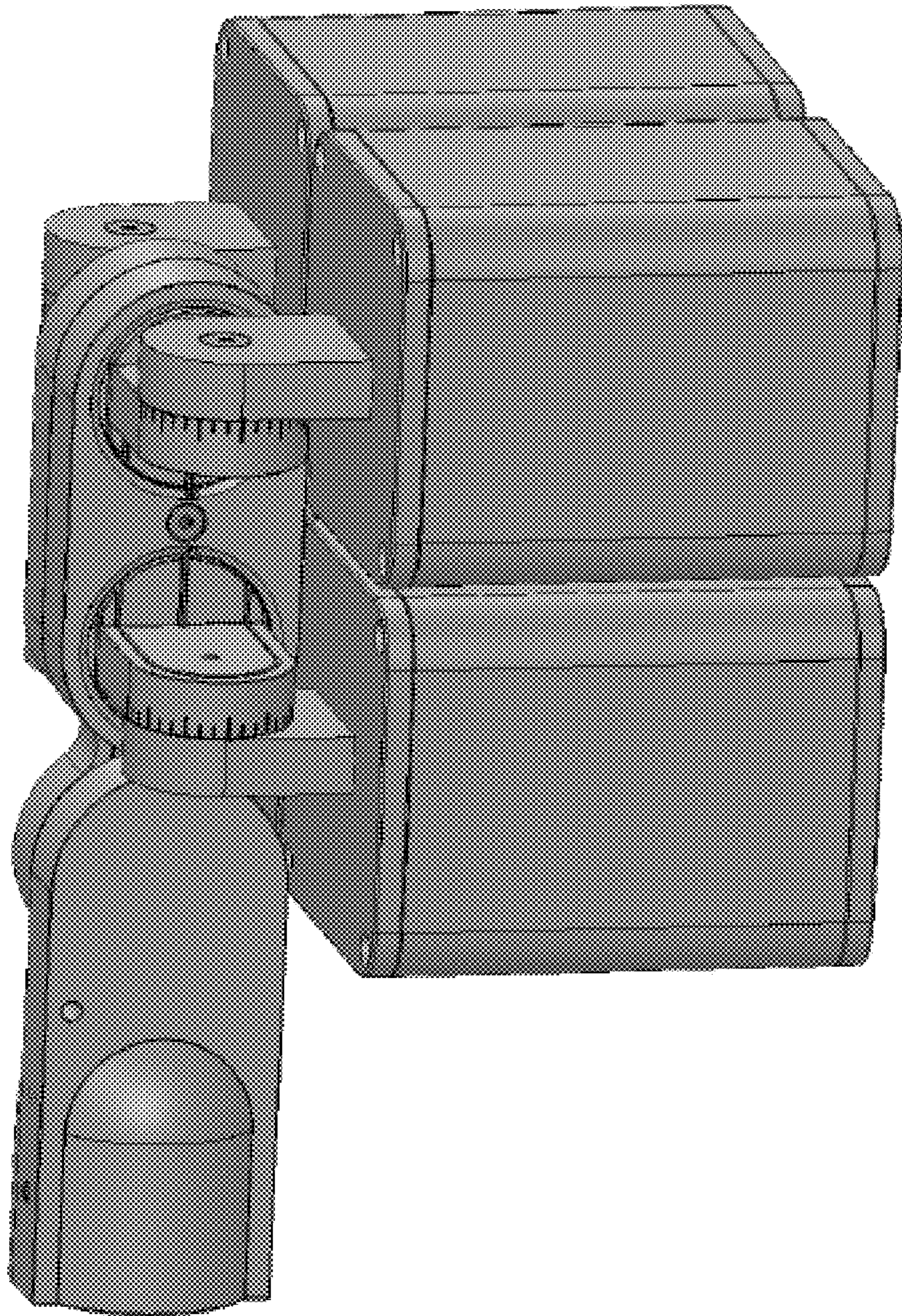


FIG. 5

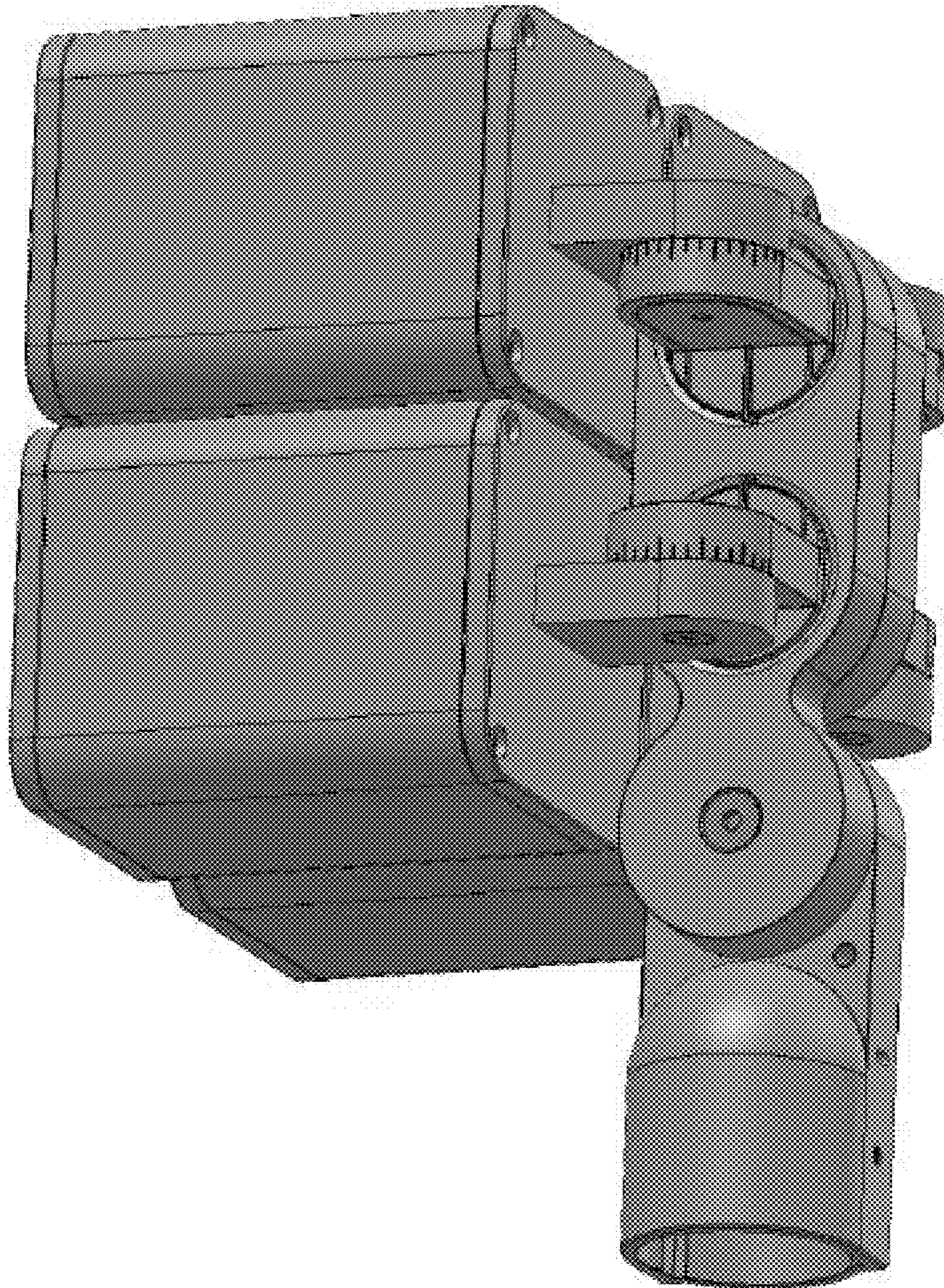


FIG. 6

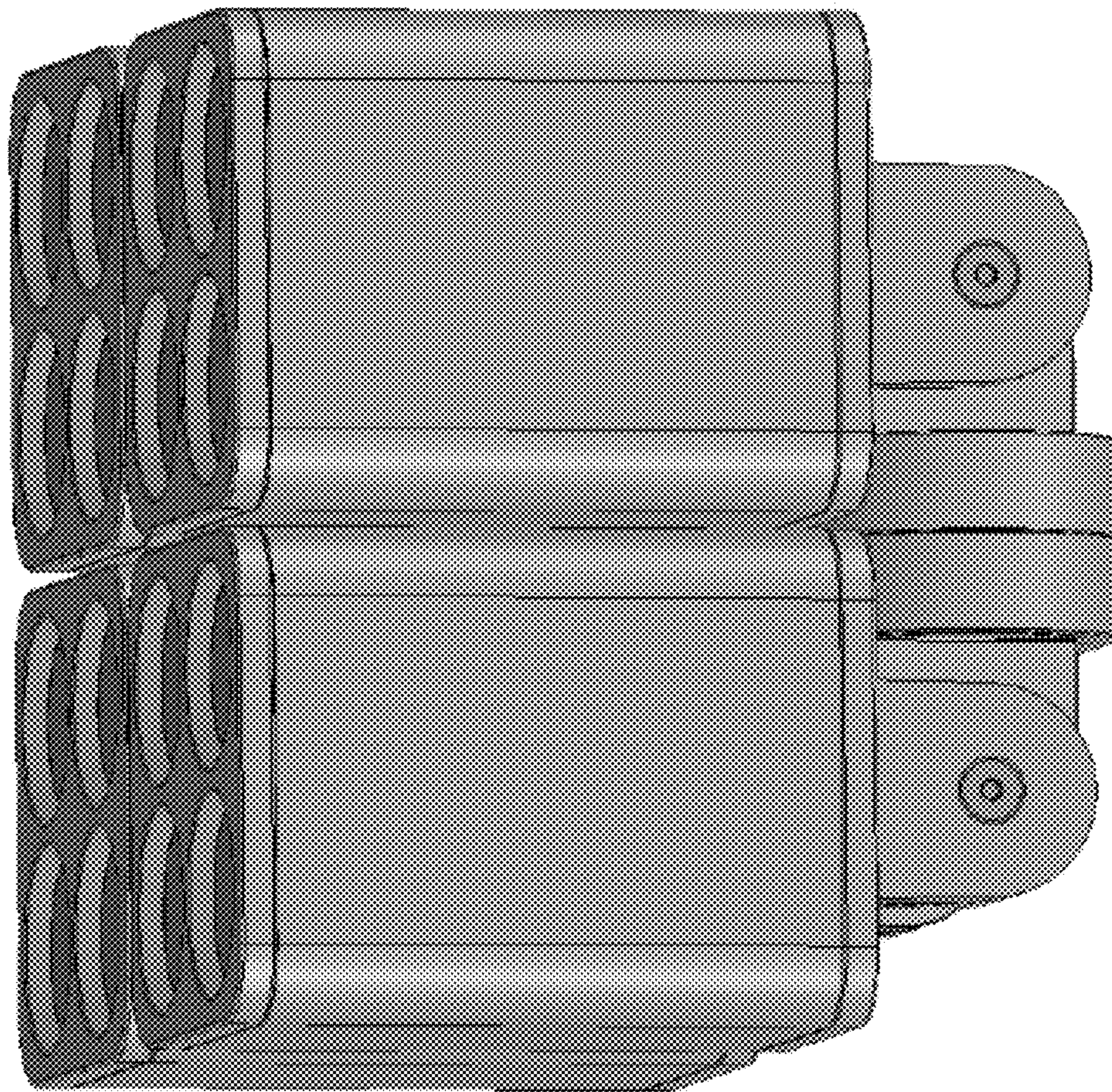


FIG. 7

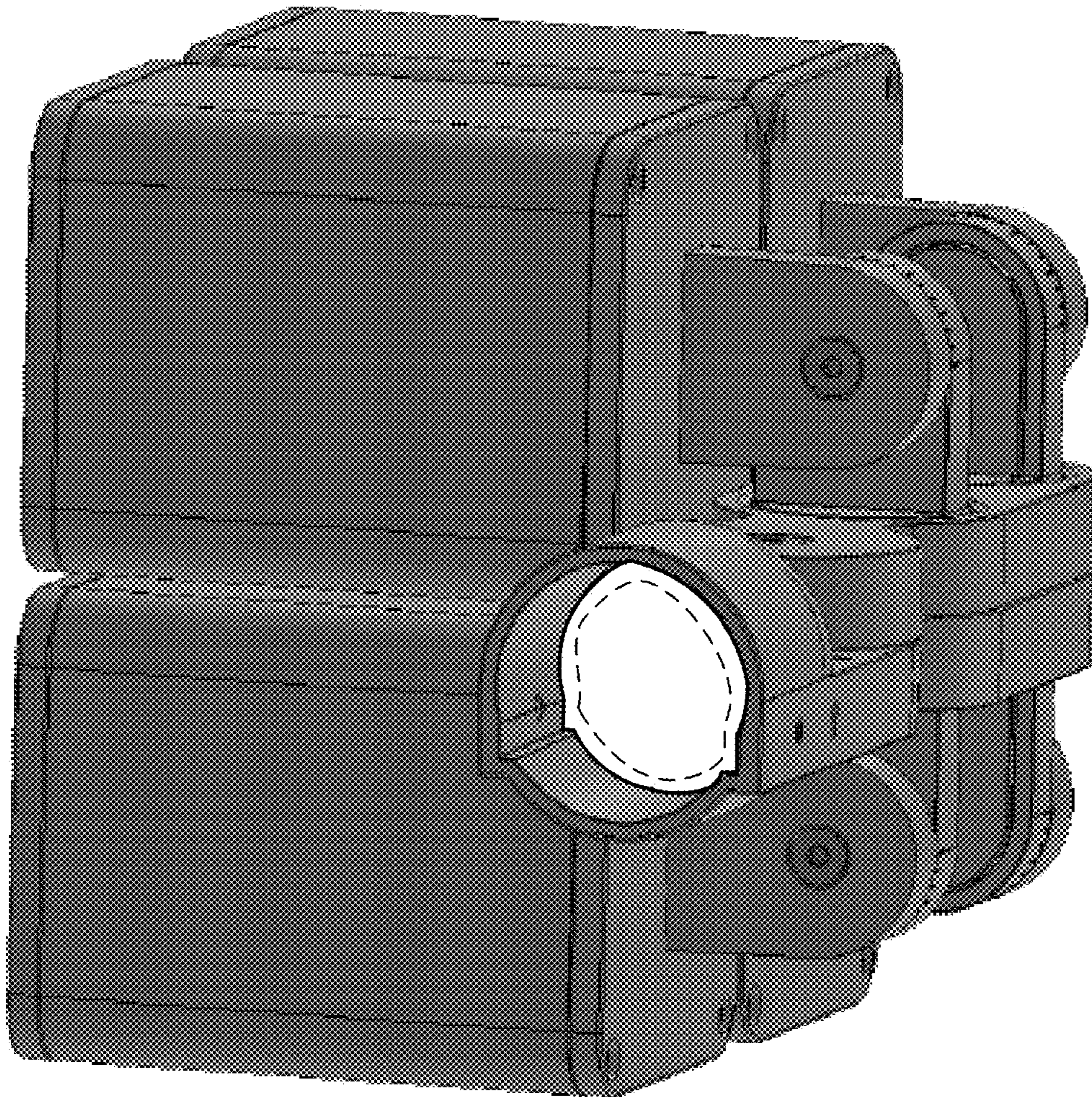


FIG. 8