



US00D822246S

(12) **United States Design Patent**
Hou

(10) **Patent No.:** **US D822,246 S**

(45) **Date of Patent:** **** Jul. 3, 2018**

(54) **COMBINATION SOLAR POWERED
SPOTLIGHT WITH MOTION SENSOR**

(71) Applicant: **Mao Hou**, Shenzhen (CN)

(72) Inventor: **Mao Hou**, Shenzhen (CN)

(**) Term: **15 Years**

(21) Appl. No.: **29/577,314**

(22) Filed: **Sep. 12, 2016**

(51) **LOC (11) Cl.** **26-05**

(52) **U.S. Cl.**
USPC **D26/51**

(58) **Field of Classification Search**
USPC D26/37, 46, 38, 49, 51, 44, 62, 63, 65
CPC F21L 2003/00; F21L 4/00; F21L 4/005;
F21L 4/02; F21L 4/025; F21L 4/027;
F21L 4/04; F21L 4/08; F21L 2005/00;
F21L 7/00; F21L 11/00; F21L 13/00;
F21L 13/04; F21L 13/08; F21L 14/02;
F21L 17/00; F21L 19/00

See application file for complete search history.

(56) **References Cited**

U.S. PATENT DOCUMENTS

D316,456 S	*	4/1991	De Candia	D26/63
D338,845 S	*	8/1993	Rohrs	D10/106.8
D363,804 S	*	10/1995	Parker	D10/106.1
D438,998 S	*	3/2001	Finke	D10/106.1
D549,859 S	*	8/2007	Kovacik	D26/37
D553,771 S	*	10/2007	Watson	D26/37
D630,355 S	*	1/2011	Gulker	D26/37
D636,919 S	*	4/2011	Wang	D26/63

D695,434 S	*	12/2013	Shen	D26/41
D710,527 S	*	8/2014	Brown	D26/63
D713,582 S	*	9/2014	Liang	D26/63
D749,006 S	*	2/2016	Ure	D10/106.6
D765,901 S	*	9/2016	Chen	D26/63
D768,522 S	*	10/2016	Liang	D10/106.8
D774,231 S	*	12/2016	Recker	D26/63
D780,608 S	*	3/2017	Lomas	D10/106.6
D780,969 S	*	3/2017	Zhu	D26/63
D782,094 S	*	3/2017	Fletcher	D26/65
D783,873 S	*	4/2017	Wallach	D26/51

* cited by examiner

Primary Examiner — Lakiya G Rogers

Assistant Examiner — Carissa C Fitts

(74) *Attorney, Agent, or Firm* — Novoclaims Patent Services LLC; Mei Lin Wong

(57) **CLAIM**

The ornamental design for a combination solar powered spotlight with motion sensor, as shown and described.

DESCRIPTION

FIG. 1 is a perspective view of a combination solar powered spotlight with motion sensor showing our new design;

FIG. 2 is a front view thereof.

FIG. 3 is a rear view thereof.

FIG. 4 is a right end view thereof.

FIG. 5 is a left end view thereof.

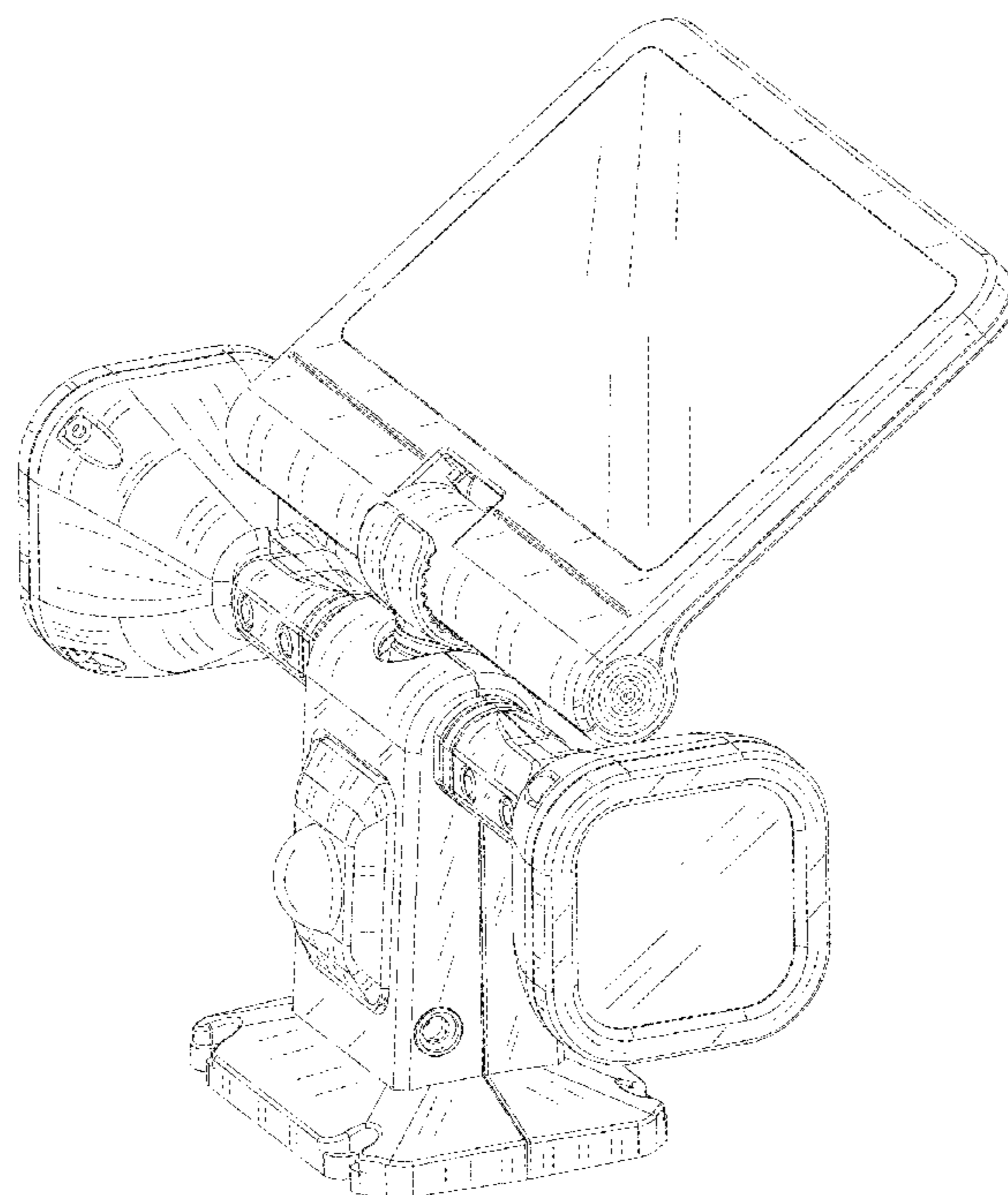
FIG. 6 is a top view thereof.

FIG. 7 is a bottom view thereof; and,

FIG. 8 is another perspective view thereof.

The broken lines show portions of the article not claimed and form no part of the claimed design.

1 Claim, 8 Drawing Sheets



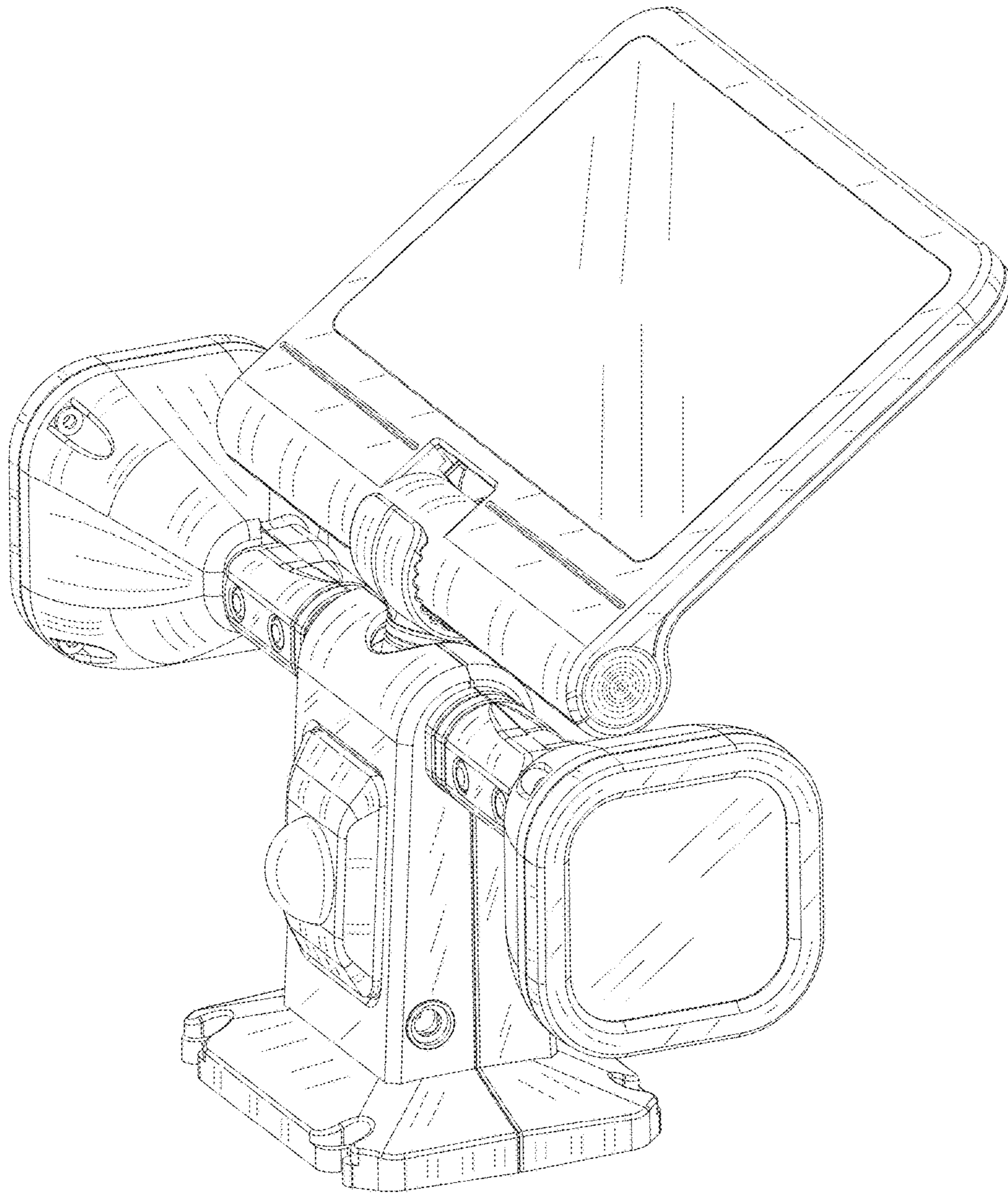


FIG.1

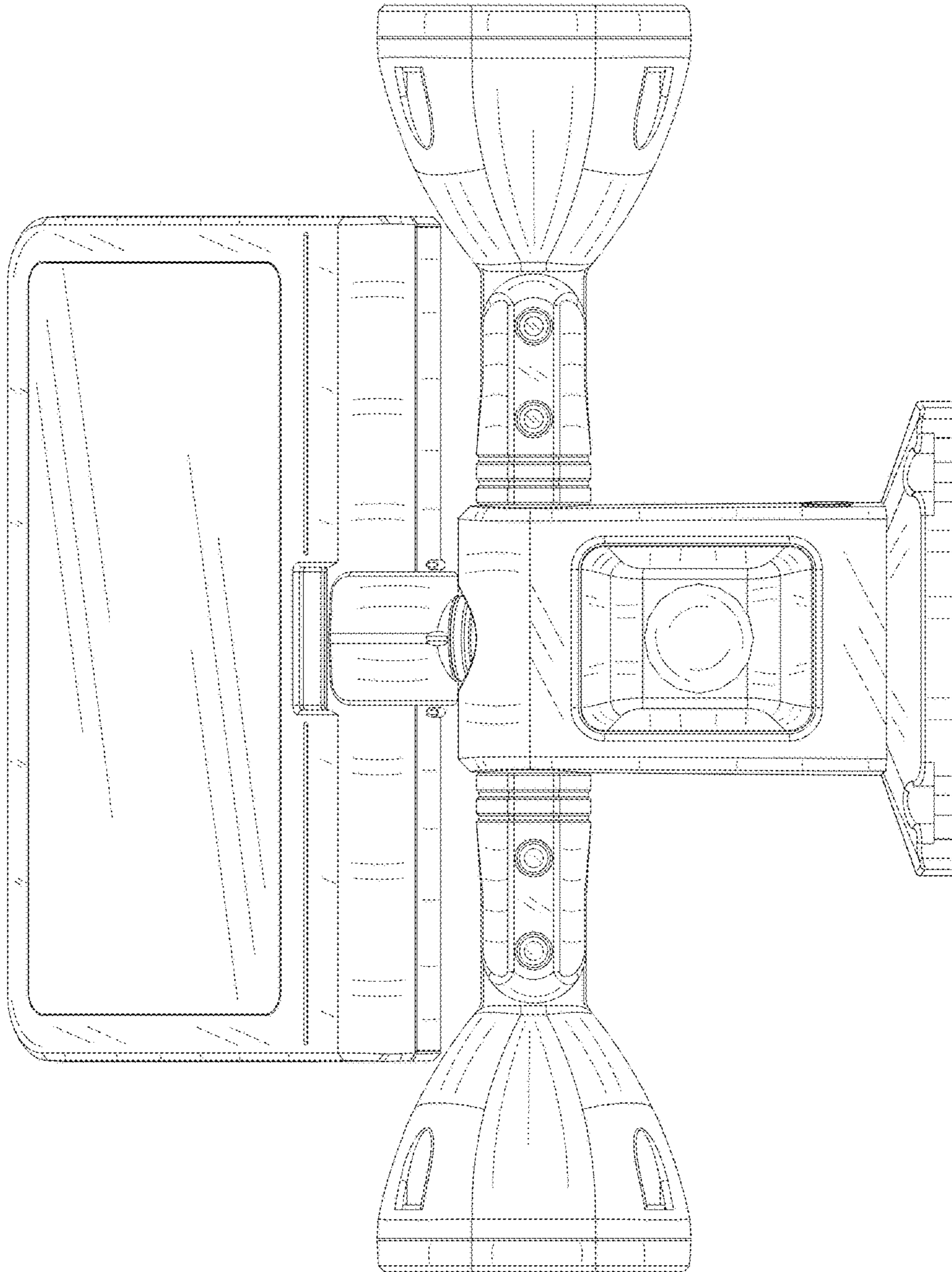


FIG.2

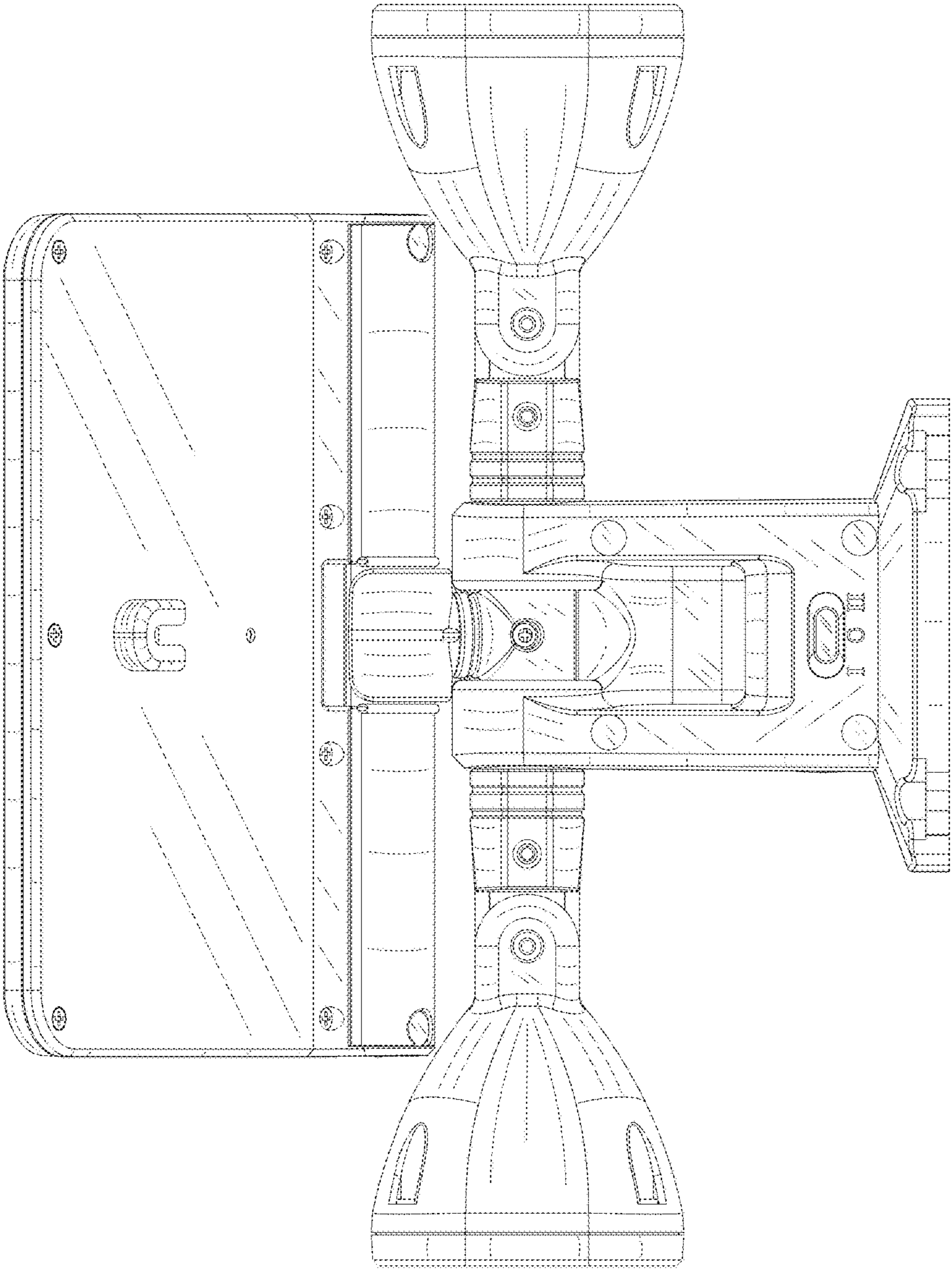


FIG.3

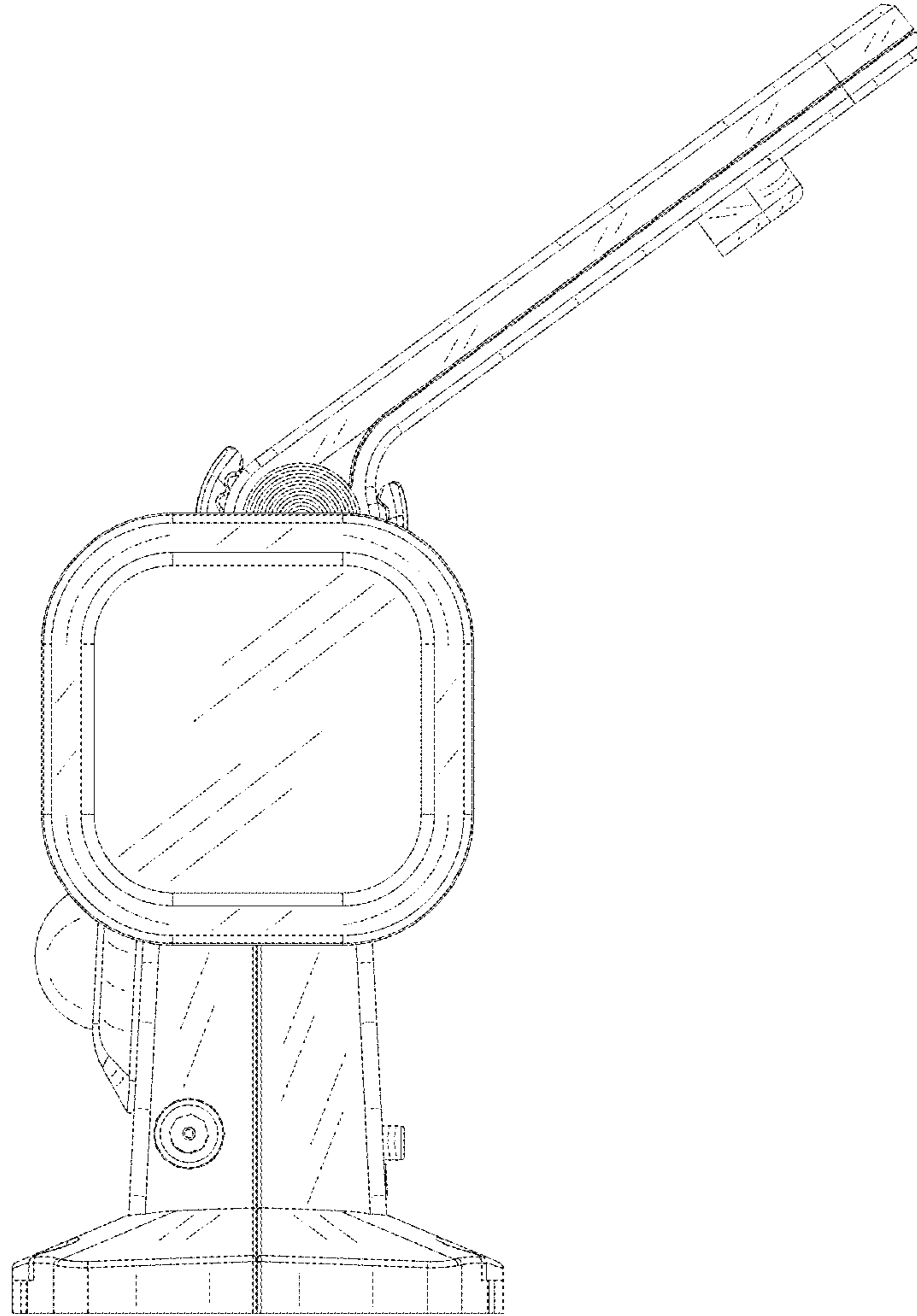


FIG.4

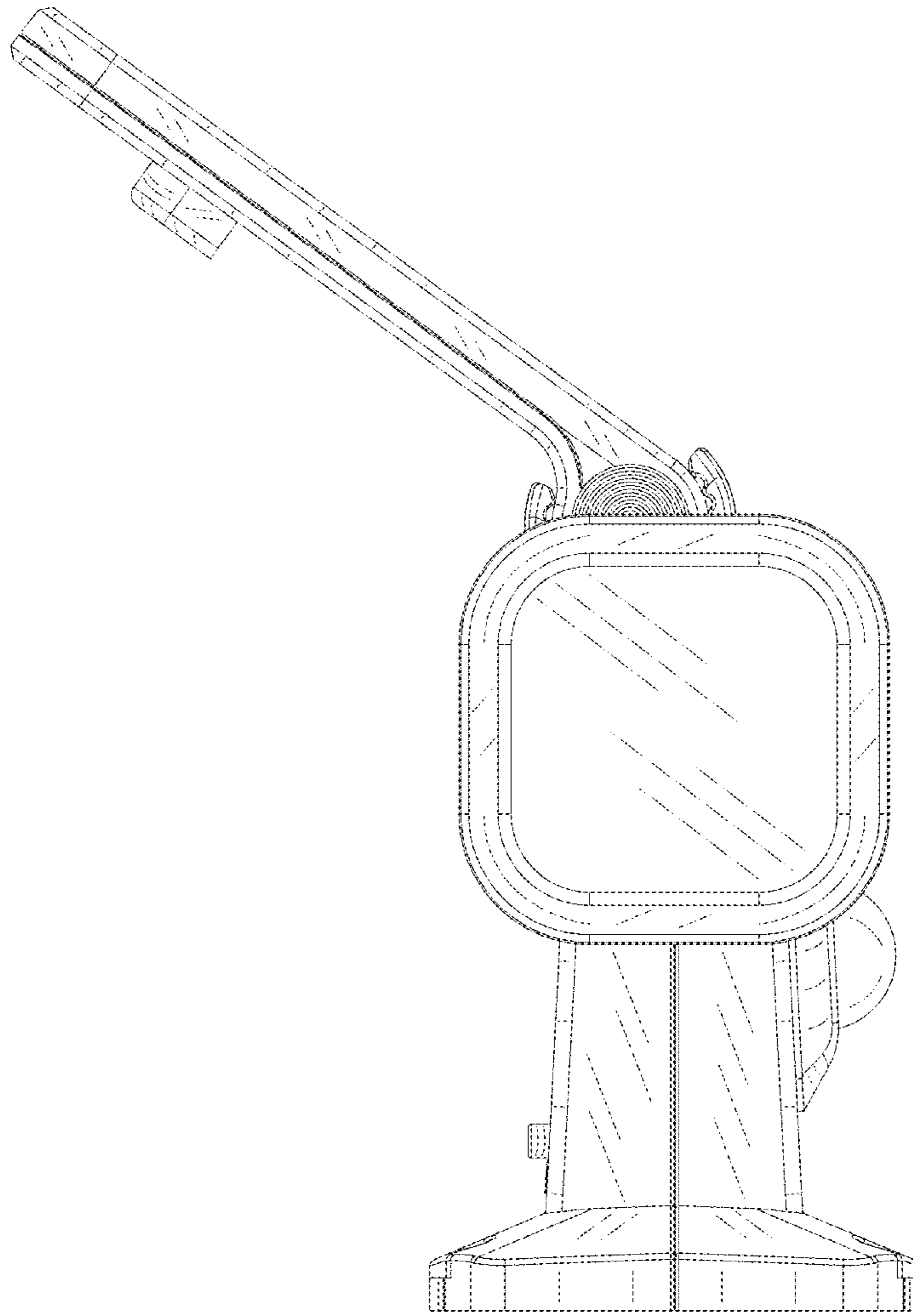


FIG.5

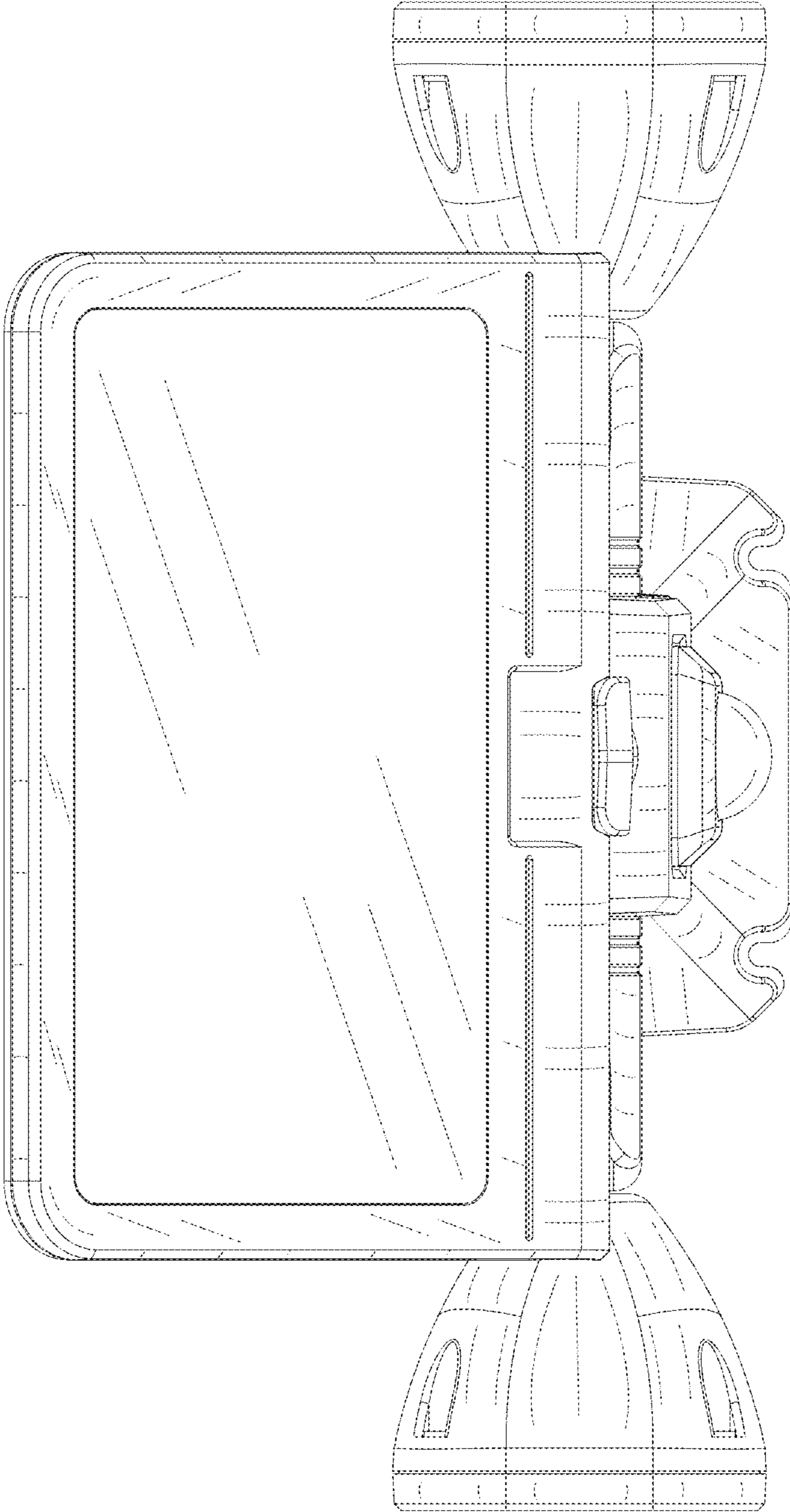


FIG.6

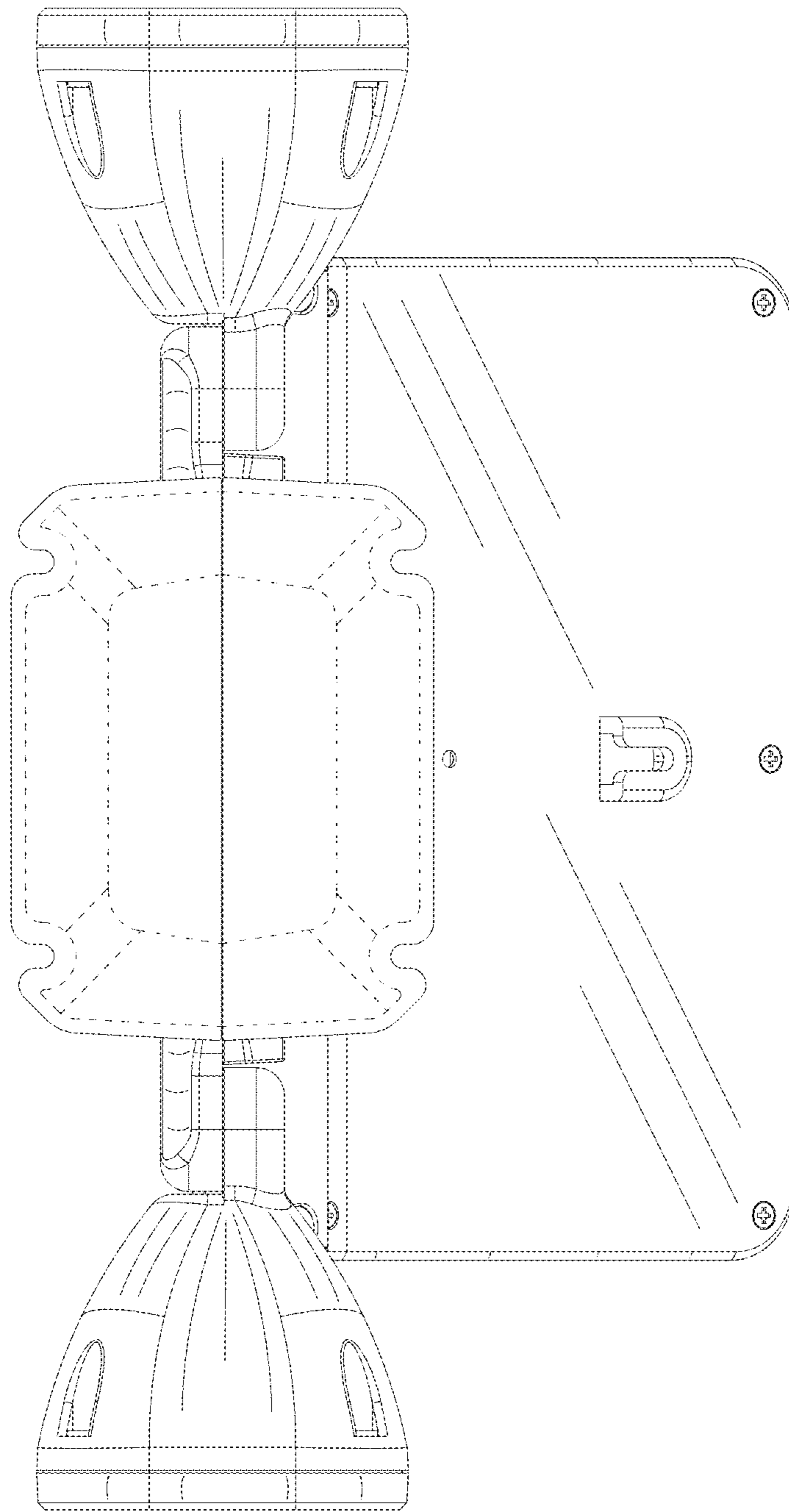


FIG.7

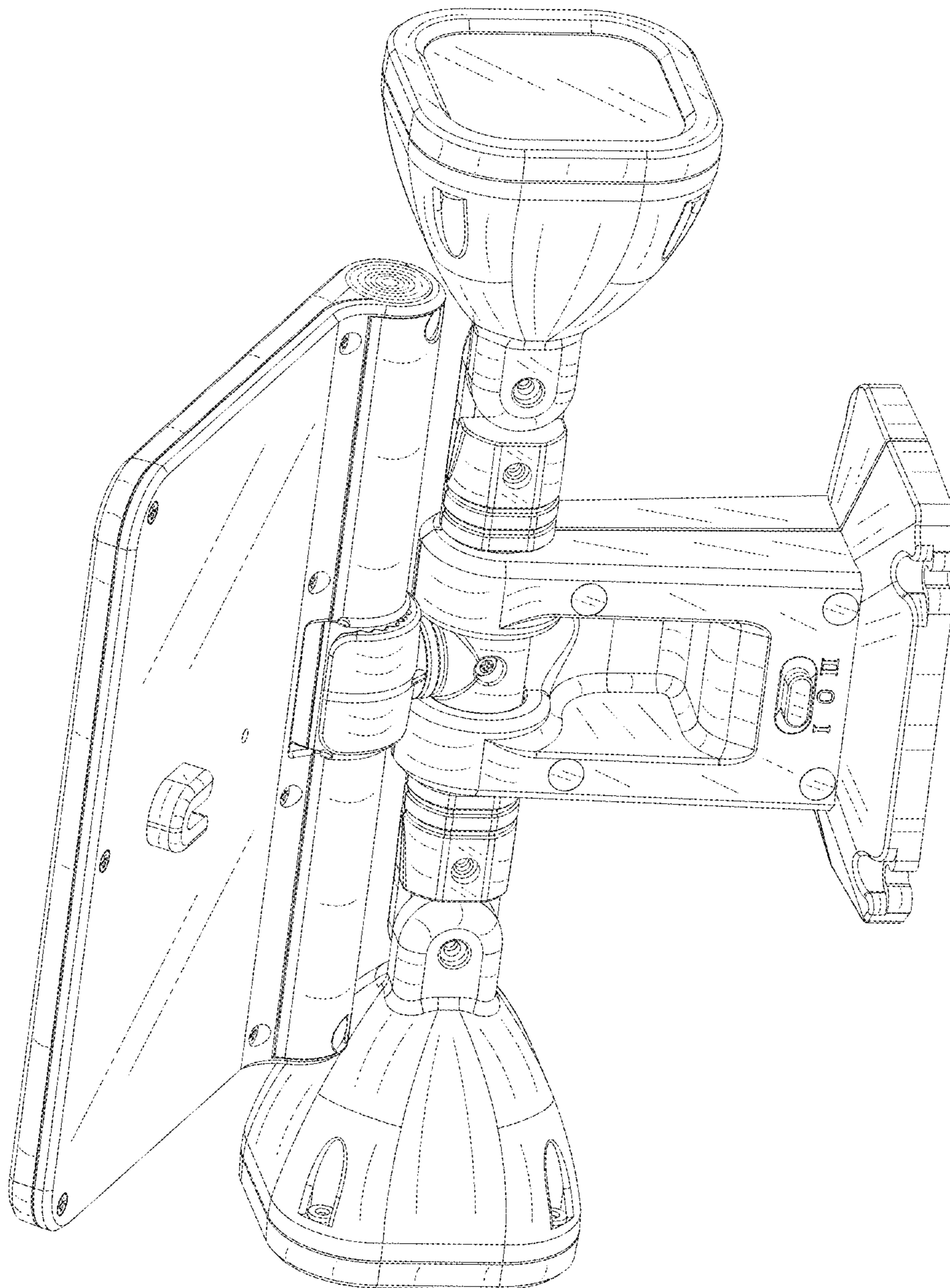


FIG.8