



US00D822244S

(12) **United States Design Patent**
Lee et al.

(10) **Patent No.:** **US D822,244 S**
(45) **Date of Patent:** **** Jul. 3, 2018**

(54) **REAR COMBINATION LAMP FOR CARS**

(71) Applicant: **HYUNDAI MOTOR COMPANY,**
Seoul (KR)

(72) Inventors: **Soon-II Lee,** Seoul (KR); **Jung-Taik Hur,** Yongin-si (KR)

(**) Term: **15 Years**

(21) Appl. No.: **35/502,536**

(22) Filed: **Jan. 5, 2017**

(80) **Hague Agreement Data**

Int. Filing Date: **Jan. 5, 2017**

Int. Reg. No.: **DM/094837**

Int. Reg. Date: **Jan. 5, 2017**

Int. Reg. Pub. Date: **Mar. 3, 2017**

(30) **Foreign Application Priority Data**

Oct. 20, 2016 (KR) 30-2016-0050283

(51) **LOC (11) Cl.** **26-06**

(52) **U.S. Cl.**
USPC **D26/28**

(58) **Field of Classification Search**

USPC D12/86, 90, 91, 92, 114, 163, 169, 171,
D12/172, 173, 181, 190, 196, 197, 199,
D12/400; D26/28-36

CPC .. B62J 6/02; B62J 6/00; B60Q 3/0279; B60Q
1/04; B60Q 1/0408; B60Q 1/0466; B60Q
1/2653; B60Q 1/28; F21S 48/00; F21S
48/10; F21S 48/115; F21S 48/1233; F21S
48/1266; F21S 48/1388; F21S 48/2268
See application file for complete search history.

(56) **References Cited**

U.S. PATENT DOCUMENTS

6,280,480 B1 * 8/2001 Tuttle B60Q 1/2607
362/518
6,286,984 B1 * 9/2001 Berg F21S 43/14
362/505

D660,483 S * 5/2012 Gotschke D26/28
D675,353 S * 1/2013 Kazama D26/28
D678,570 S * 3/2013 Brendel D26/28
D708,368 S * 7/2014 Song D26/28
D736,441 S * 8/2015 Sperling D26/28
D749,250 S * 2/2016 Thole D26/28
D752,781 S * 3/2016 Choi D26/28
D764,691 S * 8/2016 Luk D26/28
D774,220 S * 12/2016 Lim D26/28
D774,223 S * 12/2016 Lim D26/28
D775,378 S * 12/2016 Hatton D26/28
D775,388 S * 12/2016 Bucher D26/28
D786,463 S * 5/2017 Lai D26/28
D789,575 S * 6/2017 Willett D26/28
D791,375 S * 7/2017 Lichte D26/28
D798,477 S * 9/2017 Lai D26/28
D798,478 S * 9/2017 Haeussinger D26/28
D806,919 S * 1/2018 Hatton D26/28
2014/0160779 A1 * 6/2014 Pusch F21S 48/236
362/511
2016/0332561 A1 * 11/2016 Tseng B60Q 1/30
2017/0292674 A1 * 10/2017 Wu F21S 48/2281

* cited by examiner

Primary Examiner — Darlington Ly

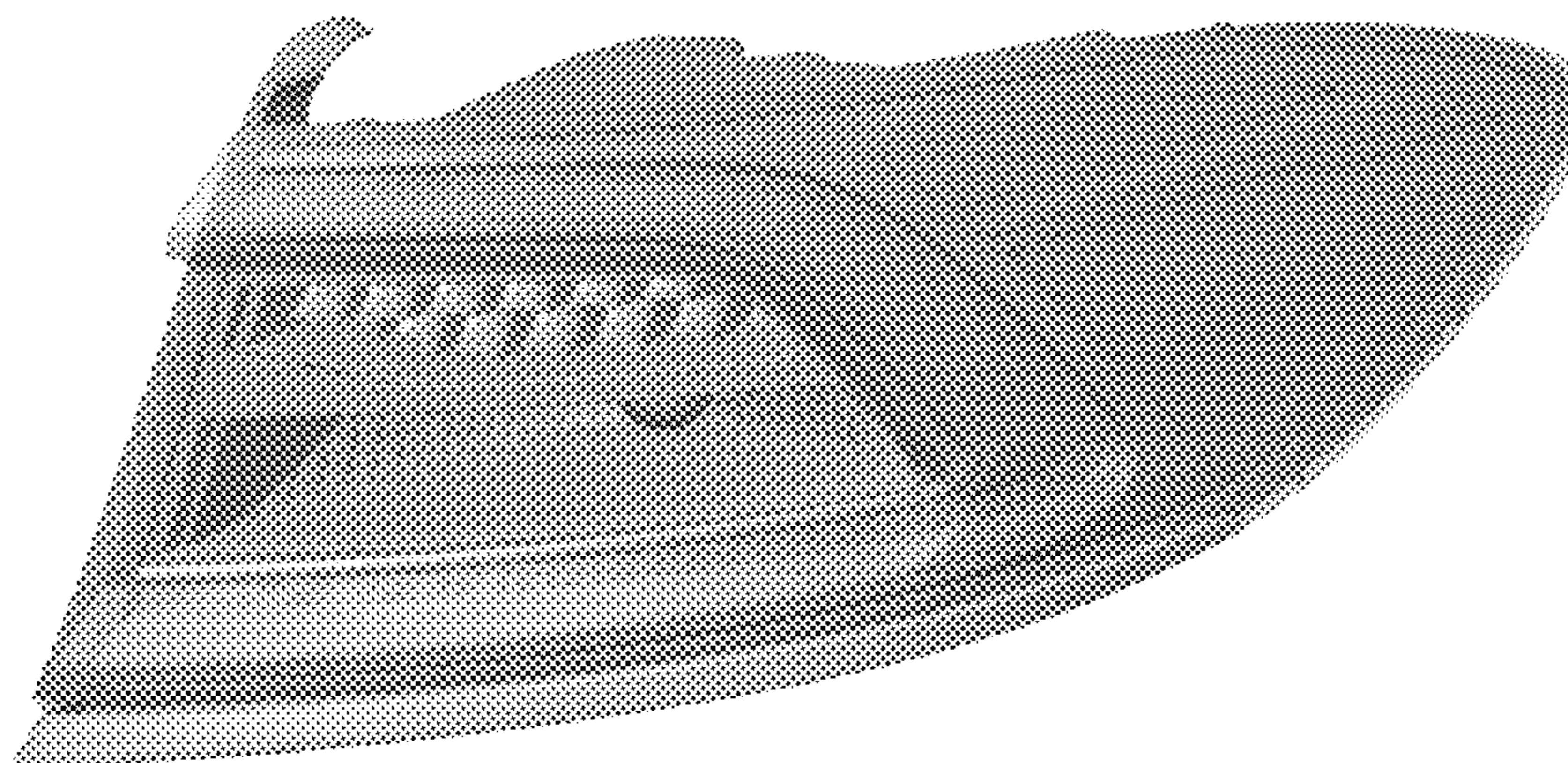
(57) **CLAIM**

The ornamental design for a rear combination lamp for cars,
as shown and described.

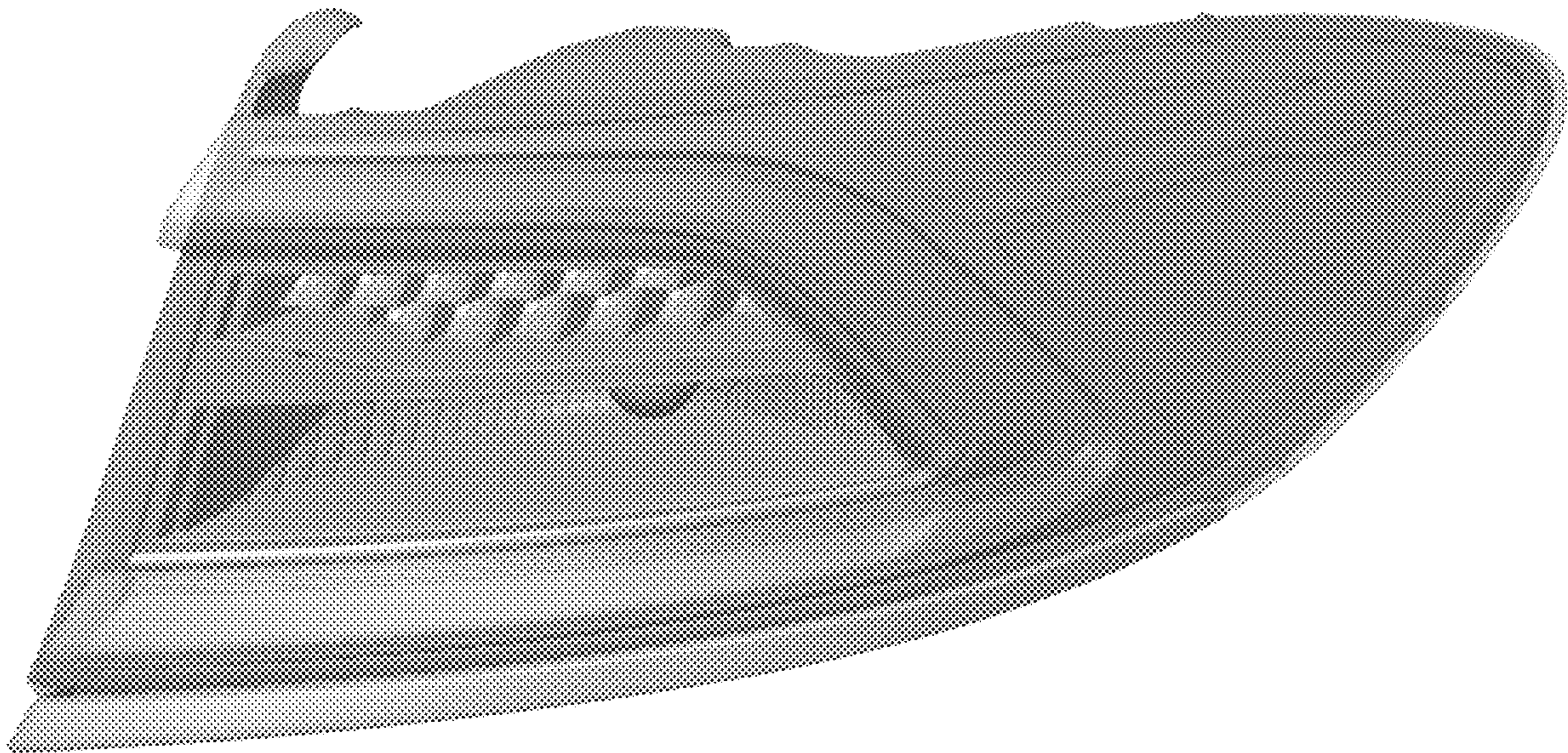
DESCRIPTION

- 1. Rear combination lamp for cars
- 1.1 is a top, front, and right side perspective view of a rear combination lamp for cars showing our new design;
- 1.2 is a front elevation view thereof;
- 1.3 is a rear elevation view thereof;
- 1.4 is a left side elevation view thereof;
- 1.5 is a right side elevation view thereof;
- 1.6 is a top plan view thereof; and
- 1.7 is a bottom plan view thereof.

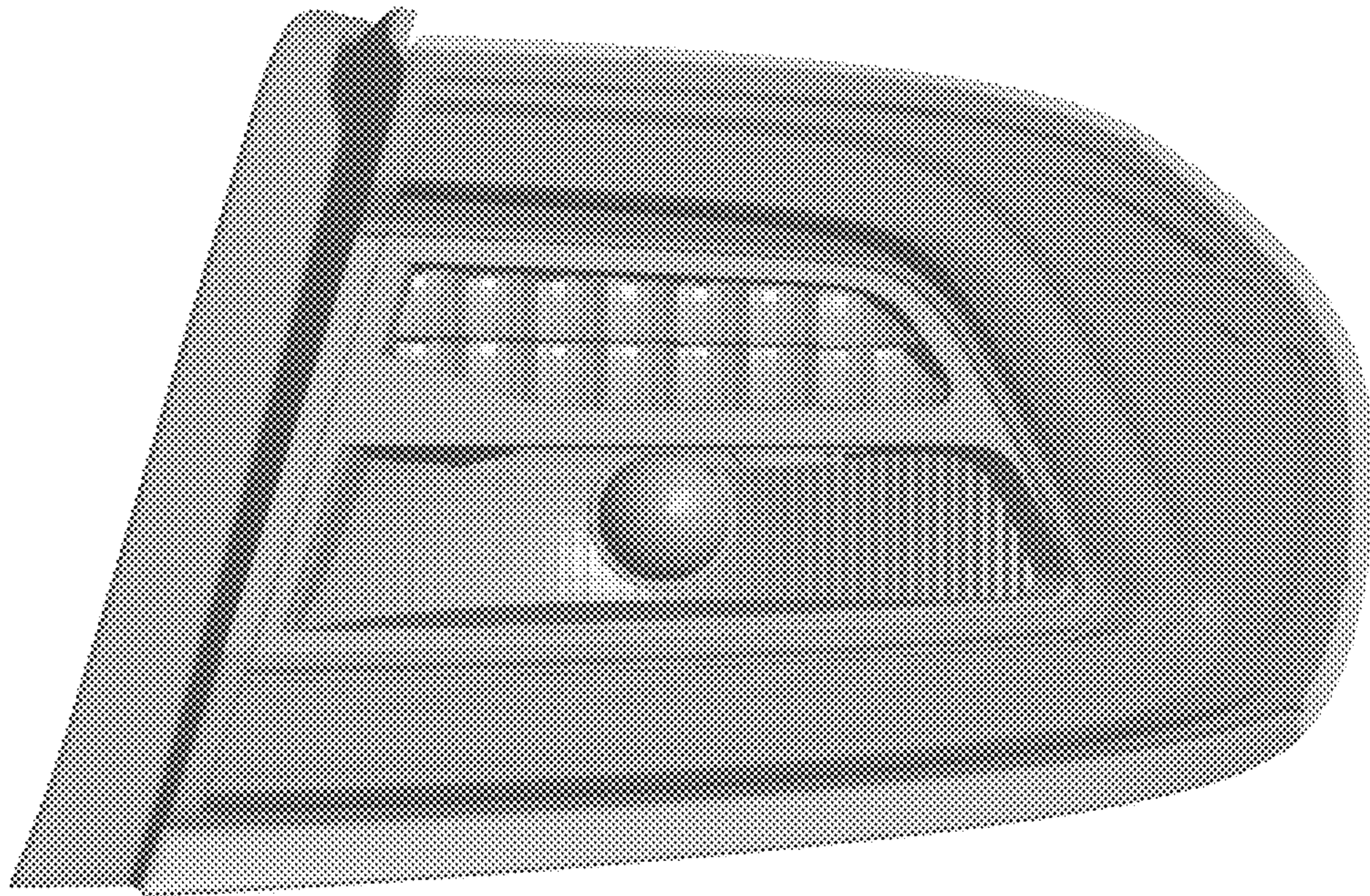
1 Claim, 7 Drawing Sheets



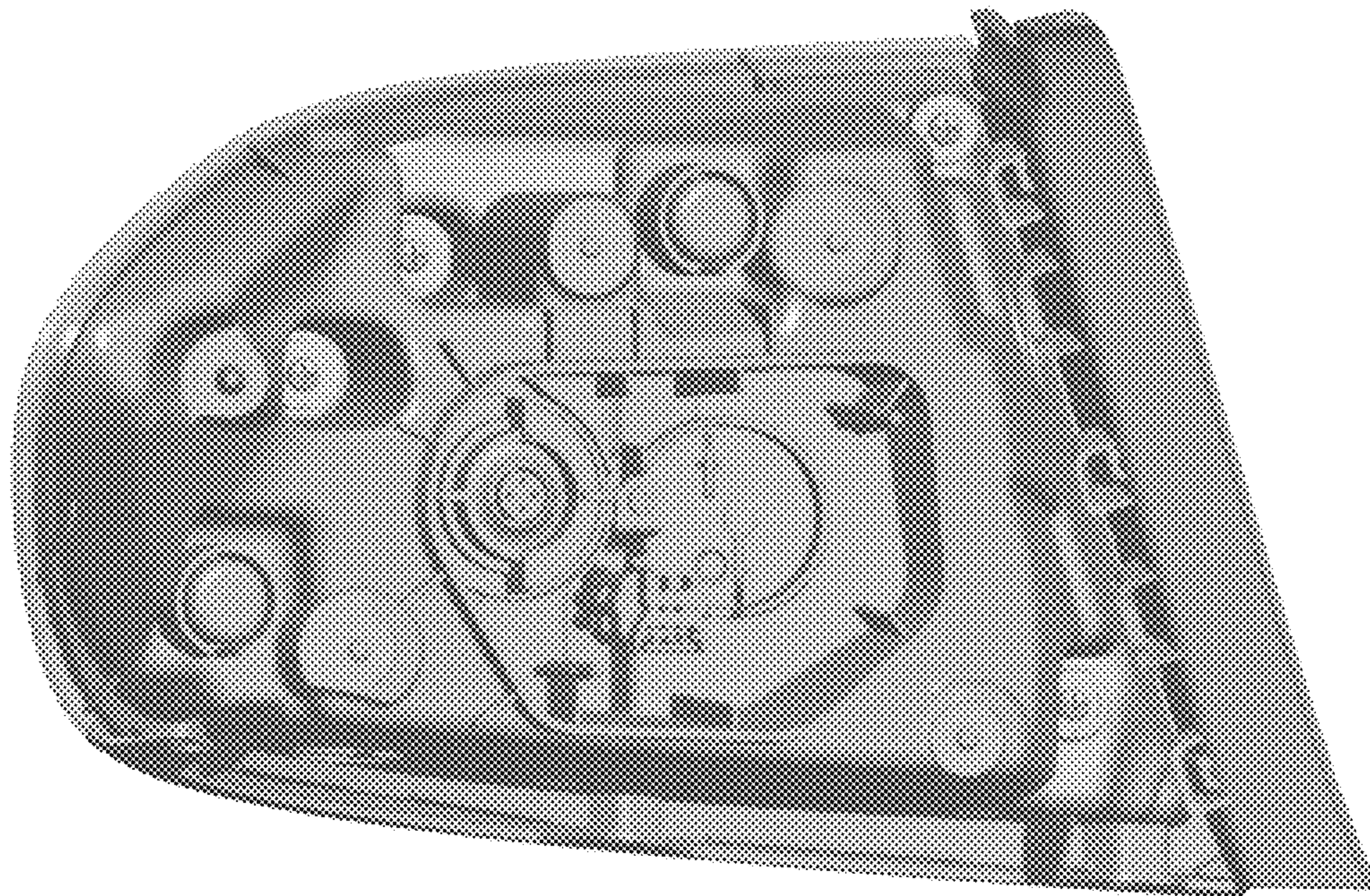
1.1



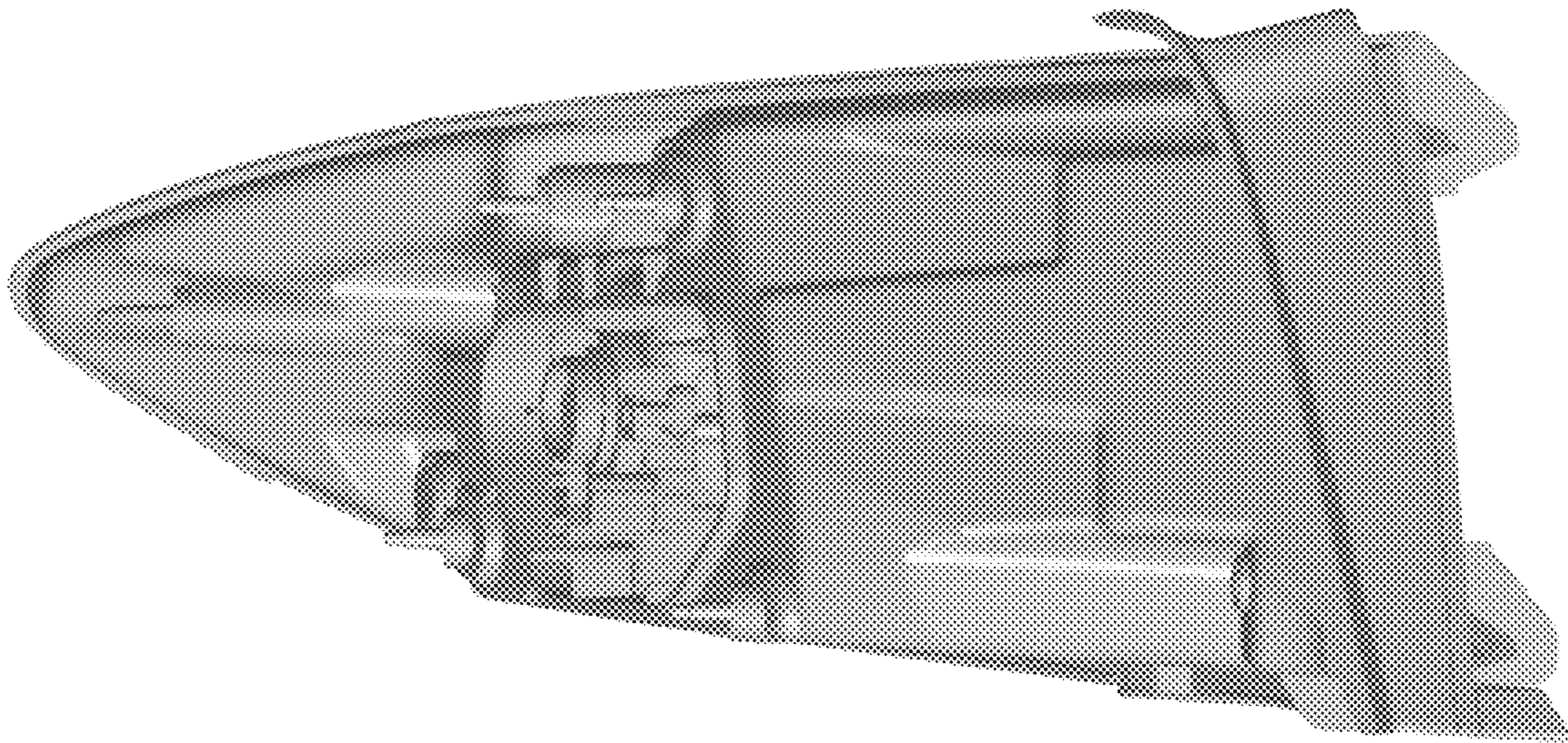
1.2



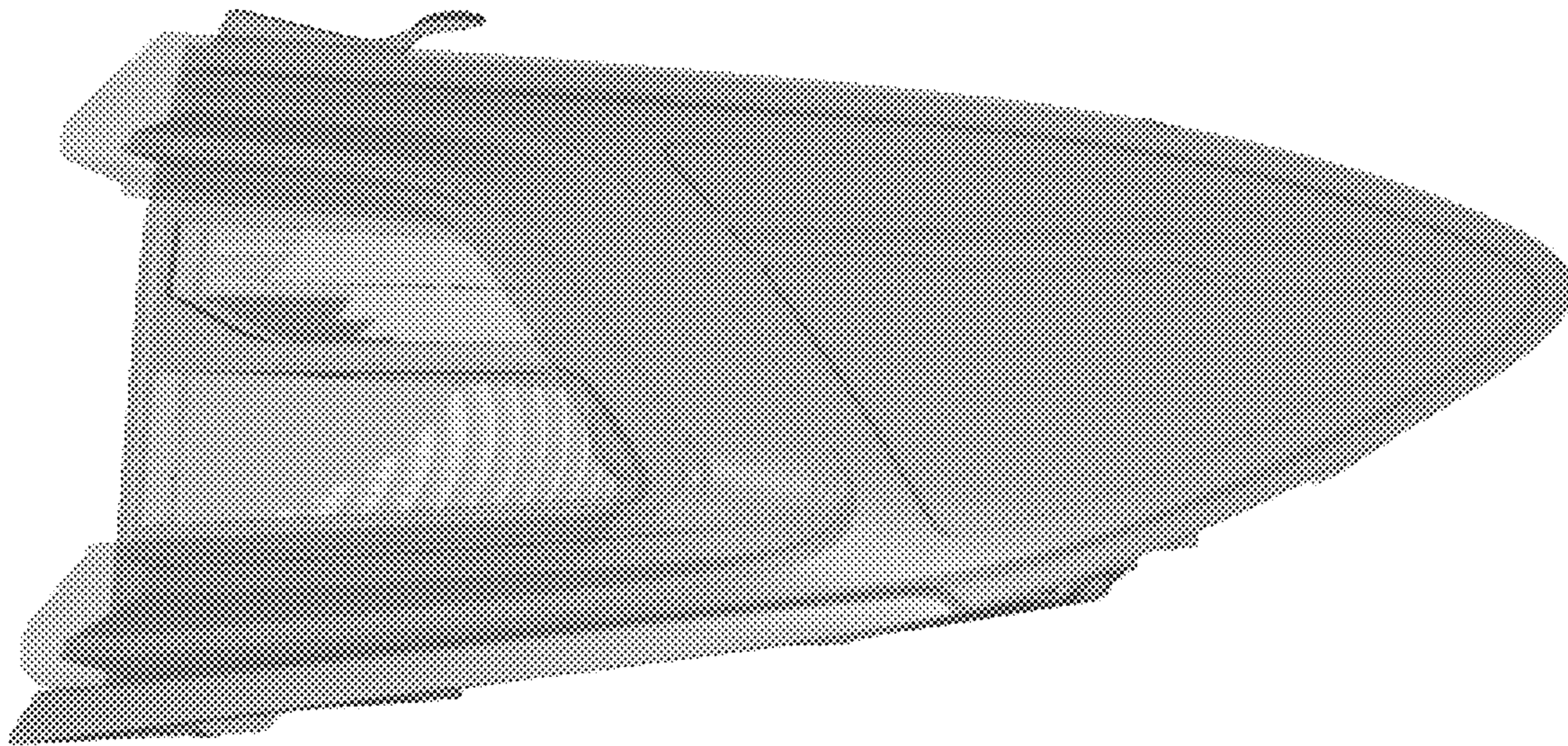
1.3



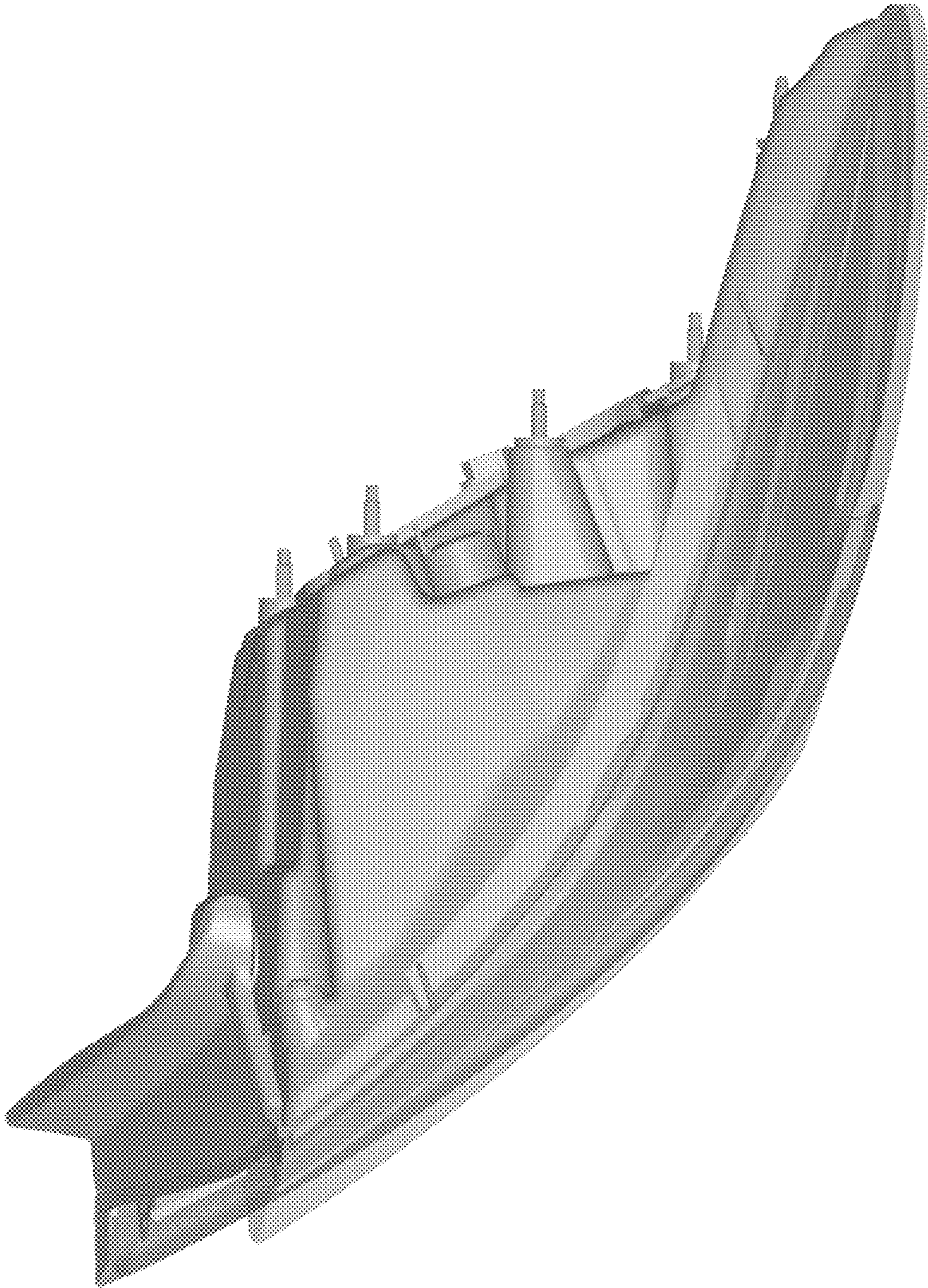
1.4



1.5



1.6



1.7

