

US00D822241S

(12) **United States Design Patent**
Lee et al.

(10) **Patent No.:** **US D822,241 S**
(45) **Date of Patent:** **** Jul. 3, 2018**

- (54) **HEADLIGHT FOR CARS**
- (71) Applicant: **HYUNDAI MOTOR COMPANY**,
Seoul (KR)
- (72) Inventors: **Soon-II Lee**, Seoul (KR); **Jung-Taik Hur**,
Yongin-si (KR)
- (**) Term: **15 Years**
- (21) Appl. No.: **35/502,533**
- (22) Filed: **Jan. 5, 2017**
- (80) **Hague Agreement Data**
Int. Filing Date: **Jan. 5, 2017**
Int. Reg. No.: **DM/094833**
Int. Reg. Date: **Jan. 5, 2017**
Int. Reg. Pub. Date: **Mar. 3, 2017**
- (30) **Foreign Application Priority Data**
Oct. 20, 2016 (KR) 30-2016-0050277
- (51) **LOC (11) Cl.** **26-06**
- (52) **U.S. Cl.**
USPC **D26/28**
- (58) **Field of Classification Search**
USPC D12/86, 90, 91, 92, 114, 163, 169, 171,
D12/172, 173, 181, 190, 196, 197, 199,
D12/400; D26/28-36
CPC .. B62J 6/02; B62J 6/00; B60Q 3/0279; B60Q
1/04; B60Q 1/0408; B60Q 1/0466; B60Q
1/2653; B60Q 1/28; F21S 48/00; F21S
48/10; F21S 48/115; F21S 48/1233; F21S
48/1266; F21S 48/1388; F21S 48/2268
See application file for complete search history.

- (56) **References Cited**
U.S. PATENT DOCUMENTS
D528,231 S * 9/2006 Ikeda D26/28
D529,208 S * 9/2006 Ikeda D26/28

D544,614 S *	6/2007	Markefka	D26/28
D545,980 S *	7/2007	Platto	D26/28
D658,321 S *	4/2012	Takeda	D26/28
D674,940 S *	1/2013	Lai	D26/28
D676,166 S *	2/2013	Lai	D26/28
D677,813 S *	3/2013	Hanaoka	D26/28
D706,471 S *	6/2014	Lai	D26/28
D707,865 S *	6/2014	Yoshida	D26/28
D718,893 S *	12/2014	Lai	D26/28
D720,870 S *	1/2015	Lim	D26/28
D721,450 S *	1/2015	Lai	D26/28
D739,578 S *	9/2015	Han	D26/28
D742,045 S *	10/2015	Futschik	D26/28
D746,495 S *	12/2015	Gorsten Schuenemann	..	D26/28
D747,821 S *	1/2016	Yoshida	D26/28
D761,463 S *	7/2016	Lai	D26/28
D761,986 S *	7/2016	Obatake	D26/28
D765,894 S *	9/2016	Lai	D26/28
D769,477 S *	10/2016	Gunnarson	D26/28
D779,090 S *	2/2017	Giolito	D26/28
9,676,320 B2 *	6/2017	Lyon	B60Q 1/0035
D796,715 S *	9/2017	Lin	D26/28
D797,332 S *	9/2017	Lin	D26/28
D801,564 S *	10/2017	Nakamura	D26/28
D801,567 S *	10/2017	Oh	D26/28

(Continued)

Primary Examiner — Darlington Ly

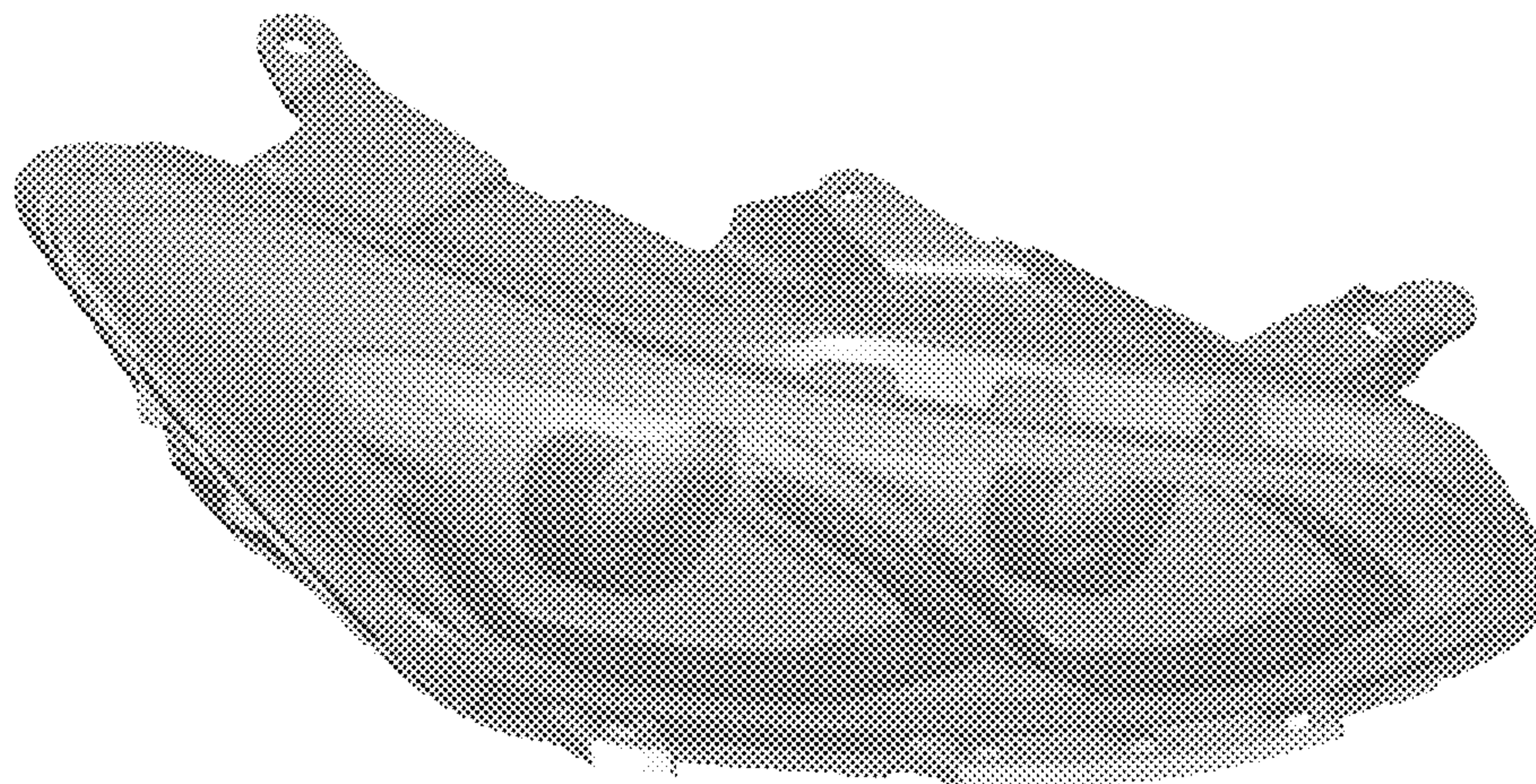
(57) **CLAIM**

The ornamental design for a headlight for cars, as shown and described.

DESCRIPTION

- 1. Headlight for cars
- 1.1 is a top, front, and left side perspective view of a headlight for cars showing our new design;
- 1.2 is a front elevation view thereof;
- 1.3 is a rear elevation view thereof;
- 1.4 is a left side elevation view thereof;
- 1.5 is a right side elevation view thereof;
- 1.6 is a top plan view thereof; and
- 1.7 is a bottom plan view thereof.

1 Claim, 7 Drawing Sheets



(56)

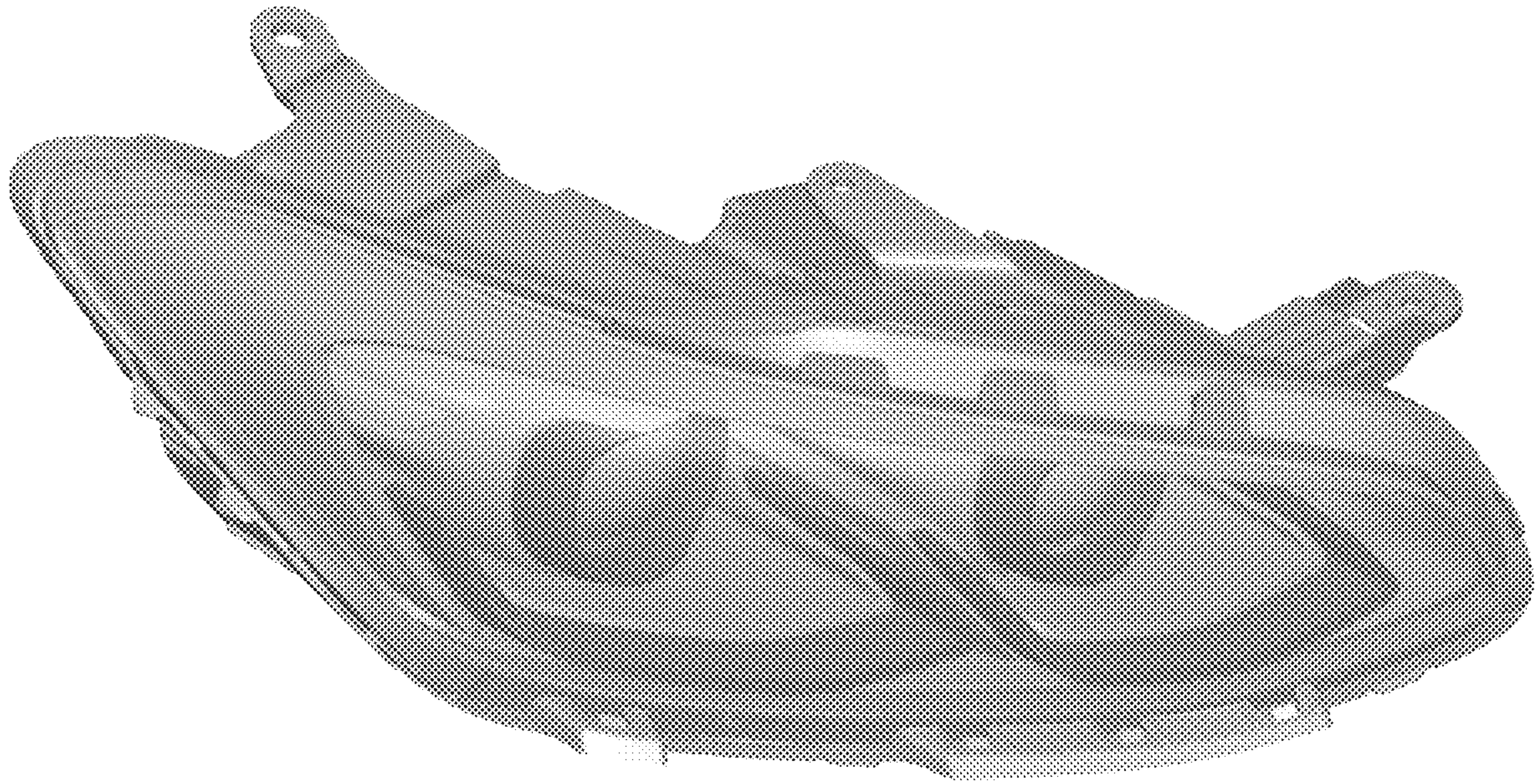
References Cited

U.S. PATENT DOCUMENTS

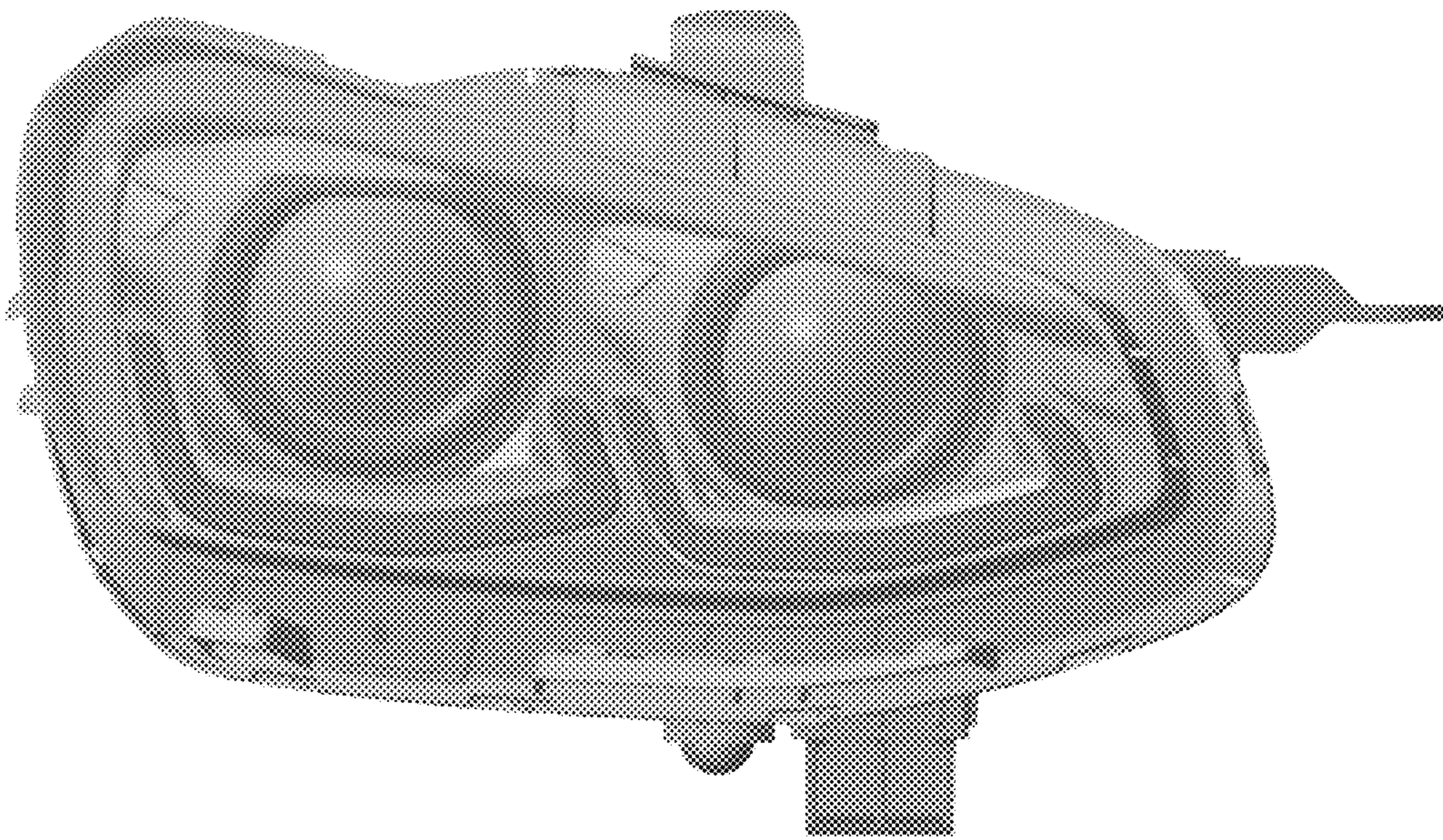
D802,181 S *	11/2017	Cartabiano	D26/28
D803,433 S *	11/2017	Yang	D26/28
D806,285 S *	12/2017	Kawakami	D26/28
D806,286 S *	12/2017	Kawakami	D26/28
2014/0192548 A1 *	7/2014	Kracker	F21S 48/1159 362/538

* cited by examiner

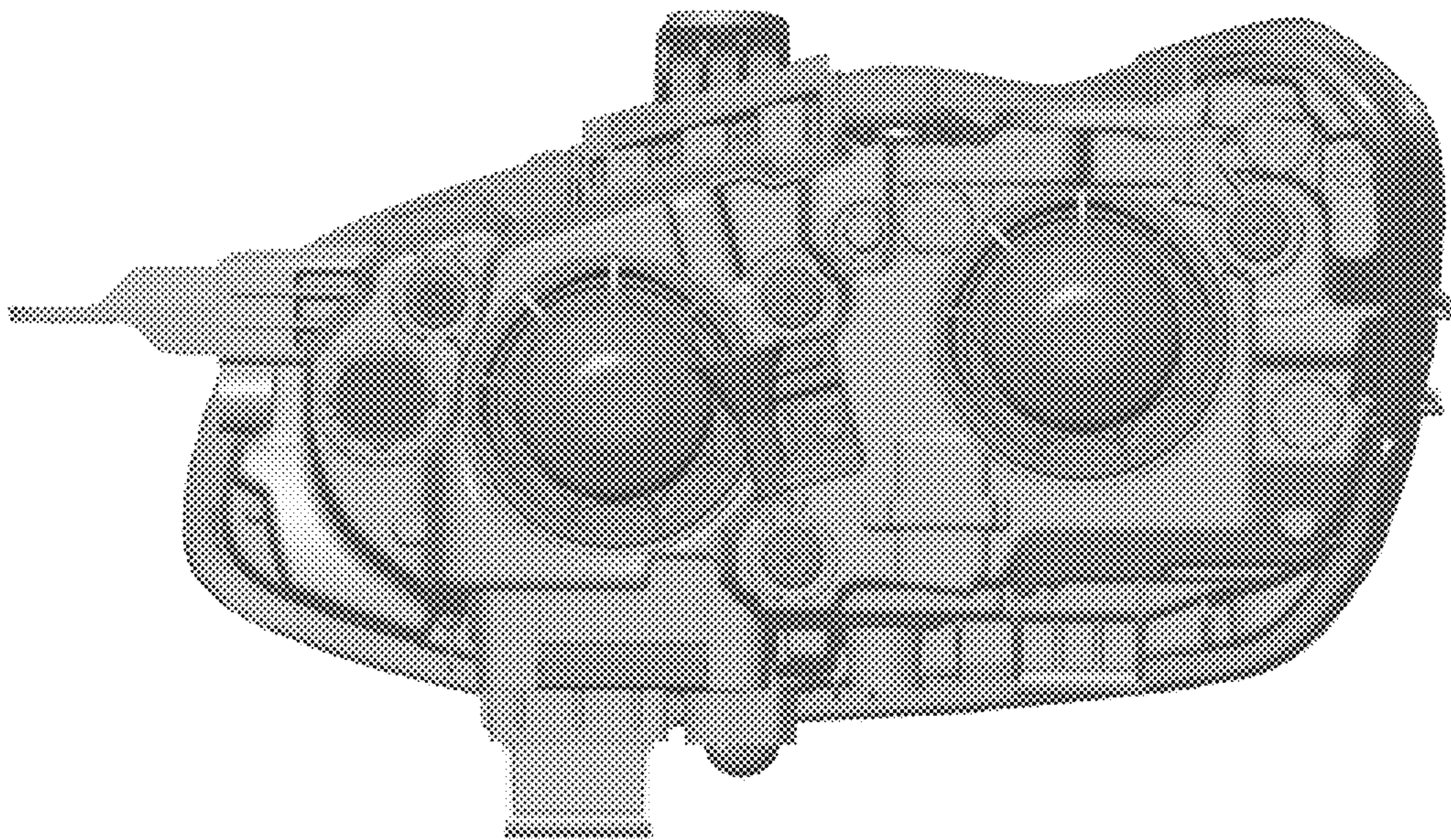
1.1



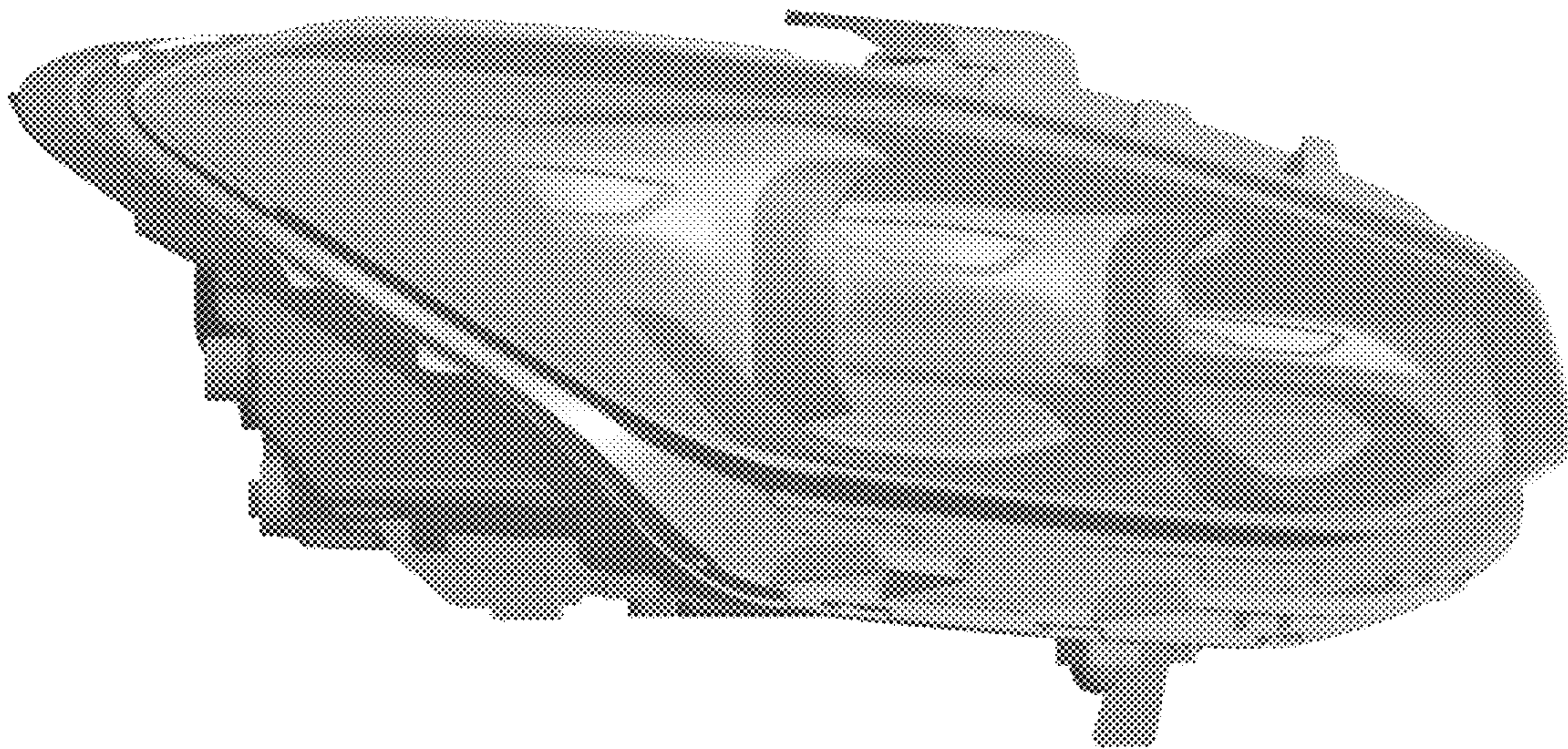
1.2



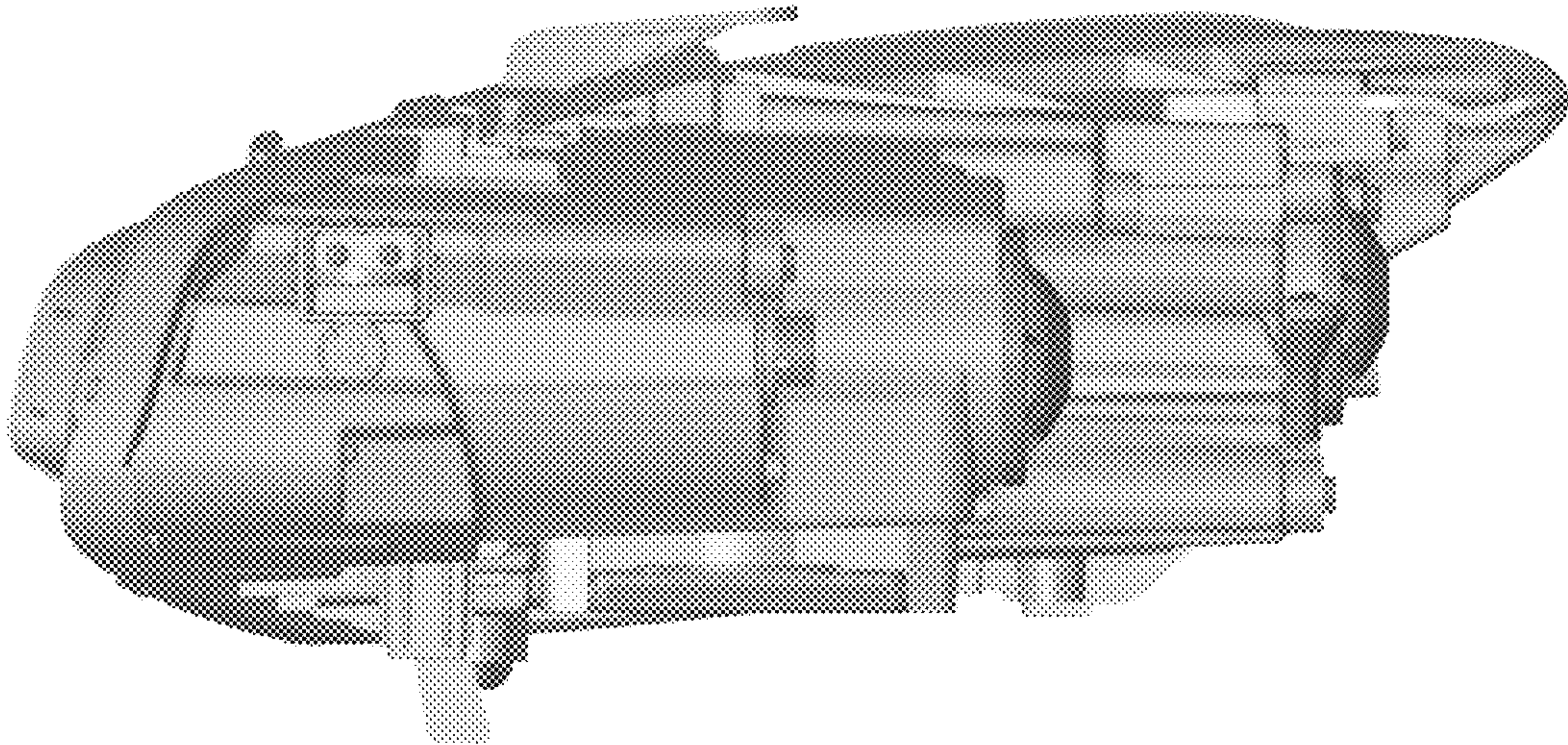
1.3



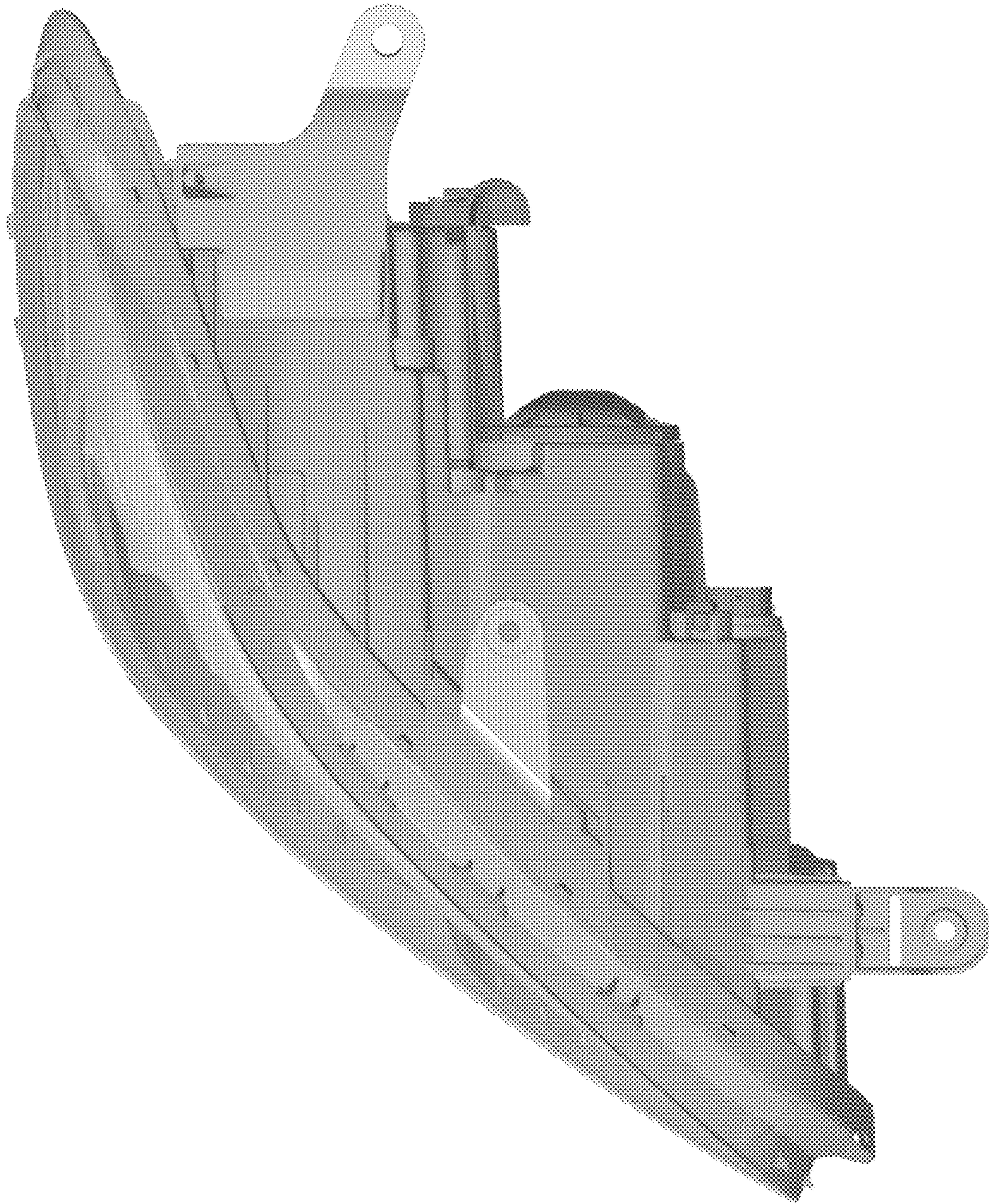
1.4



1.5



1.6



1.7

