



US00D822238S

(12) **United States Design Patent**
Deering et al.

(10) **Patent No.:** **US D822,238 S**
(45) **Date of Patent:** **** Jul. 3, 2018**

(54) **LAMP FOR A VEHICLE**
(71) Applicant: **J.W. SPEAKER CORPORATION**,
Germantown, WI (US)
(72) Inventors: **Eric J Deering**, Hartland, WI (US);
Scott G Klos, Grafton, WI (US)
(73) Assignee: **J.W. SPEAKER CORPORATION**,
Germantown, WI (US)

D626,670 S * 11/2010 Metzger D26/28
D657,081 S * 4/2012 Alisaukas D26/28
D670,839 S * 11/2012 Smarslik D26/28
D694,920 S * 12/2013 Jurgens D26/28

* cited by examiner

Primary Examiner — Marcus Jackson
(74) *Attorney, Agent, or Firm* — Quarles & Brady LLP

(**) Term: **15 Years**

(57) **CLAIM**
The ornamental design for a lamp for a vehicle, as shown
and described.

(21) Appl. No.: **29/601,923**
(22) Filed: **Apr. 27, 2017**
(51) **LOC (11) Cl.** **26-06**
(52) **U.S. Cl.**
USPC **D26/28**
(58) **Field of Classification Search**
USPC D26/28–36; 362/80–83, 267–269,
362/459–468, 475–478, 485–487
CPC F21S 48/00; F21S 48/10; F21S 48/115;
F21S 48/225; F21S 48/1233; F21S
48/1266; F21S 48/1388; F21S 48/2268;
F21V 21/04; B60Q 9/13; B60Q 9/135;
B60Q 9/1375
See application file for complete search history.

DESCRIPTION

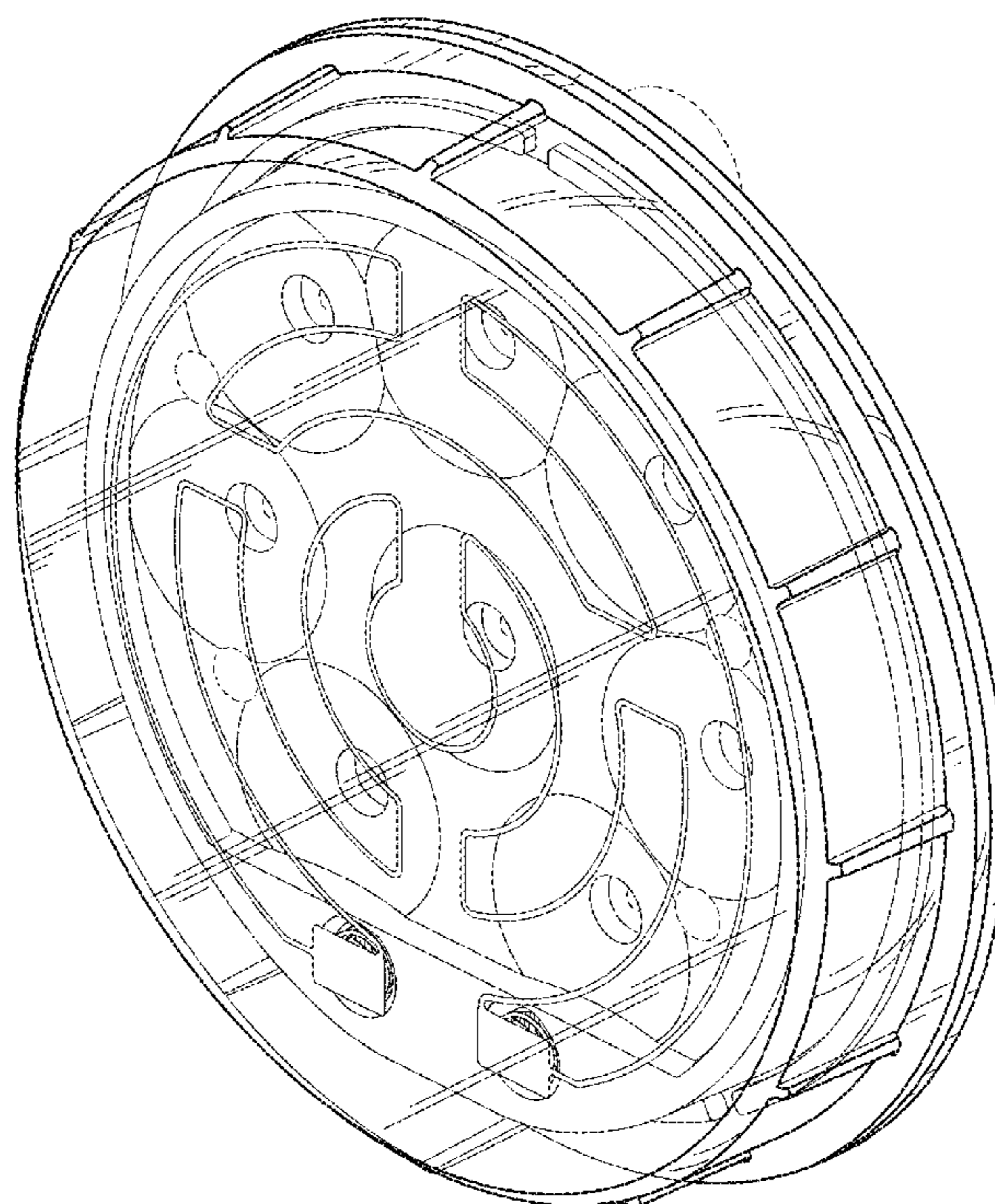
FIG. 1 is an isometric view of a top, right, and front side of
an ornamental design for a lamp for a vehicle.
FIG. 2 is a front elevational view of the lamp for a vehicle
of FIG. 1;
FIG. 3 is a right side elevational view of the lamp for a
vehicle of FIG. 1;
FIG. 4 is a left side elevational view of the lamp for a vehicle
of FIG. 1;
FIG. 5 is a top plan view of the lamp for a vehicle of FIG.
1;
FIG. 6 is a bottom plan view of the lamp for a vehicle of
FIG. 1; and,
FIG. 7 is a rear elevational view of the lamp for a vehicle of
FIG. 1.
The dash-dash broken lines are for the purpose of illustrating
unclaimed subject matter only and form no part of the
claimed design.
The nature of this product is a device for lighting, such as a
stop light or signal light for a vehicle.

(56) **References Cited**

U.S. PATENT DOCUMENTS

D601,727 S * 10/2009 Huang D26/28
D605,789 S * 12/2009 Ko D26/28

1 Claim, 5 Drawing Sheets



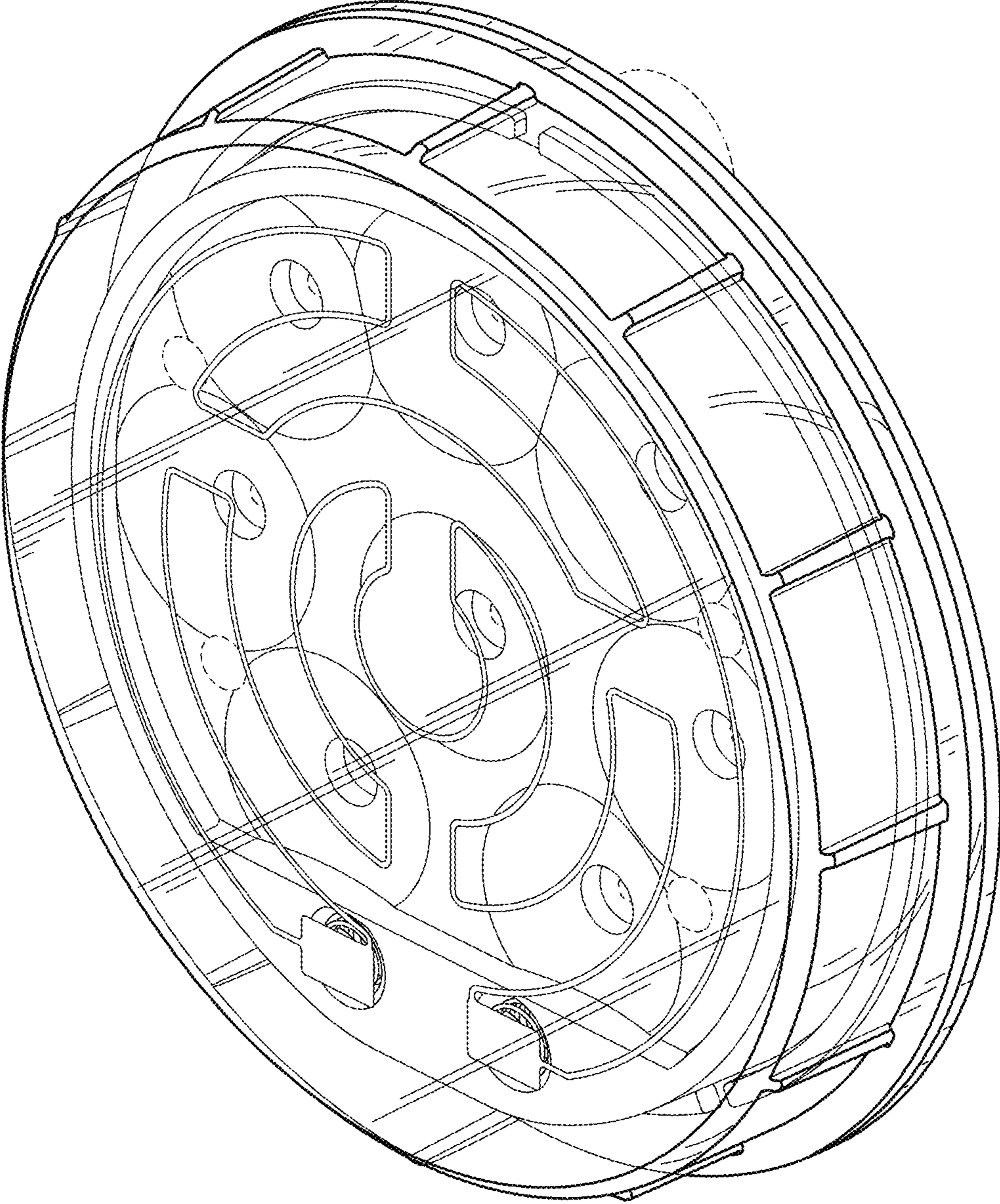


FIG. 1

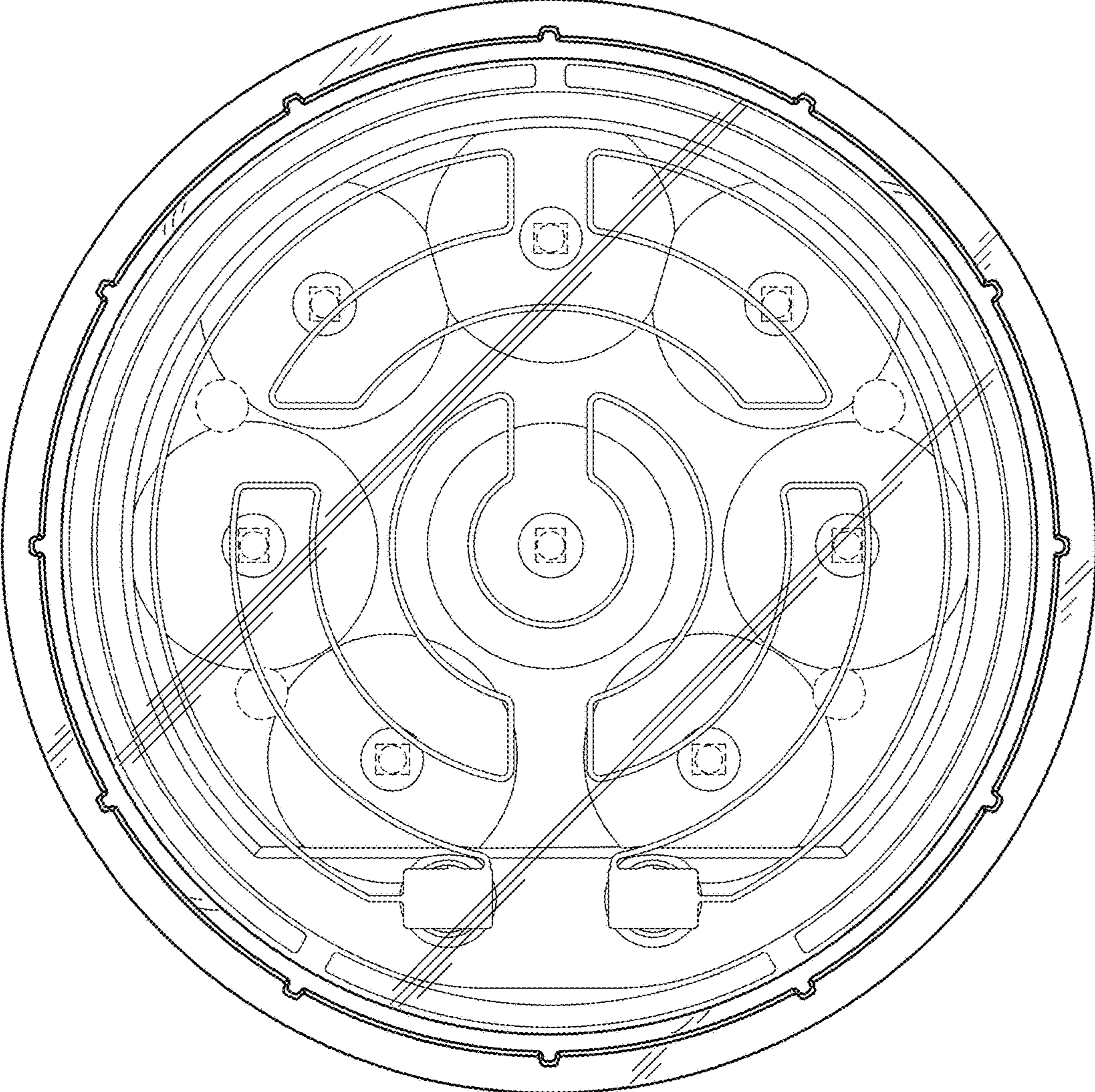


FIG. 2

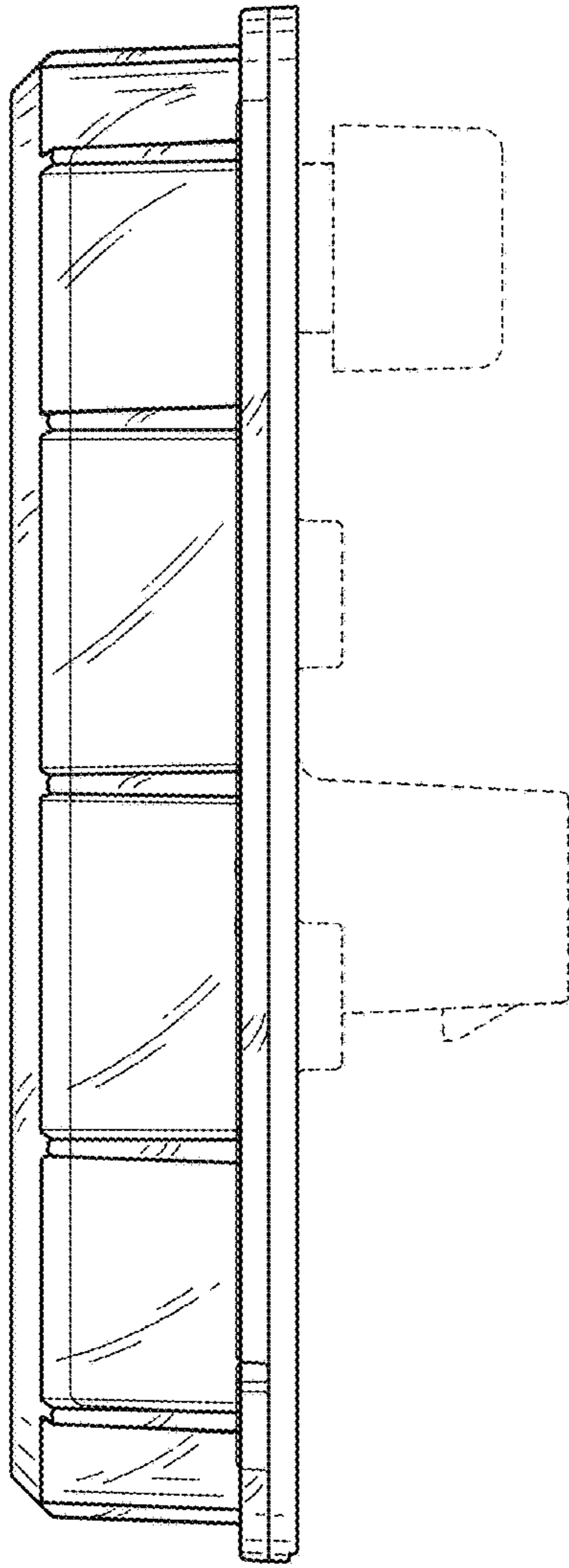


FIG. 3

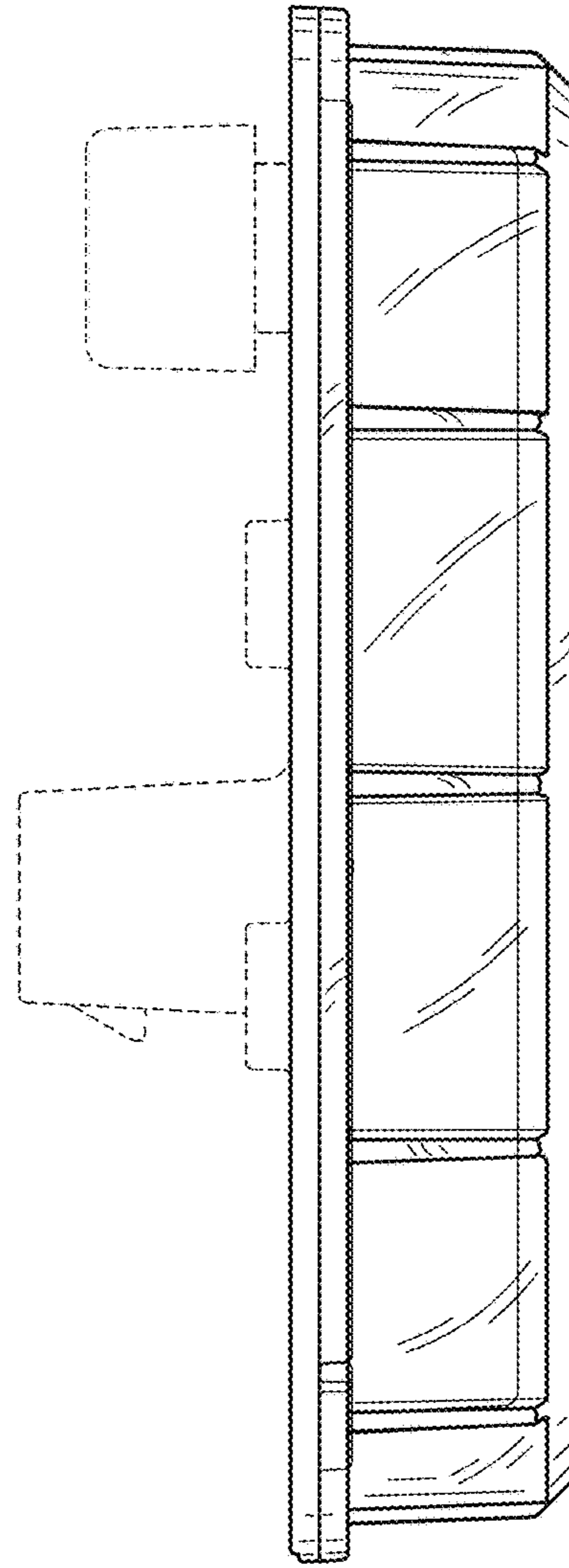


FIG. 4

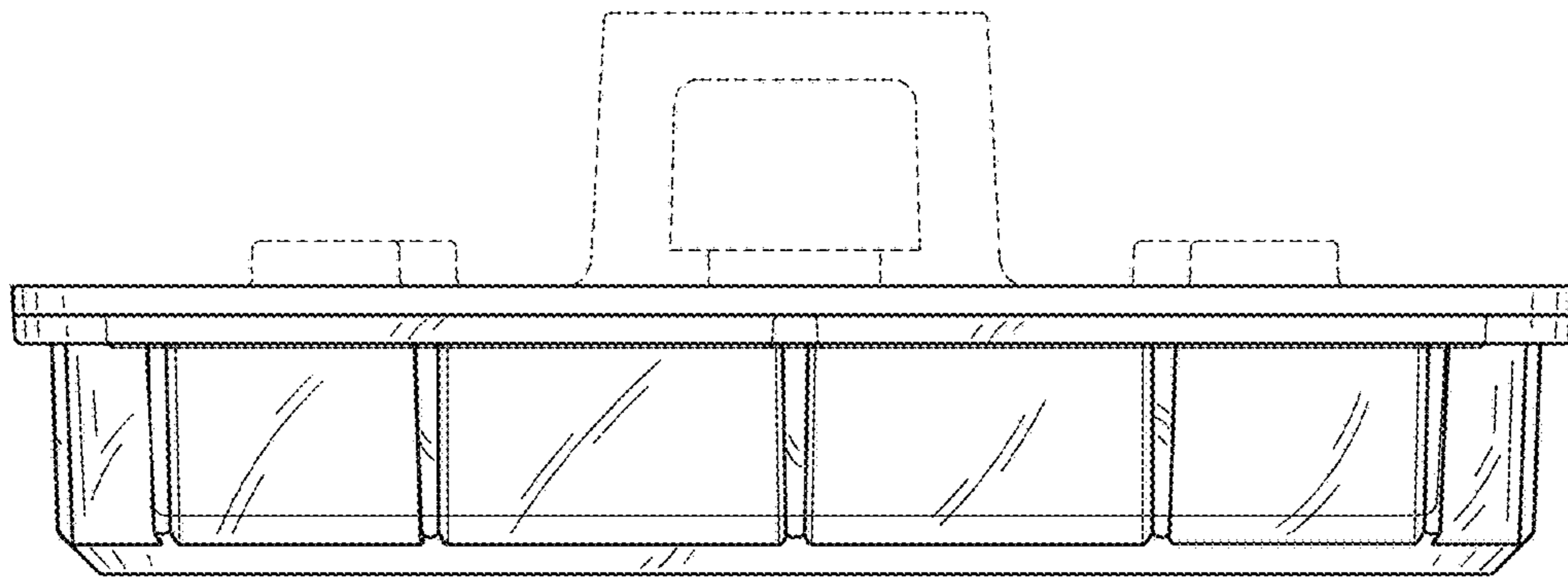


FIG. 5

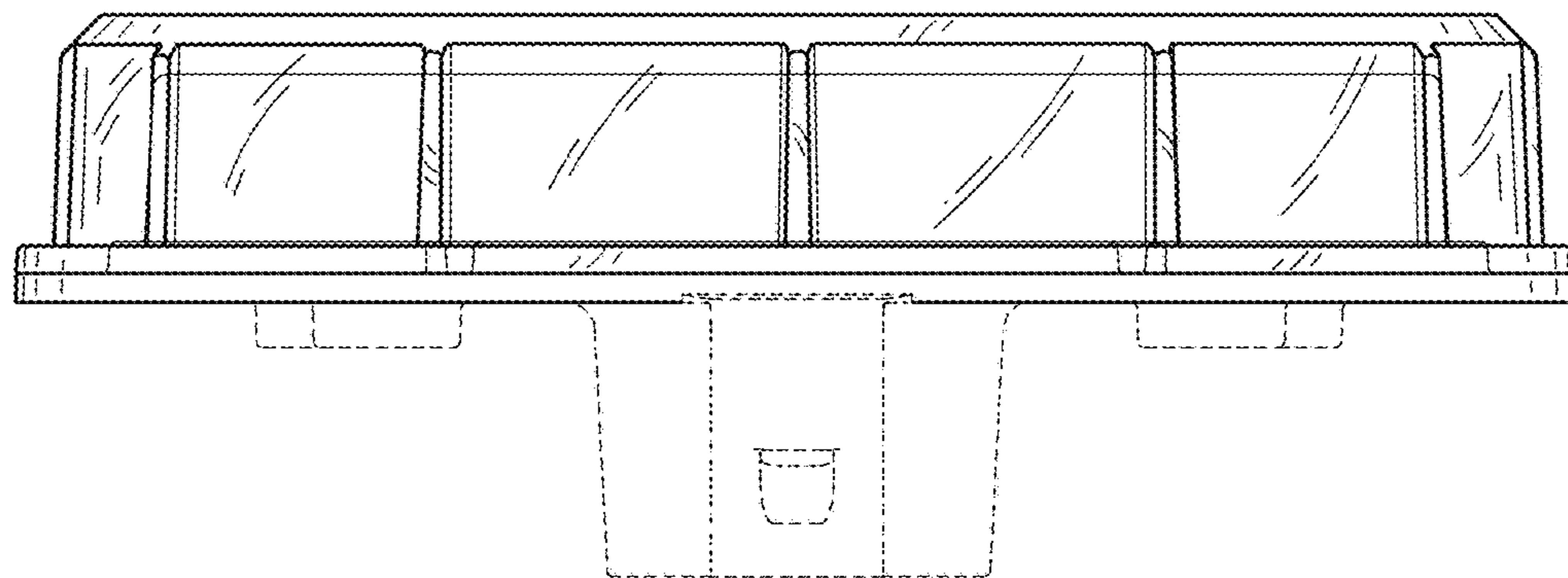


FIG. 6

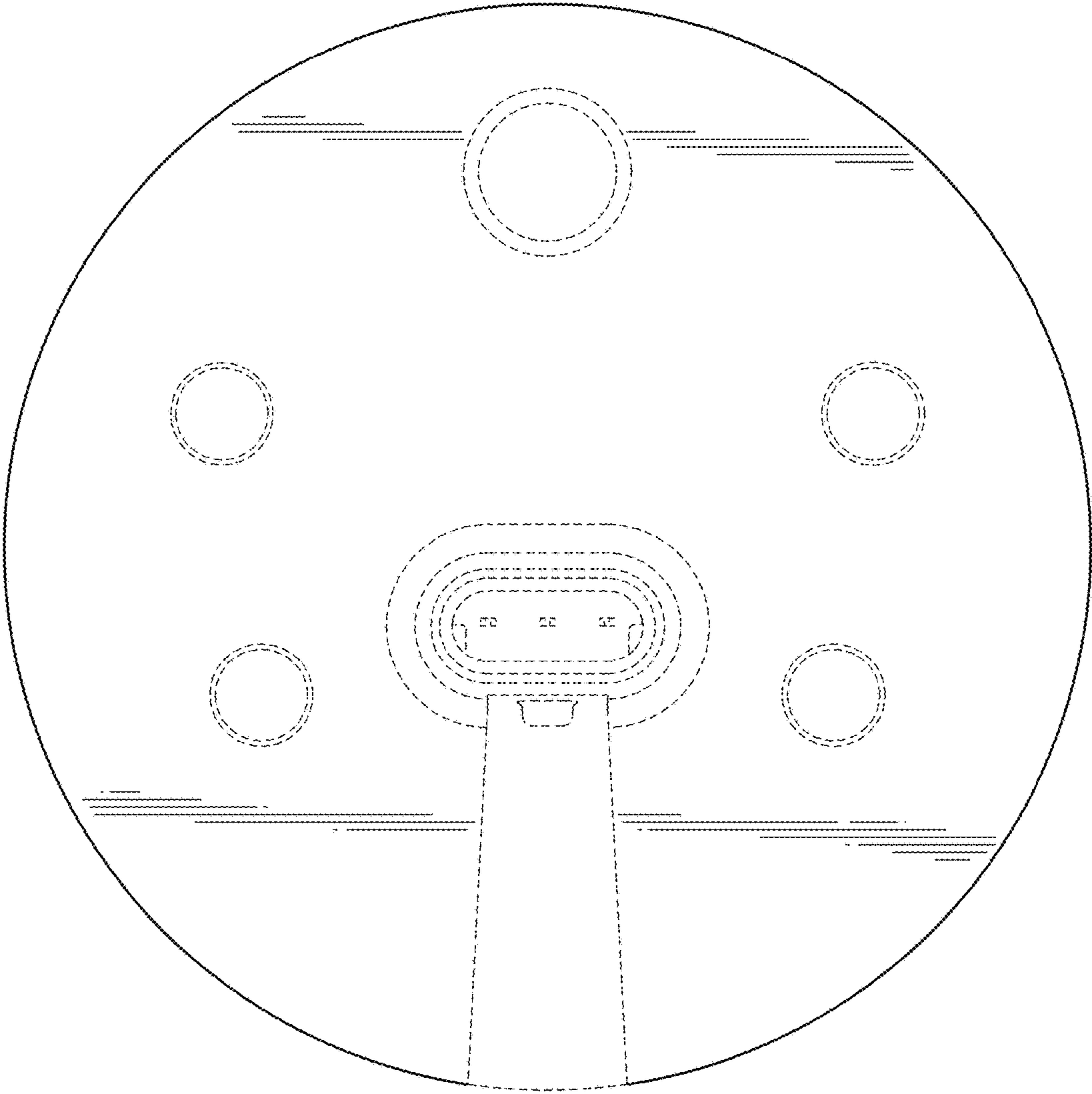


FIG. 7